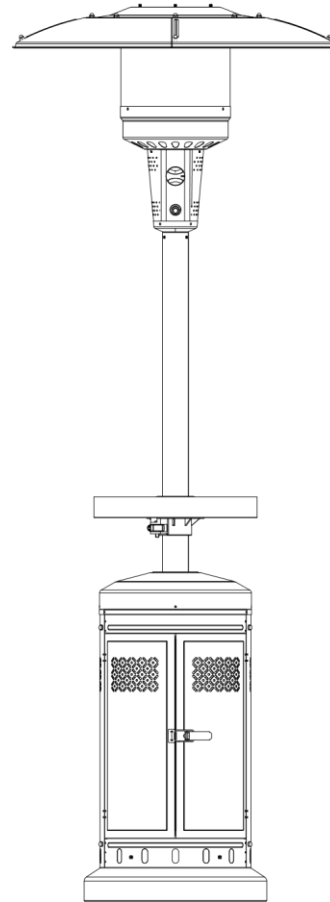




GAS PATIO HEATER WITH LED TABLE

MODEL NO.: PG188H



DANGER:

If you smell gas:

1. Shut off gas to the appliance.
2. Extinguish any open flame.
3. If odor continues, keep away from the appliance and immediately call your gas supplier or fire department.



WARNING:

Do not store or use gasoline or other flammable vapors and liquids in the vicinity of this or any other appliance.

An LP -cylinder not connected for use shall not be stored in the vicinity of this or any other appliance.



WARNING:

Improper installation, adjustment, alteration, service or maintenance can cause property damage, injury or death. Read the installation, operating and maintenance instructions thoroughly before installing or servicing this equipment.



WARNING:

For outdoor use only.

Call center for missing parts

855-242-6887

1-

IMPORTANT DO NOT RETURN

Question, problems, missing parts? Don't return the grill to stores, please call our customer service department at **1-855-CHANT-US (1-855-242-6887)** from 8:00am to 5:00pm Eastern time, Monday through Friday for assistance.

TABLE OF CONTENTS

Product Specifications.....	2
Safety Information.....	3
Package Contents.....	6
Hardware Contents.....	7
Assembly Preparation.....	7
Assembly Instructions.....	8
Safety Check.....	12
Operation Instructions.....	13
Care and Maintenance.....	14
Troubleshooting.....	16
Warranty.....	16
Replacement Parts list.....	17

PRODUCT SPECIFICATIONS

Product Specifications

Certification	CSA
Height Overall	86.60 inches
Reflector Diameter	31.50 inches
Rated Heat Input	48,000 BTU/HR
Fuel	Propane-LP
Gas Supply	20-Lb LP-Gas cylinder
Manifold Pressure	11 inches W.C
Injector Size (diameter)	2.14 mm



Safety Features	Thermocouple & Tilt Switch
Gas Supply Pressure	Max 150 PSI, Min 5 PSI

Manufacturer:

Guangdong Chant Group Inc.

No.42 Xiaolan Industrial Road South Zhongshan, Guangdong 528415, China Call center for missing parts 1-855-242-6887.

SAFETY INFORMATION

Please read and understand this entire manual before attempting to assemble, operate or install the product. If you have any questions regarding the product, please call customer service at: 1-855-CHANT-US (1-855-242-6887) from 8:00 am to 5:00 pm Eastern time, Monday to Friday.

1. The installation must conform with local codes or, in the absence of local codes, with the *National Fuel Gas Code, ANSI Z223.1 /NFPA 54, Natural Gas and Propane Installation Code, CSA B149.1, or Propane Storage and Handling Code, B149.2.*
2. Minimum clearance to the combustible materials is 3.61 ft(1100mm).
3. Perform a leak test with a soapy solution: (a) To check gas connections.
(b) After connecting a new cylinder.
(c) Upon re-assembly after disassembly.
Please refer to the leak test procedure indicated in this instruction manual on page 15. Replace the hose assembly prior to the appliance being put into operation if there is evidence of excessive abrasion or wear, or if the hose is damaged. The pressure regulator and hose assembly supplied with the appliance must be used .The replacement hose assembly/ regulator shall be that specified by the manufacturer.
4. If you don't feel the heater is on a stable surface, use a ground screw to fix the base of the heater on the surface where the heater is installed. Fix the base on an incline no wider than 15 degrees.
5. Place the propane hose with regulator assembly out of pathways where people may trip over it or in areas where the hose will not be subjected to accidental damage.
6. This heater is equipped with a battery-operated ignition device; please refer to the assembly instructions on page 10.
7. Materials or items when stored under the heater will be subjected to intense heat and could be seriously damaged.
8. Clothing or other flammable materials should not be hung on the heater, or placed on, under or near the heater.
9. Children and adults should be alerted to the hazards of high surface temperatures and should stay away to avoid burns or clothing ignition.
10. Young children should be carefully supervised when they are in the area of the heater .
11. Any guard or other protective device removed for servicing the heater must be replaced prior to operating the heater.

12. Installation and repair should be done by qualified service person, the heater should be inspected before use and at least annual by a qualified service person.
13. More frequent cleaning may be required as necessary. It is imperative that the control compartment, burners and circulating air passageways of the heater to kept clean.
14. Keep the appliance area clear and free from combustible materials, gasoline and other flammable vapors and liquids.
15. Do not obstruct the flow of combustion and ventilation air.



SAFETY INFORMATION

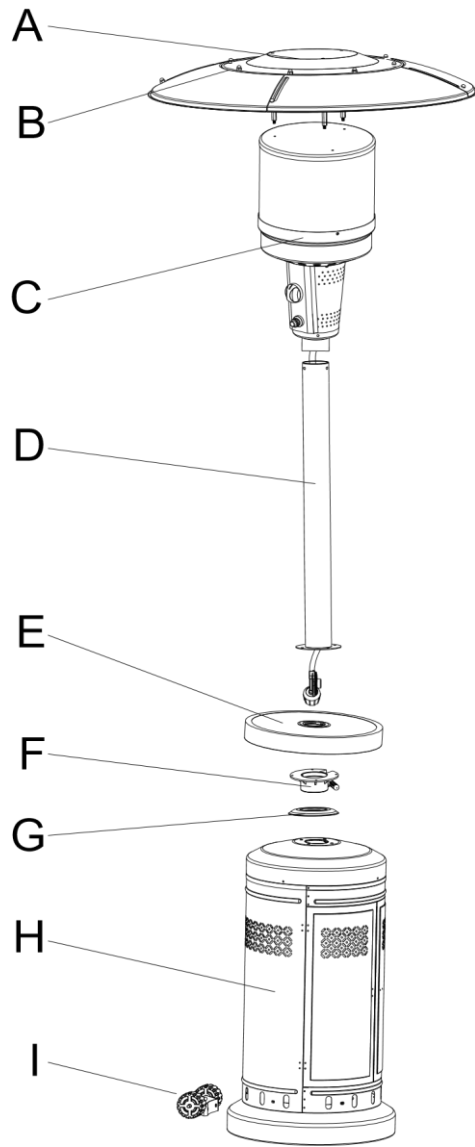
- ~~16. Keep the ventilation opening(s) of the cylinder enclosure free and clear from debris. Use this appliance in a well-ventilated space only. Do not use it in a building, garage, or any other enclosed area.~~
- Use this appliance in outdoor areas described below:
- (a) With walls on all sides, but at least one permanent opening at ground level and no overhead cover.
 - (b) Within a partial enclosure that includes overhead cover and no more than two walls. These walls may be parallel, or at right angles to each other.
 - (c) Within a partial enclosure that includes overhead cover and no more than two walls. The following shall apply:
 - (i) One wall that is equivalent to at least 25% of the total wall area is completely open.
 - (ii) 30% or more in total of the remaining wall area is open and unrestricted.
17. The LP-gas supply cylinder to be used must be:
- (a) Constructed and marked in accordance with the Specifications for LP-gas cylinders of the U.S. Department of Transportation of Dangerous Goods and Commission, CAN/CSA-B339, as applicable;
 - (b) Provided with a listed overfilling prevention device; and
 - (c) Provided with a cylinder connection device compatible with the connection for the appliance.
18. Disconnect the cylinder when the appliance is not in use.
19. Storage of an appliance indoors is permissible only if the cylinder is disconnected and removed from the appliance.
20. Store the cylinder outdoors in a well-ventilated area (not in a building, garage, or other enclosed area) out of the reach of children.
21. The cylinder used must include a collar to protect the cylinder valve.
22. Do not store a spare LP-gas cylinder under or near this appliance;
23. Never fill the cylinder beyond 80 percent full;
24. Place the dust cap tightly on the cylinder valve outlet whenever the cylinder is not in use. Install only the type of dust cap on the cylinder valve that is provided with the cylinder valve. Other types of caps or plugs may result in a propane leak.
25. Inspect the visible portion of the hose before each use of the appliance.
26. More frequent cleaning may be required as necessary. It is imperative that the control compartment, burners and circulating air passageways of the heater be kept clean.
27. Every part of the heater shall be secure against displacement and shall be constructed to maintain a fixed relationship between essential parts under normal and reasonable conditions of handling and usage. Parts not permanently secured shall be designed so they cannot be incorrectly assembled and cannot be improperly located or misaligned in removing or replacing during cleaning or other servicing.

SAFETY INFORMATION

28. CALIFORNIA PROPOSITION 65 WARNING:

- (a) Combustion by-products produced when using this product contain chemicals known to the State of California to cause cancer and birth defects or other reproductive harm.
- (b) Handling the brass material on this product exposes you to lead, a chemical known to the State of California to cause cancer and birth defects or other reproductive harm. Wash hands after handling.
- (c) This product contains chemicals, including lead and lead compounds, known by the State of California to cause cancer, reproductive harm, or other birth defects. **(d) Wash your hands after using this product.**

! PACKAGE CONTENTS



PARTS LIST

PART	DESCRIPTION	QUANTITY	PART	DESCRIPTION	QUANTITY
A	Top Dome	1	F	Support Assembly	1
B	KD Dome	4	G	Beauty Ring	1
C	Burner Assembly	1	H	Cylinder Housing Assembly & Base	1
D	Pole	1			

E	LED Table	1	I	Wheel Assembly	1
---	-----------	---	---	----------------	---

HARDWARE CONTENTS

	M8X15mm Bolt		X 2
	Wing Nut		X 3
	M8 Nut		X 2
	Battery		X 1
			X 4
	ST 3.9X12mm screw		X 12
	M5 X 8 Pan Head Bolt		X 12
	M5 X 8 mm Bolt		X 12
	M5 Nut		X 4
5	mm Washer		X 3
	M6X10 Hexagon Head Bolt		X 3
	M5 X 8 mm Pan Head Bolt		X 2

M5 X 8 Bolt
M5 X 8 Pan Head Bolt

Reflector Spacer

9V Battery

ASSEMBLY PREPARATION

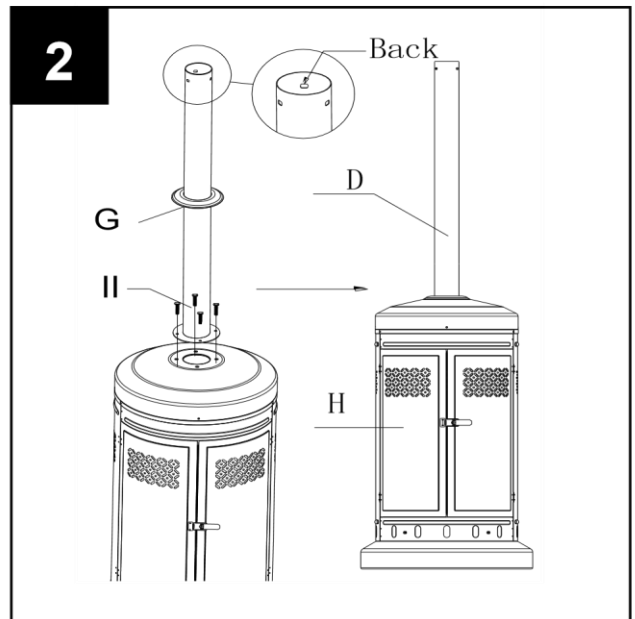
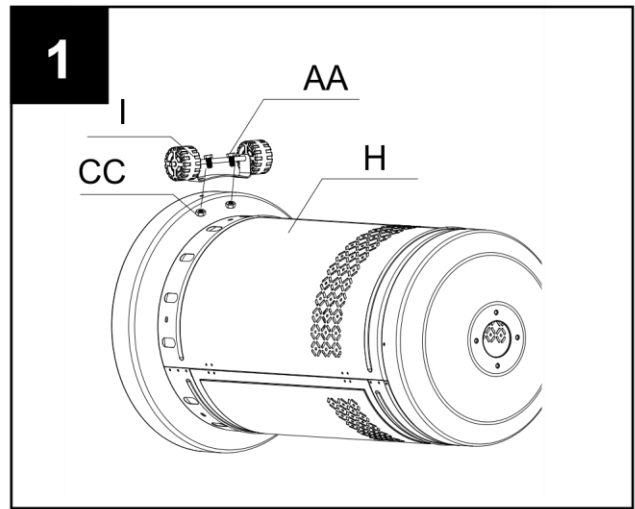
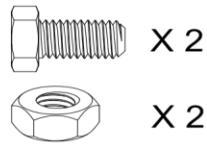
Before beginning assembly of product, make sure all parts are present. Compare parts with package contents list and diagram above. If any part is missing or damaged, do not attempt to assemble the product. Contact customer service for replacement parts.

Estimated Assembly Time: 30 minutes

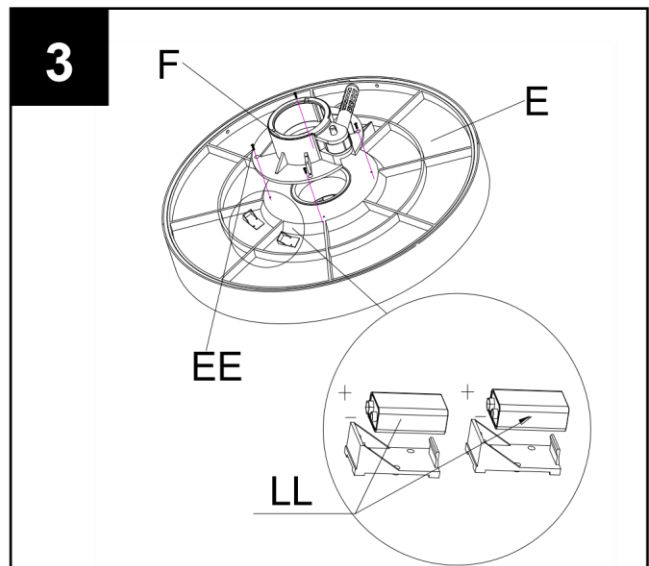
Tools required: Wrench, Magnetic Head Phillips Screwdriver (Not included)

ASSEMBLY INSTRUCTIONS

(H).



(F) to the bottom of Table (E) with ST3.9X12 mm Screw (EE), and then insert two 9V Batteries (LL) as shown.

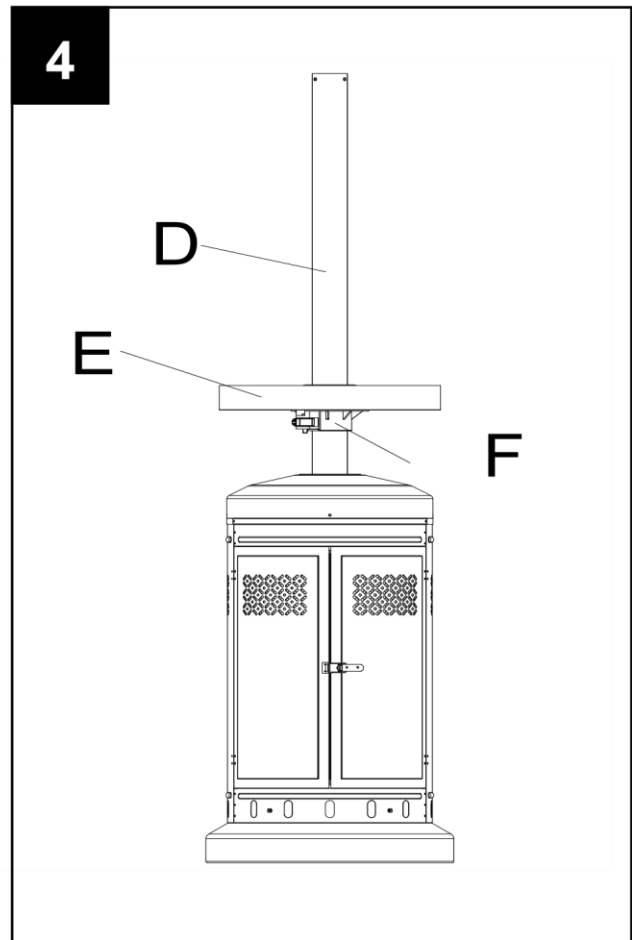


1. With the Cylinder Housing Assembly & Base (H) upside down, attach the Wheel Assembly (I) using M8 x 15 mm Bolts (AA) and M8 Nuts (CC).

4. Put the assembled Table (E) + (F) to Pole (D).

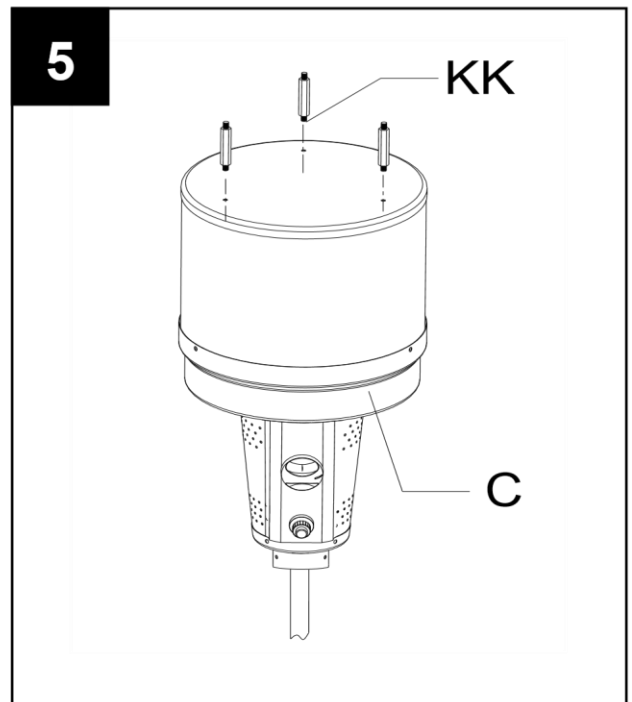
Note: When the Table (E) is well attached, please follow the steps below to adjust the height:

- a. Adjust the grip until it is vertical to the Pole.
- b. Adjust the height of the table as you like.
- c. Fix the position of the table by turning the grip clockwise.
- d. Turn until the grip is fixed.



5. Screw Reflector Spacers (KK) into the top of Burner Assembly (C).

 x 3



ASSEMBLY INSTRUCTIONS

6. Feed the valve and gas hose and connect the Burner Assembly (C) to the Pole (D).

6.1 Feed the valve and gas hose into and go through the Pole (D) 6.2 Align the screw holes and secure Burner Assembly (C) onto Pole (D) with M5 x 8 Pan Head Bolts (JJ).

Notes:

- a. Open the igniter cap by unscrewing the cap counterclockwise
- b. Take out the battery included in the pack with instruction manual.
- c. Insert the battery to the igniter.
- d. Screw the igniter cap back clockwise.

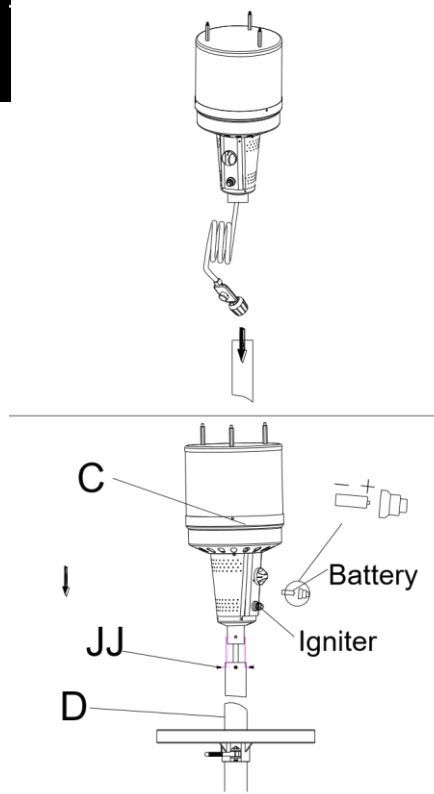


JJ M5X8 Pan Head Bolt



X3

6



7. Attach KD Domes (B) using M5 x 8 mm bolts (FF), M5 nuts (GG) and 5 mm washers (HH).

mm washers (HH). Then, complete dome assembly by attaching top dome (A) to KD domes (B) with M5 x 8 mm bolts (FF), M5 nuts (GG) and 5 mm washers (HH).

FF M5 X 8 mm



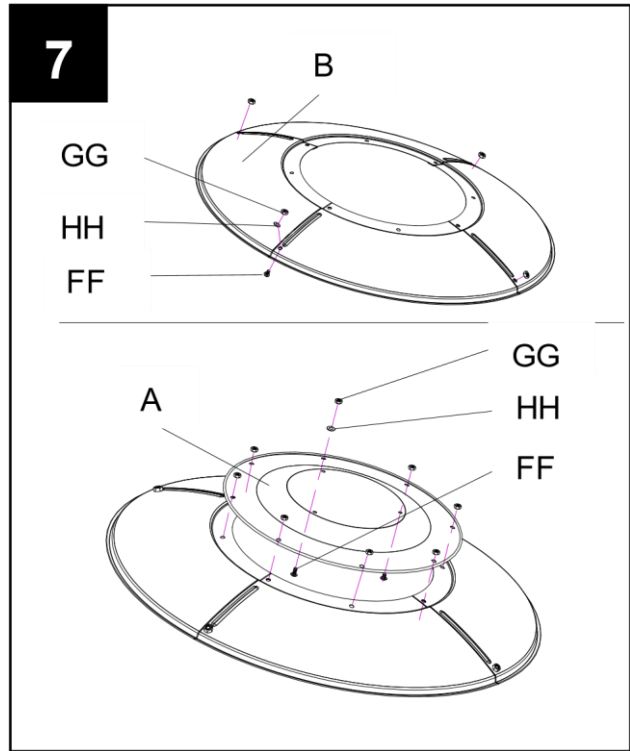
BoltX



GG M5 NutX 12

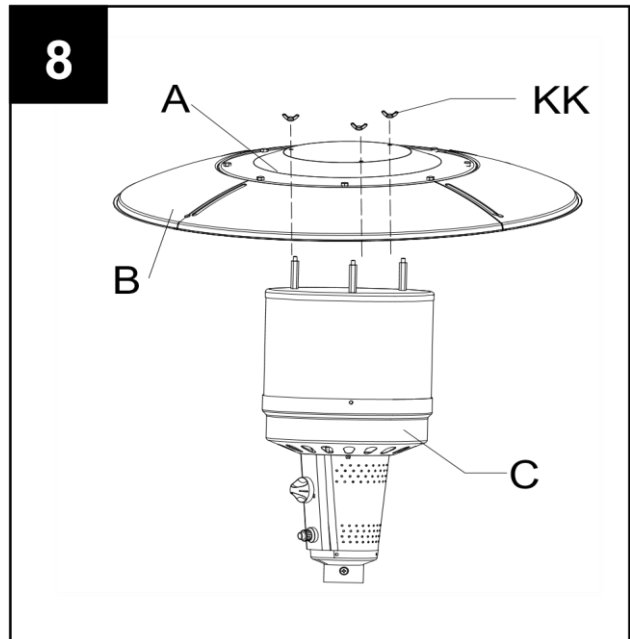
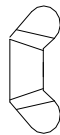
HH 5mm WasherX 12

ASSEMBLY INSTRUCTIONS



8. Attach dome assembly to Burner Assembly (C) by securing Wing Nuts (BB) to reflector spacers (KK).

BB Wing NutX 23



9. Connect Hose & Regulator Assembly (K) to 20lb.LP-gas cylinder (sold separately).

Line up threads on fitting with those on regulator and rotate clockwise until tighten. **HAND TIGHTEN ONLY. DO NOT USE ANY HAND TOOLS TO MAKE THIS CONNECTION.**

Be careful not to cross threads when screwing in fitting.

To disconnect the LP-Gas cylinder, first make sure the cylinder valve is "OFF".

Then, turn the knob on the regulator counterclockwise until it is loose.

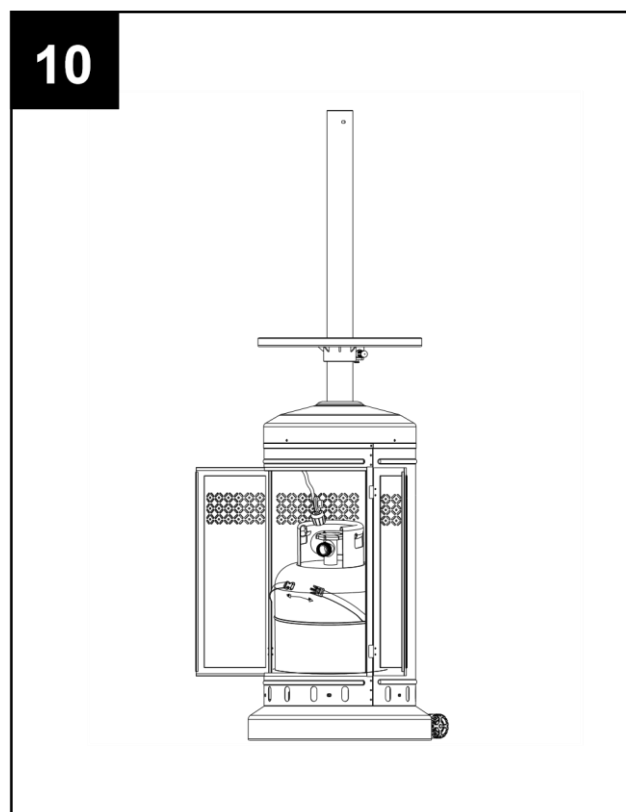
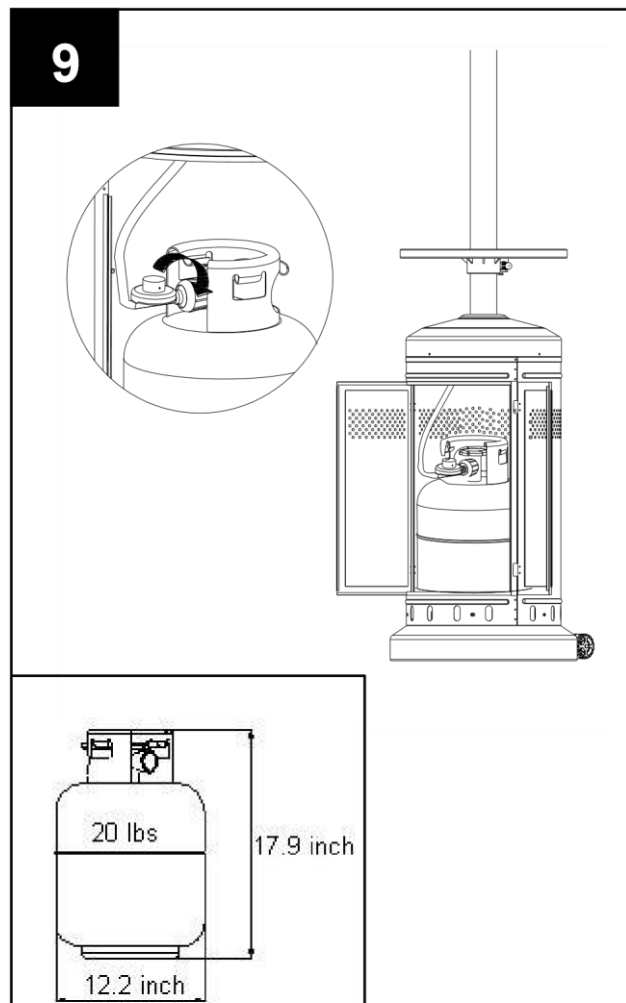
Warning:

Before connecting, be sure that there is no debris caught in the head of the LP gas cylinder head of the regulator valve or in the head of the burner and burner ports.

Check for leaks after connecting the gas cylinder every time according to the "Checking for Leaks" section on page 12.

ASSEMBLY INSTRUCTIONS

10. Attach strap inside of Cylinder Housing Assembly (H) to secure cylinder. Then, close door on Cylinder Housing Assembly (H) to complete installation.

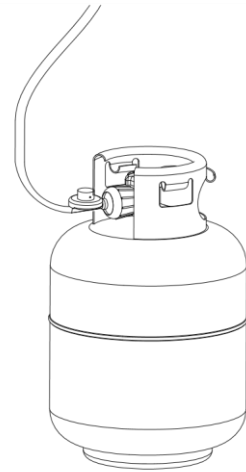


SAFETY CHECK

Checking for Leaks

Your patio heater has been checked at all factory connections for leakage. To check the connection at the gas hose/regulator/cylinder:

- a. Make leakage solution by mixing 1 part liquid dish soap and 3 part water.
- b. Spoon or brush several drops (or use squirt bottle) of the solution onto the gas hose/regulator and regulator/cylinder and hose connection.
- c. Turn on gas cylinder valve. Inspect the connections and look for bubbles.
- d. If no bubbles appear, the connection is safe.
- e. If bubbles appear, there is leakage. Loosen and re-tighten this connection. If it still leaks, please call customer service at: 1-855-CHANT-US (1-855-242-6887).



OPERATION INSTRUCTIONS

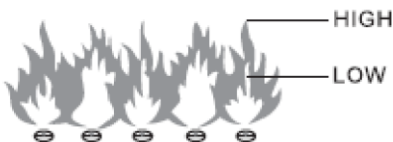
Lighting Instruction

1. Ensure that the LP gas tank valve is OFF.
2. Push the control knob in, turn to **OFF**, and wait 5 minutes for any gas to clear.
3. Turn the LP tank valve ON.
4. Push control knob in and rotate to **PUSH**. Then push the igniter button and control knob and repeat until the burner lights and hold control knob in for 30 seconds and then release. If the burner fails to remain lit or becomes extinguished, repeat step 4 before attempting to relight.
5. Turn the control knob from **LOW** to **HIGH** to the desired heat setting.

Note:

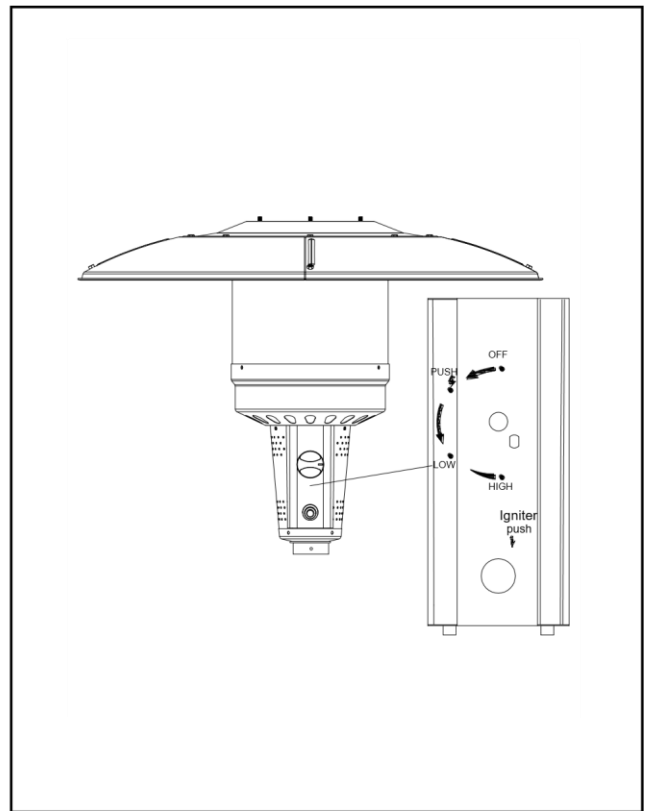
Visually check the burner flame against the illustrations below:

Flame should be blue with slight yellow tips. You should see a smaller flame in LOW position than seen on HIGH. Perform flame check prior to each use. If only low flame is seen, refer to "Burner flame is low" in the "TROUBLESHOOTING" on page 16.



For complete shutdown

1. Please turn the knob to **PUSH** first, then push and turn to **OFF** for complete shut off.
2. Turn the LP gas tank valve OFF before removing the LP gas tank.



OPERATION INSTRUCTIONS

In any case of failure of normal ignition, please use the Lighter gun (Sold Separately) to reach the burner for ignition through the hole on the bottom of burner diffuser.

WARNING

FOR YOUR SAFETY:

If at any time you are unable to light burner and smell gas, wait 5 minutes to allow gas to dissipate before attempting to light heater.

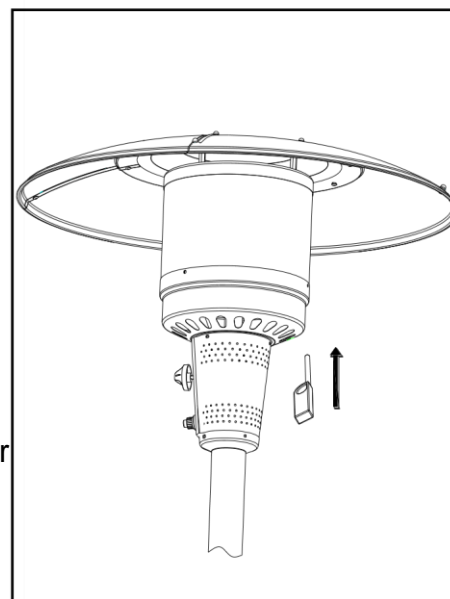
WARNING

FOR YOUR SAFETY:

DO NOT touch or move heater for at least 45 minutes after use. Allow emitter and dome to cool before touching.

CAUTION:

Avoid inhaling fumes emitted from the heater's first use. Smoke and odor from the burning of oils used in manufacturing will appear. Both smoke and odor will dissipate after approximately 30 minutes. The heater should NOT produce thick black smoke.



CARE AND MAINTENANCE

- Abrasive cleaners will damage this product.
- Never use oven cleaner to clean any part of heater
- Do not clean any heater part in a self-cleaning oven. The extreme heat will damage the finish.
- More frequent cleaning may be required as necessary. It is imperative that control compartment, burners and circulating air passageways of the heater be kept clean.
- Spiders and insects can create a dangerous condition that may damage heater or make it unsafe. Keep burner area clean of all spiders, webs or insects. Clean burner holes by using a heavy-duty pipe cleaner. Compressed air may help clear away smaller particles.
- Inspect heater before each use.
- Have heater inspected annually and repairs should be made by a qualified service person
- Check heater immediately if any of the following conditions exist:
 - a. The smell of gas in conjunction with extreme yellow tipping of burner flames
 - b. Heater does not reach proper temperature.
 - c. Heater's glow is excessively uneven.
 - d. Burner makes popping noises during use.

Note: A slight pop is normal when burner is extinguished.

- Carbon deposits may create a fire hazard. Keep dome and emitter clean at all times.
- Do not clean heater with combustible or corrosive cleaners. Use warm, soapy water.
- Do not paint engine, engine access panel or dome.
- This heater should be thoroughly cleaned on a regular basis.
- After a period of storage and/or no use, check for leaks, burner obstructions and inspect for any abrasion, wear, cuts to the hose.

CARE AND MAINTENANCE

Cleaning

- Wipe surfaces clean with mild dish detergent or baking soda.
- For stubborn surfaces use a citrus-based degreaser and a nylon scrubbing brush.
- Rinse clean with water.

Note: While cleaning the unit, be sure to keep the area around the burner and pilot assembly dry at all times. Do not submerge the control valve assembly. If the gas control is submerged in water, do NOT use it. It must be replaced.

TIP: Use high-quality automobile wax to help maintain the appearance of the heater.

Apply to exterior surfaces from the pole down. Do not apply to emitter screen or domes

Maintenance

- Keep exterior surfaces clean.
- Air flow must be unobstructed. Keep controls, burner and circulating air passageways clean.

Signs of possible blockage include:

Gas odor with extreme yellow tipping of flame.

Heater does NOT reach the desired temperature.

Heater glow is excessively uneven. Heater makes popping noises.

Note: In a salt-air environment (such as near an ocean) corrosion occurs more quickly than normal. Frequently check for corroded areas and repair them promptly.

Storage

Between uses or during periods of extended inactivity:

- Turn control knob to "OFF".
- Disconnect LP cylinder and move to a secure, well-location outdoors.
- Store heater upright in an area sheltered from direct contact with inclement weather (such as rain, sleet, hail, snow, dust and debris).

Note: Never leave LP gas tank exposed to direct sunlight or excessive heat.

- If desired, use cover (sold separately) to protect the heater and help prevent buildup in air passages.

CAUTION: Wait until heater is cool before covering.

TROUBLESHOOTING

Problem	Possible Cause	Corrective Action
Burner won't light	Gas pressure is low. The orifice is blocked. Control knob is not in "High" position.	Turn tank valve "OFF" and replace the tank Clear blockage. Turn control knob to "ON"
Burner flame is low	Gas pressure is low. The control knob is not positioned at "High". The burner jet may be partially blocked. Outdoor temperature is less than 40°F and tank is less than 1/4 full. Supply hose is bent or kinked.	Turn tank valve "OFF" and replace the tank. Position the control knob at "High" Clear blockage. Use a full tank. Straighten the hose.
Carbon build-up	Build-up of carbon can accumulate over time.	Wipe off before lighting.
Thick black smoke	Blockage in burner	Remove blockage and clean burner inside and outside.

If problems cannot be corrected by using these methods, please contact 1-855-CHANT-US (1-855-242-6887) for assistance.

1-YEAR LIMITED WARRANTY

The appliance has been manufactured under the highest standards of quality and workmanship. We warrant to the original consumer / purchaser that all aspects of this product will be free of defects in material and workmanship for one (1) year from the date of purchase. A replacement for any defective part will be supplied free of charge for installation by the consumer. Defects or damage caused by the use of other than genuine parts are not covered by this warranty. This warranty shall be effective from the date of purchase as shown in the purchaser's receipt. This warranty is valid for the original consumer purchaser only and excludes industrial, commercial or business use of the product, product damage due to shipment or failure which results from alteration, product abuse, or product misuse, where performed by a contractor, service company, or consumer. We will not be responsible for labor charges and/or damage incurred in installation, repair or replacement, nor for incidental or consequential damage. This warranty gives you specific legal rights, and you

may also have the other rights that vary from state to state.

REPLACEMENT PARTS LIST

For replacement parts, call our customer service department at 1-855-CHANT-US (1-855-242-6887), 8 a.m. - 8 p.m., EST, Monday - Friday.

PART	DESCRIPTION	PART #
A	Top Dome	5007755
B	KD Dome	5007756
C	Burner Assembly	188H005
C1	Burner Chamber Assembly	5206424
C2	Thermocouple	2409043
C3	Ignition Pin	2409604
C4	Tilt Switch	2310662
C5	Control Knob	2409034
C6	Igniter	2408276
C7	Control Panel	5209284
D	Pole	5209287
E	LED Table	188H006
E1	Glass Assembly	188H002
E2	LED Assembly	188H003
F	Table Support Assembly	188H004
G	Beauty Ring	5209286
H	Cylinder Housing Assembly	188H007
I	Wheel Assembly	188H008
J	Base	5209295
K	Shroud Fix Bracket	5203158
L	Weight Plate	2307153
M	Hardware Pack	5209297

