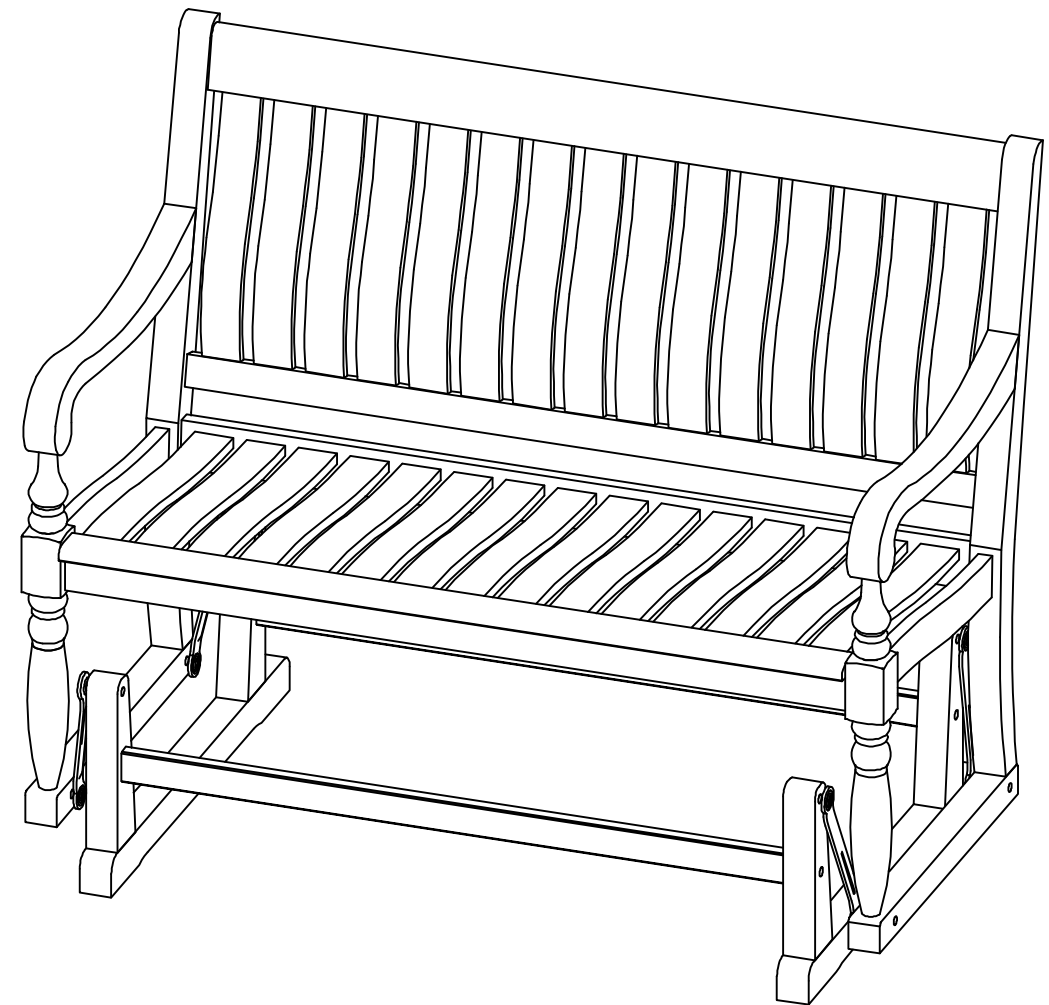




Assembly Manual

4 Foot Glider Bench

Model Number: TM130837



**THIS ASSEMBLY MANUAL CONTAINS IMPORTANT SAFETY INFORMATION.
PLEASE READ AND KEEP FOR FUTURE REFERENCE.**

Questions or Comments?

We would love to hear about your Member's Mark experience! Visit us at:
samsclub.com/membersmarkhelp

Important Safety Information

- *Please read all instructions carefully before assembling this furniture.*
 - *For your safety, assembly by two or more adults is strongly recommended.*
 - *Use only vendor-supplied hardware to assemble this item. Using unauthorized hardware could jeopardize the structural integrity of the item.*
 - *Hardware may loosen overtime. Periodically check that all connections are tight.*
-

Before Assembly

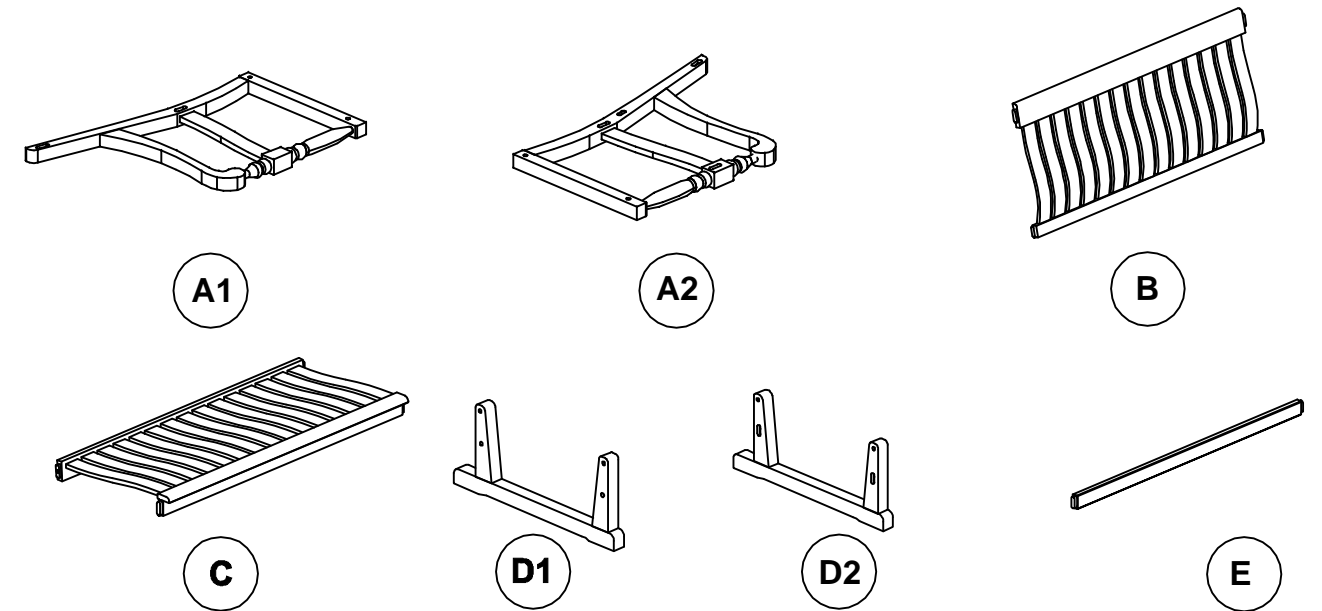
- *Remove all parts and hardware from the box. Place all items on a carpeted or scratch-free work surface, as this will avoid damaging parts during assembly.*
 - *The shipping box provides an ideal work surface.*
 - *To avoid accidentally discarding small parts or hardware, do not dispose of any packaging or contents of the shipping carton until assembly is complete.*
 - *Use the parts and hardware lists below to identify and separate each of the pieces included.*
 - *The use of power tools for assembly is not recommended. Power tools can damage the hardware and/or split the wood.*
 - *Note: Do not fully tighten all bolts until all parts are in place. Failure to follow these instructions may cause the bolts to misalign during assembly.*
-

Care & Maintenance :



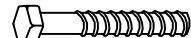


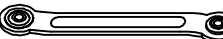

- *To increase the item lifespan, avoid leaving the furniture in standing water or indirect contact with wet ground.*
 - *Cover or move the furniture into covered storage during inclement weather and during winter months.*
 - *Clean periodically with soft flannel cloth, slightly dampened with a mild soap solution and warm water. DO NOT use abrasive material, bleach or scouring products as this will affect the finish. Dry thoroughly with soft cloth.*
-

Component

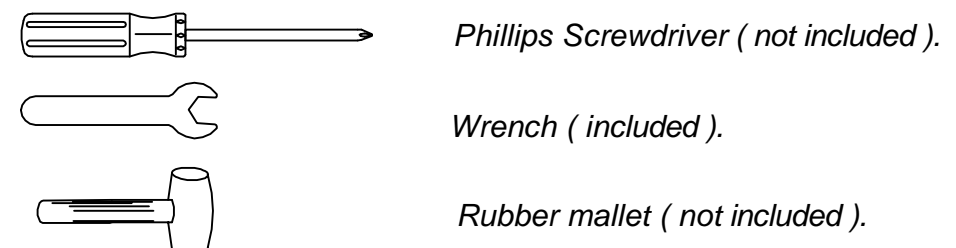
A1	Right side frame	1 pc
A2	Left side frame	1 pc
B	Back support	1 pc
C	Seat	1 pc
D1	Right base side frame	1 pc
D2	Left base side frame	1 pc
E	Base cross bar	2 pcs



Hardware

(F)  1 3/4" Bolt Qty: 8 Pcs + 1	(G)  2" Bolt Qty: 2 Pcs + 1	(H)  2 3/4" Bolt Qty: 8 Pcs	(I)  Nut Qty: 8 Pcs + 1
(J)  Washer Qty: 8 Pcs + 1	(K)  Gliding stretch Qty: 4 Pcs	(L)  Wooden cap Qty: 10 Pcs + 2	

Tools Needed for Assembly



Need assistance? Visit us at: samsclub.com/membersmarkhelp

1

(F) 1 3/4" Bolt Qty: 4 Pcs	(L) Wooden cap Qty: 4 Pcs		
-------------------------------	------------------------------	--	--

Attach base cross bars (E) into right and left base side frame (D1&D2) and secure using 1 3/4" bolts (F).
Tighten all bolts completely using screwdriver before tapping in the wooden caps (L).

2

(F) 1 3/4" Bolt Qty: 1 Pc		
------------------------------	--	--

Attach the right side frame (A1) into back support (B).
Secure with 1 3/4" bolt (F).
** Do not tighten the bolts yet.

3

(F) 1 3/4" Bolt Qty: 1 Pc	(G) 2" Bolt Qty: 1 Pc	
------------------------------	--------------------------	--

Next, attach the seat (C) into predrilled holes of right side frame (A1).
Secure with 1 3/4" bolt (F) and 2" bolt (G), position as shown.

4

(F) 1 3/4" Bolt Qty: 2 Pcs	(G) 2" Bolt Qty: 1 Pc	
-------------------------------	--------------------------	--

Attach the left side frame (A2) into the assembly from step 3. Secure with 1 3/4" bolts (F) and 2" bolt (G), using screwdriver.

5

(H) 2 3/4" Bolt Qty: 4 Pcs	(I) Nut Qty: 4 Pcs	(J) Washer Qty: 4 Pcs	(K) Gliding stretch Qty: 4 Pcs	
-------------------------------	-----------------------	--------------------------	-----------------------------------	--

Assemble gliding stretches (K) into leg frames (A1&A2) and secure using 2 3/4" bolts (H), washer (J) and nuts (I) as diagram shown.
Tighten the nuts and bolts using wrench (included).

6

(H) 2 3/4" Bolt Qty: 4 Pcs	(I) Nut Qty: 4 Pcs	(J) Washer Qty: 4 Pcs	
-------------------------------	-----------------------	--------------------------	--

Attach the previously assembled base side frames (D1&D2) to the leg frames (A1&A2).
Connect using gliding stretches (K) to the leg frames (A1&A2) and secure using 2 3/4" bolts (H), washers (J), nut (I) as diagram shown. Tighten the nuts and bolts using wrench.

7

(L) Wooden cap Qty: 6 Pcs	
------------------------------	--

- Make sure all parts are correctly connected and tighten all bolts and nuts using screwdriver and wrench.
Tapping in the wooden caps (L) to cover bolts head using rubber mallet.
** Apply a drop oil (not supplied) on gliding stretch for smoother operation if needed.