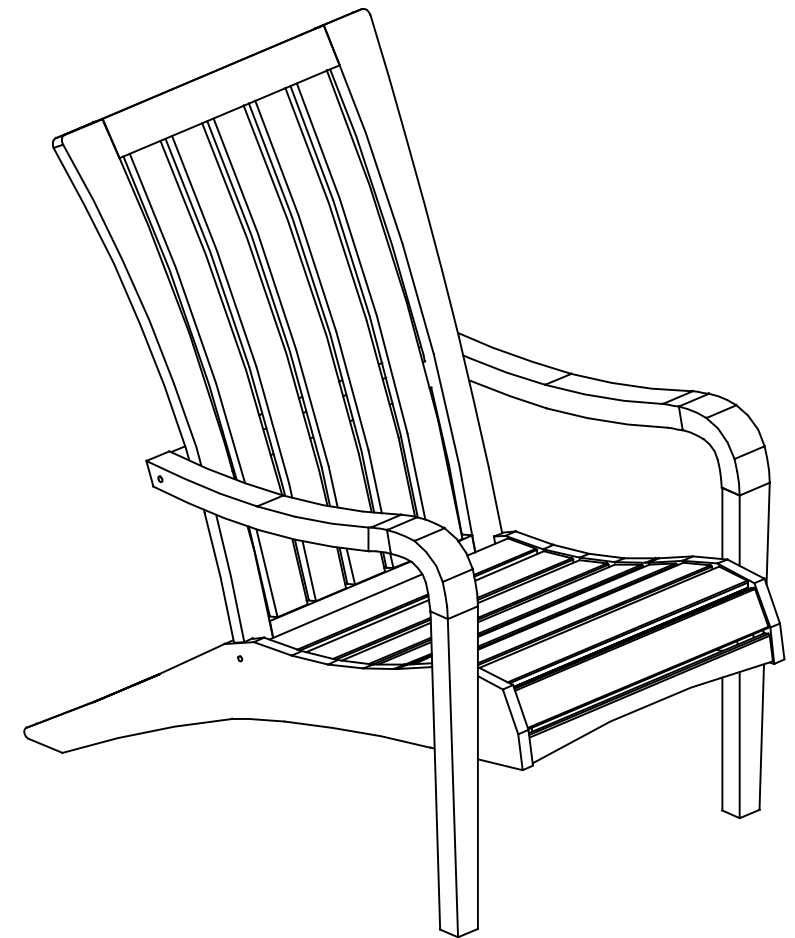




Assembly Manual

Teak Adirondack

Model Number: TM240303



**THIS ASSEMBLY MANUAL CONTAINS IMPORTANT SAFETY INFORMATION.
PLEASE READ AND KEEP FOR FUTURE REFERENCE.**

Questions or Comments?

We would love to hear about your Member's Mark experience! Visit us at:
samsclub.com/membersmarkhelp

Important Safety Information

- *Please read all instructions carefully before assembling this furniture.*
 - *For your safety, assembly by two or more adults is strongly recommended.*
 - *Use only vendor-supplied hardware to assemble this item. Using unauthorized hardware could jeopardize the structural integrity of the item.*
 - *Hardware may loosen overtime. Periodically check that all connections are tight.*
-

Before Assembly

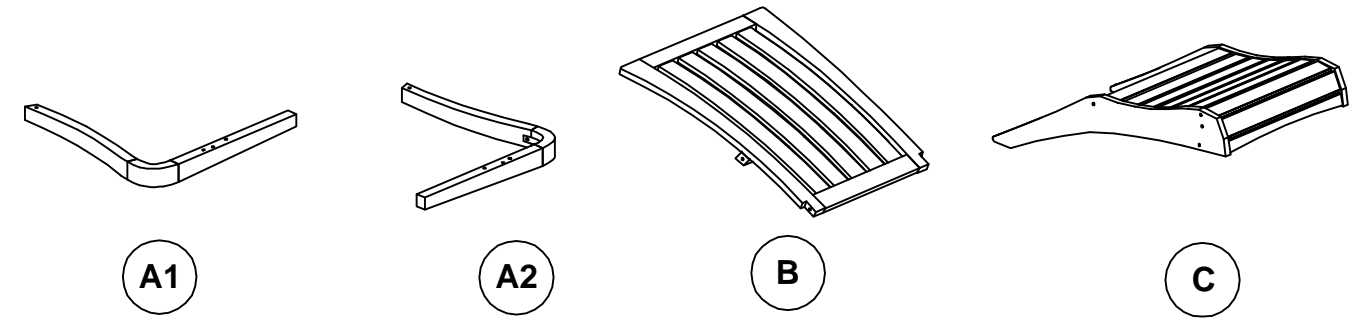
- *Remove all parts and hardware from the box. Place all items on a carpeted or scratch-free work surface, as this will avoid damaging parts during assembly.*
 - *The shipping box provides an ideal work surface.*
 - *To avoid accidentally discarding small parts or hardware, do not dispose of any packaging or contents of the shipping carton until assembly is complete.*
 - *Use the parts and hardware lists below to identify and separate each of the pieces included.*
 - *The use of power tools for assembly is not recommended. Power tools can damage the hardware and/or split the wood.*
 - **Note:** *Do not fully tighten all bolts until all parts are in place. Failure to follow these instructions may cause the bolts to misalign during assembly.*
-

Care and Cleaning



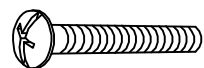




- *To increase the item lifespan, avoid leaving the furniture in standing water or indirect contact with wet ground.*
- *Cover or move the furniture into covered storage during inclement weather and during winter months.*
- *Clean periodically with soft flannel cloth, slightly dampened with a mild soap solution and warm water. DO NOT use abrasive material, bleach or scouring products. Dry thoroughly with soft cloth.*

Component

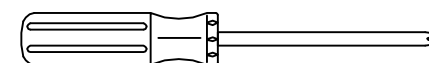
A1 Right leg 1 pc
 A2 Left leg 1 pc
 B..... Back support 1 pc
 C Seat 1 pc



Hardware

(D) 1" Bolt Qty: 2 Pcs + 1		(H) Wooden dowel Qty: 2 Pcs + 1	
(E) 1 1/2" Bolt Qty: 4 Pcs + 1		(I) Washer Qty: 4 Pcs + 1	
(F) 1 3/4" Bolt Qty: 2 Pcs + 1		(J) Spring washer Qty: 4 Pcs + 1	
(G) Wooden cap Qty: 4 Pcs + 2			

Tools Needed for Assembly


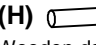




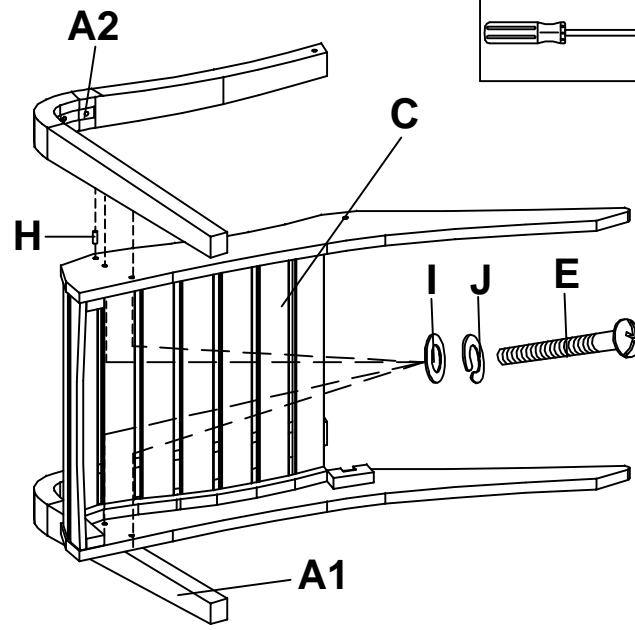
Phillips Screwdriver (not included).





Rubber mallet (not included).

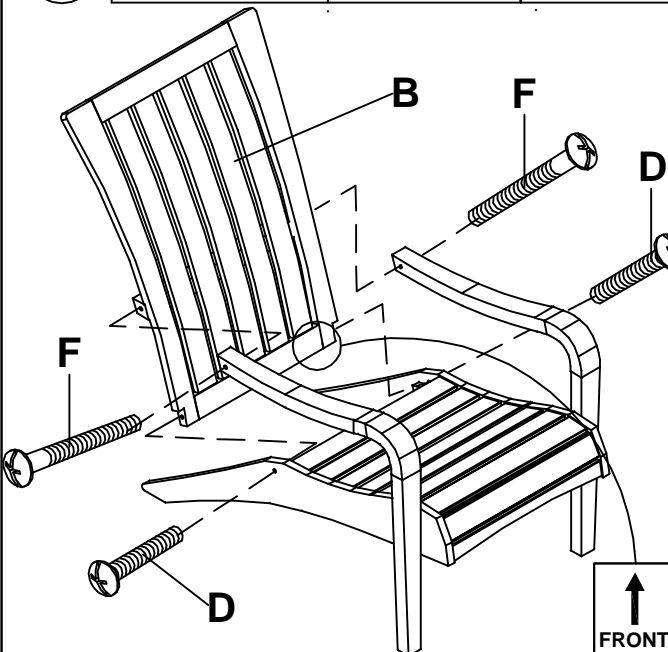
Need assistance? Visit us at: samsclub.com/membersmarkhelp

1	(E)  1 1/2" Bolt Qty: 4 Pcs	(H)  Wooden dowel Qty: 2 Pcs	(I)  Washer Qty: 4 Pcs	(J)  Spring washer Qty: 4 Pcs
----------	--	---	---	--




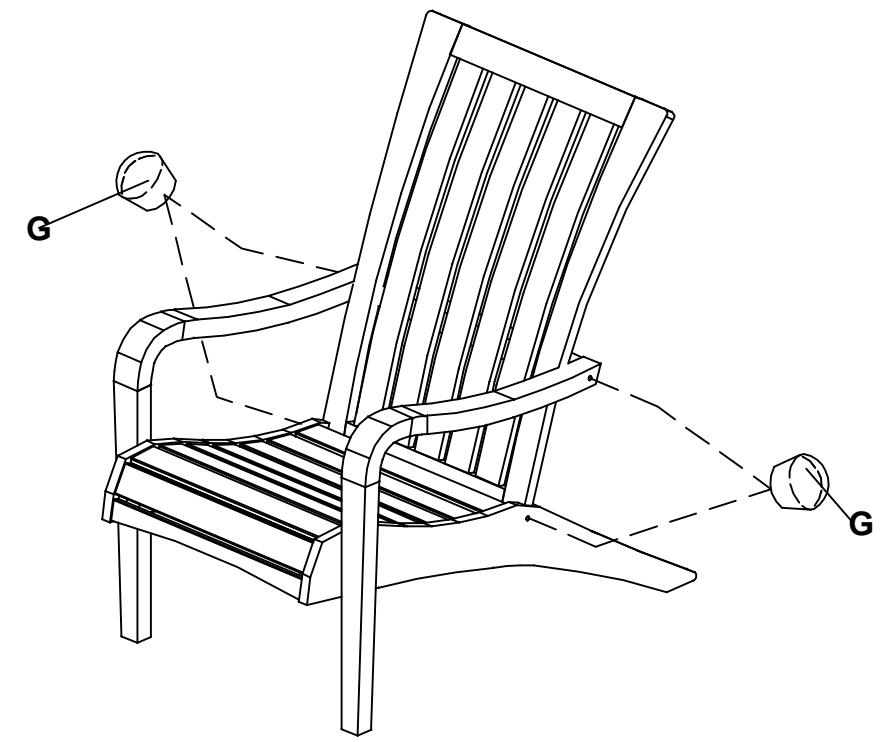
Plug in the wooden dowels (H) onto Seat (C). Then, place the Seat (C) into legs (A1 & A2). Secure using washer (I), spring washer (J) and 1 1/2" bolts (E) with screwdriver.

2	(D)  1" Bolt Qty: 2 Pcs	(F)  1 3/4" Bolt Qty: 2 Pcs	
----------	--	--	--



Install the back support (B) to the pre assembly from step 1. Secure using 1" bolts (D) and 1 3/4" bolts (F), position as shown. Using screwdriver.

3	(G)  Wooden cap Qty: 4 Pcs		
----------	---	--	--



Make sure all parts are connected and tighten all bolts completely using screwdriver. Tap in the wooden caps (G) to cover bolts head using rubber mallet.

The Adirondack is now ready for use.

MAINTENANCE

Due to wood's natural characteristics, wood color and grain variations may be present. This is a symbol of the originality of each unit and gives each finished piece a distinctive look and inherent charm.

Care Instruction :

Teak wood, when left bare and unsanded, will fade to a natural silver-gray color. This silver-gray color transformation does not in any way affect the durability of the furniture or the wood itself.

To maintain the smooth finish and golden brown color of your teak furniture, you will need to sand the furniture regularly or allow to weather to silver-gray. To prolong the period of time needed between sanding, teak oil may also be applied.

If you choose to apply teak oil, apply every 6 months, or follow the teak oil container directions. Again, if you choose to maintain the smooth brown finish of your new teak furniture, this method requires some maintenance for upkeep such as sanding and reapplication of teak oil. Teak oil, along with sanding, simply maintains the golden brown color.

Staining :

Please note, once you stain your teak, it will not return to the natural golden brown or weathered silver-gray color without sanding off the stain. Stain is intended to be permanent. If you choose to stain your furniture after it has turned silver-gray, you must first sand it before applying stain.

Do not leave your teak wood furniture in puddles of water or on wet ground.

Cover your teak wood furniture during winter months or move into covered storage, if in wet climates.

The manufacturer support protection of the world's forest resources and is diligent in sourcing legally harvested wood.

Thank you
The manufacturer