



Assembly Instructions & User's Manual

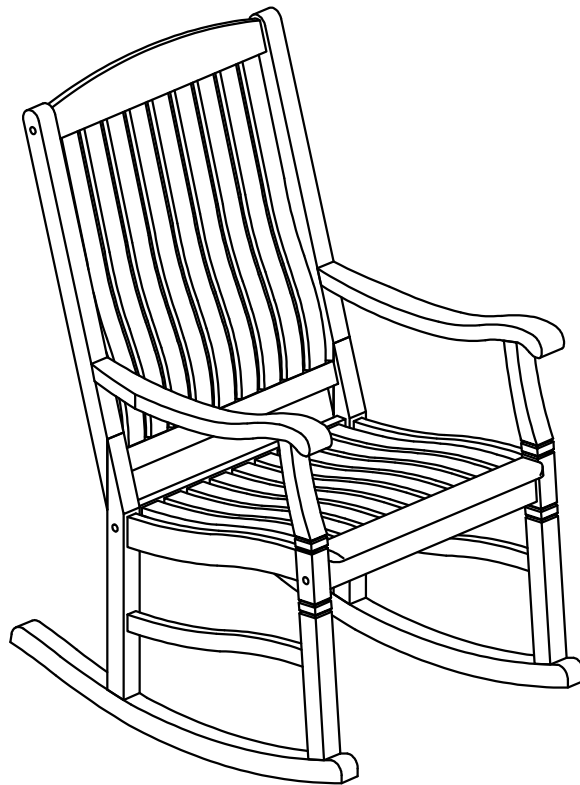
for

Member's Mark Teak Porch Rocker

Model Number: TM130680

Customer Assistance (spare/replacement parts): 1-888-287-4275 (From 9:00 am to 5:00 pm CST, Monday to Friday)

or Email: info@cambridgecasual.com



THIS ASSEMBLY MANUAL CONTAINS IMPORTANT SAFETY INFORMATION.
PLEASE READ AND KEEP FOR FUTURE REFERENCE.

Table of Contents

Quality Statement	3
Important Safety Information	3
Before Assembly	3
Care & Use	3
Package Contents	4
Product Information	5
Components	5
Hardware	5
Tools	5
Step 1 - Step 4	6
Troubleshooting	7
Care & Use Instruction	7
Warranty Information	8

Quality Statement

Questions or Comments?

We would love to hear about your Member's Mark experience! Visit us at: samsclub.com/membersmarkhelp

Important Safety Information

- *Please read all instructions carefully before assembling this product.*
- *Where applicable, and for your safety, assembly by an adult is strongly recommended.*
- *Use only vendor-supplied hardware to assemble this item. Using unauthorized hardware could jeopardize the structural integrity of the item.*
- *Hardware may loosen overtime. Periodically check that all connections are tight.*

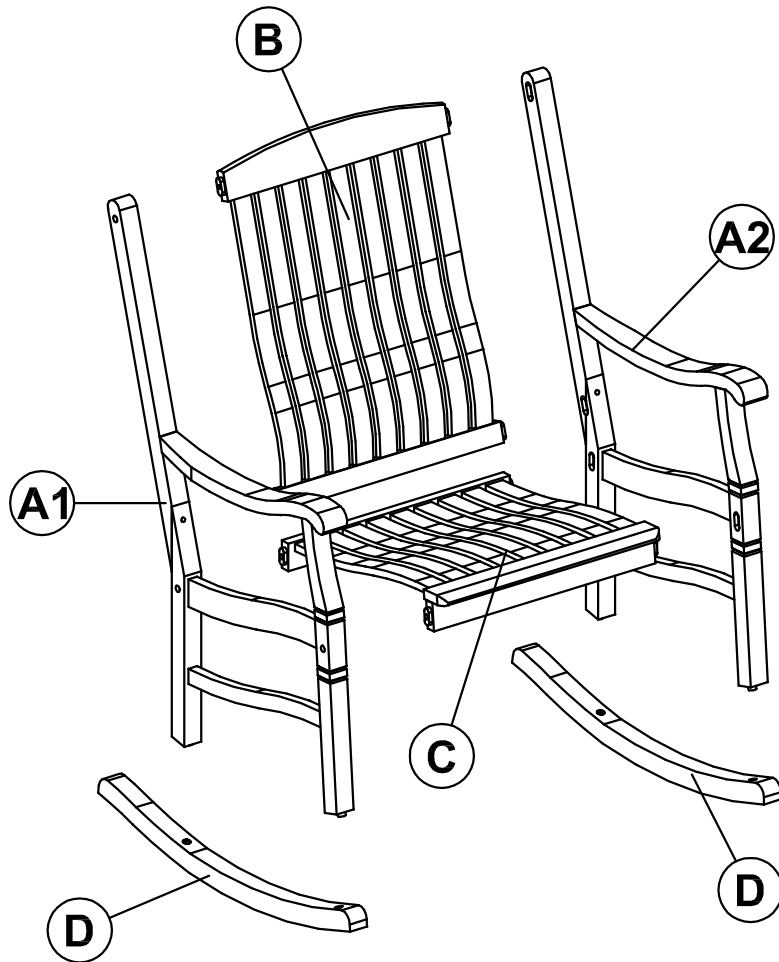
Before Assembly

- *Remove all parts and hardware from the box. Place all items on a carpeted or scratch-free work surface, as this will avoid damaging parts during assembly.*
- *The shipping box can provide an ideal work surface if none is available.*
- *Use the components and hardware lists below to identify, inventory and separate each of the hardware and components included.*
- *To avoid accidentally discarding small components or hardware, do not dispose of any packaging or contents of the shipping carton until assembly is complete.*
- **DO NOT USE** *power tools unless it is explicitly identified in this manual as required for use during assembly. Power tools can damage the fasteners, hardware and/or components.*
- *Do not fully tighten all fasteners / screws until all parts are in place. Failure to follow these instructions may cause the fasteners / screws to misalign during assembly*

Care & Use

- *Use a soft, clean cloth that will not scratch the surface when cleaning.*

Package Contents



Component	Description	Qty
A1	Right Side Frame	1
A2	Left Side Frame	1
B	Back Support	1

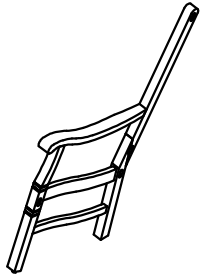
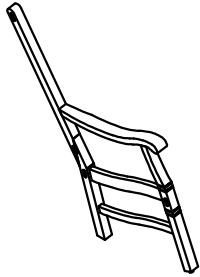
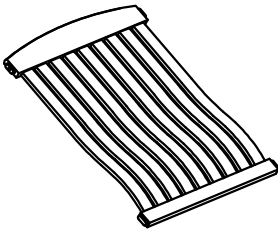
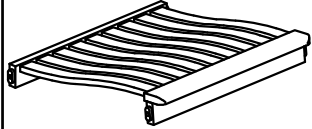
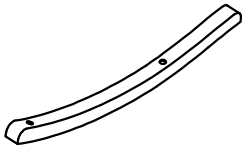
Component	Description	Qty
C	Seat	1
D	Rocker	2

Product Information

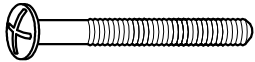
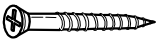


Dimensions : 24 3/4" W X ±32 1/4" D X ±44 1/2" H (63cm X ±82cm X ±113cm)

Weight Capacity : Supports up to 300 lbs (136 kg)

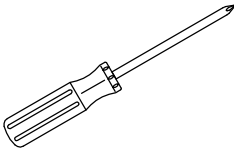
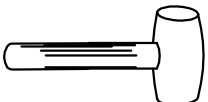
Components

A1. Right side frame	A2. Left side frame	B. Backrest	C. Seat
			
Qty : 1 Pc	Qty : 1 Pc	Qty : 1 Pc	Qty : 1 Pc
D. Rocker			
			
Qty : 2 Pcs			

Hardware

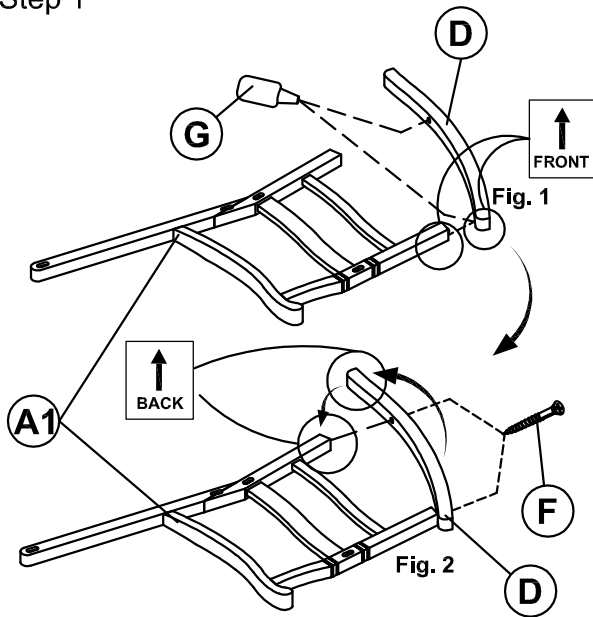
E. 1 1/2" Bolt	F. 2" Screw	G. Glue	H. Wooden cap
			
Qty : 6 Pcs + 1	Qty : 4 Pcs + 1	Qty : 1 Pc	Qty : 6 Pcs +1

Tools

8" Philips screwdriver (Not Included)	Rubber mallet (Not Included)
	

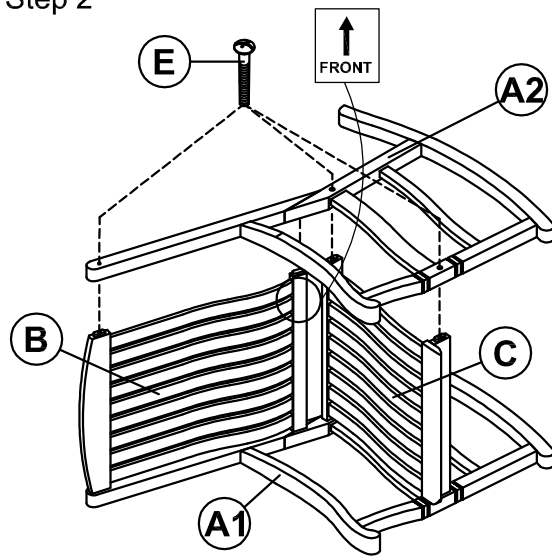
Step 1 - Step 4

Step 1



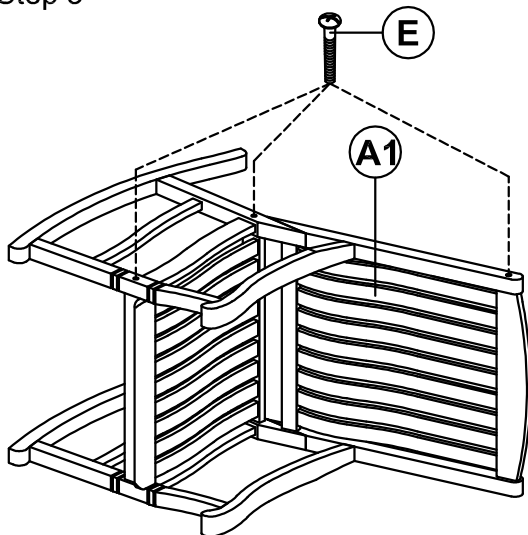
- Pour a small amount of glue (G) into the holes on rockers (D).
- Attached each rocker (D) to right and left side frame (A1 & A2) as picture shown, connecting front of rockers to front legs first then the back of rockers. Secure connections with screws (F).

Step 2



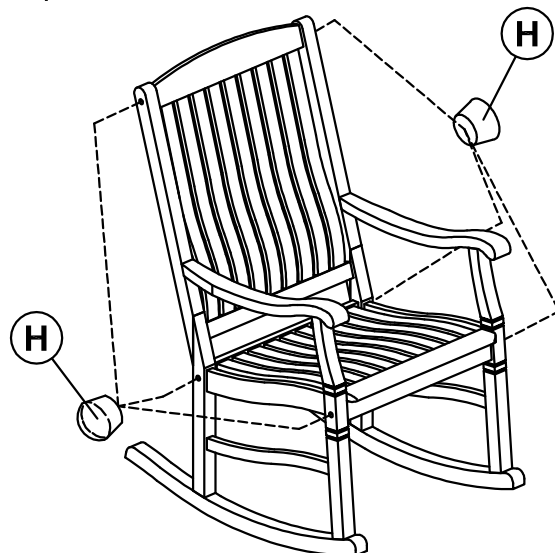
Install back support (B) and seat (C) into corresponding holes of right side frame (A1). Attach the left side frame (A2) onto back support (B) and seat (C). Secure left side frame (A2) using 1 1/2" bolts (E), as shown.

Step 3



Invert the rocker and repeat the step 2 procedure to secure the frame.

Step 4



Upright the rocker. Make sure all parts are connected and tighten all bolts completely using screwdriver. Tap in the wooden caps (H) to cover bolts head using rubber mallet.

CONGRATULATION !
THE ROCKER IS NOW READY FOR USE.

Troubleshooting

Problem	Possible Cause	Prevention / Solution
Tilting / Leaning	Surface not level	Place it on a level floor
Rickety	Bolt not tight enough	Tighten all bolts / screw

Care & Use Instruction

Teak wood, when left bare and unsanded, will naturally fade to a silver-gray color. This silver-gray color transformation does not in any way affect the durability of the furniture.

To maintain the smooth finish and golden brown color of your teak furniture, you will need to sand the furniture regularly with 240 - 320 grit sandpaper. To prolong the period of time needed between sanding, teak oil may also be applied.

If you choose to apply teak oil, apply every 6 months, or follow the teak oil container directions. Again, if you choose to maintain the smooth brown finish of your teak furniture, this method requires some regular maintenance, such as sanding and reapplication of teak oil. Teak oil, along with sanding, will help maintain the golden brown color.

Staining :

Please note, once you stain your teak, it will not return to the natural golden brown or weathered silver-gray color without sanding off the stain. Staining is intended to be permanent. If you choose to stain your furniture after it has turned silver-gray, you must first sand it before applying the stain.

Warranty Information

This product component has a 1 year frames guarantee against defects in material and/or workmanship. If you have any questions regarding the warranty or spare / replacement parts, please call our toll-free number 1-888-287-4275 (From 9:00 am to 5:00 pm CST, Monday to Friday) or email us at info@cambridgecasual.com

NOTE: Please consider recycling all applicable packaging material.

Distributed by Sam's West Inc.
2101 SE Simple Savings Dr.
Bentonville, Arkansas 72716-0745

Made in INDONESIA

