

# motorized heavy duty traverse systems



R-TEC AUTOMATION®

motorized heavy duty traverse **NEW**

R-TEC Automation® heavy duty traverse systems combine style and function with smart design solutions for both residential and commercial environments.

The slim drapery motor is designed to install seamlessly behind the drapery panel with quiet start / stop operation, the ability to easily charge without having to remove the motor and up to 500 open and close cycles per charge, providing the ultimate integrated functionality without compromising the look of your window treatment.

Available with 1 3/8", 1 7/8", 2", 2 1/4" and 3" diameter fascia profiles or without wood fascia.

Choose from any of our 50 standard hand painted finishes located on page 34 or your own custom finish.



R-TEC AUTOMATION®

R-TEC smart controls **NEW**

The R-TEC Automation® Hub and App integration allow draperies to be controlled directly from a smartphone or integrated device while at home or away. Now available in the Apple® App store or Google Play™, search for Rowley to find and download the new R-TEC Automation® App.

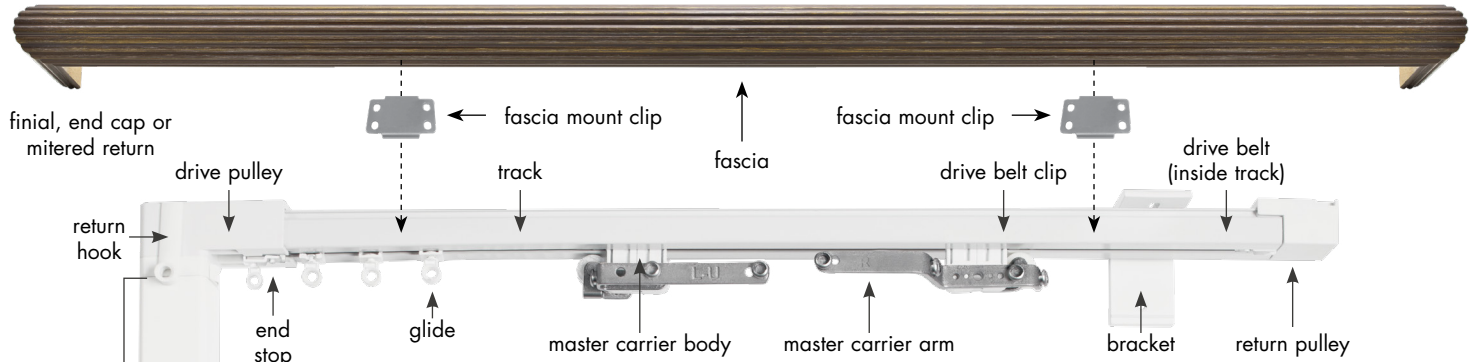
As an alternative, remotes and wall switches allow for individual, group and all control for a customized solution with 1, 5 and 15 channel options.



For more R-TEC Automation® window solution options, visit the Rowley Company website to view our compatible shade systems at: [bit.ly/R-TEC-Automation-Shades](http://bit.ly/R-TEC-Automation-Shades)

# motorized heavy duty NEW

LHON BATTERY OR 110v AC POWER, RIPPLEFOLD OR PINCH PLEAT



**INCLUDED IN SYSTEM: R-TEC AUTOMATION® TRACK(S), BRACKETS, COMPONENTS, MOTOR(S), POWER OPTION(S) & 5 CHANNEL HANDHELD REMOTE WITH WALL MOUNT**

system requirements:  
1 drive pulley & 1 return pulley for one-way draw;  
2 drive pulleys for center draw.



**R-TEC Automation® handheld remote with wall mount (5 channel)**

- 4 3/4" H x 2" W x 3/8" D
- 1 remote control per system
- range: 65'
- programmable Favorite Position to set your favorite drapery position
- available in off-white

**R-TEC Automation® slim drapery motor**

- slim drapery motor, 1 per track
- maximum drapery weight: 110 lbs
- maximum track length: 36'
- power option: li-ion battery (includes battery charger & USB cable) or 110v AC power transformer (includes 10' cord with 3 conductor male plug)
- motor can be mounted on right or left for center draw, or top mounted
- return hooks/snaps included; available in white or bronze
- available in white
- 5 year warranty

**R-TEC Automation® track**

- track sold in 1 foot increments, 4' minimum
- maximum continuous length is 19'; spliced lengths up to 36'
- available in white or bronze
- may be ordered with or without fascia
- fascia options shown on pages 20-21

slim drapery motor\* (can be top mounted)

li-ion battery shown (110v AC power transformer option available)

\*Tandem alternative option: see page 17 of the price list for details.

## motor & power options



RTMLDSS50 slim drapery motor



RTMLDSSB li-ion battery



RTMLDSSBC battery charger



RTMLDSSUSB USB charger cable



RTMDSSTP 110v AC power transformer 10' (plug included)

## features



**2-way RF communication**

integrated radio frequency control allows for easy programming of individual, group or all control across window treatments



**adjustable speed**

choose from three options to customize the open / close speed of the drapery treatment



**preferred open / close limit settings**

electronic "autoset" limits accurately program preferred open and close limit settings



**favorite position**

allows a most used or favorite position to be set between open and close limit settings



**obstruction detection**

if the drapery motion is obstructed while the motor is running, the motor stops automatically to prevent damage



**manual override**

permits the drapery to be adjusted manually without the use of a remote or in the event of a power outage



**quiet operation**

powerful, smooth and quiet operation suitable for both residential and commercial environments

# motorized heavy duty NEW

LHON BATTERY OR 110v AC POWER, RIPPLEFOLD OR PINCH PLEAT

single



single traverse system  
with fascia

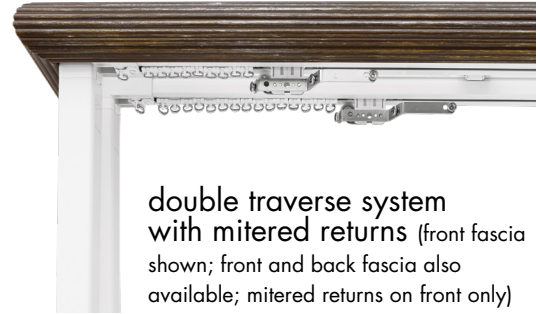
double



double traverse system  
with fascia (front fascia shown;  
front and back fascia also available)



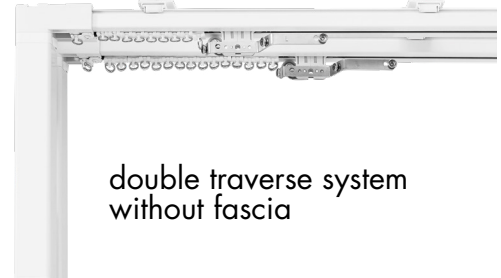
single traverse system  
with mitered returns



double traverse system  
with mitered returns (front fascia  
shown; front and back fascia also  
available; mitered returns on front only)



single traverse system  
without fascia



double traverse system  
without fascia

## coordinating fascia profiles & finials

For more details on fascia options, see pages 20-21. Finials sold separately. Please reference the 2018 Drapery Hardware Catalog for coordinating finials: 1 3/8" Dia on pages 62-64, 2" - 2 1/4" Dia on pages 69-76 and 3" Dia on pages 82-84.



slim round  
smooth,  
no finials  
• 1 7/8" Dia



flat smooth,  
no finials  
• 2 1/4" Dia



smooth  
• 1 3/8", 2", 2 1/4"  
and 3" Dia



grooved  
• 1 3/8", 2", 2 1/4"  
and 3" Dia



fluted  
• 1 3/8", 2" and  
2 1/4" Dia



reeded  
• 1 3/8", 2", 2 1/4"  
and 3" Dia



wide reeded  
• 2 1/4" Dia



mitered  
returns (sold  
separately)  
• 1 3/8", 1 7/8", 2",  
2 1/4" and 3" Dia  
• all profiles

# R-TEC smart controls NEW

# motorized traverse



**R-TEC Automation® App**  
Our App enables simple, intuitive control and system configuration from your smartphone or tablet.

Free app for iOS and Android



**RTMHUB2**  
R-TEC Hub, 2-way RF; Wi-Fi built in  

- 4½"H x 1¼"W x 4½"D
- range: 60'

Pair the R-TEC Hub and App with these systems (not sold by Rowley):



these additional accessories are available for purchase separately



**RTMHR1C**  
handheld remote with wall mount, 1 channel  

- 5 5/16"H x 1 1/4"W x 1/2"D
- range: 65'
- available in white



**RTMHR5C**  
handheld remote with wall mount, 5 channel  

- 4 3/4"H x 2"W x 3/8"D
- range: 65'
- available in off-white



**RTMHR15C**  
handheld remote with wall mount, 15 channel  

- 5 3/16"H x 1 1/4"W x 1/2"D
- range: 65'
- available in white



**RTMWSR5C**  
surface mount wall switch 5 channel  

- 4 1/2"H x 2 3/4"W x 7/8"D
- range: 65'
- available in white



**RTMWSR15C**  
wall box mount switch 15 channel  

- 4 1/2"H x 2 3/4"W x 1"D
- range: 65'
- available in white



**RTMISS**  
interior sun sensor  

- 1 3/4"H x 1 3/4"W x 5/8"D
- range: 65'
- available in white



**RTMUSR**  
ARC USB signal repeater  

- 2"L x 2 1/2"L with USB x 1 5/16"W
- extends the wireless range of the R-TEC Hub and remotes up to 60'
- maximum 2 repeaters per system or network
- available in white (color may vary)



**RTMLWCW**  
wall charger for USB signal repeater  

- 1 7/16"W x 1 1 3/16"L
- available in white (color may vary)



**RTMSOLAR2**  
solar panel battery charger  

- 4 5/8"H x 12 5/16"W x 1 3/8"D
- includes hbracket, cables & fastener

# motorized traverse

**RTEC** AUTOMATION®

## carriers NEW

COMPONENTS ARE WHITE; TO ORDER COMPONENTS IN BRONZE, ADD /BR

master carrier body, available in white or bronze, is required for each master carrier arm - sold separately



- RTMDTMCB RTMDTMCB/BR**  
master carrier body
- select from different arms to assemble into one master carrier body
  - order two if ordering center draw master carrier arms - sold separately
  - pinch pleat or Ripplefold
  - available in white or bronze



- RTMDTCD**  
master carrier arms for center draw
- RTMDTCDTAN**  
tandem master carrier arms for center draw
- stainless steel overlap arms
  - pair
  - for use with center opening draperies
  - pinch pleat or Ripplefold
  - order two master carrier bodies - sold separately



- RTMDTOR RTMDTOL**  
master carrier arm for one-way draw
- stainless steel arm
  - right (R) or left (L)
  - for use with one-way opening draperies
  - pinch pleat or Ripplefold
  - order one master carrier body - sold separately



- RTMDTCDB**  
Ripplefold butt master carrier arms for center draw
- stainless steel arms with snaps to accept Ripplefold tape
  - pair
  - for use with center opening draperies
  - Ripplefold
  - butt master carriers do not overlap, allowing some light to filter between draperies on center draw treatments
  - order two master carrier bodies - sold separately



- RTMDTOB**  
Ripplefold butt master carrier arm for one-way draw
- stainless steel arms
  - right and left
  - for use with one-way opening draperies
  - Ripplefold
  - order one master carrier body - sold separately



- CP40 CP40/BR**  
pinch pleat glide
- available in white or bronze



- R4060** | **R4060/BR** 60% fullness  
**R4080** | **R4080/BR** 80% fullness  
**R4100** | **R4100/BR** 100% fullness  
**R4120** | **R4120/BR** 120% fullness  
Ripplefold roller glide
- Ripplefold glides with detachable pendants
  - fullness 60%, 80%, 100% or 120%
  - available in white or bronze



- BT4333**  
glide stop
- stainless steel

### component colors

	White	Bronze
Track	•	•
Master Carrier Body	•	•
Glides	•	•
Brackets	•	•

# brackets

EASY CLICK INSTALLATION



- TB035-R**  
wall traverse bracket, single
- adjustable 3½" - 4½" return
  - 2½" H x 1½" W backplate
  - available in white or bronze /BR



- TB060-R**  
wall traverse bracket, single or double
- adjustable 5½"-6¼" front return
  - adjustable 2½"-3½" back return
  - 3¾" H x 1¾" W backplate
  - available in white or bronze /BR



- TB100-R**  
wall traverse bracket, single, double or triple
- adjustable up to 10"
  - 4½" H x 1½" W backplate
  - available in white or bronze /BR



- RTMDTBCM**  
single ceiling mount clip
- 1⅜" H x 2 ¼" Deep x 1" W
  - may only be used in systems without fascia
  - single bracket; may be substituted in single or double systems
  - available in white or bronze /BR

*for double ceiling mount installation, install two brackets into ceiling*



- CP500**  
drapery return bracket
- 1¾" return
  - ¾" H x ½" W backplate
  - allows for return on track hardware in traverse systems; included
  - available in zinc



- RTMDTFC**  
fascia mount clip
- use to attach fascia to traverse systems; included
  - available in zinc



- CMTB-R**  
steel custom ceiling bracket, single  
2¾" H x 1½" W backplate
- specify drop: contingent upon which fascia or finials are chosen*
- for double ceiling mount installation, install two individual brackets into ceiling*



- TBKT214-R TBKT300-R**
- 3½" H x ¾" W backplate, 7⅞" or 8¾" front return and 3" back track return\*
  - use to combine 2", 2¼" or 3" full wood pole with single traverse systems
  - includes traverse ceiling mount bracket attached onto the bottom of the overbracket
  - fascias sold separately
  - available in any of our 50 standard hand painted finishes on page 34 or your own custom finish

\*for custom bracket returns, see page 56 of the 2018 Drapery Hardware Catalog

# motorized traverse systems

# motorized traverse

R-TEC AUTOMATION® OR SOMFY® MOTORS

## R-TEC Automation®

Provide your clients with innovative window treatment solutions that fit their budget expectations with R-TEC Automation® systems that offer unrivaled design, uncompromising quality and service, and intuitive control options at exceptional price points.

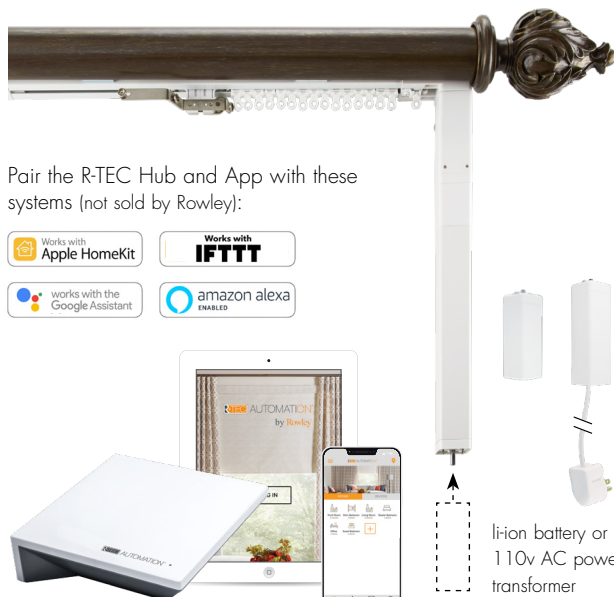


Featuring our R-TEC Automation® Slim Drapery Motor

## R-TEC AUTOMATION® by Rowley

### R-TEC Automation® system features:

- max. drapery weight: 110 lbs. slim motor
- track sold in 1 foot increments, 4' minimum
- maximum continuous length is 19'
- spliced lengths up to 36' with slim drapery motor
- 5 channel handheld remote with wall mount per system
- li-ion battery or 110v AC power transformer 10'
- optional solar power battery charger
- programmable Favorite Position
- app R-TEC Automation® available on the Apple® App Store or Google Play™



Pair the R-TEC Hub and App with these systems (not sold by Rowley):



li-ion battery or 110v AC power transformer

## somfy.

### Somfy® system features:

- max. drapery weight:
  - 99 lbs. Irismo™ 45 heavy duty motor
  - 77 lbs. Irismo™ 35 mini motor
  - 132 lbs. Glydea® ULTRA 60e RTS heavy duty motor
  - 77 lbs. Glydea® ULTRA 35e RTS standard motor
- track sold in 1 foot increments, 6' minimum
- maximum continuous length is 20'
- spliced lengths:
  - up to 33' with Irismo™ heavy duty motor
  - up to 32' with Irismo™ mini motor
  - up to 36' with Glydea® heavy duty motor
  - up to 32' with Glydea® standard motor
- 5-channel transmitter per system
- standard 10' cord; transformer is housed within the Glydea® ULTRA drapery motors
- programmable "My" Position
- curved tracks available with minimum 11.8" radius; curving fees apply
- iPhone app MyLink

Pair the MyLink App with these systems (not sold by Rowley):

