

Drapery Fan-Folding Device

Introduction

The **Drapery Fan-Folding Device** is an innovative product developed by Rowley Co. This device can help you to fan fold a drapery by yourself. The unique design of the device makes it extremely easy to use, and will save you time and money.

Set-Up the Drapery Fan-Folding Device

There are two methods to set up your drapery fan-folding device. One way is to mount the device permanently on the corner of your worktable as shown in Figure 1 by using four screws. The other is to attach the device to your work table temporarily by using two **Quick Set/Release Clamps* (QC10)** as you can see in Figure 2. We recommend the second method. The device can, thus, be easily removed from your work table to free table space, and reclamped when you need it.

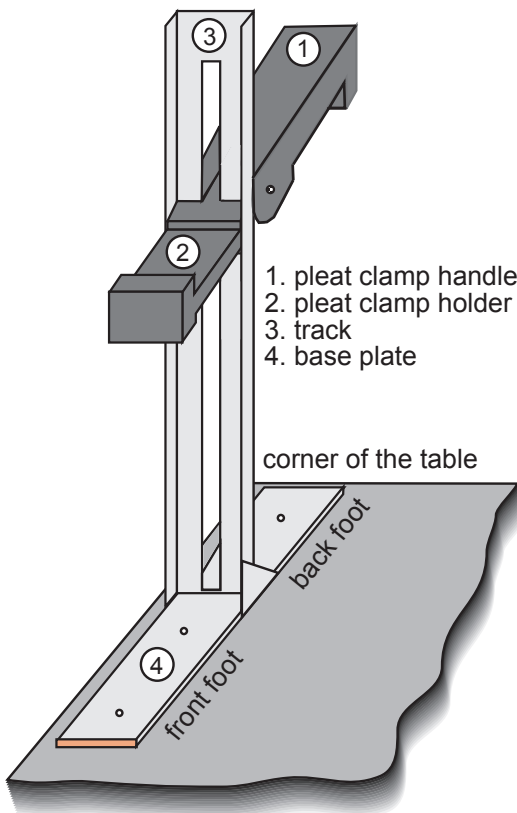


Figure 1. Drapery fan-folding device

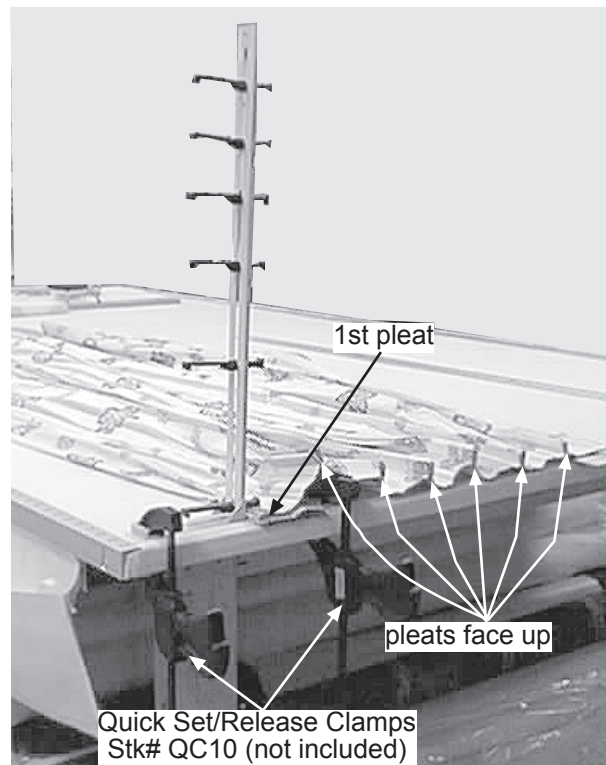


Figure 2. Drapery fan-folding device clamped on the table

Operation Instruction

1. Raise and lock all pleat clamps to the top of the track. You can do this by pulling the handle up to move, and then pushing the handle down to lock the pleat clamp on the track. Figure 1 shows one of the pleat clamps in the locked position on the track.
2. Lay the drapery face up on the table. The first pleat should be on the front foot against the track (see Figure 2).
3. Fold the side edge of the drapery under. This could be either the overlap or return. Release and lower the clamp to hold the drapery as shown in Figure 3.

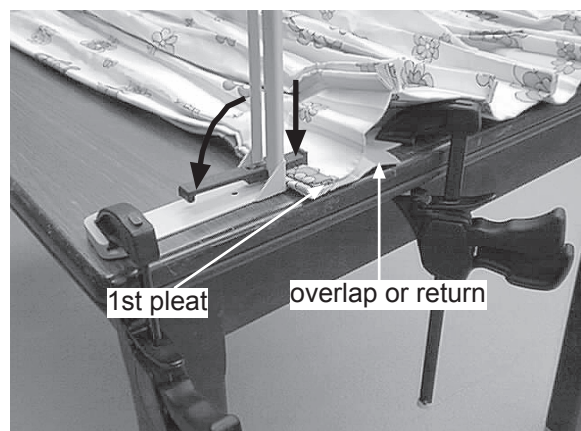


Figure 3. 1st fold of the drapery

4. After folding the pleat at the top of the drapery, continue to fold the pleat to the bottom of the drapery. A pattern in the fabric can assist you in straight and even folds. If there is none, you can use a ruler to help.
5. Pick up the next pleat with one hand, and release the pleat clamp by pulling the handle up with your other hand (Figure 4).

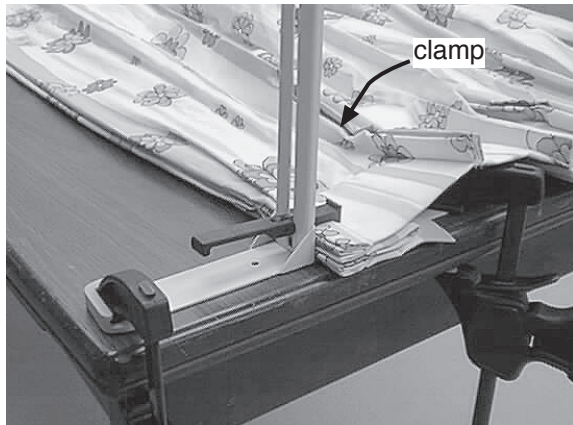


Figure 5. Put down the pleat against the track

7. Press the holder on top of the folded pleat of the drapery with your one hand, and then push the handle down to lock up the clamp by your other hand (see Figures 6 and 7).

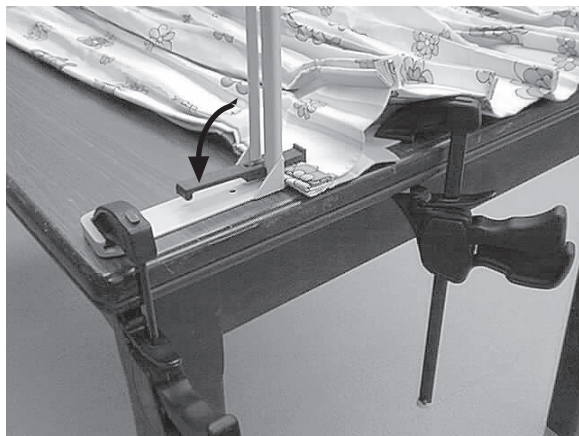


Figure 7. Locking the clamp

9. After the drapery has been completely folded, bundle the drapery with **Fan Folded Drapery Straps***. Place the straps near the top, center, and near the bottom (see Figure 8). Then release all the pleat clamps by pulling the handles up. At last, you can remove the folded drapery from the drapery fan-folding device and put it on our **Drapery Hanger***. It is now ready to be transported to the job site and installed.

* The details and pricing of **Quick Set/Release Clamps**, **Fan Folded Drapery Straps**, and **Drapery Hanger** are in our catalog.

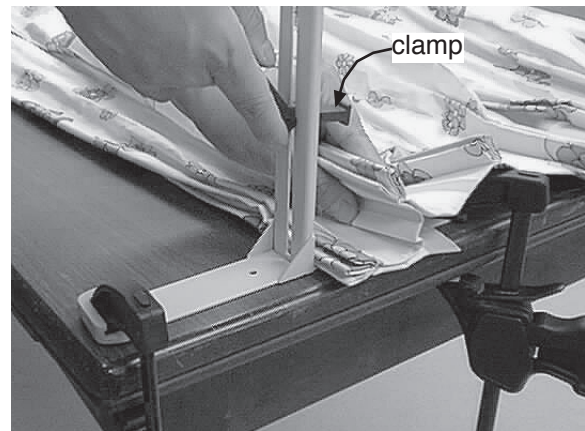


Figure 4. Pick up the next pleat

6. Put the next drapery pleat under the pleat clamp against the track as shown in Figure 5. Hold the next pleat in place with your hand, and lower the clamp with your other hand.

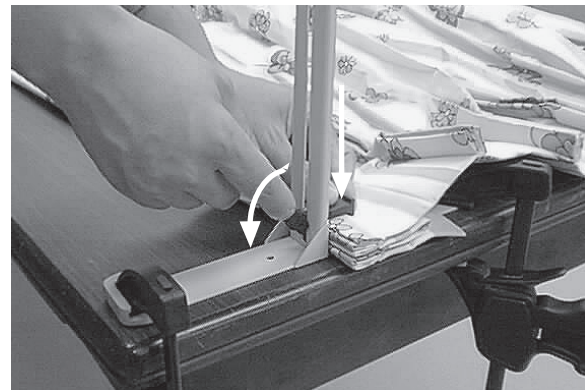


Figure 6. Lower the clamp down on the drapery

8. Repeat steps 5 to 7 to fold your drapery pleat by pleat. You should use the next higher pleat clamp when the drapery pleats under the holder are about 2.5 inches high. During the above process, you can steam out the wrinkles, and make the final inspection.

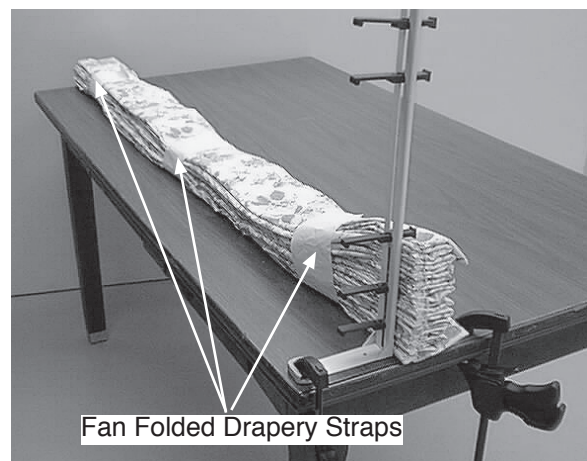


Figure 8. Folded drapery