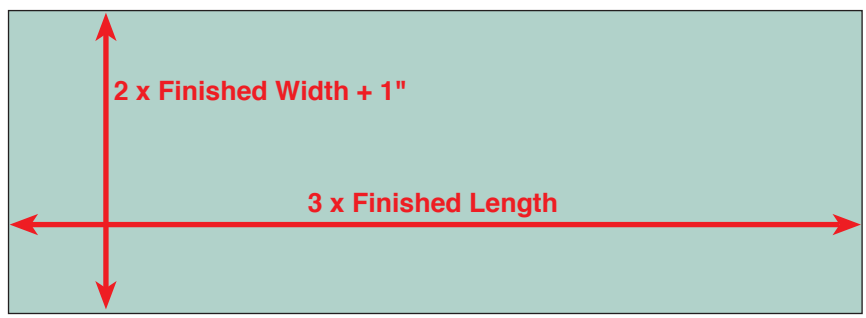
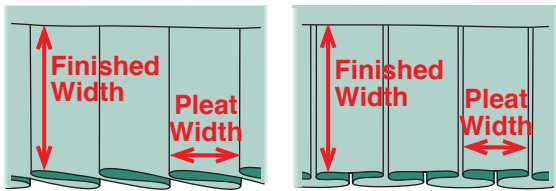


Instructions For Perfect Pleating Tapes (DYC85 & DYC86)

1) Cut a strip of fabric at least three times the finished length, twice the finished width plus 1" for seam allowance.

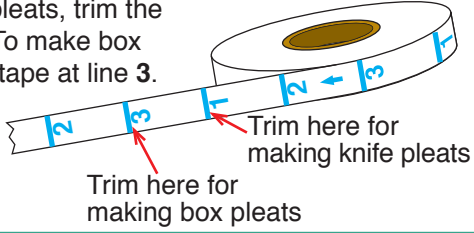


2) Fold fabric strip length wise, press and serge the raw edge.

Choose the appropriate sticky tape, only pay attention to the color designated for the desired pleat width (See the table below). For example, to make 3/4" pleats, use Blue/Black tape. Ignore the black part, pay attention to the Blue lines only.

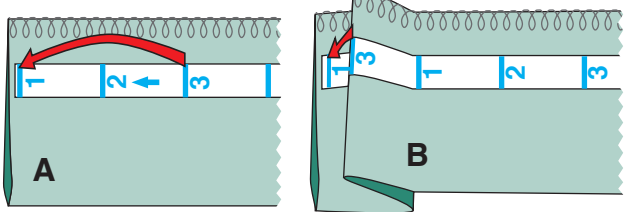
Pleat Width	Which Tape to Use
3/4"	use Blue lines on Blue/Black tape(DYC85)
1"	use Pink lines on Pink/Green tape(DYC86)
1 1/2"	use Black lines on Blue/Black tape(DYC85)
2"	use Green lines on Pink/Green tape(DYC86)

To make knife pleats, trim the tape at line 1. To make box pleats, trim the tape at line 3.

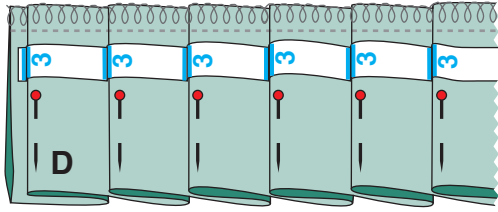
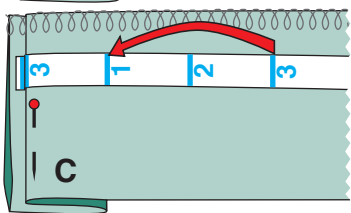


4a) To Make Knife Pleats,

Work from left to right. Pinch up and crease at the first line 3, fold past line 2, meet line 3 with line 1.

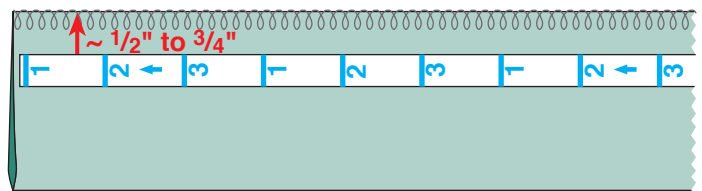


Use straight pin to pin the pleat. Repeat the process until the entire fabric strip is pleated.



Straight stitch along the raw edge. Remove the tape and the straight pins.

3) Stick the tape along the fabric strip, about 1/2" to 3/4" away from the raw edge. Make sure the arrows on the tape point towards the left. Cut the tape off the roll.



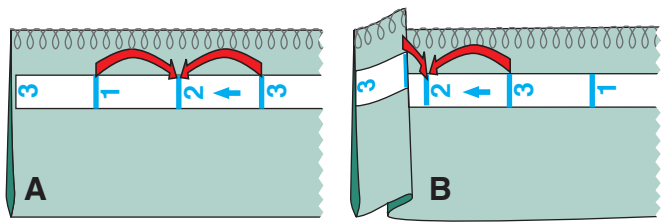
If you prefer pleating while stitching, skip step 4a or 4b and go to 4c or 4d on next page. Otherwise continue to step 4a or 4b.

Important:

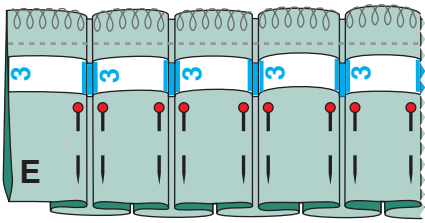
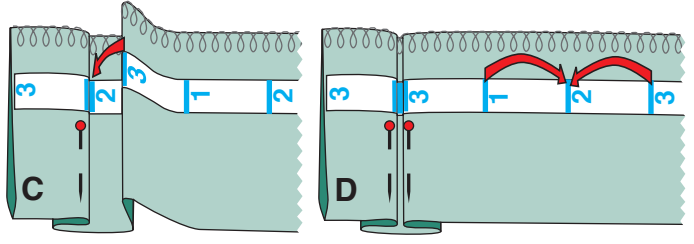
Remove the sticky tape as soon as pleating is done. Do not leave the sticky tape on fabric for more than three days.

4b) To Make Box Pleats,

Work from left to right. Pinch up and crease at the first line 1, fold to meet line 2. Pin the pleat.



Pinch up and crease at the next line 3, fold to meet the same line 2. Pin the pleat. Repeat until the entire fabric strip is pleated.

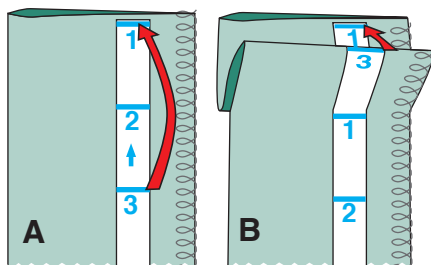


Straight stitch along the raw edge. Remove the tape and the straight pins.

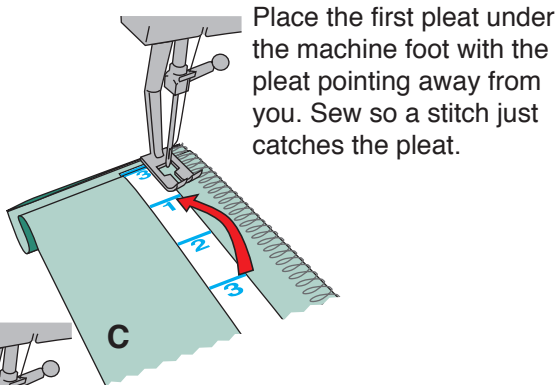
You may prefer pleating while stitching. Have an awl (Stock #: **WW32**) or a pair of Tweezers (Stock #: **DT7**) or a Stiletto (Stock #: **WW80**) handy to help feeding fabric strip under the machine foot, especially when making narrow width pleats.

Follow steps 1, 2 and 3 on page 1.

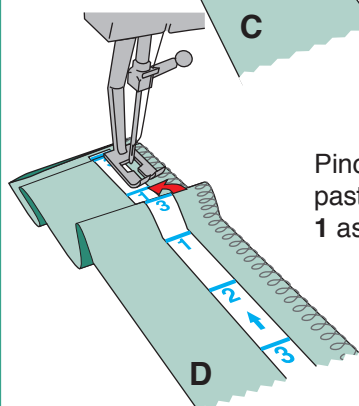
4c) To Make Knife Pleats,



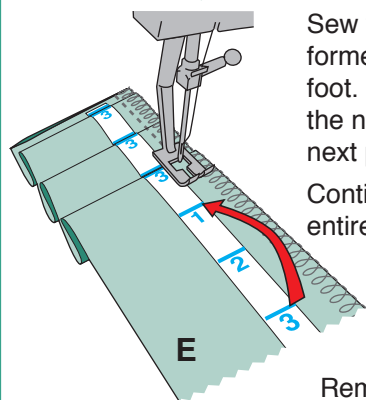
Start from top. Make the first pleat: Pinch up and crease at the first line 3, fold past line 2, to meet line 3 with line 1.



Place the first pleat under the machine foot with the pleat pointing away from you. Sew so a stitch just catches the pleat.



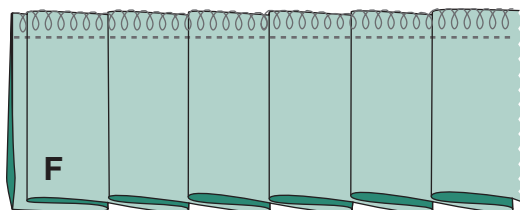
Pinch up at the next line 3, fold past line 2 to meet line 3 with line 1 as shown.



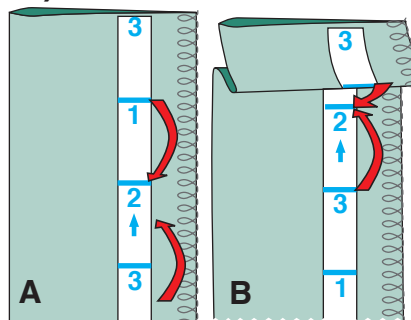
Sew while feeding the newly formed pleat under the machine foot. When a stitch just catches the new pleat, pause to form the next pleat.

Continue the process until the entire fabric strip is pleated.

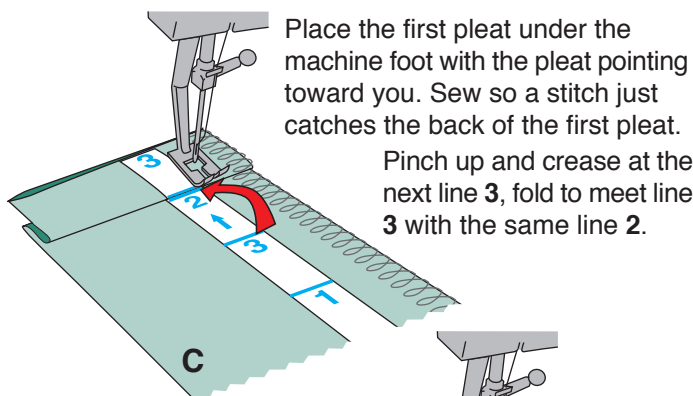
Remove the sticky paper tape.



4d) To Make Box Pleats,

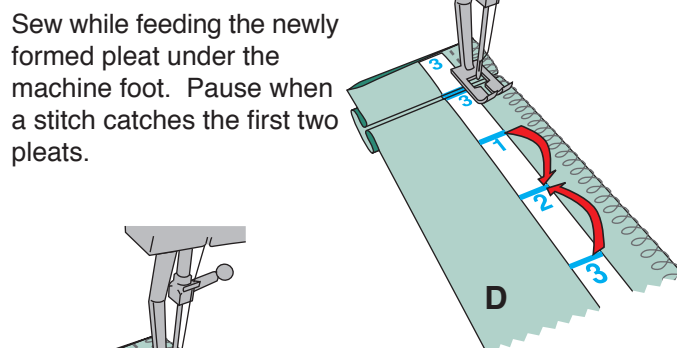


Start from top. Make the first pleat: Pinch up and crease at the first line 1, folding to meet line 1 with line 2.

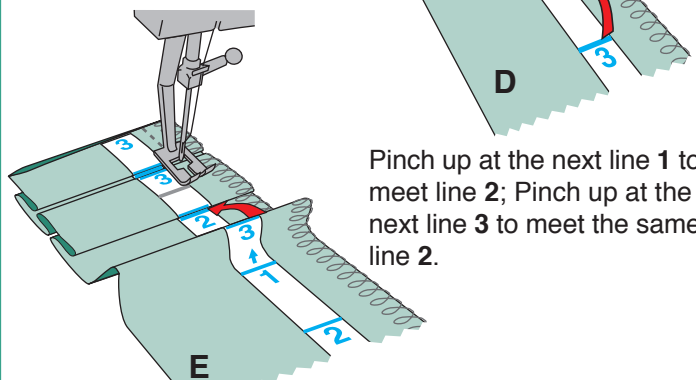


Place the first pleat under the machine foot with the pleat pointing toward you. Sew so a stitch just catches the back of the first pleat.

Pinch up and crease at the next line 3, fold to meet line 3 with the same line 2.

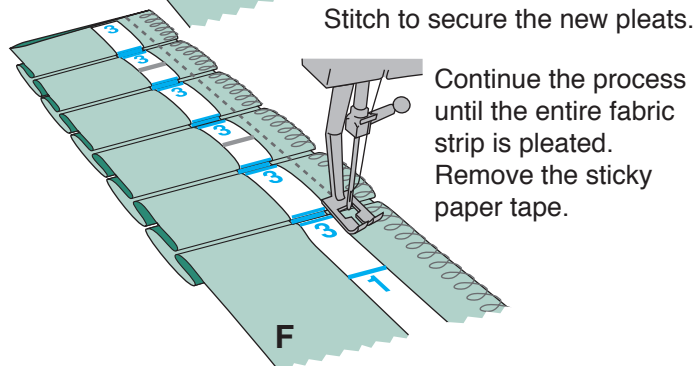


Sew while feeding the newly formed pleat under the machine foot. Pause when a stitch catches the first two pleats.



Pinch up at the next line 1 to meet line 2; Pinch up at the next line 3 to meet the same line 2.

Stitch to secure the new pleats.



Continue the process until the entire fabric strip is pleated. Remove the sticky paper tape.