

Chain Safety Shield Drill Guide Jig Instructions

Please read all instructions before starting

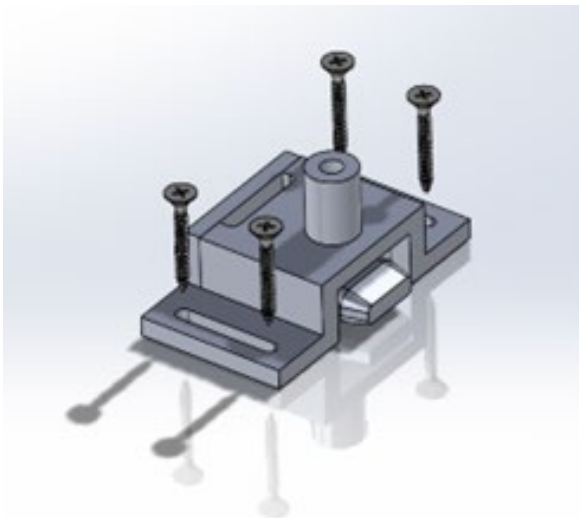
Tools Needed for Installation (not included)

- Tape Measure
- Pencil
- Level
- Drill
- 3/32" Drill Bit (.094")
- #2 Phillips Head Bit or Screwdriver
- Flat Head Screwdriver
- Screws/Fasteners
- 1/4" Drill Bit

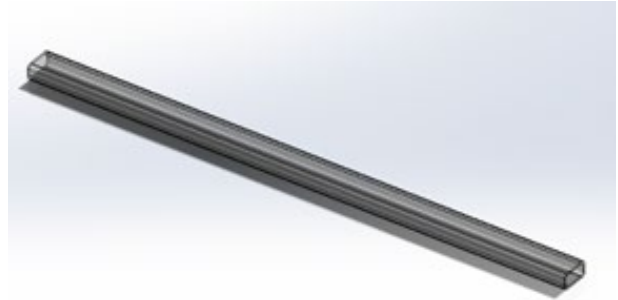


Assembly

Step 1. Mount/attach the hole Drill Guide Jig to a flat level surface with the appropriate fasteners (not included). Note that the Jig allows the drill bit to bore completely through the Chain Safety Shield and into the mounting surface. This may cause damage to the mounting surface. It is recommended that the Jig is mounted to a surface that can be drilled into or already has a hole or recess so that the drill bit can pass through freely.



Step 2. Cut the length of Chain Safety Shield to exactly 56" (or Bead Chain length - 16". After installation the Bead Chain will extend a maximum of 8" equally from the top and bottom of the Chain Shield). After the Shield is cut, remove any loose or hanging burrs.



Step 3. Insert one end of the Chain Shield into the hole drilling jig until it is flush and square against the back plate of the jig (this can be checked by looking through the slot on the top of the jig, see **Figure 3**). Use a 1/4" drill bit that is at least 1 3/4" long to bore completely through the Chain Shield. Remove the Shield from the Jig and clear away any loose or hanging burrs. Repeat **Step 3** for the other end of the Chain Safety Shield.

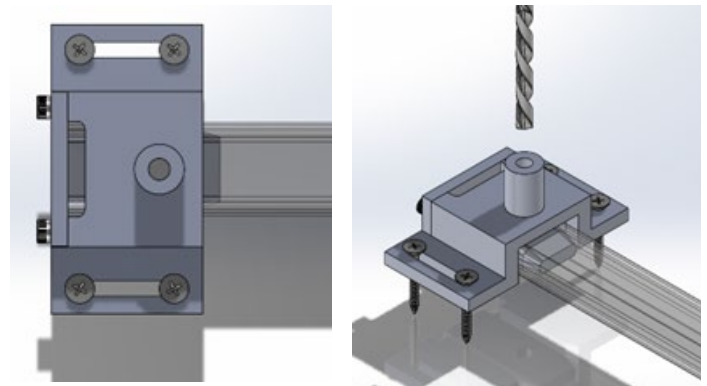


Figure 3.