

# Quick Ship 2 ¼" Ceiling Single Bracket Installation Instructions

## QS214MCMBK

### 2 ¼" Ceiling Single Bracket

Thank you for purchasing your new Paris Texas Hardware™ Brackets. Proper installation of the brackets will provide you with many years of beauty and trouble free use. Clean with a soft cloth. Do not use harsh or abrasive cleaning supplies or polishes which may damage the finish.

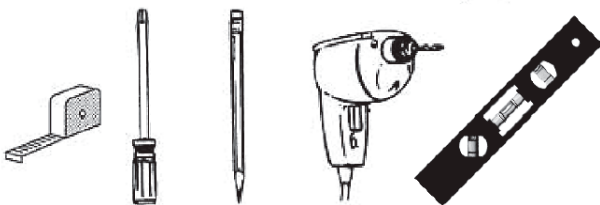
### Components Included for each Bracket

- Bracket
- Screws
- Instructions



### Tools Needed for Installation (not included)

- Tape Measure
- Pencil
- Level (recommended)
- Phillips screwdriver
- Drill with 3/16" drill bit to pre-drill for plastic expansion anchors



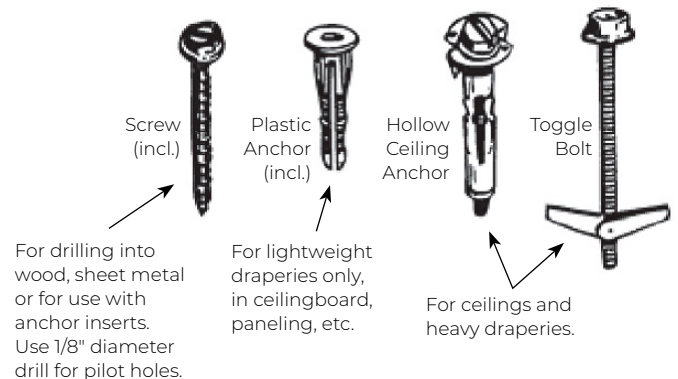
### Tips for Successful Installation

Securely attach all Brackets to the mounting surface. If you do not locate and install into wood studs, use the proper ceiling fasteners and / or plastic anchors designed for your particular mounting surface (fasteners are included). When drilling into metal, use self-tapping screws (not included).

Make certain all Brackets line up evenly by measuring their placement.

### 2 ¼" Ceiling Single Bracket Installation

1. Locate correct anchors for your ceiling type.



**IMPORTANT:** We suggest always installing brackets into ceiling studs for added security. If not installing into ceiling studs, be sure to use appropriate fasteners for your ceiling type.

Based on length of pole, width of window and position of ceiling studs, determine the desired height and width. Be certain to make the appropriate allowance for the decorative hardware.

2. Based on length of drapery and installation method (ring, ring with clip or rod pocket), establish distance of bracket from wall, using the template on the next page as a guide.
3. Once template position is established, locate cross-hairs that indicate screw placement. Firmly press pencil into cross-hairs and through paper, leaving a slight mark on the ceiling.
4. Drill a pilot hole (B) into screw placement marks. See Figure 1 on page 2. If not drilling into studs, remember to use fasteners appropriate for your ceiling type.
5. Place bracket (A) over holes (B) and drill screws (C) through the front of the bracket. NOTE: if the bracket is not flush against the ceiling, slightly back out the screws and redrill until the bracket fits securely against the ceiling.
6. While holding the second bracket in position on the opposite side of the window, place the pole in both cradles.
7. Once the pole is level, lightly mark the position of the second bracket on the ceiling.
8. Place the template into position and repeat steps 3-7. Use the same method for center support brackets.

# Quick Ship 2 1/4" Ceiling Single Bracket Template

## QS214MCMBK

### IMPORTANT for Installation

Measurements are to the nearest 1/8". Check printed template for accuracy with ruler before installation!

TIP » For best accuracy when printing this PDF, choose "none" for page scaling. Do not "fit to page."

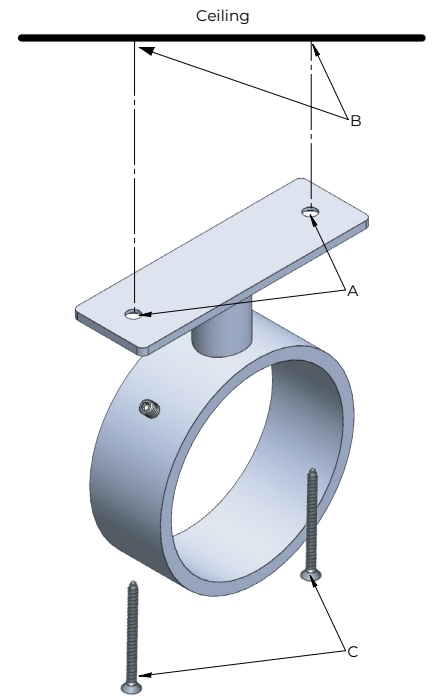
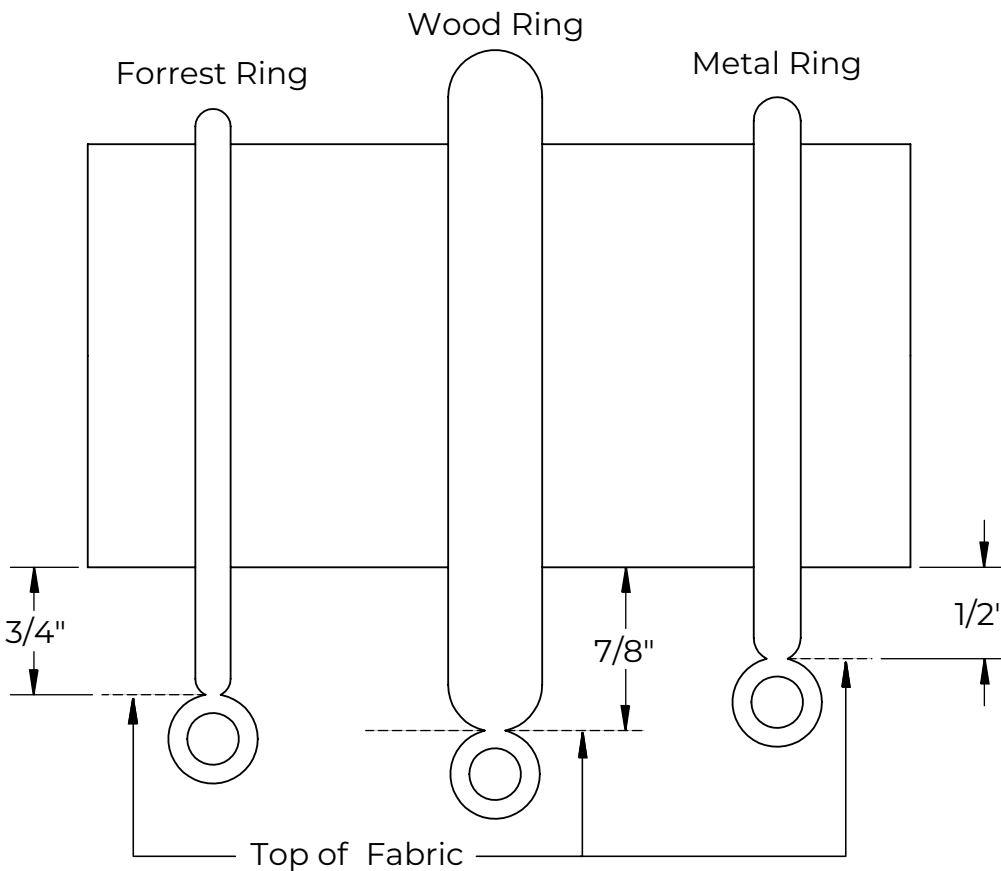
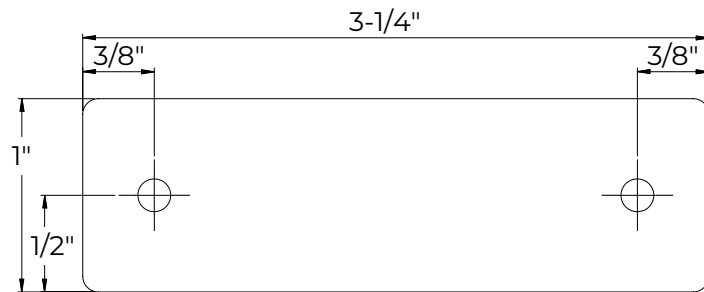


Figure 1