

Portfolio 1 1/8" Aiden Double Bracket Installation Instructions

PO118AEDBK

1 1/8" Aiden Double Bracket

Thank you for purchasing your new Paris Texas Hardware™ Brackets. Proper installation of the brackets will provide you with many years of beauty and trouble free use. Clean with a soft cloth. Do not use harsh or abrasive cleaning supplies or polishes which may damage the finish.

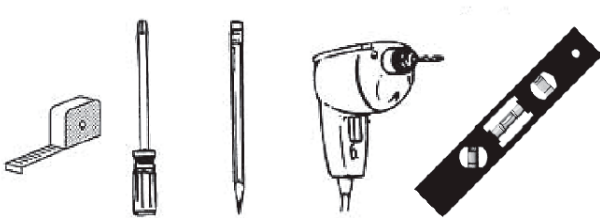
Components Included for each Bracket

- Bracket
- Screws
- Instructions



Tools Needed for Installation (not included)

- Tape Measure
- Pencil
- Level (recommended)
- Phillips screwdriver
- Drill with 3/16" drill bit to pre-drill for plastic expansion anchors



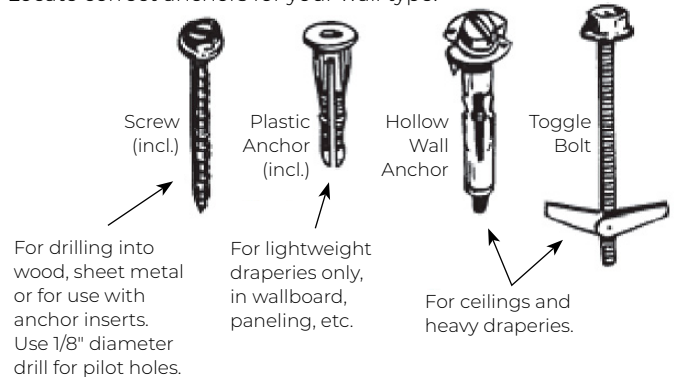
Tips for Successful Installation

Securely attach all Brackets to the mounting surface. If you do not locate and install into wood studs, use the proper wall fasteners and / or plastic anchors designed for your particular mounting surface (fasteners are included). When drilling into metal, use self-tapping screws (not included).

Make certain all Brackets line up evenly by measuring their placement.

1 1/8" Aiden Double Bracket Installation

1. Locate correct anchors for your wall type.



IMPORTANT: We suggest always installing brackets into wall studs for added security. If not installing into wall studs, be sure to use appropriate fasteners for your wall type.

Aiden Brackets are center support brackets only, and need to be used between Declan or Axel Brackets. Follow the below instructions for Aiden installation only after you follow instructions for either Declan or Axel Brackets and have secured the pole in place on either end.

2. Use the template on the next page as a guide.
3. Once template position is established, locate cross-hairs that indicate screw placement. Firmly press pencil into cross-hairs and through paper, leaving a slight mark on the wall.
4. Attach the metal base plate (B) securely to the wall by drilling into the screw placement marks, through bracket holes (A), using anchor screws (C). See Figure 1 on page 2.
5. Place bracket arm onto metal base plate (B). Tighten the set screw to secure. Attach the cover plate by screwing onto the base plate. **NOTE:** if bracket is not flush against the wall, remove the bracket from the metal key lock plate and use a screwdriver to adjust the anchor screws (A) until the bracket fits securely into the metal plate.

Portfolio 1 1/8" Aiden Double Bracket Template

PO118AEDBK

IMPORTANT for Installation

Measurements are to the nearest 1/8". Check printed template for accuracy with ruler before installation!

TIP » For best accuracy when printing this PDF, choose "none" for page scaling. Do not "fit to page."

