

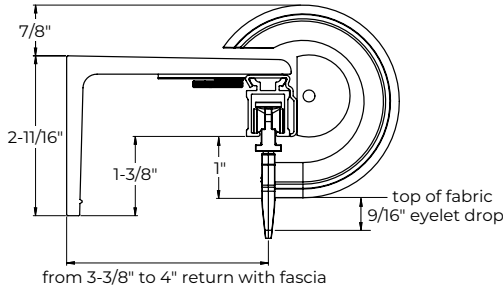
C-Rings with Fascia

- C-Rings available for 1 3/8" and 2 1/4"
- Corded or baton draw systems
- Pinch pleat only
- Not available for traverse systems with mitered returns or stationary front pole

- For double traverse systems, C-Rings are for the front track only
- Available in any of our 35 Portfolio hand painted finishes, PTH Perfect Match™ or 5 Quick Ship Wood & Resin finishes to match your fascia finish

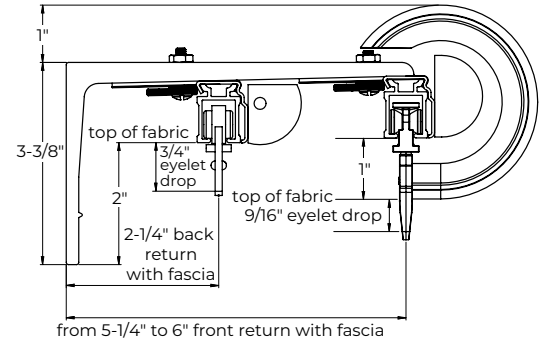
1 3/8" Single

*shown on baton draw track



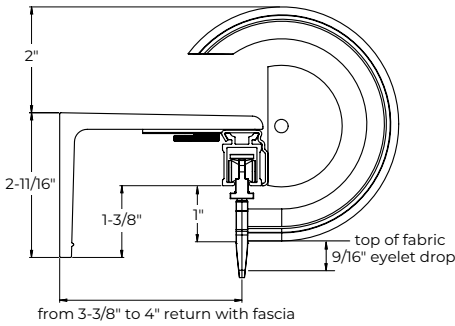
1 3/8" Double

*shown on baton draw track



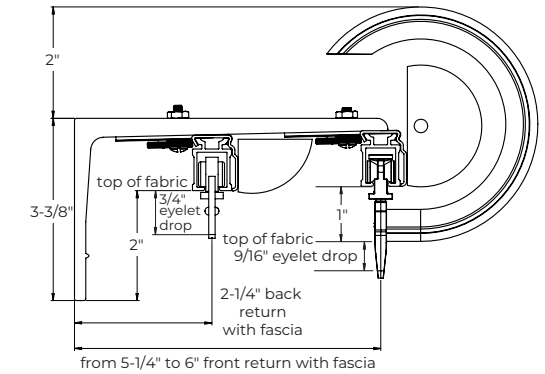
2 1/4" Single

*shown on baton draw track



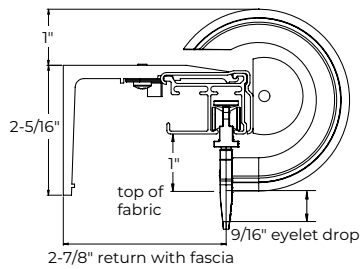
2 1/4" Double

*shown on baton draw track



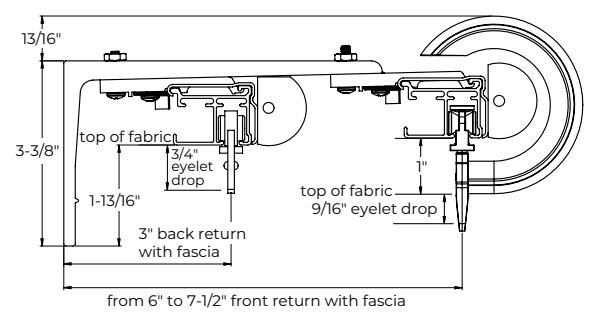
1 3/8" Single

*shown on cord draw track



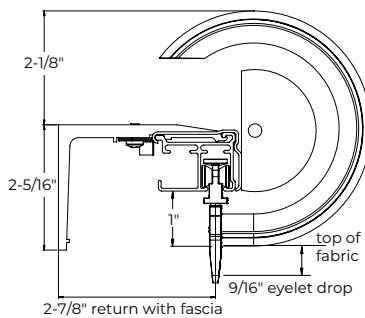
1 3/8" Double

*shown on cord draw track



2 1/4" Single

*shown on cord draw track



2 1/4" Double

*shown on cord draw track

