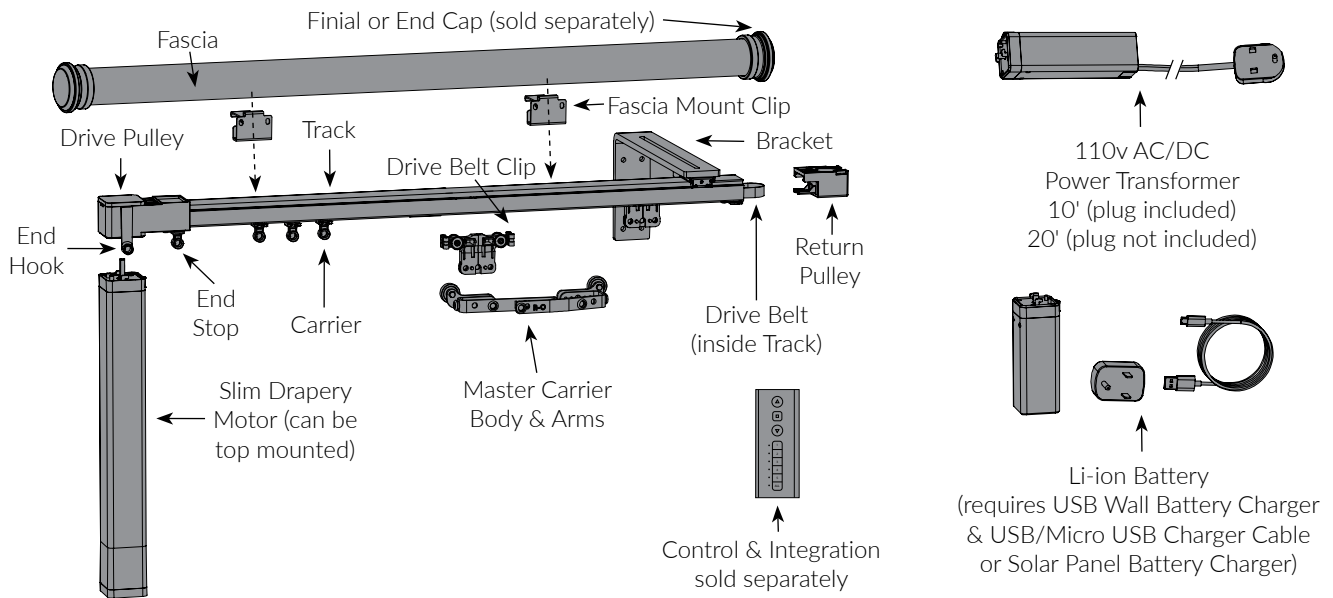


FINESTRA® WOOD AUTOMATED TRAVERSE SYSTEMS



1 – CHOOSE YOUR SYSTEM QUANTITY & LENGTH

Let our in-house experts know how many systems to assemble, custom cut to your exact specification. Minimum 37" excluding Finials. Track lengths up to 19' continuous and 36' spliced. Fascia lengths up to 12' continuous and 36' spliced.

2 – CHOOSE YOUR TRACK INFORMATION

Select from Single or Double Wall Mount with various projection options. If Double is selected, complete Back Track information if different from Front Track.

3 – CHOOSE YOUR TRACK COLOR

Select from White or Bronze. Components will match Track Color unless otherwise noted.

4 – CHOOSE YOUR MOTOR POWER

Select from Li-ion Battery or 110v AC/DC Power Transformer.

5 – CHOOSE YOUR DRAPERY STYLE, DRAW & MASTER CARRIER

Select from Pinch Pleat or Ripplefold; One-Way Draw Right or Left, or Center Draw; Overlap Master Carriers are standard, or Butt Master Carrier option can be substituted if Ripplefold Drapery Style is selected.

PINCH PLEAT

- Carriers available in White or Bronze. Please specify number of carriers.



RIPPLEFOLD

- Carriers available in White or Bronze. 60%, 80%, 100% or 120% fullness available; please specify fullness on order.
- Butt Master Carriers available, allowing some light to filter between draperies on center draw treatments.



6 – CHOOSE YOUR FINISH, FASCIA STYLE / SIZE & FINIALS

5 Quick Ship and 2 Custom Shimmer Finishes. 1 3/8" or 2" Smooth or Reeded Fascia. Finials or End Caps sold separately.

7 – CHOOSE YOUR CONTROL & INTEGRATION

Sold separately - see [compatibility chart](#). Select from a variety of remotes and wall switches, or take your drapery control to the next level by upgrading to a hub to integrate your draperies with whole home and voice control systems.