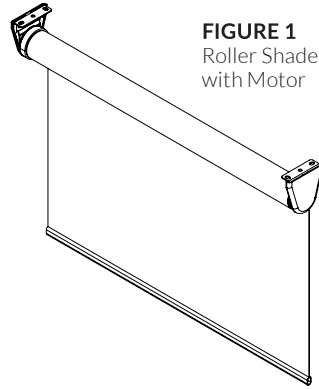


# Roller Shade Installation Instructions Using an R-TEC® Li-ion Battery Motor – 25 mm or 28 mm

Please read all instructions before starting

## INTRODUCTION:

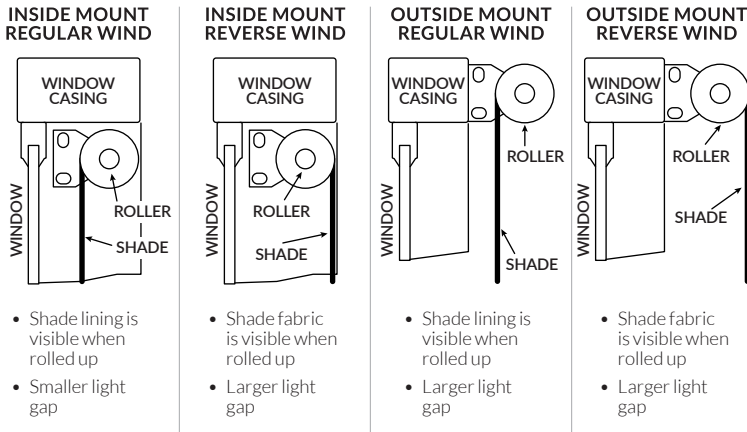
The Roller Shade Motorized System is used to electronically control the shade using a motor and remote control. The total allowable weight will depend on the motor selected (see the chart below for allowable shade weights). By using a remote control or the smart phone app the operator can raise and lower the shade smoothly and precisely. **Figure 1** shows an assembled roller shade with motor and end brackets.



**FIGURE 1**  
Roller Shade with Motor

The **Roller Shade** can be mounted either inside or outside the window casing. For an inside mount, mount the brackets as close to the window as possible, yet have enough space for the shade fabric when completely rolled up.

The shade can be regular wind or reverse wind as shown below in **Figure 2**.



**Figure 2.** Side view on the top portion of the window.

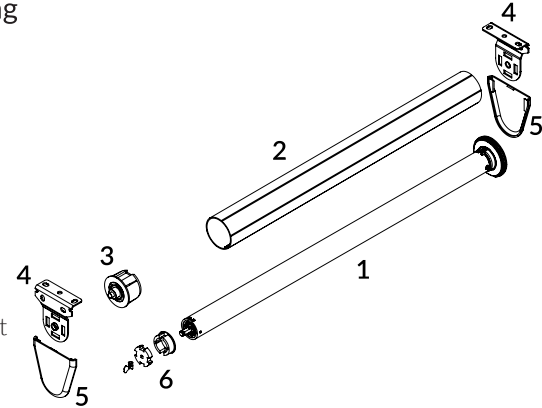
## ALLOWABLE SHADE WEIGHTS

Tubular Motor Item #	Motor Type	Tube Dia.	Maximum Shade Size	Min. Roller Shade Width/ Roller Tube Length	Min. Roman Shade Width/ Dustboard Length	Max. Shade Weight
RTA25L2C1WA	Battery	1 1/4"	84" x 84"	20"	21"	15.5lbs.
	Battery	1 1/2"	84" x 84"	20"	21"	13lbs.
RTA25L3C1WA	Battery	1 1/4"	120" x 120"	24"	25"	23.5lbs.
	Battery	1 1/2"	120" x 120"	24"	25"	17.5lbs.
RTA28L3C1WA	Battery	1 1/2"	120" x 120"	25 1/2"	26 1/2"	23.5lbs.
	Battery	2"	120" x 120"	25 1/2"	26 1/2"	17.5lbs.

## PARTS LIST:

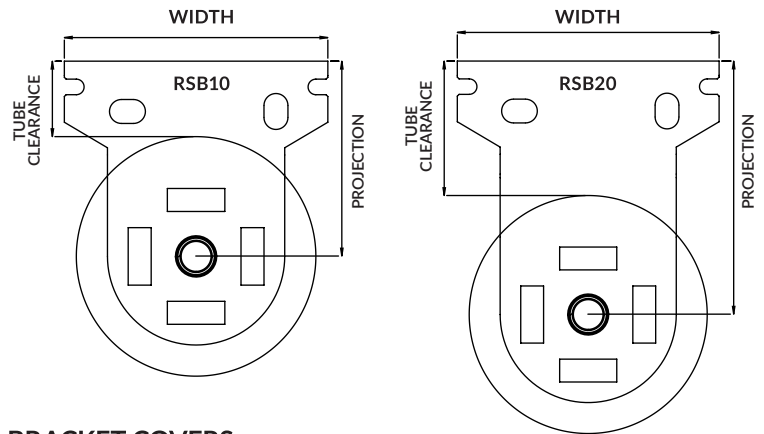
(See Figure 3)

1. Tubular Motor
2. Aluminum Roller
3. End Pin
4. Wall Brackets
5. Bracket Covers
6. Crown and Drive Set



**Figure 3:**  
Basic Components

## BRACKETS & BRACKET COVERS:



## BRACKET COVERS:

Item #	Fits
RSBC10/	RSB10
RSBC20/	RSB20

Available in White /W, Satin Nickel /SN and Black /K. Narrow brackets do not work with covers.

## BRACKETS:

Item #	Proj.	TUBE CLEARANCE			Width
		1 1/4"	1 1/2"	2"	
RSB10	1 5/8"	1"	7/8"	5/8"	2 1/4"
RSB20	2 1/8"	1 1/2"	1 3/8"	1 1/8"	2 1/4"

Zinc. Work with bracket covers.

Item #	Proj.	TUBE CLEARANCE			Width
		1 1/4"	1 1/2"	2"	
RSNB10	1 5/8"	1"	7/8"	5/8"	1 1/2"
RSNB20	2 1/8"	1 1/2"	1 3/8"	1 1/8"	1 1/2"
RSNB30	2 7/8"	2 1/4"	2 1/8"	1 7/8"	1 1/2"

Zinc. Doesn't work with bracket covers.

# Roller Shade Installation Instructions Using an R-TEC® Li-ion Battery Motor – 25 mm or 28 mm

Please read all instructions before starting

**MEASUREMENT:**

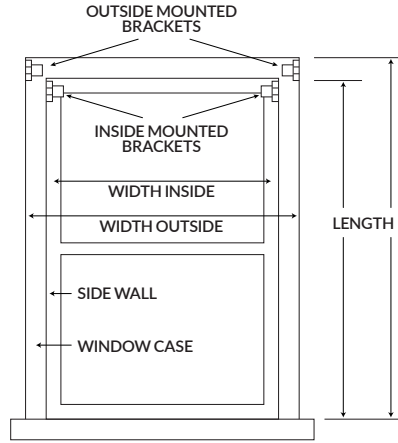
**STEP 1**

(See Figure 4)

**A. Inside Mount:** Measure the Width inside the casing (jam-to-jam, or casing-to-casing), where the brackets will be installed; and the Length from the top of the bracket to the bottom of the window. Mark your location.

**B. Outside Mount:**

Measure the Width outside between the outer edges of the window trim where the brackets will be installed; and the Length from the top of the bracket to the bottom of the window. Mark your location.



**Figure 4:** Measurements on a window

**NOTE:** Measure all windows for accuracy even though they may look the same.

**FABRICATION:**

**STEP 2**

Cut shade cloth and aluminum roller.

**A. CHART FOR SHADE CLOTH WIDTH/ROLLER TUBE LENGTH:**

Tubular Motor Item #	Motor Type	Tube Dia.	Maximum Shade Size
RTA25L2C1WA	Battery	1 1/4"	Overall Width – 1"
	Battery	1 1/2"	Overall Width – 1"
RTA25L3C1WA	Battery	1 1/4"	Overall Width – 1"
	Battery	1 1/2"	Overall Width – 1"
RTA28L3C1WA	Battery	1 1/2"	Overall Width – 1"
	Battery	2"	Overall Width – 1"

**B. CHART FOR SHADE CLOTH LENGTH** (Finished Shade Cloth

Length allows for a bottom bar pocket and to wrap around the roller at the top):

Tube Dia.	Finished Shade Cloth Length
1 1/4"	Length +11"
1 1/2"	Length +12"
2"	Length +15"

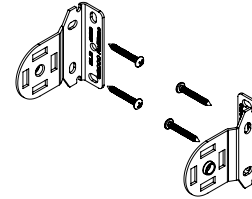
**NOTE:** Measure all windows for accuracy even though they may look the same.

**INSTALLATION:**

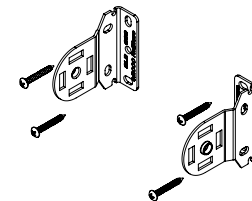
**STEP 3**

Mount the brackets to the window casing according to the marked locations in Figure 4 (see page 1). Figure 6 shows the proper bracket placement options. The left and right Skyline brackets are identical so the motor can be mounted on the left or the right side.

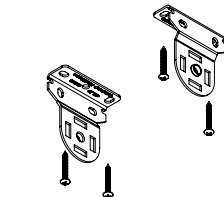
**A. To inside of window casing**



**B. To wall or front of window casing**



**C. To ceiling or top of window casing**



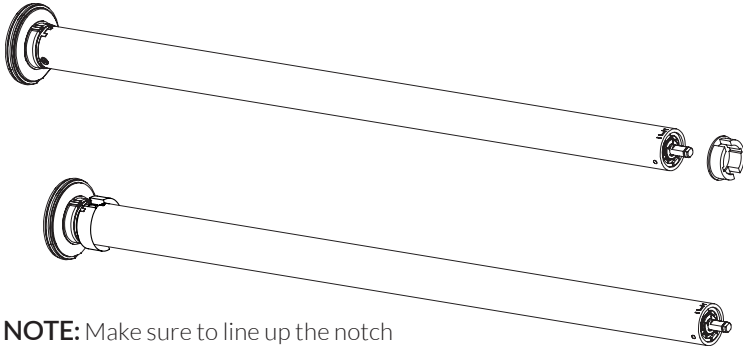
**Figure 6:** Install brackets

# Roller Shade Installation Instructions Using an R-TEC® Li-ion Battery Motor – 25 mm or 28 mm

Please read all instructions before starting

## STEP 4

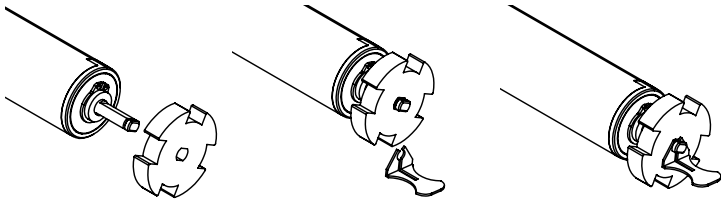
Slide the crown onto the motor as shown in **Figure 8**.



**NOTE:** Make sure to line up the notch in the crown and on the motor head.

## STEP 5

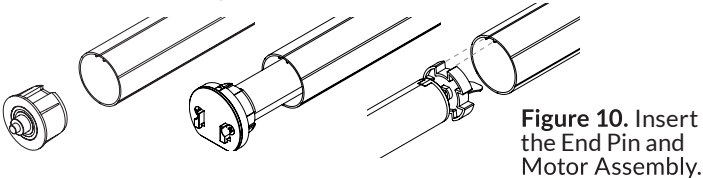
Step 5. Slide the driver onto the end of the motor shaft. Then snap the drive retainer onto the motor shaft as shown in **Figure 9**.



**Figure 9.** Slide the drive on

## STEP 6

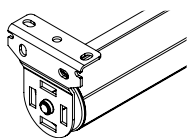
Insert the end pin and the motor assembly into the roller tube. Make sure to line up the tabs on the tube with channels on the drive and crown as shown in **Figure 10**.



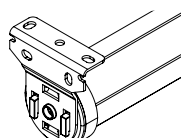
**Figure 10.** Insert the End Pin and Motor Assembly.

## STEP 7

To install, insert the end pin side of the tube into the center hole of the wall bracket shown in **Figure 11A**. While putting pressure on the spring pin, install the motor end onto the other bracket. The spring pressure will allow the tabs on the motor end to seat into the bracket as shown in **Figure 11B**.



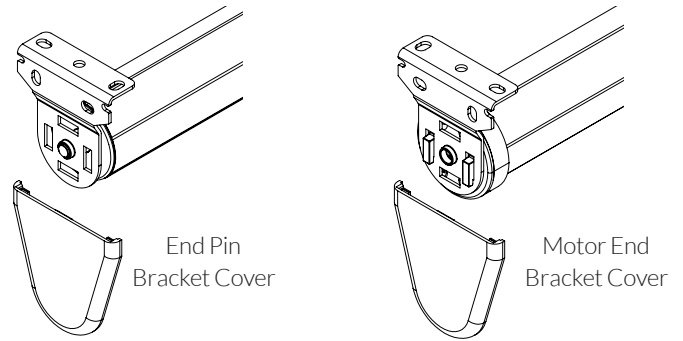
**Figure 11A**  
End pin bracket



**Figure 11B**  
Motor End Bracket

## STEP 8

Slide the bracket covers onto the brackets as shown in **Figure 12**.



**Figure 12.** Bracket Covers

## HOW TO GET STARTED USING YOUR MOTORIZED ROLLER SHADE SYSTEM WITH A BATTERY MOTOR:

- Please read all the instructions provided with your tubular motor.
- You will need a remote control or a smart phone to set up and control your tubular motor.
- Keep the cords and any loose fabric away from the rotating parts of the roller shade while in use.
- Only use charging options for your motor that are available through Rowley Company.
- Charge the battery motor fully before its first use, which will take approximately 6 hours.