

Roller Shade Installation Instructions Using a Skyline Easy Link System & Automate® DC or Li-ion Motor

Please read all instructions before starting

INTRODUCTION:

The **Skyline Easy Link System** is used with motorized drive shade systems to allow one motor to drive multiple roller shades or one wide Roman shade.

The total allowable weight will depend on the motor selected. Please refer to the relevant motor instructions.



Figure 1A below shows an assembled motorized system using a Skyline Easy Link System.

PARTS LIST. See Figure 1.

1. Male Drive
2. Bracket
3. Female Drive
4. Bearing
5. 2" Tube Adapter (if required)

Figure 1A. Assembled Motorized System Using Skyline EasyLink

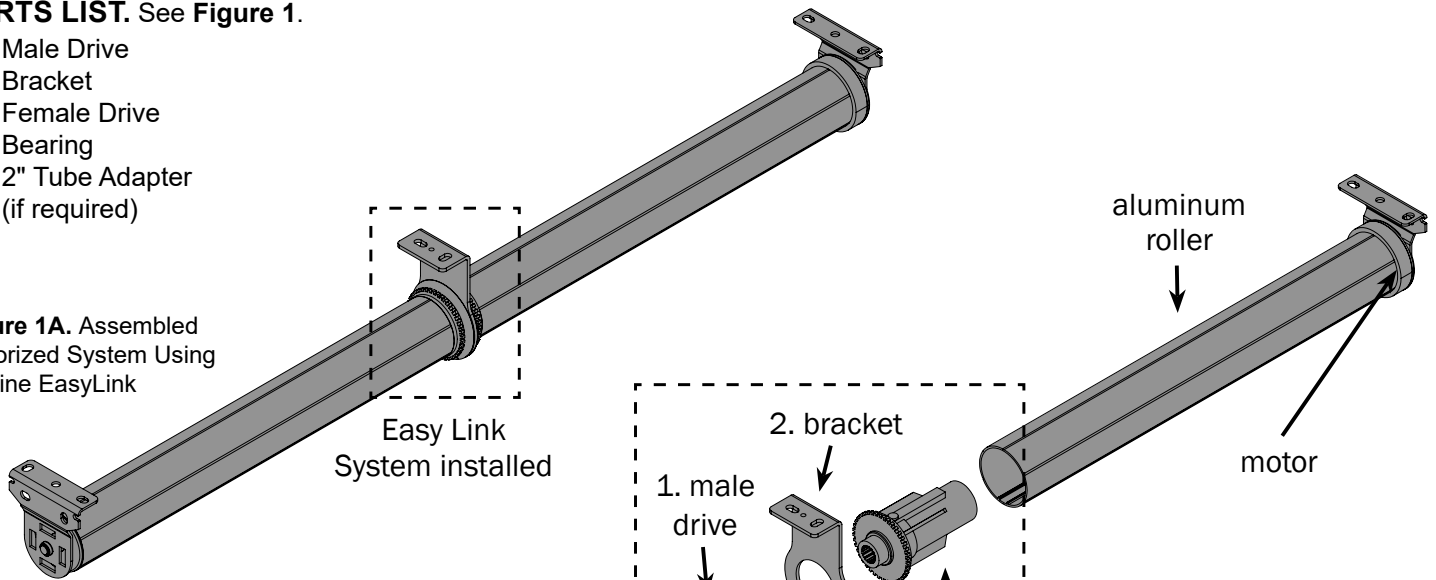
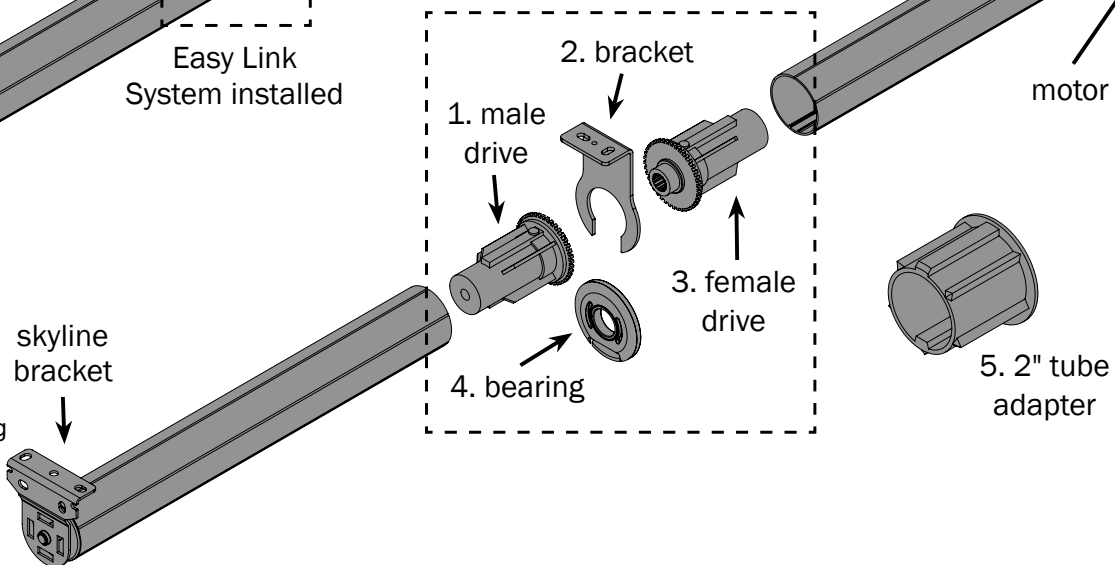


Figure 1B. Exploded Motorized System Using Skyline EasyLink



CALCULATIONS:

Step 1. Refer to the relevant instructions for motors and find Deduction-from-overall-width.



Step 2. Add Easy-Link Deduction of 3/4" to Deduction-From-Overall-Width to get total deduction.

Step 3. Calculate each tube section cut length.

EXAMPLE #1

Designed Roman shade width is 93 1/2", using 28mm Li-ion motor (MT01-1328-069008) with 1 1/2" Roller.

The Roman shade will be mount on two tube sections with an Easy Link at the center.

Deduction-from-overall-width is 1 5/16".

One Easy Link deduction is 3/4".

The total deduction is 1 5/16" + 3/4" = 2 1/16", or there needs to be 1 1/16" deduction from each tube section.

Each tube section is 93 1/2" - 2 1/16" divided by 2, or 45 11/16".

EXAMPLE #2

Designed to have two Roller shades to cover an 105 5/8" wide space, using 28mm DC motor (MT01-1228-069002) with 1 1/2" Roller.

Easy Link needs to be placed at 46 1/2" from left end.

Deduction-from-overall-width is 1 5/16".

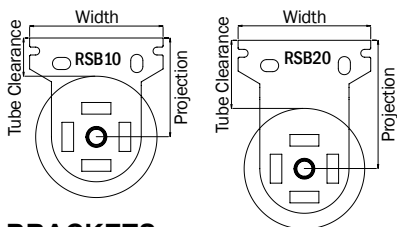
One Easy Link deduction is 3/4".

The total deduction is 1 5/16" + 3/4" = 2 1/16", or there needs to be 1 1/16" deduction from each tube section.

The left tube section is 46 1/2" - 1 1/16", or 45 7/16".

The right tube section is 105 5/8" - 46 1/2" - 1 1/16", or 58 1/6".

BRACKETS & BRACKET COVERS:



BRACKET COVERS:

Item #	Fits
RSBC10/	RSB10
RSBC20/	RSB20

Available in White /W, Satin Nickel /SN and Black /K. Narrow brackets do not work with covers.

BRACKETS:

Item #	Proj.	Tube Clearance			Width
		1 1/4"	1 1/2"	2"	
RSB10	1 5/8"	1"	7/8"	5/8"	2 1/4"
RSB20	2 1/8"	1 1/2"	1 3/8"	1 1/8"	2 1/4"

Zinc. Work with bracket covers.

Item #	Proj.	Tube Clearance			Width
		1 1/4"	1 1/2"	2"	
RSNB10	1 5/8"	1"	7/8"	5/8"	1 1/2"
RSNB20	2 1/8"	1 1/2"	1 3/8"	1 1/8"	1 1/2"
RSNB30	2 7/8"	2 1/4"	2 1/8"	1 7/8"	1 1/2"

Zinc. Don't work with bracket covers.

MEASUREMENT:

Step 1. See **Figure 2.**

A. Inside Mount: Measure the Width inside the casing (jam-to-jam, or casing-to-casing), where the brackets will be installed; and the Length from the top of the bracket to the bottom of the window. Mark your location.

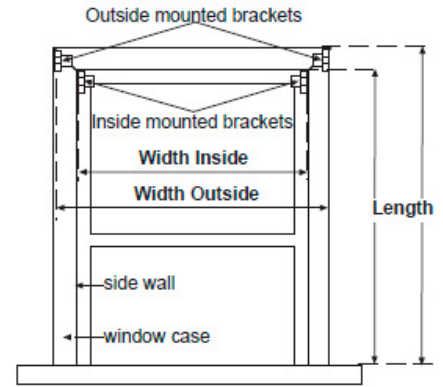


Figure 2. Measurements on a window

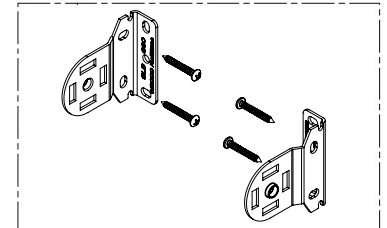
B. Outside Mount: Measure the Width outside between the outer edges of the window trim where the brackets will be installed; and the Length from the top of the bracket to the bottom of the window. Mark your location.

NOTE: Measure all windows for accuracy even though they may look the same.

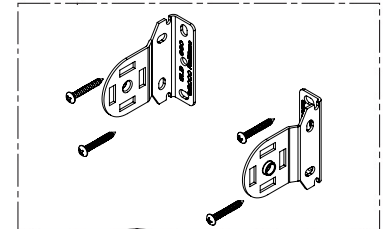
INSTALLATION:

Step 1. Mount the brackets to the window casing according to the marked locations in **Figure 2** (see above). **Figure 3** shows the proper bracket placement options. The left and right Skyline brackets are identical so the motor can be mounted on the left or the right side.

A. To Inside of Window Casing



B. To Wall or Front of Window Casing



C. To Ceiling or Top of Window Casing

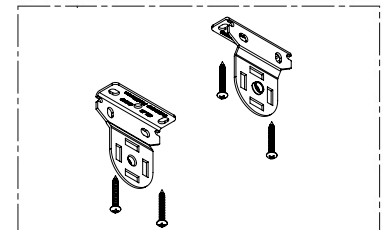
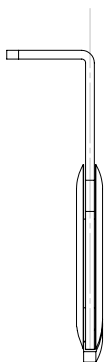


Figure 3. Install Brackets

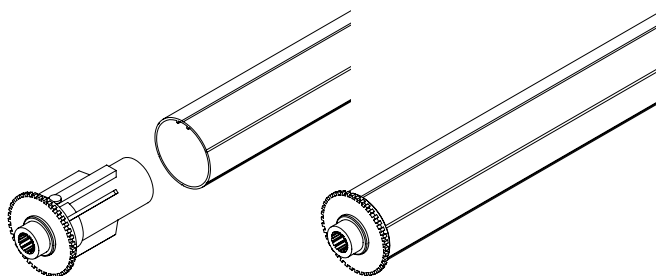
Step 2. Mark and mount the Easy Link bracket between the two end brackets, determined by the min. and max. allowable shade size and roller tube length. Measure the location of Easy Link bracket using the centerline of the bracket arm, not the mounting holes.



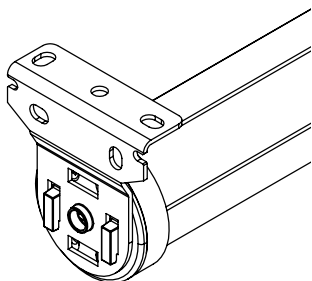
Step 3. Install the Easy Link Bearing into the bracket. The groove on the OD of the bearing will clip into the bracket.



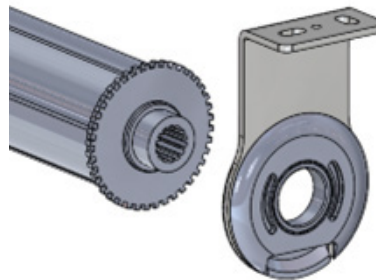
Step 4. Install the Female Drive into the end of the Tube. Make sure to align the groove in the tube with the large spline on the female drive.



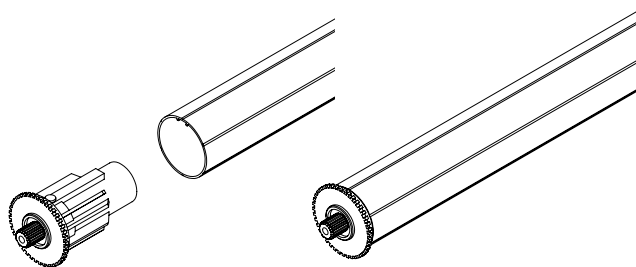
Step 5. Insert the tabs on the motor side into the skyline bracket.



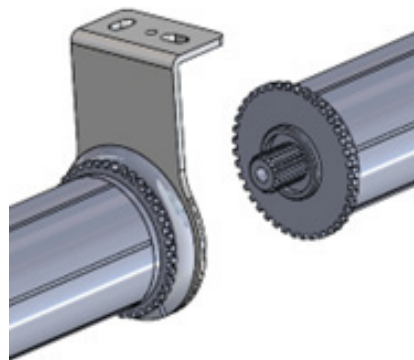
Step 6. Rotate the splined collar on the Female Drive End, which will retract the spring loaded pin to be inserted into the hole in the bearing.



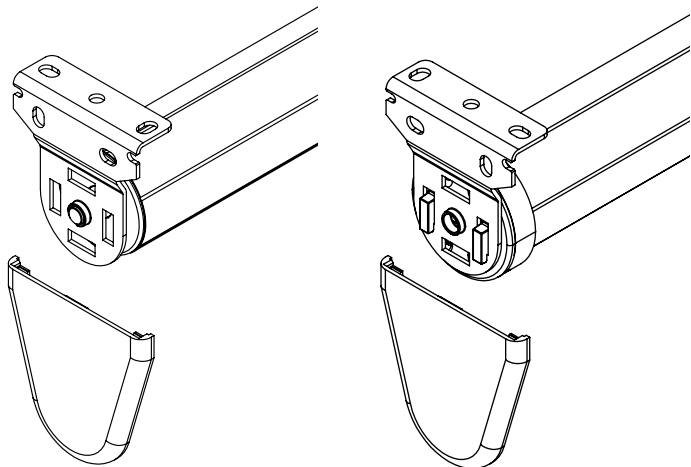
Step 7. Install the Male Drive into the end of the Tube. Make sure to align the groove in the tube with the large spline on the male drive.



Step 8. Rotate the splined collar on the Male Drive end, this will retract the spring loaded pin to be inserted into the hole in the bearing. Make sure both male and female drives are connected into each other in the bearing.



Step 9. Slide the bracket covers onto the brackets.



How to get started using your Motorized Roller Shade System with a Li-ion Battery Motor:

- Please read all the instructions provided with your tubular motor.
- Your motor will be shipped in “sleep mode” and must be woken up before using.
- You will need a remote control or a smart phone to set up and control your tubular motor.
- Keep the cords and any loose fabric away from the rotating parts of the roller shade while in use.
- Only use charging options for your motor that are available through Rowley Company.
- Charge the battery motor fully before its first use, which will take approximately 6 hours.
- Battery motors will have an antenna cord out the end of the motor.

How to get started using your Motorized Roller Shade System with a DC Motor:

- Please read all the instructions provided with your tubular motor.
- Your motor will be shipped in “sleep mode” and must be woken up before using.
- You will need a remote control or a smart phone to set up and control your tubular motor.
- Keep the cords and any loose fabric away from the rotating parts of the roller shade while in use.
- Only use power options for your motor that are available through Rowley Company.
- DC motors will have an antenna cord out the end of the motor.