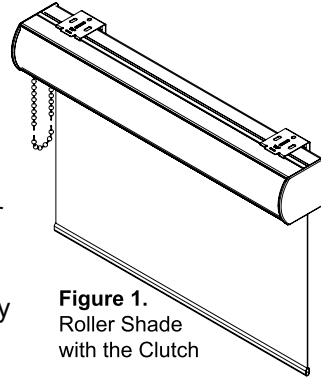


# Roller Shade Clutch Installation Instructions Using Skyline Clutches in a Cassette Mount

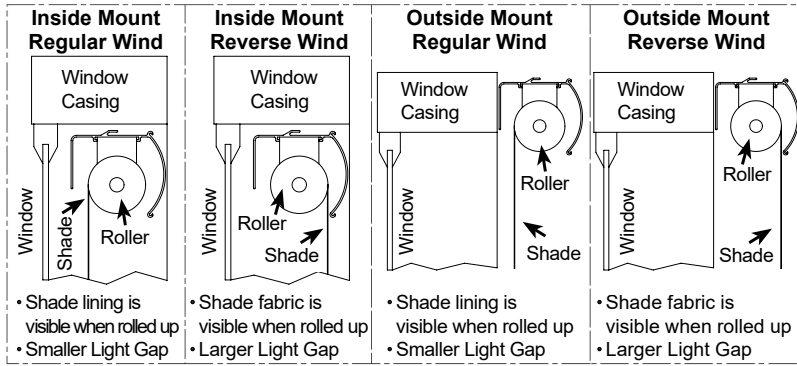
Please read all instructions before starting

## INTRODUCTION:

The **Roller Shade Clutch System** is used to manually control roller shades. The total allowable shade weight will depend on the tube diameter and the clutch selected (see the chart below for allowable shade weights). By pulling the drive bead chain loop, the operator can raise and lower the shade smoothly and precisely. **Figure 1** shows an assembled roller shade with clutch in a cassette mount. The **Roller Shade** can be mounted either inside or outside the window casing. Use the smallest diameter roller tube for your application to ensure you have space inside the cassette when the shade fabric is completely rolled up. The shade can be regular wind or reverse wind as shown below in **Figure 2**.



**Figure 1.**  
Roller Shade  
with the Clutch



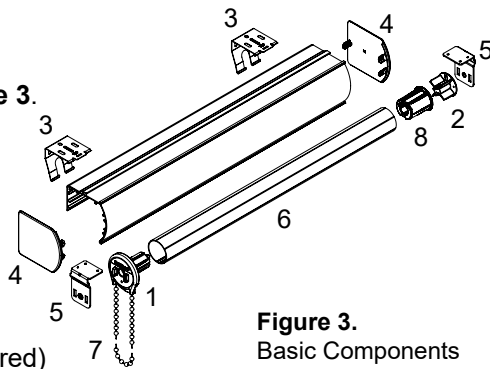
**Figure 2.** Side view on the top portion of the window

## ALLOWABLE SHADE WEIGHTS:

| Clutch Item # | Tube Dia. | Roller      |
|---------------|-----------|-------------|
| RSC10118      | 1 1/8"    | 11 Pounds   |
| RSC10114      | 1 1/4"    | 10 Pounds   |
| RSC10112      | 1 1/2"    | 8 Pounds    |
| RSC15118      | 1 1/8"    | 16.5 Pounds |
| RSC15114      | 1 1/4"    | 15 Pounds   |
| RSC15112      | 1 1/2"    | 12 Pounds   |
| RSC20112      | 1 1/2"    | 20 Pounds   |
| RSC20200      | 2"        | 15 Pounds   |

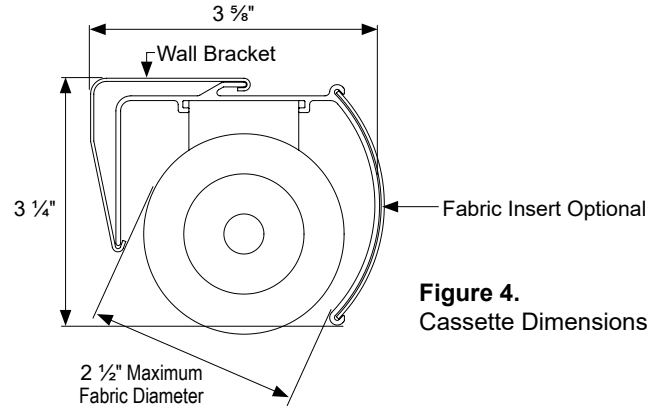
## PARTS LIST. See Figure 3.

1. Clutch Unit
2. End Plug
3. Wall Brackets
4. Cassette End Caps
5. Cassette Brackets
6. Aluminum Roller
7. Bead Chain Loop
8. Tube Adapter (as required)



**Figure 3.**  
Basic Components

## CASSETTE DIMENSIONS. See Figure 4.

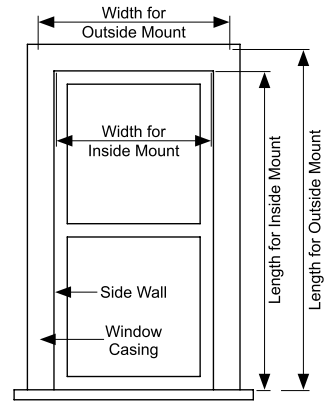


**Figure 4.**  
Cassette Dimensions

## MEASUREMENT:

**Step 1.** See **Figure 5**.

- A. Inside Mount:** Measure the Width inside the casing (jam-to-jam, or casing-to-casing), where the cassette will be installed; and the Length from the top of the cassette to the bottom of the window. Mark your location.



**Figure 5.** Measurements on a window

- B. Outside Mount:** Measure the Width outside between the outer edges of the window trim where the cassette will be installed; and the Length from the top of the cassette to the bottom of the window. Mark your location.

**NOTE:** Measure all windows for accuracy even though they may look the same.

## FABRICATION:

**Step 2.** Use a fine tooth hacksaw to cut the cassette to the proper length. The length of the cassette should be the overall width you measured in Step 1 minus 1/4" to allow for the cassette end caps.

**NOTE:** Be sure to mark and cut the cassette straight and not at an angle as it will not allow the end caps to fit properly.

**FABRICATION:**

**Step 3.** Cut shade cloth and aluminum roller.

**A. Chart for Shade Cloth Width/ Roller Tube Length**

| Clutch Item # | Clutch Size | Tube Dia. | Shade Cloth Width/Roller Tube Length |
|---------------|-------------|-----------|--------------------------------------|
| RSC10118      | SL10        | 1 1/8"    | Overall Cassette Width - (1-1/4")    |
| RSC10114      | SL10        | 1 1/4"    | Overall Cassette Width - (1-1/4")    |
| RSC10112      | SL10        | 1 1/2"    | Overall Cassette Width - (1-1/4")    |
| RSC15118      | SL15        | 1 1/8"    | Overall Cassette Width - (1-1/4")    |
| RSC15114      | SL15        | 1 1/4"    | Overall Cassette Width - (1-1/4")    |
| RSC15112      | SL15        | 1 1/2"    | Overall Cassette Width - (1-1/4")    |
| RSC20112      | SL20        | 1 1/2"    | Overall Cassette Width - (1-5/16")   |
| RSC20200      | SL20        | 2"        | Overall Cassette Width - (1-5/16")   |
| RSG200HD112   | SG200       | 1 1/2"    | Overall Cassette Width - (1-7/16")   |
| RSG200HD200   | SG200       | 2"        | Overall Cassette Width - (1-7/16")   |

**B. Chart for Shade Cloth Length (Finished Shade Cloth Length allows for a bottom bar pocket and to wrap around the roller at the top):**

| Tube Dia. | Finished Shade Cloth Length |
|-----------|-----------------------------|
| 1 1/8"    | Length + 10"                |
| 1 1/4"    | Length + 11"                |
| 1 1/2"    | Length + 12"                |
| 2"        | Length + 15"                |

**NOTE:** Cut the shade cloth square to ensure the shade will travel up and down and not track to the left or right.

**Step 4.** Peel the yellow plastic backing from the sticky tape on the roller. For a regular wind shade, affix the top face of your shade cloth to the roller. For a reverse wind shade, affix the backside of the shade cloth to the roller. Make sure to adhere the cloth straight onto the roller so the shade rolls up evenly.

**Step 5.** Insert bead chain into the clutch as shown in **Figure 6**.

**NOTE:** To reduce the chance of a child entangling in the drive bead chain loop, we suggest using the shortest one possible. If you're using a bead chain by the roll and a chain connector to form the chain loop, use the chart below to determine how long to cut the bead chain. For elevated widows you can use a longer chain, but you cannot use a shorter length.

| Clutch Item # | Clutch Max. Width | Clutch Size | Tube Dia. | Bead Chain Length when using a Chain Connector |
|---------------|-------------------|-------------|-----------|--|
| RSC10118      | 2"                | SL10        | 1 1/8"    | Finished Shade Length x 1.5                    |
| RSC10114      | 2"                | SL10        | 1 1/4"    | Finished Shade Length x 1.3                    |
| RSC10112      | 2"                | SL10        | 1 1/2"    | Finished Shade Length x 1.1                    |
| RSC15118      | 2-5/16"           | SL15        | 1 1/8"    | Finished Shade Length x 1.7                    |
| RSC15114      | 2-5/16"           | SL15        | 1 1/4"    | Finished Shade Length x 1.5                    |
| RSC15112      | 2-5/16"           | SL15        | 1 1/2"    | Finished Shade Length x 1.3                    |
| RSC20112      | 2-11/16"          | SL20        | 1 1/2"    | Finished Shade Length x 1.6                    |
| RSC20200      | 2-11/16"          | SL20        | 2"        | Finished Shade Length x 1.2                    |
| RSG200HD112 * | 2-11/16"          | SG200       | 1 1/2"    | Finished Shade Length x 2.6                    |
| RSG200HD200 * | 2-11/16"          | SG200       | 2"        | Finished Shade Length x 2                      |

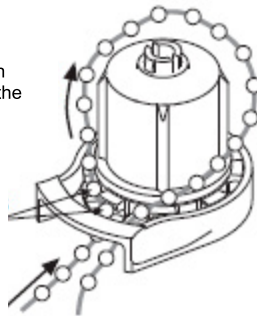
\*For RSG200HD112 and RSG200HD200, it may not be practical to use a chain connector to form chain loop. Use prefabricated chain loop instead, or form metal chain loop using a bead chain tool.

**Step 5C.** Pull here on bead chain to rotate the pulley clockwise.

**Step 5B.** Put two consecutive beads in the pulley.

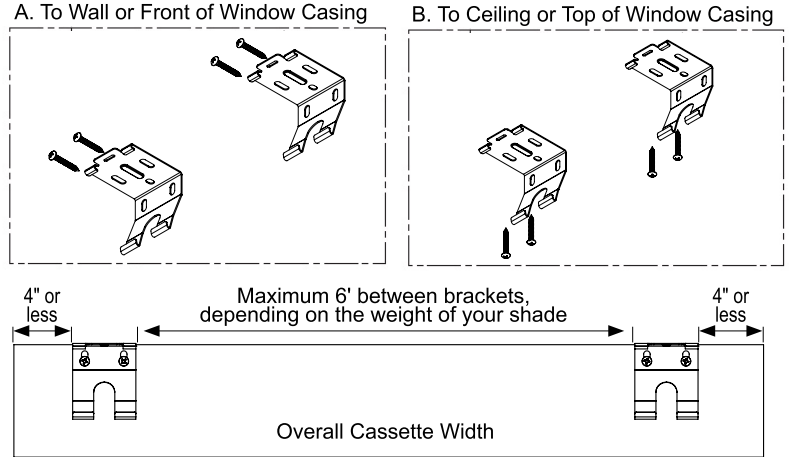
**Step 5A.** Insert Bead Chain here.

**Figure 6.** Insert Bead Chain



**INSTALLATION:**

**Step 6.** Mount the brackets to the window casing according to the marked locations in **Figure 5** (see page 1). **Figure 7** shows the proper placement options. Brackets should be mount no more than 4" from the end of the cassette. For long cassettes, use more wall brackets. Maximum 6' between wall brackets, depending on the weight of your shade.

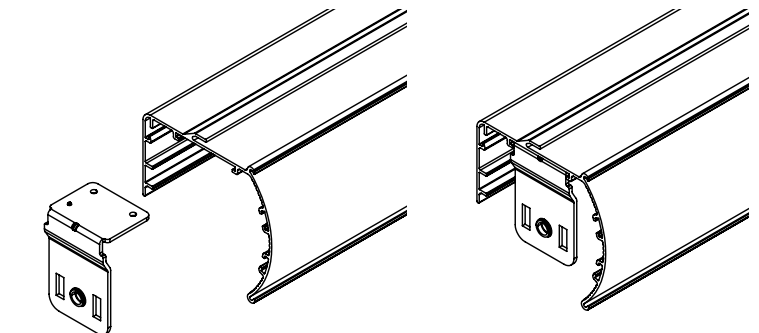
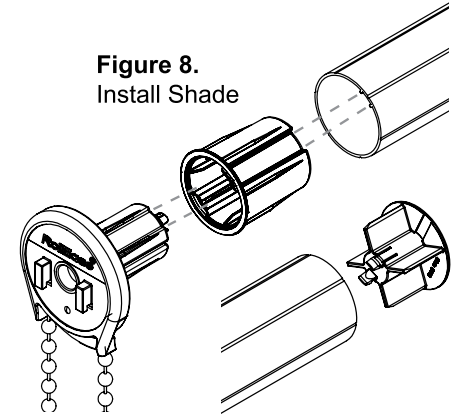


**Figure 7.** Install Brackets

**Step 7.** Insert the clutch and the end plug (and tube adapter where required) into the roller tube as shown in **Figure 8**. Make sure the tabs on the inside of the roller tube fit into the channel on the clutch.

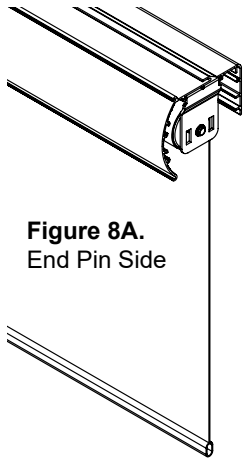
**Step 8.** Insert a cassette bracket into the cassette as shown in **Figure 9**. Tap into place with a hammer until the bracket is even with the end of the cassette. Repeat for the other end.

**Figure 8.** Install Shade

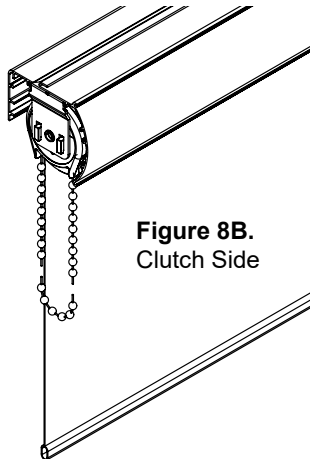


**Figure 9.** Cassette Brackets

**Step 9.** To install, insert the pin on the end plug into the center hole of the cassette bracket shown in **Figure 8A**. While putting pressure on the spring pin install the clutch onto the other bracket. The spring pressure will allow the tabs on the clutch to seat into the bracket as shown in **Figure 8B**. The bottom of the clutch should always point straight down. The cassette brackets are identical so the clutch can be mounted on the left or right side.

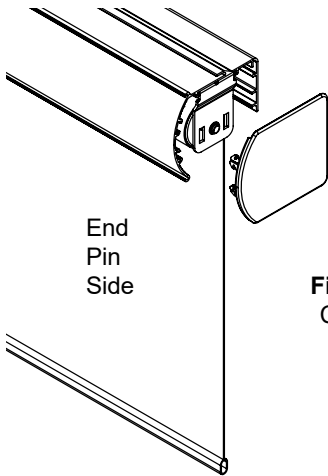


**Figure 8A.**  
End Pin Side

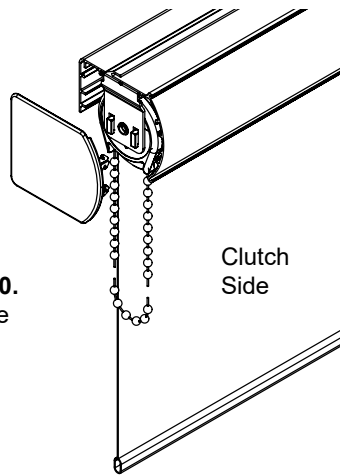


**Figure 8B.**  
Clutch Side

**Step 10.** Insert the cassette covers onto the cassette as shown in **Figure 10**.



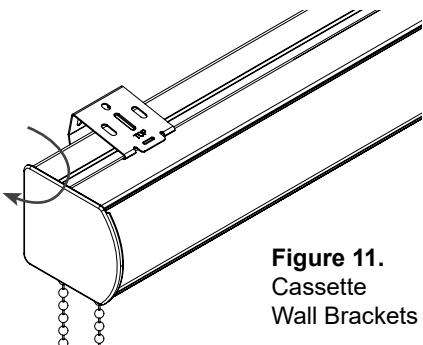
End  
Pin  
Side



Clutch  
Side

**Figure 10.**  
Cassette  
Covers

**Step 11.** Hook the channel that's on top of the cassette onto the wall bracket as shown in **Figure 11**. Then rotate the entire cassette until it snaps onto the lower hook on the bracket.



**Figure 11.**  
Cassette  
Wall Brackets

