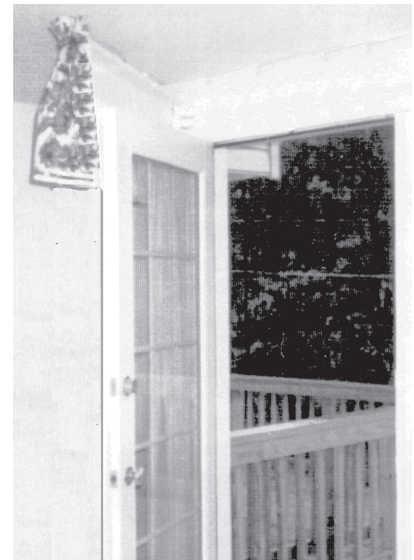
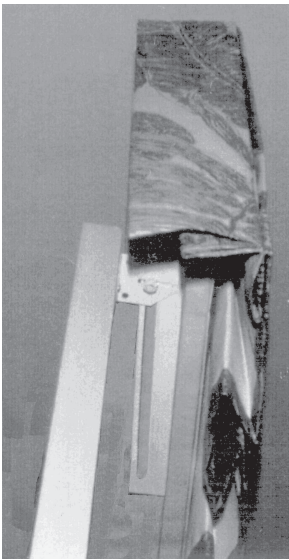


Swinging Door Top Treatment Kit Introduction

The Swinging Door Top Treatment Kit is a unique system. It allows top treatments to be mounted over Swinging Doors (including French doors, etc.) at the same height as adjoining window treatments, resulting in a consistent and unbroken design line.

On single or double doors, a cornice (with an optional soft treatment attached) is mounted to the wall above and outside the door molding. One end is hinged, while the other end is attached to the door with Slot-Track and L brackets. The Swinging Door Top Treatment Kit allows free movement of the door while supporting and maintaining contact with the cornice as shown in the following pictures.



The Kit includes:

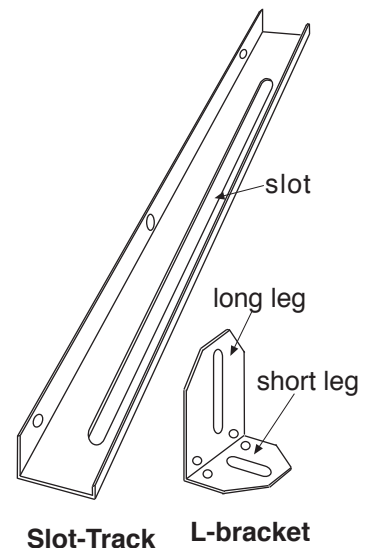
- 1 ea. Slot-Track and L-bracket, as shown in the right figure
- 1 ea. pin assembly (1 ea. plastic shoulder, #8 machine screw, lock nut)
- 2 loose pin hinges, and 2 angle irons
- 8 ea. $\frac{1}{2}$ " flat phillips round head screws, 9 ea. $\frac{3}{4}$ " slotted hex head screws, and 4 ea. slotted hex head screws (for installing angle irons onto the wall)
- Instructions.

Note: For heavy top treatments, use more angle irons and hinges, or use larger angle irons and a piano hinge strip.

We suggest installing the cornice with this Kit to the door before installing top treatments to the adjacent windows to assure consistent height. The general procedure should be:

1. Build cornice box,
2. Upholster cornice, we suggest using our Cornice Padding (Stk# PA27)
3. Install cornice with this Kit,
4. Install window top treatment.

The cornice should have the hinged side left open so that it can be attached to a hinge block, see fig 1 and 5 on page 2. Plywood $\frac{5}{8}$ " or thicker should be used for the front board, and 1" lumber should be used for the dust board, return and hinge block. The cornice could be covered with cornice board padding and fabric, or painted. If a soft top treatment, such as a swag or valance, is used, a front board, fig 1, is still needed to provide extra support and a place to mount the Slot-Track. The soft top treatment can be attached to the dust board, and a return flap can be attached to the hinge block with hook and loop. If there is a drapery rod underneath the cornice, install rod below the Slot-Track on the cornice or the door.



Swinging Door Top Treatment Kit

Installation Guide

1. Attach the two **Hinges** to the **Hinge Block** and the **Front Board** as shown in fig 1 and 5. The knuckles of the **Hinges** should be facing out. The distance between two **Hinges** should be as large as possible to better support the **Cornice**. The head of the **Hinge Pin** should be on top of the **Hinge** to prevent the **Pin** from dropping out.
2. Remove the **Hinge Pins** from the **Hinges**.

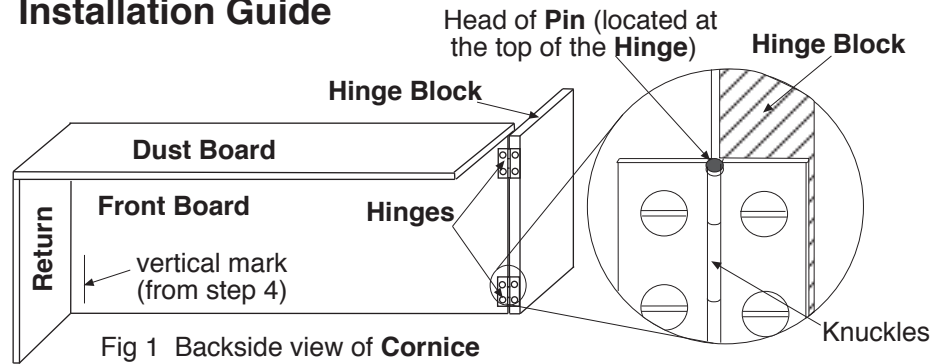


Fig 1 Backside view of **Cornice**

3. Attach the **Hinge Block** to the wall with two **Angle Irons** as shown in fig 2. The **Hinge Block** should be placed as close as possible to the **Door Molding**. The bottom edge of the **Block** should be 1" to 2" lower than the top edge of the **Door**. The top edge of the **Block** should be at least 2" lower than the ceiling. The distance between the hinged edge of the **Door** and the **Hinge Knuckles** on the **Hinge Block** should not exceed 6 1/2" (see fig 5a and 5b). This will allow the **Door** to swing fully open after **Swinging Door Top Treatment Kit** is installed. Make sure the **Hinge Block** is vertical, so the **Cornice** is horizontal.

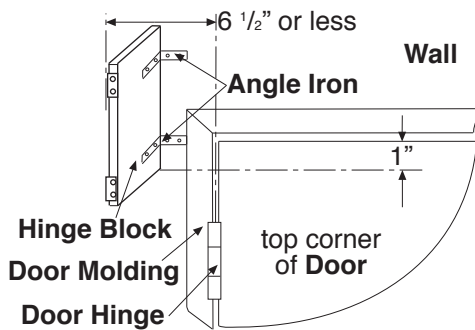


Fig 2 Front view around top corner of **Door**

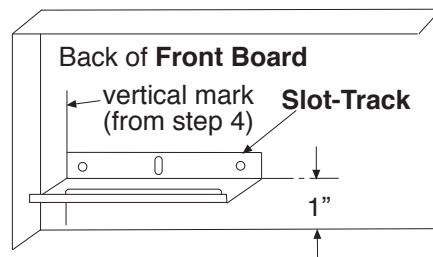


Fig 3 Backside view of **Cornice**

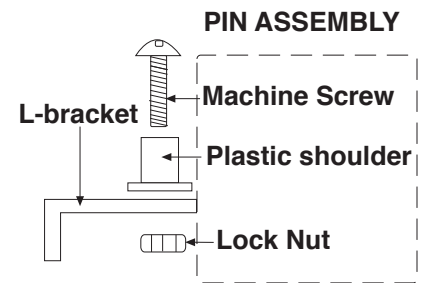


Fig 4 **Pin Assembly/L-bracket**

4. Attach **Cornice** to the **Hinge Block** by reinserting **Hinge Pins** from top to bottom (head of the **Hinge Pin** on top). Close the **Door** and **Cornice**. Make a vertical mark on the back of **Front Board** corresponding to the vertical edge of the **Door** opening for installing the **Slot-Track** as shown in fig 1 and 3.
5. Remove the **Hinge Pins**, take the **Cornice** off, and install the **Slot-Track** on the inside of the **Front Board**, 1" up from and parallel to the bottom and line up the end of the **Slot-Track** with the vertical mark as shown in fig 3.
6. Put the **Cornice** back on the **Hinge Block**. Close the **Door** and **Cornice**, and measure the distance between the **Door** and the **Front Board**. If this distance is between 3" and 3 1/2", the **Pin Assembly** should be loosely placed in the slot of the long leg of **L-bracket** as shown in fig 4. If it is between 1 1/2" to 2", loosely place the **Pin Assembly** in the slot of short leg. If the distance is out of these ranges, spacers, Stk# BB15, are needed to add length to either the short leg or long leg of the **L-bracket**. Insert the **Pin/Assembly** 1/4" from the end of **Slot-Track** slot closest to the opening of the door as shown in fig 5, lift the **Cornice** slightly, press the **L-bracket** against the door, mark the screw holes of the **L-bracket**.
7. Swing the **Cornice** away from the **Door**, and attach the **L-bracket** to the **Door**. Swing the **Cornice** back, lift it slightly, and make sure the **Slot-Track** slot rests on the **Pin Assembly/L-bracket** as shown in fig 5. Push **Cornice** firmly against the **Door** while tightening the **Nut** on the **Pin Assembly**.

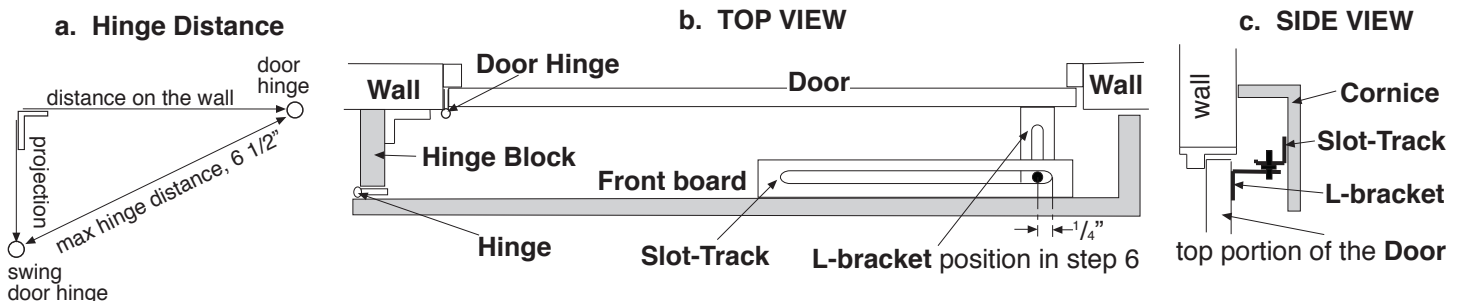


Fig 5 Assembled **Cornice** with **Swinging Door Top Treatment Kit**