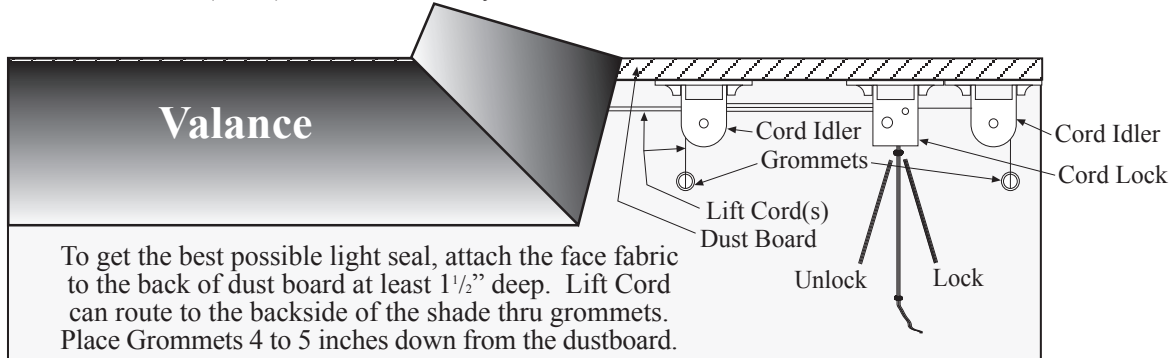


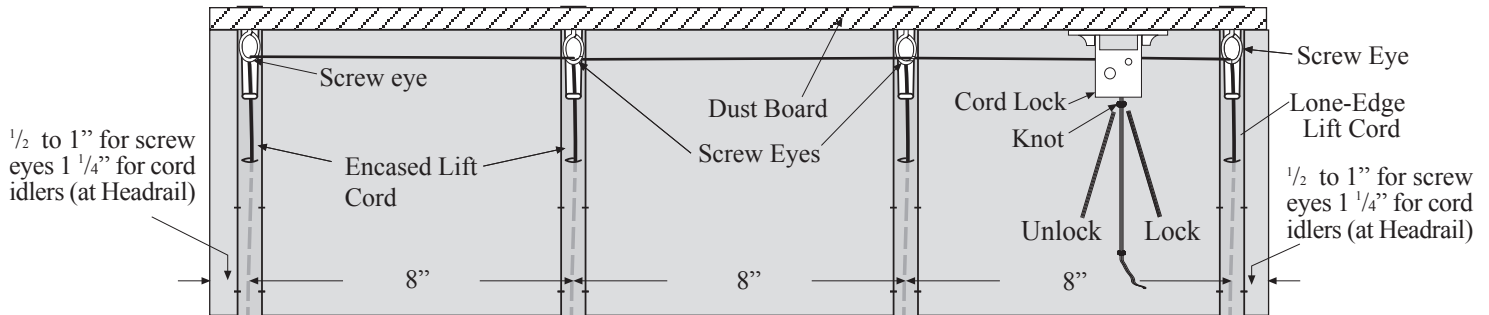
**Instructions to String the Cord Lock (Stk # CL12 & CL14)**

**\*\*\*We suggest stringing the cord lock before mounting on the board.\*\*\***

- Cord Lock works best with our 1.4 mm Poly Cord:  
Stock #LC14
- Maximum number of lift cords per Cord Lock is 10. If more than 10 lift cords are needed, add a second Cord Lock in front or behind the first one.
- Maximum shade weight is 22 lbs. (Not including the weight of the head-rail or Dust Board).
- The unique design resists sticking or jamming of lift cords inside the Cord Lock.
- The Cord Lock can be mounted on the right or left side of the shade and swivels forward and backward for smoother operation.
- For heavier shades, use Cord Idlers (CL20) instead of screw eyes.



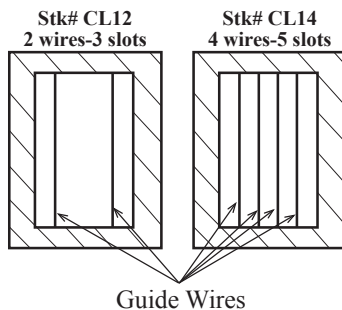
**Fig 1. Our Suggested Method of Making A Fabric Shade (View From Front of Shade)**



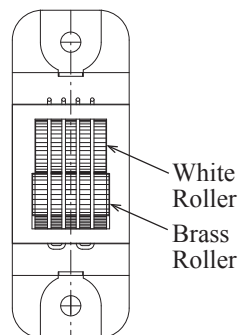
**Fig 2. An Alternative Method of Making A Fabric Shade (View From Backside of Shade)**

**Stringing the Cord Lock:**

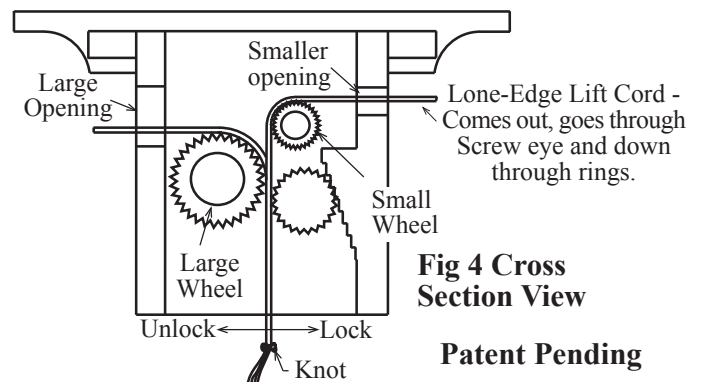
**Fig 1** shows a typical shade. When arranging placement of Encased Lift Cord, try to achieve a typical spacing of 8" between rows of Encased Lift Cord (**Fig 2**). Almost every lift cord will be a different length, so measure each one. Add an extra foot or two to each cord before cutting, you can trim off the extra later. String the cord lock before mounting to the board. **Fig 3 & 4**. String the Lone-Edge Lift Cord through the center slot in the guide wires, over the small wheel and out the smaller opening of the Cord Lock. String the other lift cords using the other slots of the guide wires, trying to keep the same number of cords per slot. If one or more slots must have a higher number of cords, it is best to use those slots located in the middle. After stringing through the slots, other lift cords go over the large wheel and out the larger side opening. We recommend threading the cord lock from the bottom of the cord lock, with the brass roller on the bottom as shown in **Fig 3**. If this is too difficult, feel free to try threading from the top. Using small tweezers may also be helpful. After completely stringing the lift cords through the Cord Lock, mount the Cord Lock to the dust board. **Do not spray the Cord Lock with any lubricants or silicone spray.** Route all the lift cords through the Screw Eyes and Rings. Securely tie each lift cord to the bottom ring of each row. When the shade is all the way down, knot all the lift cords together as close as possible to the cord lock. This will help the shade travel up-and-down evenly and prevent the lift cords from tangling inside the Cord Lock. **Trim off excess cords below where the operator would need to grab when lifting the shade to reduce child strangulation hazard. Use Cord Condensers & Shade Cleats (both shown in our catalog) to stow cords out of the reach of children.**



Guide Wires



**Fig 3 Bottom View**



**Fig 4 Cross Section View**

**Patent Pending**

**Additional Information:** A weight bar should be used at the bottom of the shade for the Cord Lock to lock the cords firmly. This will also help the shade to stand vertical. We recommend our 3/8" Brass Painted Solid Steel Rods (Stk# BR6/4 & BR6/8) for the weight bar.