



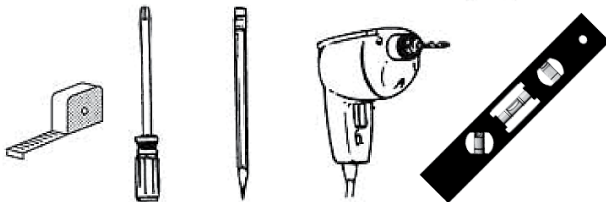
*Custom
Decorative Hardware*
Installation Instructions

Cord Draw Traverse System

Thank you for purchasing your new traverse system. With proper installation and care, it will provide you or your customer with years of beauty and trouble-free functionality. Clean with a soft cloth. Do not use harsh or abrasive cleaning supplies or polishes, which may damage the finishes.

Tools Needed for Installation (not included):

- Tape Measure
- Pencil
- Level
- Drill
- $\frac{3}{32}$ " Drill Bit (.094")
- #2 Phillips Head Bit or Screwdriver
- Flat Head Screwdriver



Cord Draw Single Traverse System Installation

1. Attach the wall mounting brackets. Use two brackets at each end of the track no more than 24" apart. Then place brackets no more than 48" apart over the remainder of the track. Securely attach all brackets to the mounting surface. Mount brackets to wall studs whenever possible. Use proper fasteners designed for your particular type of mounting surface. Hollow wall fasteners (sold separately) are recommended for dry wall. Use a level to make sure all brackets are lined up.

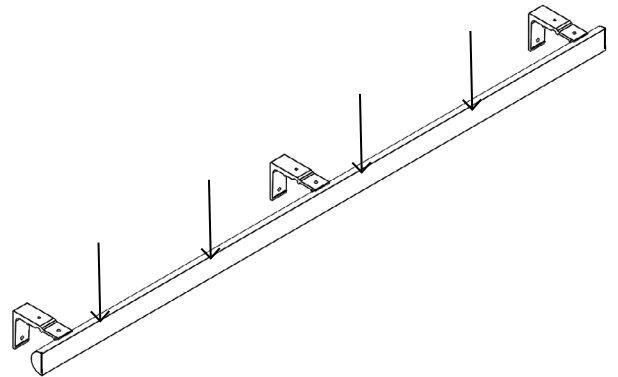
Tips for Successful Installation

Securely attach all brackets to the mounting surface. If you do not locate and install into wood studs, use the proper wall fasteners and/or plastic anchors designed for your particular mounting surface (screws and plastic anchors not included). When drilling into metal, use self-tapping screws (not included).

Make certain all brackets line up evenly by measuring their placement.

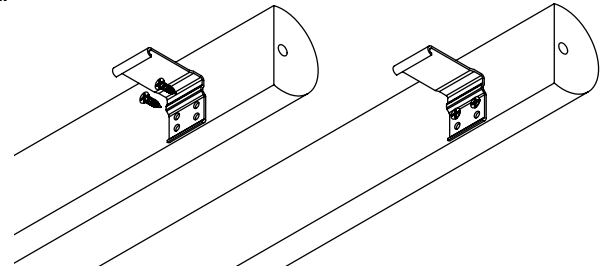
2. To determine the location for the fascia mounting clips, hold the fascia up to the mounted brackets. Mark the fascia clip locations on back side of the fascia with a pencil.

*Clips should be placed no more than 36" apart and spaced to avoid any interference with the wall brackets.



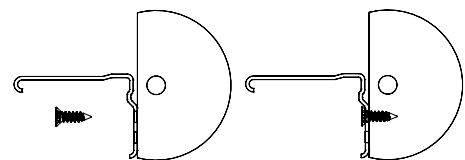
3. Attach the fascia clips at your marked location onto the back of wood fascia as shown below (3A). Align the bottom of the fascia clip with the bottom edge of the wood fascia (3B). Pre-drill the holes with a $\frac{3}{32}$ " drill to keep the fascia from splitting. Use the screw provided to secure the fascia clip to wood fascia. Do not over tighten.

3A.

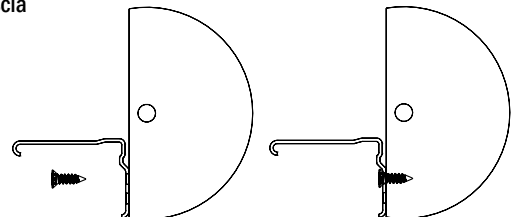


3B.

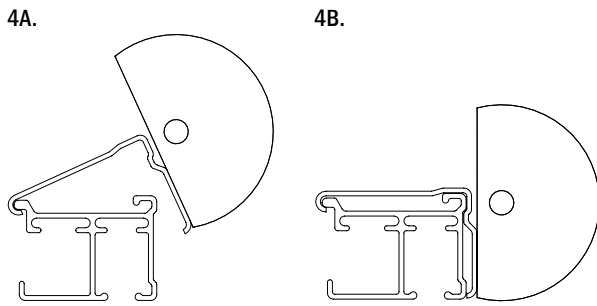
2" Fascia



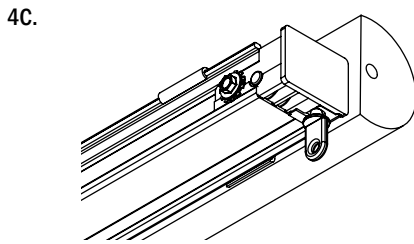
3" Fascia



4. Hook the back of the fascia clips over the track (4A) and rotate forward until the fascia clip seats against the front of the track (4B).

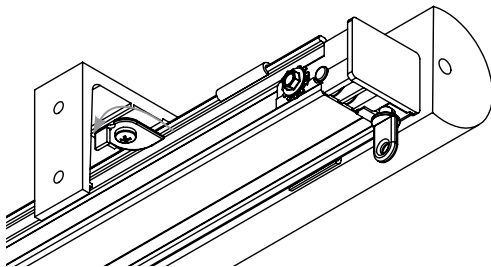


The fascia should extend beyond the each end cap by $\frac{3}{16}$ " (4C).

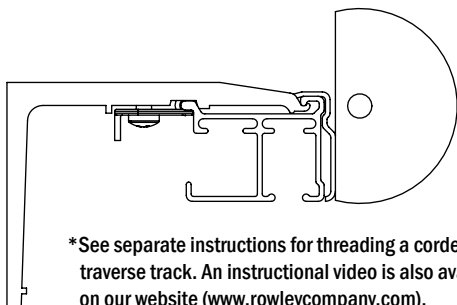


5. Traverse track will be held in place by the support hook at the end of the bracket and the track lock that locks the track into place. When the track is placed under the support hook, loosen the screw and rotate the track lock to engage the track. Then, tighten the screw to lock the track in place (5A & 5B).

5A. Carriers not shown for clarity.



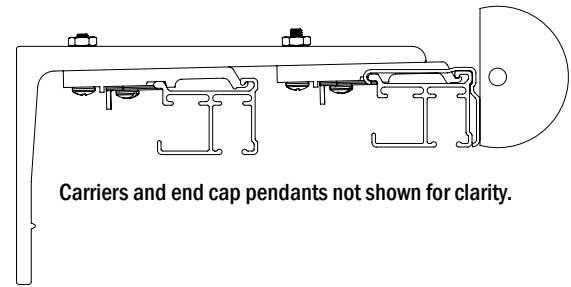
5B. Carriers and End Cap not shown for clarity.



*See separate instructions for threading a corded traverse track. An instructional video is also available on our website (www.rowleycompany.com).

Cord Draw Double Traverse System Installation

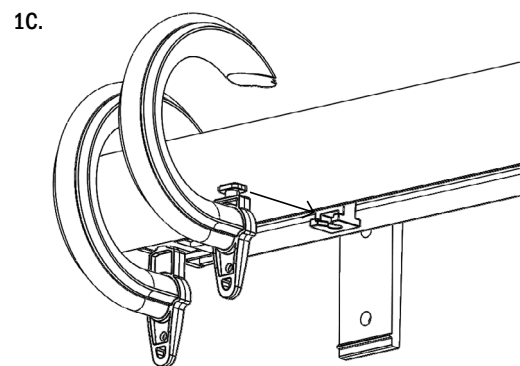
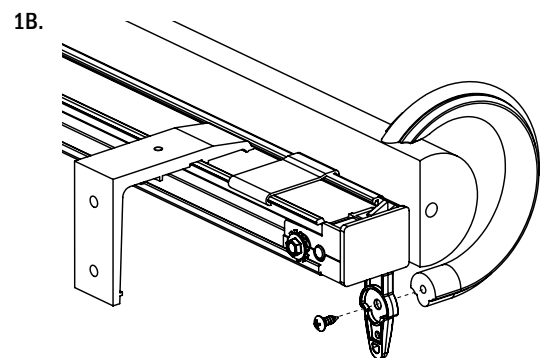
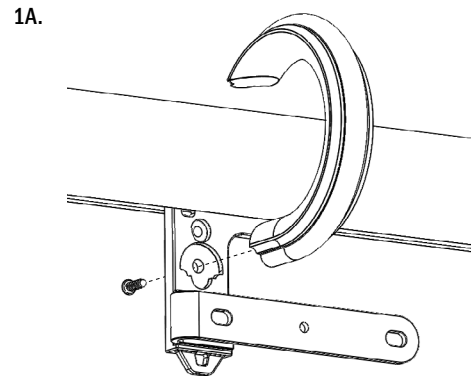
1. Follow steps 1 - 5 above and install the back track.



Carriers and end cap pendants not shown for clarity.

"C" Rings Installation

1. If your system comes with "C" Rings, screw the "C" Rings onto the master carriers and the end cap brackets (1A & 1B). Then clip the "C" Rings into the roller carriers (1C).



Cord Tension Device Adjustment and Installation

- To adjust the cord tension, locate the master carrier with the knotted cords in the back. Find the knot that is closest to the cord drop. Pull that cord to the right length or tension and knot the cord in place. Do not cut the cord until you verify that the master carriers are functional and they travel the length of the track. When you are satisfied with the cord drop and the function of the master carriers, cut the excess cord after the knot.
- Follow the enclosed instructions to install the Cord Tension Device correctly.

