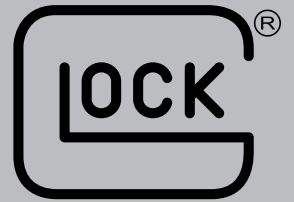


# GLOCK

## 2022 BUYER'S GUIDE

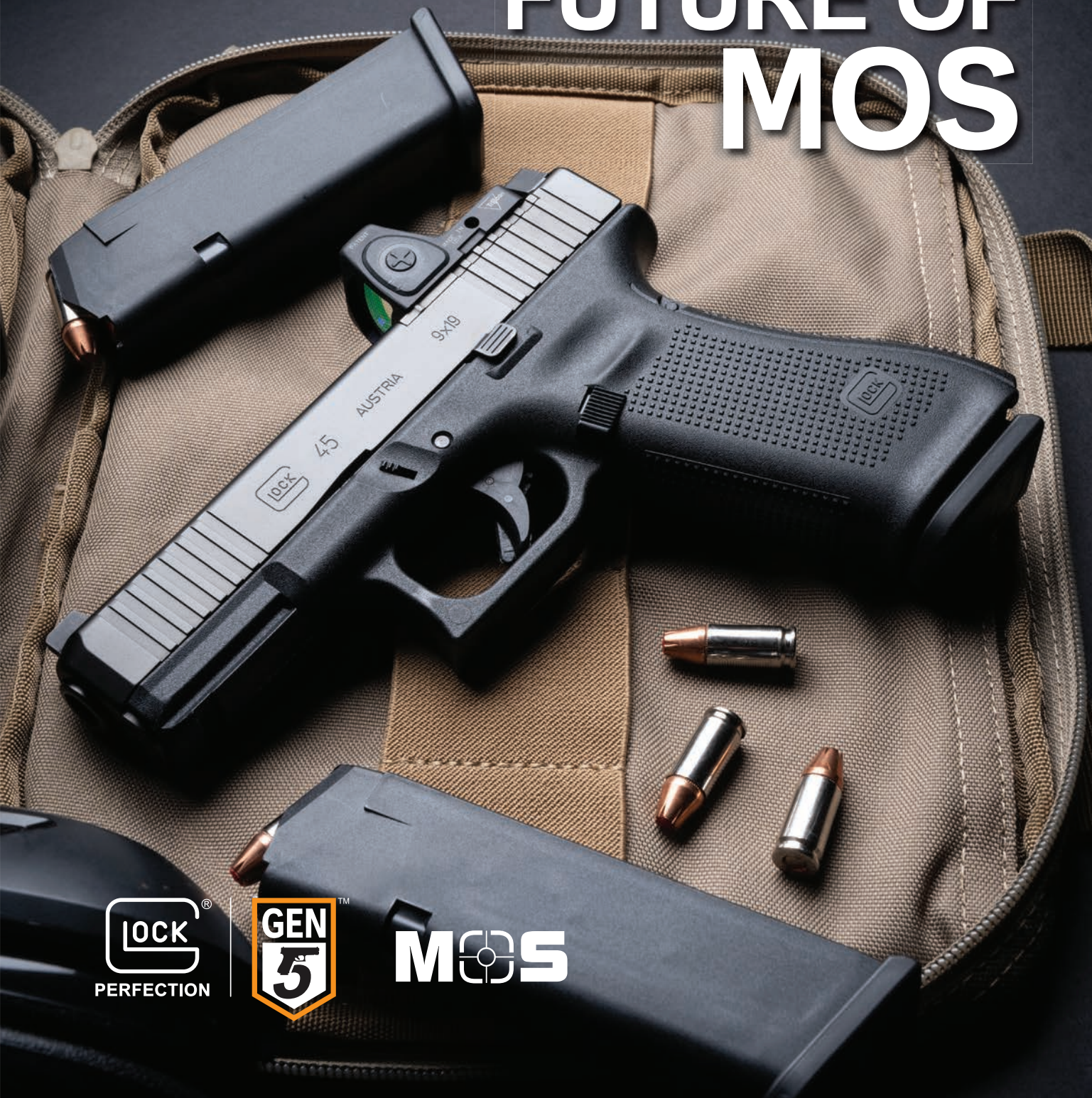


PERFECTION

SAFE. SIMPLE. FAST. = CONFIDENCE.

[www.glock.com](http://www.glock.com)

# FUTURE OF MOS



# MOS





# SEQUENTIALLY SAFE

## HOW EVERY STEP IN THE GLOCK SAFE ACTION® FIRE CONTROL SYSTEM WORKS

■ ARTICLE BY CHRIS EDWARDS

**A**lthough instantly recognized worldwide, the GLOCK SAFE ACTION® fire control system present in all GLOCK pistols, can't be fully appreciated without a detailed explanation of its triple redundant safeties and how they operate in conjunction with a GLOCK trigger.

The basic components of the system are: the trigger, the trigger bar, the firing pin safety, the firing pin safety spring, the connector, and the trigger mechanism housing. The system is a fully automatic safety system consisting of three passive, independently operating, mechanical safeties. All three safeties disengage sequentially as the trigger is pulled and they automatically re-engage when the trigger is released.

Here's how that process happens, in order:

### SAFETY #1 TRIGGER SAFETY

This is the first safety in the GLOCK SAFE ACTION system. It is part of the trigger in the form of a small spring loaded lever. When this safety automatically engages, it stops the trigger from moving rearward. It is designed to prevent the pistol from firing if dropped or receiving a shock.

When the decision is made to fire the pistol and the user's trigger finger begins to deliberately press the trigger, that small lever is depressed first. Once fully depressed, it allows the trigger and trigger bar to move.

### SAFETY #2 FIRING PIN SAFETY

The safety physically blocks the firing pin from moving forward in the ready condition, and prevents the firing pin tip from reaching the primer of a cartridge in the gun's chamber.

Once the first safety is disengaged and the trigger and trigger bar are pulled rearward, a portion of the trigger bar called the vertical extension pushes the firing pin safety up into the slide against the pressure of the safety spring and opens the firing pin channel, allowing the firing pin tip to reach the primer of a chambered cartridge. During this process, the



firing pin spring, which is wrapped around the firing pin, compresses. If the trigger is released at this point, the firing pin safety will automatically re-engage, as will the trigger safety.

### SAFETY #3 DROP SAFETY

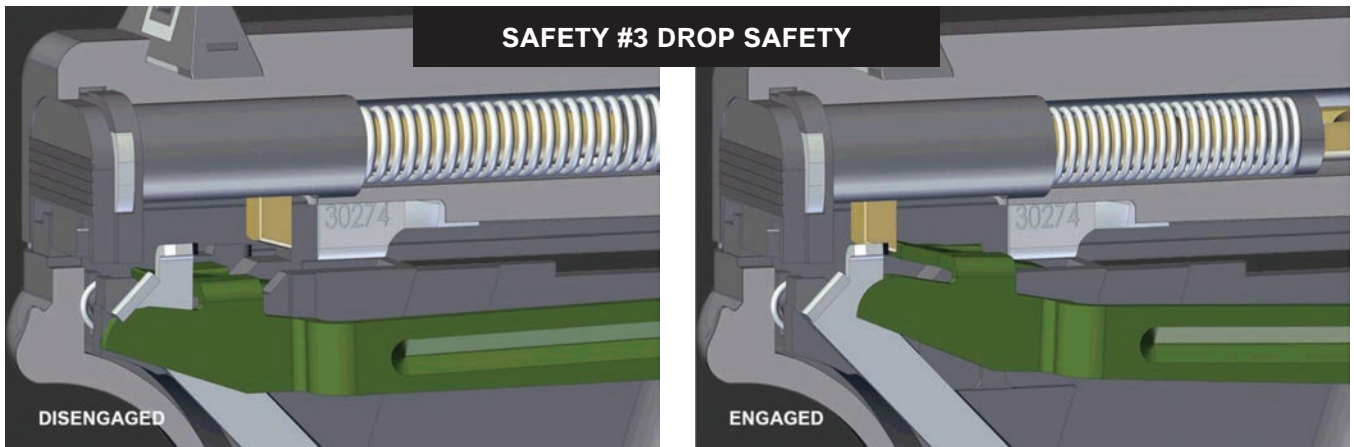
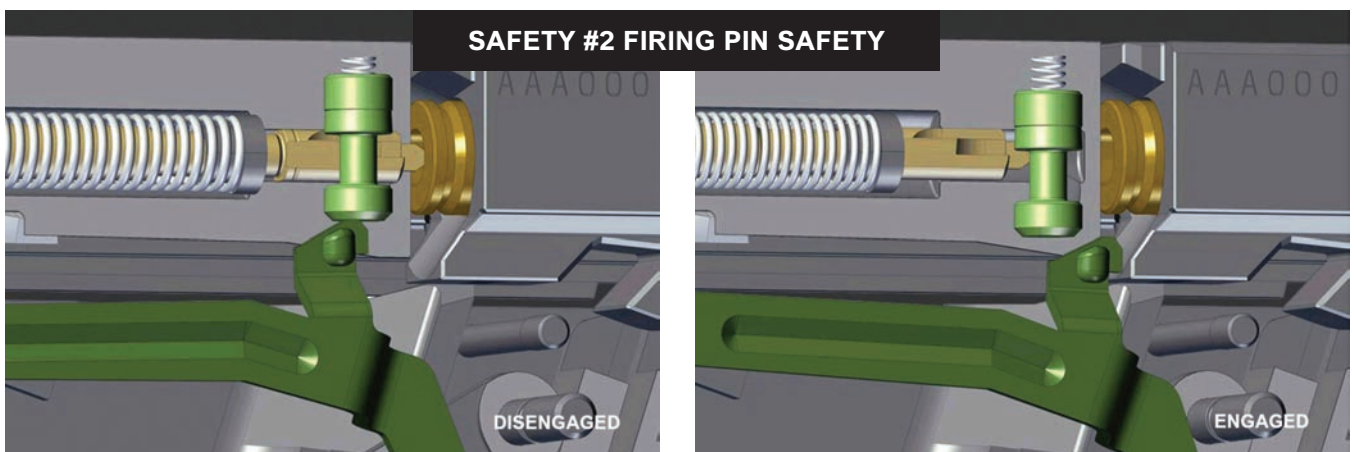
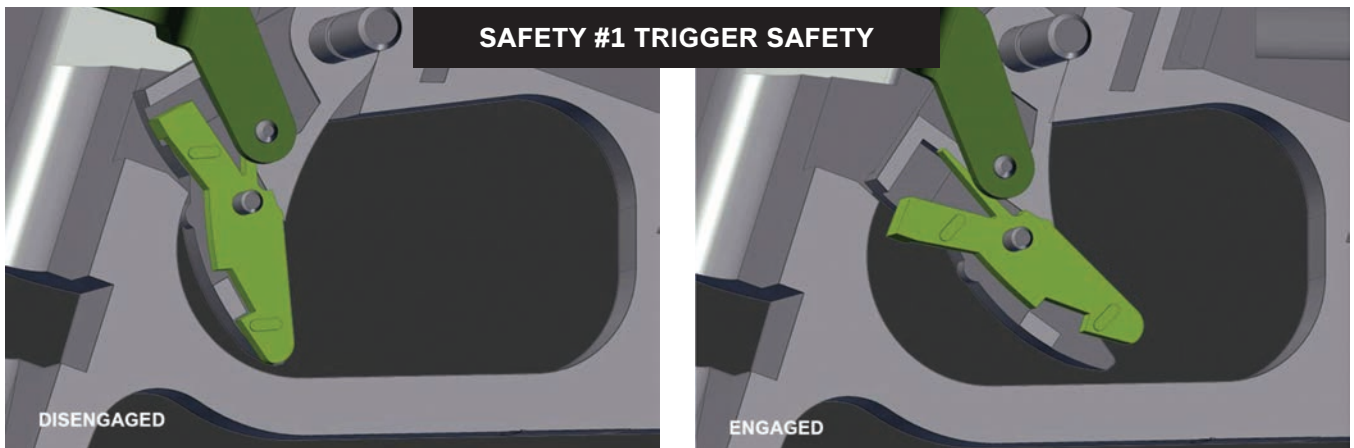
When the gun is not being fired, the trigger bar rests on the safety ramp within the trigger mechanism housing and engages a lug on the rear portion of the firing pin, preventing it from moving forward if the gun were to be dropped.

As the trigger is pulled, an angled ledge on the connector guides the trigger bar down the safety ramp and allows the compressed firing pin spring to move the firing pin forward and impact the cartridge primer to fire the round.

### SEQUENTIALLY SAFE

When the gun is not being fired and is being safely held with the index finger off the trigger, the three safeties are always engaged. The trigger safety stops the trigger bar from moving, the firing pin safety keeps the firing pin from moving forward (even with a severe impact), and the drop safety positively controls the firing pin until the trigger is fully pressed.

If the user takes their finger off the trigger at any point during this process, all three safeties automatically re-engage, again making the GLOCK automatically safe! ☉



### GLOCK ADJUSTABLE REAR SIGHT INSTRUCTIONS

GLOCK pistols may be equipped with rear sights adjustable for both windage (side-to-side) and elevation (up or down). This allows the GLOCK operator to precisely adjust the sights for specific ammunition and placement. First, a SAFETY CHECK must be performed. This is accomplished in several steps, in order:

- (1) Depress the mag catch and remove the magazine.
- (2) Grasp the rear of the slide and cycle it back and forth at least three times.
- (3) Lock the slide to the rear, and visually and physically inspect the chamber and magazine well for clear condition.

The pistol may then be handled safely. The GLOCK adjustable sight has two screws for adjustment. A small fitted screwdriver is supplied. The screw heads are located on the right side of the sight body. The screw closest to the muzzle is for windage. Moving the screw clockwise moves impact right. Moving the screw counter-clockwise moves impact left. The rear screw is for elevation. Moving the screw clockwise raises the point of impact. Moving the screw counterclockwise lowers the point of impact. A detent is felt with each movement.



Depending upon distance, ammunition, and other factors, the screws may have to move several detents to achieve 'zero'.



## GLOCK PROFESSIONAL, INC. PROVIDES TOP TRAINING FOR GLOCK PRODUCTS

THE DIVISION RECRUITS THE BEST TRAINERS TO TEACH GLOCK SHOOTING SKILLS AND ARMORER COURSES WORLDWIDE

■ ARTICLE BY WILLIE PARENT

**G**LOCK Professional, Inc. is a little known diamond-in-the-rough. It is commonly known for The GLOCK Sport Shooting Foundation (GSSF) matches held across the country—however, it is so much more. GLOCK Professional also houses the Training Division for all GLOCK products. There are 15 Instructors in the United States and three in Austria that train GLOCK's customers around the world.

### TYPES OF COURSES OFFERED

GLOCK Professional Instructors run courses for the use and armoring of all GLOCK products. Our team provides continuing education for Law Enforcement and Military Firearms Instructors in the U.S. with the Instructor Workshop and MOS Instructor Workshop in a 2-1/2-day format.

For non Law Enforcement or Military Firearms Instructors, we offer the Operator Courses, which are skill-building courses that cover everything from drawing from a holster and pistol presentation to shooting on the move. In the U.S., the class follows a two-day format that makes this training readily accessible for people who have to take off from work and travel to participate.

The Low Profile Carry Course specializes in Concealed Carry techniques and the monthly Brilliance in the Basics Course is held at GLOCK Professional in Smyrna, Georgia, for first-time firearm owners who want to begin their journey with safe and proper training.

There are more courses on the horizon as the Training Division grows to meet the needs of our customers. GLOCK Professional can also customize training courses. GLOCK Professional does not teach legalities or tactics, it teaches techniques that are proven to be safe and efficient in any situation.

### HOW GLOCK INSTRUCTORS ARE CHOSEN

Who are the Instructors of GLOCK Professional? We are a diverse group of people carefully vetted to ensure you receive the best possible training possible.

These instructors from the U.S. and Austria have backgrounds in Law Enforcement, SWAT, and Special Forces. If they are not on the road running courses, they often seen at local and state shooting competitions. This mixture of skillsets provides a bevy of different perspectives.

GLOCK Professional believes that to be a great Instructor, you must always be a great student. Our Instructors stay abreast of the latest techniques and methods of instruction

by sharing knowledge gained all over the world. It is essential for us to continue perfecting our craft on the range and in the classroom so we can provide the best training in the world to our clients.

Our Instructors are some of the best, which is largely the result of our stringent vetting process. Potential candidates are required to qualify on two separate courses of fire and conduct a classroom presentation just to get an interview. GLOCK Professional does not contract our instructors. GLOCK is adamant about maintaining the highest levels of quality, both in our products and our team.

### GATHERING FOR BIENNIAL MEETINGS

Biannually, all GLOCK instructors gather to share knowledge at our International Training Meeting. Different shooting classes are conducted as a way to ensure GLOCK customers receive the same quality of training anywhere in the world.

Every instructor must qualify on three separate courses of fire to remain on the team.

We gather for technical training on the latest GLOCK products and updates. We regularly update and modify our GLOCK Armorer Courses and manuals based on feedback from the team about what they've encountered. Team members must then pass an in-depth Armorer exam each year to ensure all Training personnel are knowledgeable and familiar with all of GLOCK's products.

### GETTING GLOCK PROFESSIONAL, INC. TRAINING

GLOCK Professional, Inc. is dedicated to perfection, and making sure everyone, from new to experienced shooters, has the solid foundation needed to excel in competitive shooting, protecting our communities, or protecting themselves and their families.

Whether shooting is your lifestyle and you know your GLOCK pistol inside and out, or you've just picked up your first GLOCK handgun, GLOCK Professional, Inc., is perfect for you. To see the schedule for GLOCK Professional training courses, visit our site at <https://glocktraining.com/>.

For those in the United States or Canada who want information on the requirements for the GLOCK Courses or on how to attend or host a GLOCK course, go to [www.glocktraining.com](http://www.glocktraining.com).

For all other countries, contact The Austria Training Department for requirements and to schedule training at: [GP@GLOCK.AT](mailto:GP@GLOCK.AT) or call +43(0)224790300 📞





# Perfect Your Skills Train with the Best

GLOCK™ Professional, Inc. offers training to law enforcement, military members, licensed security officers and other personnel throughout the U.S. and Canada. Learn how to utilize the GLOCK SAFE ACTION® system to its maximum potential through in-classroom and live-fire range trainings.

To learn more and register for a class, visit [glocktraining.com](https://glocktraining.com)

## AVAILABLE COURSES

- **Armorer Course**  
(8 hours)
- **Brilliance in the Basics Course**  
(8 hours)
- **Low Profile Carry Course**  
(16 hours)
- **GLOCK Instructor Workshop**  
(20 hours)
- **GLOCK Operator Course**  
(16 hours)





# 2022 BUYER'S GUIDE

## SLIMLINE & SLIMLINE MOS

These pistols have the ability to mount miniature electronic sights and include GLOCK's mounting rail system for mounting lights or lasers. The GLOCK 43X MOS and GLOCK 48 MOS pistols have Gen5 technology in a sleek, duty-capable package. The G43X MOS has a subcompact slide, and the G48 MOS has a compact-length slide.

**GLOCK's 9x19 Slimline family is growing and so are its attributes:**

- 10+1 capacity
- Superior GLOCK reliability
- 9x19 versatility
- Form and function meet to offer ultimate concealability



### CALIBER 9x19



G43

G43X

G43X MOS

G48

G48 MOS

**ACTION/SYSTEM** SAFE ACTION® (constant double-action mode)

**LENGTH** 6.26 in. / 159 mm    6.50 in. / 165 mm    6.50 in. / 165 mm    7.28 in. / 185 mm    7.28 in. / 185 mm

**HEIGHT** 4.25 in. / 108 mm    5.04 in. / 128 mm    5.04 in. / 128 mm    5.04 in. / 128 mm    5.04 in. / 128 mm

**WIDTH** 1.06 in. / 27 mm    1.10 in. / 28 mm    1.10 in. / 28 mm    1.10 in. / 28 mm    1.10 in. / 28 mm

**SIGHT RADIUS (POLYMER)** 5.24 in. / 133 mm    5.24 in. / 133 mm    5.24 in. / 133 mm    5.98 in. / 152 mm    5.98 in. / 152 mm

**BARREL LENGTH** 3.41 in. / 86.5 mm    3.41 in. / 87 mm    3.41 in. / 87 mm    4.17 in. / 106 mm    4.17 in. / 106 mm

**BARREL RIFLING** Hexagonal profile with right-hand twist

**LENGTH OF TWIST** 9.84 in. / 250 mm    9.84 in. / 250 mm    9.84 in. / 250 mm    9.84 in. / 250 mm    9.84 in. / 250 mm

**MAG. CAPACITY STD. (RDS)** 6    10    10    10    10

**WEIGHT INCL. MAGAZINE** ~17.99 oz. / ~510 g    ~18.55 oz. / ~530 g    ~18.55 oz. / ~526 g    ~20.74 oz. / ~588 g    ~20.60 oz. / ~584 g

**WEIGHT LOADED** ~20.64 oz. / ~585 g    ~23.07 oz. / ~654 g    ~22.96 oz. / ~651 g    ~25.12 oz. / ~712 g    24.97 oz. / ~708 g

**TRIGGER PULL** ~5.5 lbs. / ~24 N    ~5.5 lbs. / ~24 N    ~5.4 lbs. / ~24 N    ~5.4 lbs. / ~24 N    ~5.4 lbs. / ~24 N

**TRIGGER TRAVEL** ~.49 in. / ~12.5 mm    ~.49 in. / ~12.5 mm    ~.49 in. / ~12.5 mm    ~.49 in. / ~12.5 mm    ~.49 in. / ~12.5 mm

**MSRP** \$538    \$538    \$582    \$538    \$582

Technical specs may be altered without notice  
\*Optics not included on MOS models.

# G44

GLOCK's first .22 LR rimfire pistol is lightweight, dependable, and accurate. With many of the same features and latest Gen5 technologies of larger-caliber GLOCKS, this is the one to have for training, field carry, and just plain fun when target shooting!

## Trainer, competitor, and loads of fun—it's all in the G44:

- GLOCK's inaugural .22 LR pistol
- GLOCK SAFE ACTION® fire-control system
- Light recoiling and reliable
- Threaded barrel available for use with suppressors
- Spare magazine and cleaning tools included



## CALIBER .22 LR



G44

<b>ACTION/SYSTEM</b>	SAFE ACTION® (constant double-action mode)
<b>LENGTH</b>	7.28 in. / 185 mm
<b>HEIGHT</b>	5.04 in. / 128 mm
<b>WIDTH</b>	1.26 in. / 32 mm
<b>SIGHT RADIUS (POLYMER)</b>	6.22 in. / 158 mm
<b>BARREL LENGTH</b>	4.02 in. / 102 mm
<b>BARREL RIFLING</b>	Hexagonal profile with right-hand twist
<b>LENGTH OF TWIST</b>	15.98 in. / 406 mm
<b>MAG. CAPACITY STD. (RDS)</b>	10
<b>WEIGHT INCL. MAGAZINE</b>	~14.64 oz. / ~415 g
<b>WEIGHT LOADED</b>	~16.40 oz. / ~465 g
<b>TRIGGER PULL</b>	~5.8 lbs. / ~26 N
<b>TRIGGER TRAVEL</b>	~0.49 in. / ~12.5 mm
<b>MSRP</b>	\$430

Technical specs may be altered without notice







# 2022 BUYER'S GUIDE

## Standard Crossovers: World-Renowned Service Pistols

The G45 MOS adds the GLOCK Modular Optic System for unmatched versatility. This model has a compact-length slide, full-size frame, and Gen5 technology.



### CALIBER 9x19



**G19X**



**G45**



**MOS**

	G19X	G45	G45 MOS
<b>ACTION/SYSTEM</b>	SAFE ACTION® (constant double-action mode)		
<b>LENGTH</b>	7.44 in. / 189 mm	7.44 in. / 189 mm	7.44 in. / 189 mm
<b>HEIGHT (INCL. MAGAZINE)</b>	5.47 in. / 139 mm	5.47 in. / 139 mm	5.47 in. / 139 mm
<b>WIDTH</b>	1.30 in. / 33 mm	1.34 in. / 34 mm	1.34 in. / 34 mm
<b>SIGHT RADIUS</b>	5.94 in. / 151 mm *	6.02 in. / 153 mm	6.18 in. / 157 mm
<b>BARREL LENGTH</b>	4.02 in. / 102 mm	4.02 in. / 102 mm	4.02 in. / 102 mm
<b>BARREL RIFLING</b>	Enhanced hexagonal profile with right-hand twist (GMB)		
<b>LENGTH OF TWIST</b>	9.84 in. / 250 mm	9.84 in. / 250 mm	9.84 in. / 250 mm
<b>MAG. CAPACITY STD. (RDS)</b>	17 / 19	17	17
<b>WEIGHT INC. MAGAZINE</b>	~24.83 oz. / ~704 g	~24.48 oz. / ~694 g	~24.52 oz. / ~695 g
<b>WEIGHT LOADED</b>	~31.39 oz. / ~890 g	~30.34 oz. / ~860 g	~30.34 oz. / ~860 g
<b>TRIGGER PULL</b>	~5.8 lbs. / ~26 N	~5.8 lbs. / ~26 N	~5.8 lbs. / ~26 N
<b>TRIGGER TRAVEL</b>	~0.49 in. / 12.5 mm	~0.49 in. / 12.5 mm	~0.49 in. / 12.5 mm
<b>MSRP</b>	\$749	\$699	\$745

\*(GNS) GLOCK Night Sights

Technical specs may be altered without notice

\*Optics not included on MOS models



## GLOCK's Iconic 9x19 Pistols

The 9x19 cartridge is the world standard of combat pistol rounds. Proven power in an efficiently sized cartridge, the 9x19 is universally available. Advanced projectile technology and its ease of control have made the 9x19 the first choice for serious use.

### 9x19: A superb round for the perfect brand of firearms: GLOCK!

- Moderate recoil
- Accessible offerings from many ammo brands
- A caliber popular amongst police and the military



Frank Steiger Photo

### CALIBER 9x19



	G34 Gen5 MOS G34 (CA)	G17 Gen5 MOS	G17 Gen5 G17 (CA)	G19 Gen5 MOS	G19 Gen5 G19 (CA)	G26 Gen5 G26 (CA)
--	--------------------------	--------------	----------------------	--------------	----------------------	----------------------

ACTION/SYSTEM	SAFE ACTION® (constant double-action mode)					
LENGTH	8.74 in. / 222 mm	7.95 in. / 202 mm	7.95 in. / 202 mm	7.28 in. / 185 mm	7.28 in. / 185 mm	6.42 in. / 163 mm
HEIGHT	5.47 in. / 139 mm	5.47 in. / 139 mm	5.47 in. / 139 mm	5.04 in. / 128 mm	5.04 in. / 128 mm	4.17 in. / 106 mm
WIDTH	1.34 in. / 34 mm	1.34 in. / 34 mm	1.34 in. / 34 mm	1.34 in. / 34 mm	1.34 in. / 34 mm	1.30 in. / 33 mm
SIGHT RADIUS (POLYMER)	7.52 in. / 191 mm	6.65 in. / 169 mm	6.50 in. / 165 mm	6.18 in. / 157 mm	6.02 in. / 153 mm	5.39 in. / 137 mm
BARREL LENGTH	5.31 in. / 135 mm	4.49 in. / 114 mm	4.49 in. / 114 mm	4.02 in. / 102 mm	4.02 in. / 102 mm	3.43 in. / 87 mm
BARREL RIFLING	Enhanced hexagonal profile with right-hand twist (GMB)					
LENGTH OF TWIST	9.84 in. / 250 mm	9.84 in. / 250 mm	9.84 in. / 250 mm	9.84 in. / 250 mm	9.84 in. / 250 mm	9.84 in. / 250 mm
MAG. CAPACITY STD. (RDS)	17	17	17	15	15	10
WEIGHT INCL. MAGAZINE	~26.21 oz. / ~743 g	~24.87 oz. / ~705 g	~24.97 oz. / ~708 g	~23.63 oz. / ~675 g	~23.63 oz. / ~670 g	~21.69 oz. / ~615 g
WEIGHT LOADED	~34.57 oz. / ~980 g	~33.33 oz. / ~945 g	~33.33 oz. / ~945 g	~29.98 oz. / ~850 g	~30.16 oz. / ~855 g	~26.07 oz. / ~739 g
TRIGGER PULL	~5.4 lbs. / ~24 N	~5.8 lbs. / ~26 N	~5.8 lbs. / ~26 N	~5.8 lbs. / ~26 N	~5.8 lbs. / ~26 N	~5.8 lbs. / ~26 N
TRIGGER TRAVEL	~0.49 in. / ~12.5 mm	~0.49 in. / ~12.5 mm	~0.49 in. / 12.5 mm	~0.49 in. / ~12.5 mm	~0.49 in. / 12.5 mm	~0.49 in. / ~12.5 mm
MSRP	\$899	\$745	\$699	\$745	\$699	\$647

Technical specs may be altered without notice  
\*Optics not included on MOS models



# 2022 BUYER'S GUIDE

## .380 AUTO

The .380 AUTO has seen a remarkable resurgence in popularity over the last several years, thanks to advancements in ammunition technology and performance. GLOCK meets the demand for an ultra-reliable handgun that makes the most of this small round with the G42. This may be GLOCK's smallest model, but it behaves like a full-size pistol.

### The ultimate choice for deep concealed carry is GLOCK's G42 .380 AUTO:

- Minimized size, giant performance
- Self-defense in a highly concealable package
- Minimal recoil, notable accuracy
- Effective defensive ammunition readily available
- Deployed for protective use for more than 100 years



## G42

6+1 COMPACT



### SMALL SIZE, MAXIMUM POWER

The biggest impact can be made by the smallest object, and the GLOCK 42 in .380 AUTO is no exception. GLOCK perfection in pocket-sized dimensions, this pistol is the ultimate companion!

### CALIBER .380 AUTO



G42

ACTION/SYSTEM	SAFE ACTION® (constant double-action mode)
LENGTH	5.94 in. / 151 mm
HEIGHT	4.13 in. / 105 mm
WIDTH	.98 in. / 25 mm
SIGHT RADIUS (POLYMER)	4.92 in. / 125 mm
BARREL LENGTH	3.25 in. / 82.5 mm
BARREL RIFLING	Hexagonal profile with right-hand twist
LENGTH OF TWIST	9.84 in. / 250 mm
MAG. CAPACITY STD. (RDS)	6
WEIGHT INCL. MAGAZINE	~13.76 oz. / ~390 g
WEIGHT LOADED	~15.87 oz. / ~450 g
TRIGGER PULL	~5 lbs. / ~24 N
TRIGGER TRAVEL	~0.49 in. / ~12.5 mm
MSRP	\$480

Technical specs may be altered without notice



# .40 AUTO

A proven round for law enforcement use, self-defense, competition, and casual target shooting, the .40 AUTO is a powerful cartridge without being overwhelming. Its efficient size also contributes to improved on-board capacity.

## The powerful .40 AUTO GLOCK family:

- Efficient size, impressive power
- .40 AUTO GLOCK Gen5s have improved control and handling
- Documented terminal performance
- A cartridge for all occasions: self-defense, field, and competition



## CALIBER .40 AUTO



**G35 Gen5 MOS  
G35 (CA)**

**G22 Gen5  
G22 (CA)**

**G22 Gen5 MOS**

**G23 Gen5  
G23 (CA)**

**G23 Gen5 MOS**

**G27 Gen5  
G27 (CA)**

**ACTION/SYSTEM** SAFE ACTION® (constant double-action mode)

	G35 Gen5 MOS G35 (CA)	G22 Gen5 G22 (CA)	G22 Gen5 MOS	G23 Gen5 G23 (CA)	G23 Gen5 MOS	G27 Gen5 G27 (CA)
<b>LENGTH</b>	8.74 in. / 222 mm	7.95 in. / 202 mm	7.95 in. / 202 mm	7.28 in. / 185 mm	7.28 in. / 185 mm	6.42 in. / 163 mm
<b>HEIGHT</b>	5.51 in. / 140 mm	5.51 in. / 140 mm	5.51 in. / 140 mm	5.08 in. / 129 mm	5.08 in. / 129 mm	4.21 in. / 107 mm
<b>WIDTH</b>	1.34 in. / 34 mm	1.32 in. / 33.5 mm	1.32 in. / 33.5 mm	1.32 in. / 33.5 mm	1.32 in. / 33.5 mm	1.32 in. / 33.5 mm
<b>SIGHT RADIUS (POLYMER)</b>	7.48 in. / 190 mm	6.46 in. / 164 mm	6.61 in. / 168 mm	5.98 in. / 152 mm	6.14 in. / 156 mm	5.39 in. / 137 mm
<b>BARREL LENGTH</b>	5.31 in. / 135 mm	4.49 in. / 114 mm	4.49 in. / 114 mm	4.02 in. / 102 mm	4.02 in. / 102 mm	3.43 in. / 87 mm
<b>BARREL RIFLING</b>	Octagonal profile with right-hand twist					
<b>LENGTH OF TWIST</b>	15.75 in. / 400 mm	15.75 in. / 400 mm	15.75 in. / 400 mm	15.75 in. / 400 mm	15.75 in. / 400 mm	15.75 in. / 400 mm
<b>MAG. CAPACITY STD. (RDS)</b>	15	15	15	13	13	9
<b>WEIGHT INCL. MAGAZINE</b>	~28.29 oz. / ~802 g	~28.43 oz. / ~806 g	~28.43 oz. / ~806 g	~26.67 oz. / ~756 g	~26.67 oz. / ~756 g	~23.85 oz. / ~676 g
<b>WEIGHT LOADED</b>	~37.04 oz. / ~1050 g	~37.32 oz. / ~1058 g	~37.32 oz. / ~1058 g	~34.36 oz. / ~974 g	~34.36 oz. / ~974 g	~29.17 oz. / ~827 g
<b>TRIGGER PULL</b>	~5.4 lbs. / ~24 N	~5.8 lbs. / ~26 N	~5.8 lbs. / ~26 N	~5.8 lbs. / ~26 N	~5.8 lbs. / ~26 N	~5.8 lbs. / ~26 N
<b>TRIGGER TRAVEL</b>	~0.49 in. / ~12.5 mm	~0.49 in. / ~12.5 mm	~0.49 in. / ~12.5 mm	~0.49 in. / ~12.5 mm	~0.49 in. / ~12.5 mm	~0.49 in. / ~12.5 mm
<b>MSRP</b>	\$840	\$599	\$599	\$599	\$599	\$647

Technical specs may be altered without notice  
\*Optics not included on MOS models



# 2022 BUYER'S GUIDE

## .45 AUTO

In use for more than 100 years, the iconic .45 AUTO cartridge was originally designed for the U.S. military. Tested in battle across the decades and a favorite of competitive shooters and self-defense practitioners, the .45 AUTO in a GLOCK pistol is regarded as a powerful yet controllable round.

### GLOCK .45 AUTO models do it all with this do-it-all, powerful cartridge:

- Historically recognized as a premiere defensive round
- Performance-driven GLOCK platforms for every situation
- Modern ammunition designed for a wide range of applications
- Undisputed choice for everything from target shooting to conflict resolution



Richard King Photo

### CALIBER .45 AUTO



G41 Gen4 MOS

G41 Gen4

G21 Gen4  
G21 SF (CA)

G30 Gen4  
G30 SF (CA)

G30S

G36

#### ACTION/SYSTEM

SAFE ACTION® (constant double-action mode)

#### LENGTH

8.78 in. / 223 mm

8.78 in. / 223 mm

8.07 in. / 205 mm

6.97 in. / 177 mm

6.97 in. / 177 mm

6.97 in. / 177 mm

#### HEIGHT

5.47 in. / 139 mm

5.47 in. / 139 mm

5.51 in. / 140 mm

4.80 in. / 122 mm

4.80 in. / 122 mm

4.72 in. / 120 mm

#### WIDTH

1.34 in. / 34 mm

1.34 in. / 34 mm

1.34 in. / 34 mm

1.38 in. / 35 mm

1.38 in. / 35 mm

1.18 in. / 30 mm

#### SIGHT RADIUS (POLYMER)

7.64 in. / 194 mm

7.68 in. / 195 mm

6.77 in. / 172 mm

5.91 in. / 150 mm

5.91 in. / 150 mm

5.91 in. / 150 mm

#### BARREL LENGTH

5.31 in. / 135 mm

5.31 in. / 135 mm

4.61 in. / 117 mm

3.78 in. / 96 mm

3.78 in. / 96 mm

3.78 in. / 96 mm

#### BARREL RIFLING

Octagonal profile with right-hand twist

#### LENGTH OF TWIST

15.75 in. / 400 mm

15.75 in. / 400 mm

15.75 in. / 400 mm

15.75 in. / 400 mm

15.75 in. / 400 mm

15.75 in. / 400 mm

#### MAG. CAPACITY STD. (RDS)

13

13

13

10

10

6

#### WEIGHT INCL. MAGAZINE

~26.63 oz. / ~755 g

~26.81 oz. / ~760 g

~29.28 oz. / ~830 g  
~29.10 oz. / ~825 g

~26.28 oz. / ~745 g

~22.75 oz. / ~645 g

~22.40 oz. / ~635 g

#### WEIGHT LOADED

~36.16 oz. / ~1025 g

~36.51 oz. / ~1035 g

~38.80 oz. / ~1100 g

~33.69 oz. / ~955 g

~30.16 oz. / ~855 g

~26.81 oz. / ~760 g

#### TRIGGER PULL

~5.4 lbs. / ~24 N

~5.4 lbs. / ~24 N

~6.3 lbs. / ~28 N

~6.3 lbs. / ~28 N

~6.3 lbs. / ~28 N

~6.3 lbs. / ~28 N

#### TRIGGER TRAVEL

~0.49 in. / ~12.5 mm

~0.49 in. / ~12.5 mm

~0.49 in. / ~12.5 mm

~0.49 in. / ~12.5 mm

~0.49 in. / ~12.5 mm

~0.49 in. / ~12.5 mm

#### MSRP

\$840

\$729

\$687 G21 Gen4  
\$637 G21 SF

\$687 G30 Gen4  
\$637 G30 SF

\$637

\$637

Technical specs may be altered without notice  
\*Optics not included on MOS models



# 10mm AUTO

GLOCK models in 10mm AUTO offer magnum performance in an ultra-reliable package. GLOCK engineering yields controllable recoil and substantial capacity. Accurate, durable, and safe, the GLOCK 10mm AUTO pistols are a superb choice for hunting and self-defense.

### GLOCK's 10mm AUTO models—power bar none:

- Wide range of sizes satisfy numerous applications
- Large magazine capacity
- Magnum-level power
- World-renowned GLOCK quality and design features



### CALIBER 10mm AUTO



	G40 Gen4 MOS	G20 Gen4 G20 SF (CA)	G29 Gen4 G29 SF (CA)
--	--------------	-------------------------	-------------------------

<b>ACTION/SYSTEM</b>	SAFE ACTION® (constant double-action mode)		
<b>LENGTH</b>	9.49 in. / 241 mm	8.07 in. / 205 mm	6.97 in. / 177 mm
<b>HEIGHT</b>	5.47 in. / 139 mm	5.51 in. / 140 mm	4.53 in. / 115 mm
<b>WIDTH</b>	1.34 in. / 34 mm	1.34 in. / 34 mm	1.38 in. / 35 mm
<b>SIGHT RADIUS (POLYMER)</b>	8.31 in. / 211 mm	6.77 in. / 172 mm	5.91 in. / 150 mm
<b>BARREL LENGTH</b>	6.02 in. / 153 mm	4.61 in. / 117 mm	3.78 in. / 96 mm
<b>BARREL RIFLING</b>	Hexagonal profile with right-hand twist		
<b>LENGTH OF TWIST</b>	9.84 in. / 250 mm	9.84 in. / 250 mm	9.84 in. / 250 mm
<b>MAG. CAPACITY STD. (RDS)</b>	15	15	10
<b>WEIGHT INCL. MAGAZINE</b>	~35.45 oz. / ~1005 g	~30.69 oz. / ~870 g ~30.51 oz. / ~865 g	~26.81 oz. / ~760 g
<b>WEIGHT LOADED</b>	~44.62 oz. / ~1265 g	~39.86 oz. / ~1130 g ~39.68 oz. / ~1125 g	~32.63 oz. / ~925 g ~32.80 oz. / ~930 g
<b>TRIGGER PULL</b>	~5.4 lbs. / ~24 N	~6.3 lbs. / ~28 N	~6.3 lbs. / ~28 N
<b>TRIGGER TRAVEL</b>	~.49 in. / ~12.5 mm	~.49 in. / ~12.5 mm	~.49 in. / ~12.5 mm
<b>MSRP</b>	\$840	\$687 G20 Gen4 \$637 G20 SF	\$687 G29 Gen4 \$637 G29 SF



Technical specs may be altered without notice  
\*Optics not included on MOS models



# 2022 BUYER'S GUIDE

## .357 AUTO

Developed to emulate the fabled .357 Magnum revolver round in a semiautomatic pistol, the .357 AUTO is the choice of law enforcement when failure is not an option. GLOCK pistols in this caliber—based on the .40 AUTO—develop the maximum power available in this bore size.

### Accuracy, power, and supreme reliability in GLOCK's .357 AUTO group:

- Bottleneck cartridge design ensures reliable feeding
- Magnum revolver power in a semi-auto package
- Amazing ballistics and on-target performance
- High velocity delivers fight-stopping power



Photo Credit S.W.

### CALIBER .357 AUTO



G31 Gen4  
G31 (CA)

G32 Gen4  
G32 (CA)

G33 Gen4  
G33 (CA)

ACTION/SYSTEM	SAFE ACTION® (constant double-action mode)		
LENGTH	7.95 in. / 202 mm 8.03 in. / 204 mm	7.28 in. / 185 mm 7.36 in. / 187 mm	6.42 in. / 163 mm 6.50 in. / 165 mm
HEIGHT	5.47 in. / 139 mm	5.04 in. / 128 mm	4.21 in. / 107 mm
WIDTH	1.26 in. / 32 mm	1.26 in. / 32 mm	1.26 in. / 32 mm
SIGHT RADIUS (POLYMER)	6.50 in. / 165 mm	6.02 in. / 153 mm	5.39 in. / 137 mm
BARREL LENGTH	4.49 in. / 114 mm	4.02 in. / 102 mm	3.43 in. / 87 mm
BARREL RIFLING	Hexagonal profile with right-hand twist		
LENGTH OF TWIST	9.84 in. / 250 mm	9.84 in. / 250 mm	9.84 in. / 250 mm
MAG. CAPACITY STD. (RDS)	15	13	9
WEIGHT INCL. MAGAZINE	~26.10 oz. / ~740 g	~24.34 oz. / ~690 g	~21.87 oz. / ~620 g
WEIGHT LOADED	~33.16 oz. / ~940 g	~30.34 oz. / ~860 g	~25.93 oz. / ~735 g
TRIGGER PULL	~5.5 lbs. / ~28 N	~5.5 lbs. / ~28 N	~5.5 lbs. / ~28 N
TRIGGER TRAVEL	~.49 in. / ~12.5 mm	~.49 in. / ~12.5 mm	~.50 in. / ~12.5 mm
MSRP	\$599	\$599	\$599



Frank Steiger Photo



Technical specs may be altered without notice



# .45 G.A.P.

Designed specifically for GLOCK, the .45 G.A.P.—GLOCK Automatic Pistol—cartridge is a big-bore caliber that works across multiple platform sizes, including subcompact. Independent testing shows it to be more intrinsically accurate than older .45-caliber cartridges.

## Refinement of a classic puts the GLOCK .45 G.A.P. models in a class of their own:

- Proven pistol round in standard, compact, and subcompact GLOCK frames
- Enhanced .45-caliber stopping power
- GLOCK reliability, durability, and safety
- Controllable recoil with notable accuracy



## CALIBER .45 G.A.P.



**G37 Gen4**

**G38 Gen4**

**G39 Gen4**

ACTION/SYSTEM	SAFE ACTION® (constant double-action mode)		
LENGTH	7.95 in. / 202 mm 8.03 in. / 204 mm	7.36 in. / 187 mm	6.50 in. / 165 mm
HEIGHT	5.47 in. / 139 mm	5.04 in. / 128 mm	4.17 in. / 106 mm
WIDTH	1.30 in. / 33 mm	1.30 in. / 33 mm	1.30 in. / 33 mm
SIGHT RADIUS (POLYMER)	6.50 in. / 165 mm	6.02 in. / 153 mm	5.39 in. / 137 mm
BARREL LENGTH	4.49 in. / 114 mm	4.02 in. / 102 mm	3.43 in. / 87 mm
BARREL RIFLING	Octagonal profile with right-hand twist		
LENGTH OF TWIST	15.75 in. / 400 mm	15.75 in. / 400 mm	15.75 in. / 400 mm
MAG. CAPACITY STD. (RDS)	10	8	6
WEIGHT INCL. MAGAZINE	~28.75 oz. / ~815 g	~26.63 oz. / ~755 g	~24.16 oz. / ~685 g
WEIGHT LOADED	~35.27 oz. / ~1000 g	~31.75 oz. / ~900 g	~27.87 oz. / ~790 g
TRIGGER PULL	~5.5 lbs. / ~28 N	~5.5 lbs. / ~28 N	~5.5 lbs. / ~28 N
TRIGGER TRAVEL	~.49 in. / ~12.5 mm	~.49 in. / ~12.5 mm	~.49 in. / ~12.5 mm
MSRP	\$614	\$614	\$614



Photo by S.W. Photos



Frank Steiger Photo

Technical specs may be altered without notice

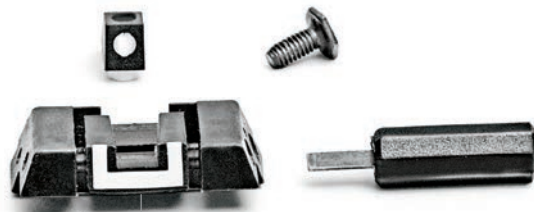


# GLOCK ACCESSORIES

HOLSTERS, CASE & SIGHTS

## FULLY ADJUSTABLE REAR SIGHT

Equipped with a contrast insert that enables simple, accurate, and fast alignment, the GLOCK Adjustable Rear Sight has a low-profile, point-of-impact positioning that is adjustable in elevation and windage. Supplied with adjustment tool. ([store.teamglock.com](http://store.teamglock.com))



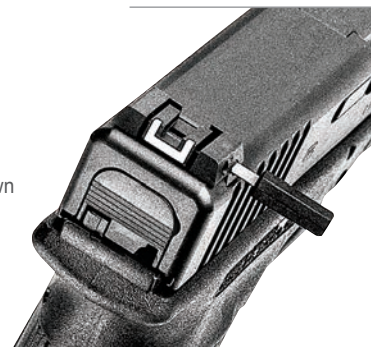
### 1. FIXED REAR SIGHT

This sight is available to compensate for various types of ammunition. Available in 6.1mm, 6.5mm, 6.9mm, and 7.3mm heights.



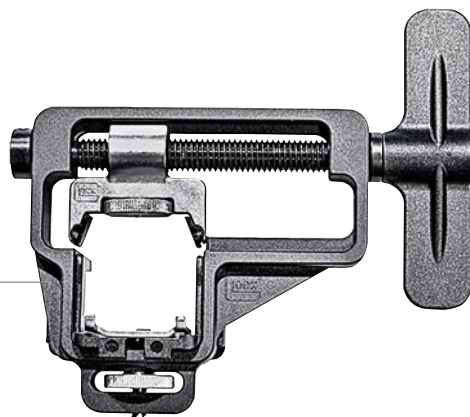
### 2. STEEL SIGHTS

GLOCK offers durable fixed steel sights as an alternative to the well-known standard synthetic fixed sights.



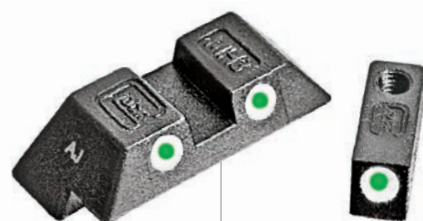
## REAR SIGHT ADJUSTMENT TOOL

A versatile, easy to use adjustment and installation device for GLOCK rear sights. ([store.teamglock.com](http://store.teamglock.com))



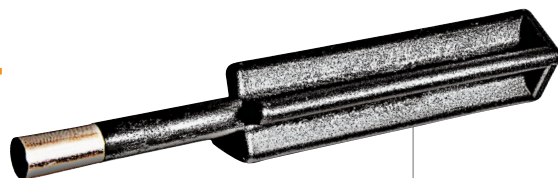
## FIXED NIGHT SIGHT

Tritium contrast points that illuminate in color at night, visible as white in daylight. ([store.teamglock.com](http://store.teamglock.com))



## FRONT SIGHT MOUNTING TOOL

For installing the GLOCK screw-on front sight (all versions), simply screw the front sight onto the slide of the pistol. By turning the screw, the front sight is easily installed and locked in place. ([store.teamglock.com](http://store.teamglock.com))





## SURVIVAL KNIFE

The GLOCK Survival Knife is made of a special hardened steel, with polymer handles and black, anti-corrosion-coated blades for maximum durability and ruggedness. Knives come with matching sheaths made of high-impact-resistant polymer material and feature a loop catch that allows for quick drawing with only one hand. They fit belts up to 2.4 inches (60mm) in width. (store.teamglock.com)

### SURVIVAL KNIFE MODEL 81

Survival knife with saw.

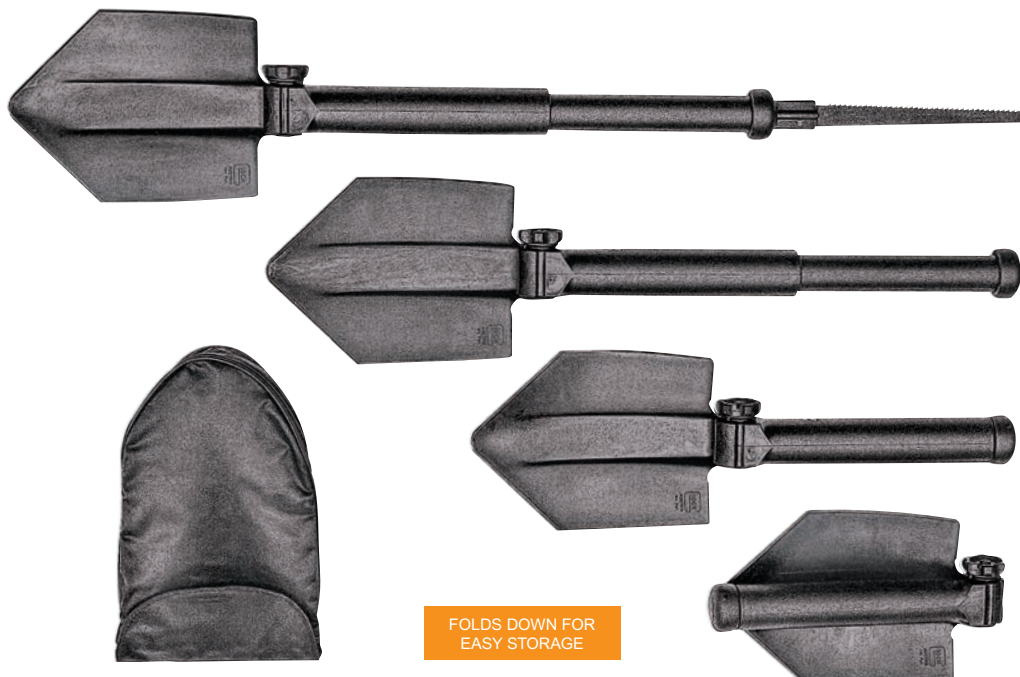
#### AVAILABLE IN:

- Black
- Sniper Grey
- Flat Dark Earth
- Battlefield Green



## ENTRENCHING TOOL

A must-have for any outdoor enthusiast, this innovative entrenching tool has a surface-treated blade that can be locked in three positions for multiple uses. The hardened saw located inside the handle can be quickly mounted if required. When folded, the GLOCK Entrenching Tool can be easily stored in a backpack or vehicle. Comes with a durable nylon pouch that can attach to a belt or backpack. (store.teamglock.com)



FOLDS DOWN FOR  
EASY STORAGE



# GLOCK ACCESSORIES

HOLSTERS, CASE & SIGHTS



## GLOCK DUMMY ROUNDS

GLOCK Dummy Rounds have the same shape and dimensions as live ammunition in the 9x19, .40 AUTO, and .45 AUTO chamberings but are totally inert and safe for dry-fire practice. Produced from a polyamide polymer, GLOCK Dummy Rounds live up to GLOCK quality standards, which ensure resistance to abrasion, long service life, and superior performance. GLOCK Dummy Rounds are the safe choice made by police, military, and civilians for training purposes. (store.teamglock.com)

## SPORT/DUTY HOLSTER

The tough basic model, in both left- and right-hand versions, secures the entire pistol safely with a thumb-break retention strap. Available in 1.34-inch (34mm) and 1.77-inch (45mm) belt widths. (store.teamglock.com)



## MAGAZINE POUCH

This ambidextrous pouch will accommodate belt widths from 1.25 inches (31.8mm) to 2.48 inches (63mm). The pouch has an integral detent, which provides retention without the need for straps or flaps. Available for all magazines, excluding the GLOCK 36 and GLOCK 42. (store.teamglock.com)



## SPORT/COMBAT HOLSTER

A super-lightweight, ambidextrous holster that's popular for off-duty or plainclothes use. It conceals GLOCK pistols beneath a coat or jacket. A special trigger guard retention device secures the pistol in the holster. The holster will accommodate belt widths from 1.25 inches (31.8mm) to 2.48 inches (63mm). (store.teamglock.com)





# FIREARMS DESIGNED WITH EVERY NEED IN MIND



When buying a firearm, it's important to choose one that serves your specific needs. That's why GLOCK™ pistols are designed to meet a range of requirements—while still possessing the fundamental qualities you depend on. **No matter your objective, we have the firearm that's right for you.**

DUTY	SPORT SHOOTING	CONCEALED CARRY
PERSONAL DEFENSE	ENTHUSIAST	HUNTING

MOS MOS CONFIGURATIONS AVAILABLE

	SLIMLINE	SUBCOMPACT	COMPACT	STANDARD	LONG SLIDE
9x19	G43 ●●● G43X ●●●● MOS G48 ●● MOS	G26 ●●●	G19 ●●●● G45 ●●● MOS	G17 ●●●●	G34 ●●●● MOS G17L ●
.40		G27 ●●●	G23 ●●●	G22 ●●●	G35 ●●● MOS G24 ●●
10mm Auto		G29 ●		G20 ●●●	G40 ●●● MOS
.45 Auto	G36 ●●●	G30 ●●		G21 ●●●●	G41 ●●● MOS
.45 G.A.P.		G39 ●	G38 ●	G37 ●	
.380 Auto	G42 ●●●				
.357		G33 ●	G32 ●	G31 ●	
.22 LR			G44 ●●		

**SPECIAL TRAINING AND PRACTICE MODELS**

Cutaway	Practice	Reset	Training
---------	----------	-------	----------

For more information, visit [us.glock.com](http://us.glock.com) or find a dealer near you.



**G43X**

**G48**

**MOS**

## OPTIC READY SLIMLINE

**The G43X & G48 Are Now Available with MOS & Accessory Rail**

In certain situations, having a lightweight, reliable pistol within reach can improve your peace of mind.

Get the compact comfort you expect from a concealed carry, plus unmatched accuracy and easy handling with the G43X and G48—now equipped with modular optic system and accessory rail. For an extra sense of security, whenever you need it.

[us.glock.com/slimline](https://us.glock.com/slimline)

