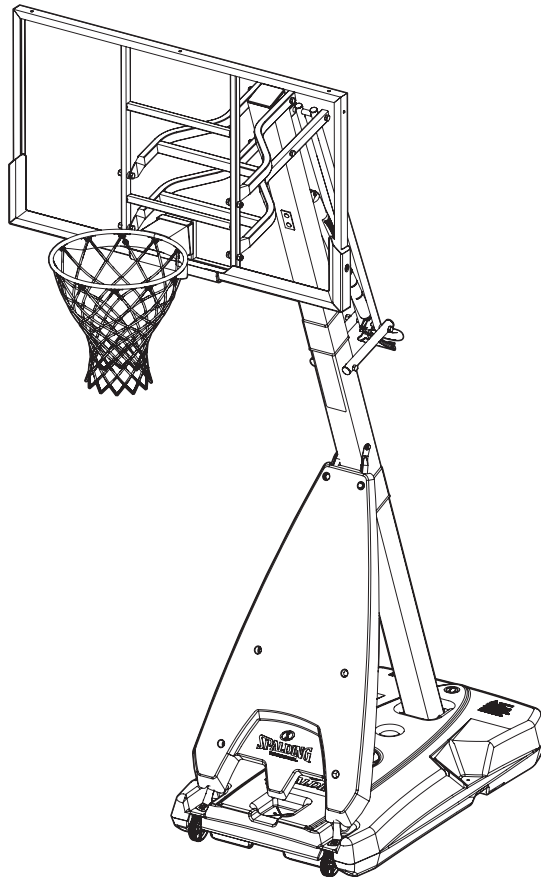




English

Portable Basketball System Owners Manual



Write Model Number From Box Here:

	WARNING! READ AND UNDERSTAND OPERATOR'S MANUAL BEFORE USING THIS UNIT.
	FAILURE TO FOLLOW OPERATING INSTRUCTIONS COULD RESULT IN INJURY OR DAMAGE TO PROPERTY.

This manual, accompanied by sales receipt,
should be saved and kept on hand as a
convenient reference, as it contains important
information about your model.

Toll-Free Customer Service Number for U.S: 1-800-558-5234,

For Canada: 1-800-284-8339,

For Europe: +353 51 379777,

For Australia: 1-300-367-582

IMPORTANT!



Questions or Missing Parts?

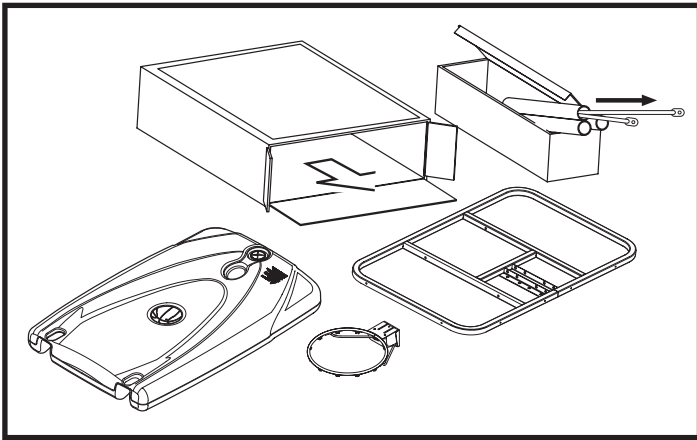
DON'T go back to store!



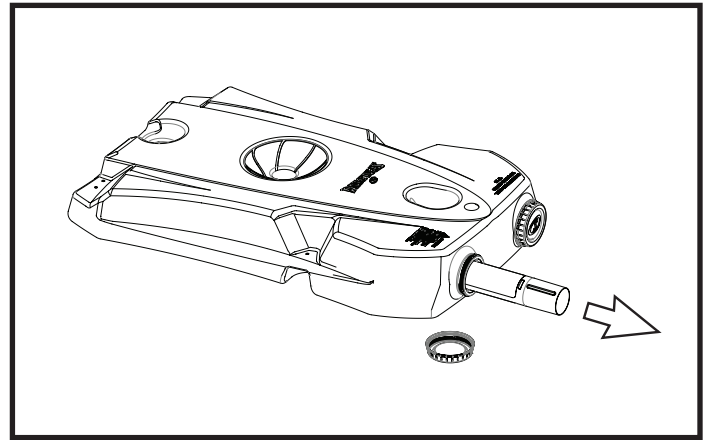
Call TOLL-FREE Customer Service
Number listed on the front page!

BEFORE YOU START REMOVE ALL CONTENTS!

Remove ALL contents from boxes.
Be sure to check INSIDE pole sections;
hardware and additional parts are packed inside.



OR



NOTICE TO ASSEMBLERS



Adult Assembly Required

Dispose of ALL packaging materials promptly.

As with all products, periodically inspect for loose small parts.

Assembled unit MUST be filled with sand or water at ALL times.

ALL basketball systems, including those used for DISPLAYS, MUST be assembled and installed according to instructions.

Failure to follow instructions could result in SERIOUS INJURY.

It is NOT acceptable to devise a makeshift support system.

Email: warrantyservice@custserv.fotlinc.com

Spalding
PO Box 90015
Bowling Green, KY 42102



Basketball System Warranty

For the very latest Basketball System Warranty information
Please visit the Spalding Basketball website at www.Spalding.com

Contact Spalding Customer Service at phone # 1-800-558-5234

Système de basket-ball garantie

Pour l'information de garantie de système de basket-ball plus tard
Visitez le site Web de Spalding Basketball à www.Spalding.com

Contacter le Service clientèle Spalding au # de téléphone 1-800-558-5234

Basketball-System Garantie

Die neuesten Basketball System-Garantie informationen
Besuchen Sie bitte die Spalding Basketball-Website unter www.Spalding.com

Spalding-Kundendienst am Telefon # 1-800-558-5234

Sistema de baloncesto Garantía de dueños

Para la última información de garantía del sistema de baloncesto
Por favor visite el sitio web de Spalding Basketball en www.Spalding.com

Póngase en contacto con servicio al cliente de Spalding en teléfono # 1-800-558-5234

REQUIRED TOOLS AND MATERIALS:



• 2 Capable Adults



• Tape Measure



• Wood Board (scrap)



• Sawhorse or Support Table



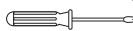
• Hammer



• Safety Glasses



• Step Ladder - 8ft. (2.4 m)



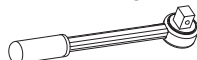
• Phillips-Head Screwdriver

• (2 each) Wrenches and/or Socket Wrenches and Sockets (Deep-Well Sockets are Recommended).



7mm 1/2" 9/16" 3/4"

AND/OR

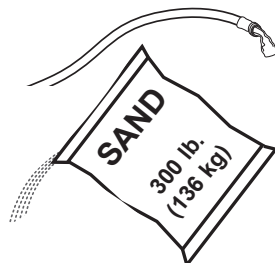


7mm 1/2" 9/16" 3/4"

• Extension is Recommended.

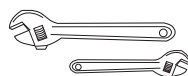


• Garden Hose or Sand



OPTIONAL TOOLS AND MATERIALS:

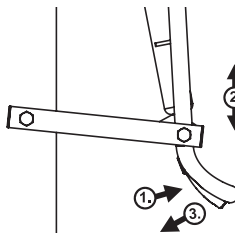
• Large and Small Adjustable Wrenches



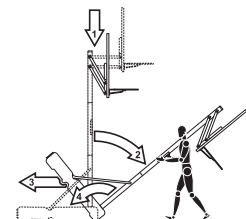
HEIGHT ADJUSTMENT

TO ADJUST BACKBOARD:

1. Grasp handle and squeeze trigger.
2. Raise or lower to desired height.
3. Release trigger.



MOVING SYSTEM



1. Adjust basketball backboard height to lowest position.
2. While holding pole, rotate basketball system forward until wheels engage with ground.
3. Move basketball system to desired location.
4. Carefully rotate basketball system upright.
5. Check system for stability.

500065 06/19



WARNING

Read and understand warnings listed below before using this product.

Failure to follow these warnings may result in serious injury and/or property damage.

Owner must ensure that all players know and follow

- these rules for safe operation of the system.
- DO NOT HANG on the rim or any part of the system including backboard, support braces or net.
- During play, especially when performing dunk type activities, keep player's face away from the backboard, rim and net. Serious injury could occur if teeth/face come in contact with backboard, rim or net.
- Do not slide, climb, shake or play on base and/or pole.
- After assembly is complete, fill system completely with water or sand and stake to the ground. Never leave system in an upright position without filling base with weight, as system may tip over causing injuries.
- When adjusting height or moving system, keep hands and fingers away from moving parts.
- Do not allow children to move or adjust system.
- During play, do not wear jewelry (rings, watches, necklaces, etc.). Objects may entangle in net.
- Surface beneath the base must be smooth and free of gravel or other sharp objects. Punctures cause leakage and could cause system to tip over.
- Keep organic material away from pole base. Grass, litter, etc. could cause corrosion and/or deterioration.
- Check pole system for signs of corrosion (rust, pitting, chipping) and repaint with exterior enamel paint. If rust has penetrated through the steel anywhere, replace pole immediately.
- Check system before each use for proper ballast, loose hardware, excessive wear and signs corrosion and repair before use.
- Check system before each use for instability.
- Do not use system during windy and/or severe weather conditions; system may tip over. Place system in the storage position and/or in an area protected from the wind and free from personal property and/or overhead wires.
- Never play on damaged equipment.
- See instruction manual for proper installation and maintenance.
- When moving system, use caution to keep mechanism from shifting.
- Keep pole top covered with cap at all times.
- Do not allow water in tank to freeze. During sub-freezing weather add 2 gallons of non-toxic antifreeze, sand or empty tank completely and store. (Do not use salt.)
- While moving system, do not allow anyone to stand or sit on base or have added ballasting on base.
- Do not leave system unsupervised or play on system when wheels are engaged for moving.
- Use Caution when moving system across uneven surfaces. System may tip over.
- Use extreme caution if placing system on sloped surface. System may tip over more easily.

SPALDING

In the U.S.: 1-800-558-5234
In Canada: 1-800-284-8339
In Australia: 1-300-367-582

SURE SHOT

In the U.S.: 1-800-558-5234

RUSSELL

Trademarks registered in the USA and other countries.

HYDRA-RIB

In the U.S.: 1-800-336-9111

HUFFY SPORTS

In the U.S.: 1-800-558-5234
In Canada: 1-800-284-8339

ID#: 50003701 03/12

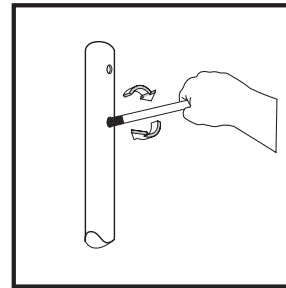
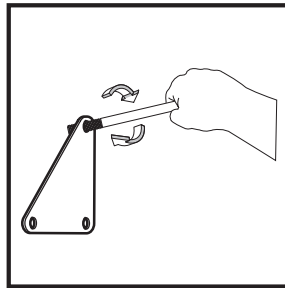
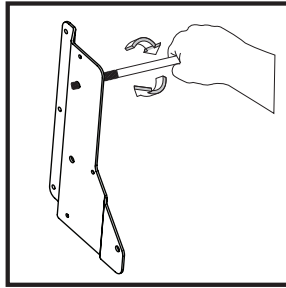
TEST-FIT CLOSE TOLERANCE BOLTS

To ensure optimal playability of backboard system, a close tolerance fit between the elevator components and hardware is required.

Test-fit large bolts into large holes of elevator tubes, backboard brackets, and triangle plates.

Carefully rock them in a circular motion to ream out any excess paint from holes if necessary.

NOTE: Not all items pictured are included with every model.



SAFETY INSTRUCTIONS



FAILURE TO FOLLOW THESE SAFETY INSTRUCTIONS MAY RESULT IN SERIOUS INJURY OR PROPERTY DAMAGE AND WILL VOID WARRANTY.

Owner must ensure that all players know and follow these rules for safe operation of the system.

To ensure safety, do not attempt to assemble this system without following the instructions carefully. Check entire box and inside all packing material for parts and/or additional instruction material. Before beginning assembly, read the instructions and identify parts using the hardware identifier and parts list in this document. Proper and complete assembly, use, and supervision are essential for proper operation and to reduce the risk of accident or injury. A high probability of serious injury exists if this system is not installed, maintained, and operated properly.

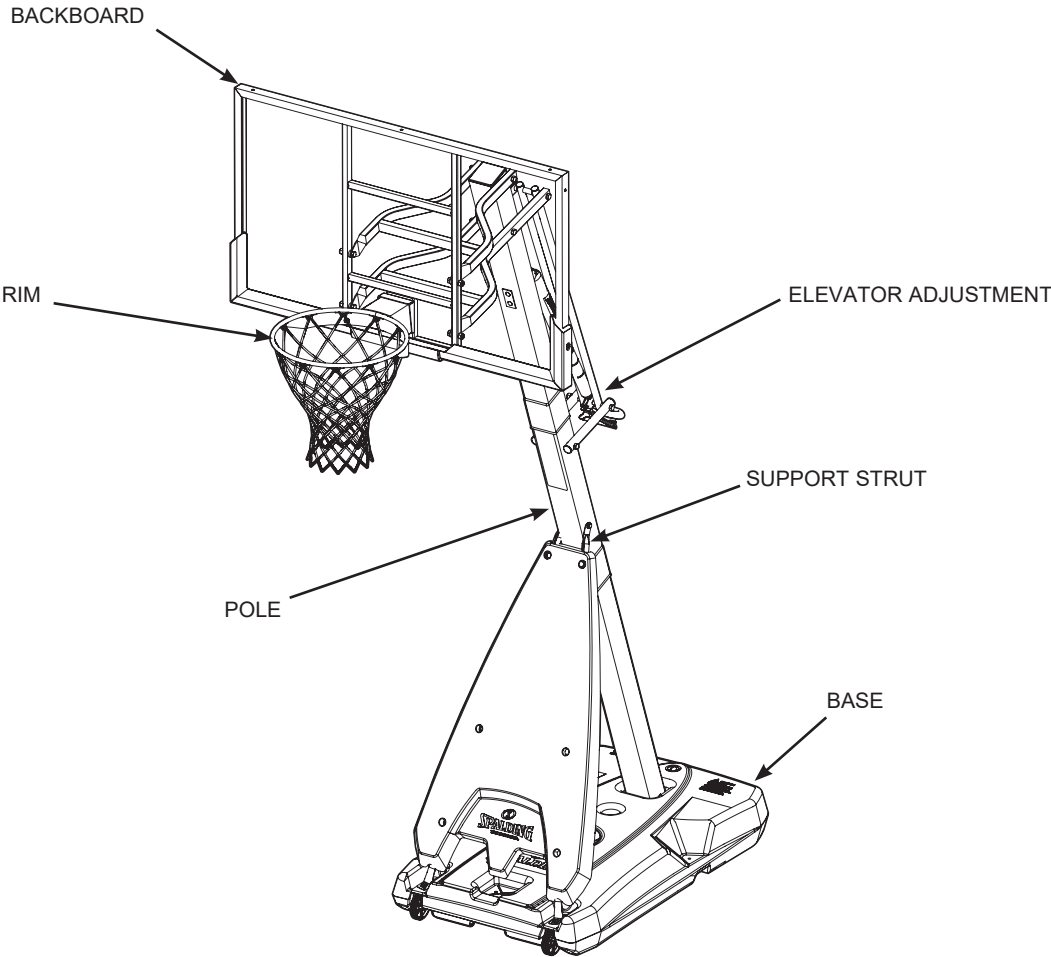
- If using a ladder during assembly, use extreme caution.
- Check base regularly for leakage. Slow leaks could cause the system to tip over unexpectedly
- Seat the pole sections properly (if applicable). Failure to do so could allow the pole sections to separate during play and/or during transport of the system.
- Climate, corrosion or misuse could result in system failure.
- If technical assistance is required, contact Customer Service.
- Minimum operational height is 6'-6" (1.98m) to the bottom of backboard.

Most injuries are caused by misuse and/or not following instructions.

Use caution when using this unit.

Get to know the basic parts of your basketball system...

FRONT VIEW



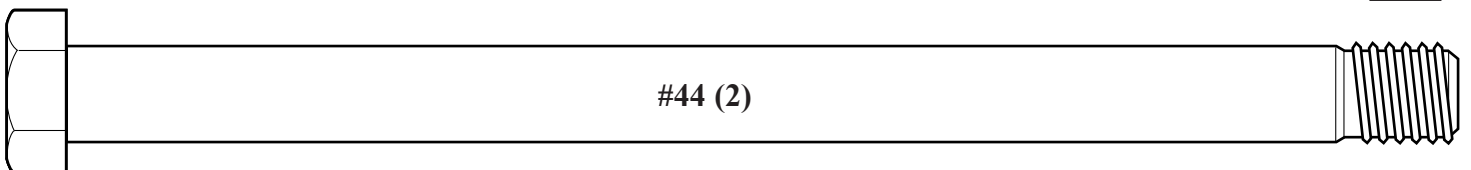
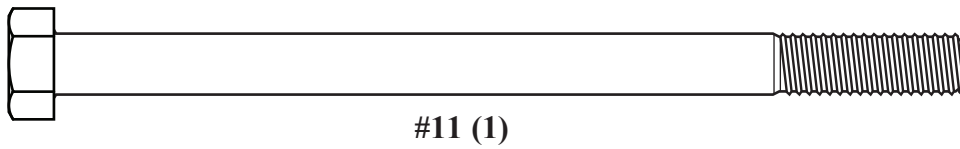
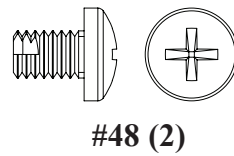
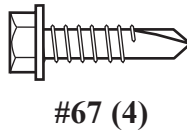
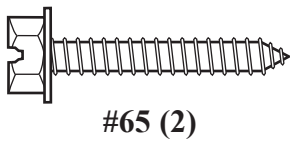
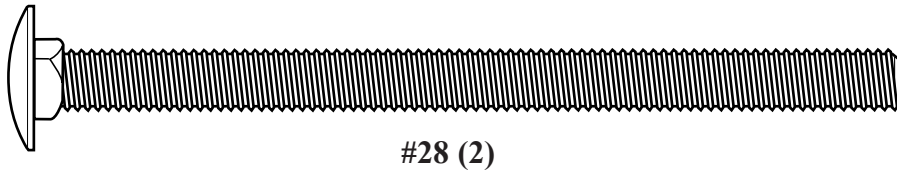
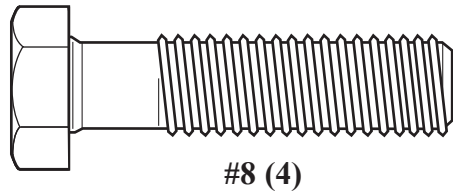
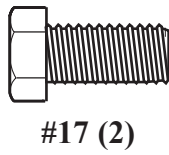
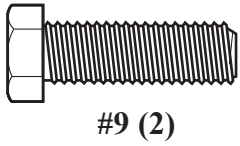
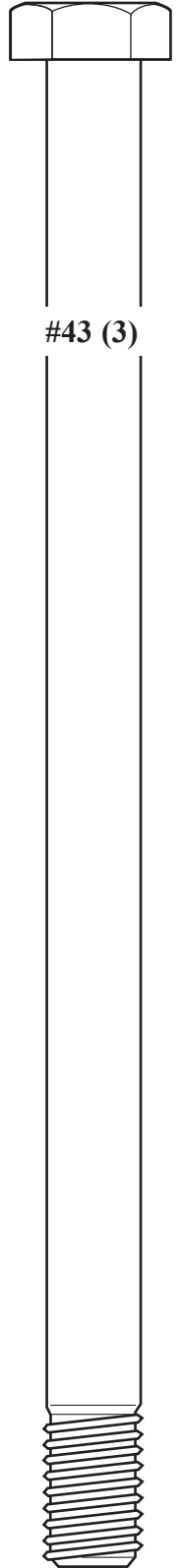
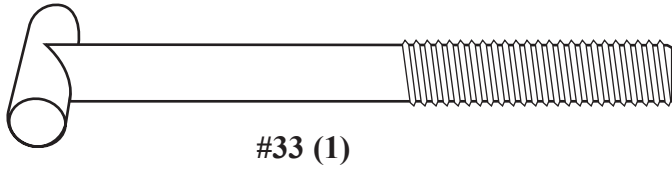
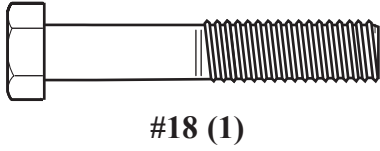
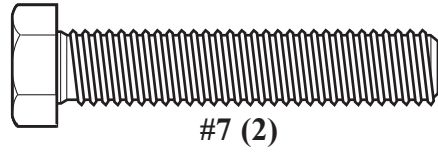
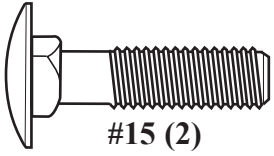
	NOTE:
BOARD STYLE WILL VARY	

PARTS LIST - See Hardware Identifier

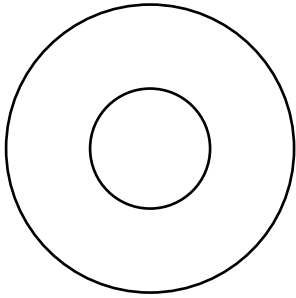
<u>Item</u>	<u>Qty.</u>	<u>Part No.</u>	<u>Description</u>	<u>Item</u>	<u>Qty.</u>	<u>Part No.</u>	<u>Description</u>
1	1	600335	Base, (Black)	34	1	206989	Pole Reinforcement Bracket
2	2	10818201	Wheel Axle	35	1	203470	Washer, Flat, Slam Jam
3	2	266200	Wheel, 4"	36	1	203795	Nut, Special
4	1	901648	Top Pole Section - Black	37	2	208829	Plug, Tube, Snap In, 1",Black
5	1	901647	Middle Pole Section - Black	38	4	208828	Plug, Tube, Snap In, 1.25", Black
6	1	901646	Bottom Pole Section - Black	39	1	60028601	Front Cover, Ball Return
7	2	203679	Bolt 3/8-16 x 2 Long	40	9	206340	Nut, Nylock, 1/2-13
8	4	206665	Bolt, Hex Head, 1/2-13 x 2.0 Long	41	1	901649	Elevator Arm, Lower - Black
9	2	203156	Bolt, Hex, 5/16-18 x 1.0 Long	42	1	901645	Elevator Arm, Upper - Black
10	1	901121	Tank Strut - Black	43	3	205678	Bolt, Hex, 1/2-13 x 7" Long
11	1	208247	Bolt, Hex Head, 5/16-18 x 4.75" Long	44	2	201640	Bolt, Hex, 1/2-13 x 7.25" Long
12	6	203218	Washer, Flat, 5/16 I.D.	47	1	908355	Cover Plate, Rim
13	2	203099	Nut, Nylock, 5/16-18	48	2	204558	Screw, 1/4" x .375" Long
14	4	201651	Spacer, .5 I.D. X .25 Long	49	1	205355	Drill Bit, 11/64"
15	6	208505	Bolt, Carriage, 5/16-18 x 1.5 Long	50	1	108181	Plate, Pole Mounting
16	12	203100	Nut, Hex Flange, 5/16-18	51	4	208892	Bolt, Hex Flange, 5/16-18 x 1.625" Long
17	2	204962	Bolt, Hex, 5/16-18 x .625 Long	52	2	901508	Tube, Vertical Elevator, Gas Strut
18	1	202739	Bolt, Hex, 5/16-18 x 1.75 Long	53	2	901527	Tube, Gas Strut, Handle Arms
19	2	108183	Wheel Bracket	54	1	702653	Gas strut assembly
20	2	205082	Spacer 0.530 I.D. x .38 Long	55	6	208251	Spacer, .50 ID x .98 OD x .125 Long
21	1	500065	Label, Height Adjustment and Moving	56	1	801477	Cover, Spalding
22	1	600052	Cap, Pole Top	57	1	204007	Nut, Nylock, M4 x 0.7
23	4	207550	Axle Nut	58	1	208762	Bolt, Hex, M4 x 0.7 x 25mm Long
24	1	203617	Cap, Base	59	1	600342	Handle, Gas Lift
25	1		Rim	60	1	600343	Trigger, Elevator
26	1		Net	61	1	901120	Tank Strut, Left - Black
27	1	108163	Pole Mount Bracket	62	1	20157801	Board Pad, Left Section
28	2	204846	Bolt, Carriage, 5/16-18 x 4.5" Long	63	1	20157901	Board Pad, Right Section
29	1	201683	Spacer 0.53 I.D. x 1.50 Long	64	1	201580	Board Pad, Center Section
30	1	208760	Spring, Black, Slam Jam	65	2	201596	Screw, 1/4 x 1.25
31	1	200318	Bracket, Reinforcement, Slam Jam	66	6	206303	Washer, Flat, 1/4
32	1	900033	Bracket, Slam Jam	67	4	202871	Screw, 1/4 x .75
33	1	206048	T-Bolt, 3/8-16 x 3.25 Long				

* You may have extra parts with this model.

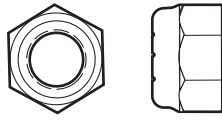
HARDWARE IDENTIFIER (BOLTS AND SCREWS)



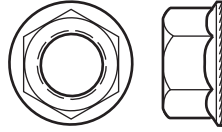
HARDWARE IDENTIFIER (NUTS AND WASHERS)



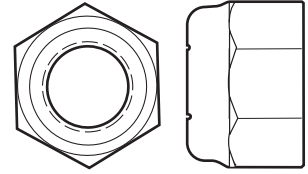
#35 (1)



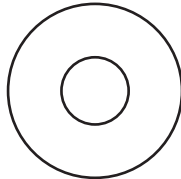
#13 (2)



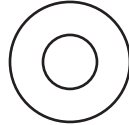
#16 (12)



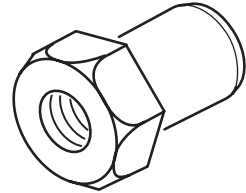
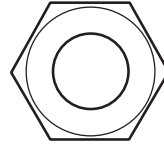
#40 (9)



#12 (8)



#66 (6)

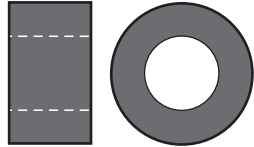


#36 (1)

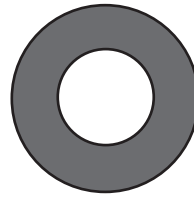
HARDWARE IDENTIFIER (PLASTIC SPACERS, CAPS, CLIPS AND OTHER)



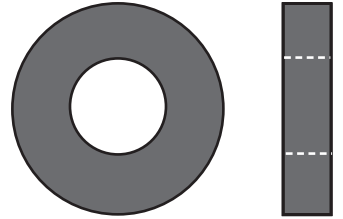
#29 (1)



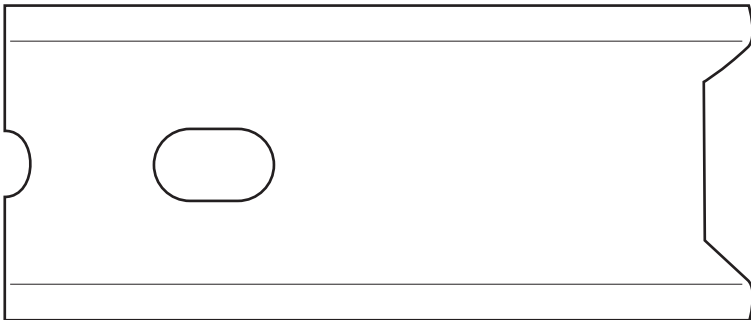
#20 (2)



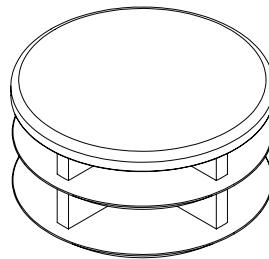
#55 (6)



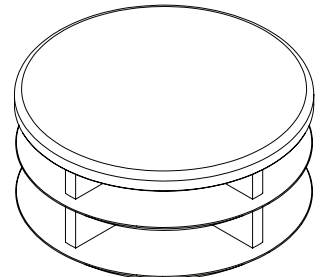
#14 (4)



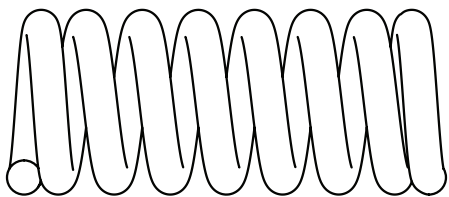
#31 (1)



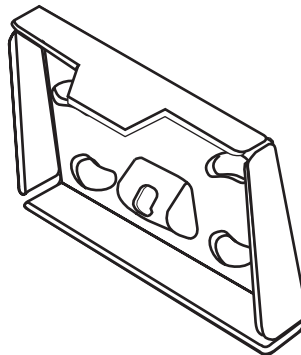
#37 (2)



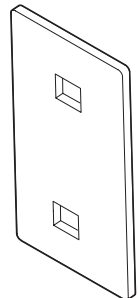
#38 (4)



#30 (1)



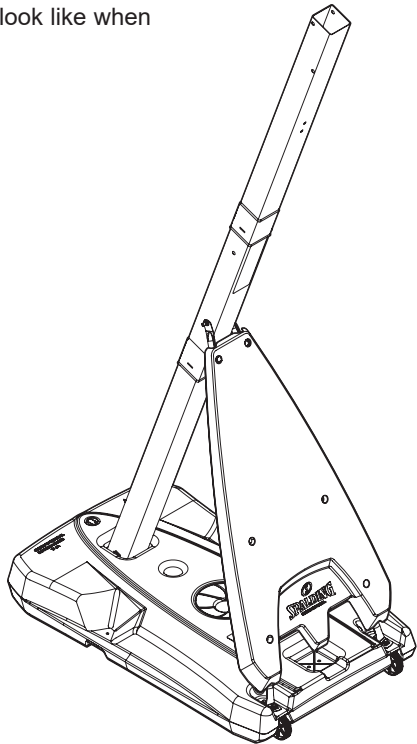
#32 (1)



#34 (1)

SECTION A: ASSEMBLE THE BASE

This is what your system will look like when you've finished this section.

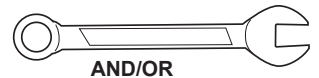


WARNING!

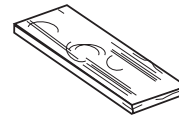
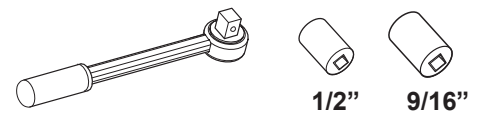
TWO CAPABLE ADULTS REQUIRED FOR THIS PROCEDURE. FAILURE TO FOLLOW THIS WARNING COULD RESULT IN SERIOUS INJURY AND/OR PROPERTY DAMAGE.

ITEMS REQUIRED FOR THIS SECTION

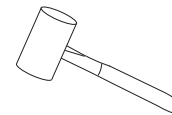
(2) 1/2", and (2) 9/16" Wrenches



(2) Socket Wrenches and Sockets

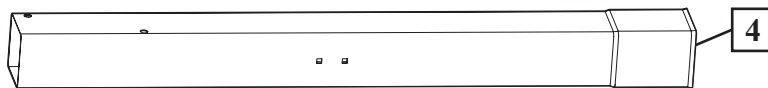


Wood Board (scrap)



Hammer or Mallet

1. Correctly identify each pole section. Measure and mark 4.0" (10.2 cm) from top of middle (5) and bottom pole (6).



(Front of pole shown)

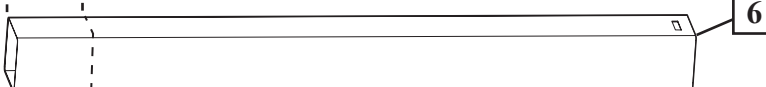
TOP

4.0"
(10.2 cm)

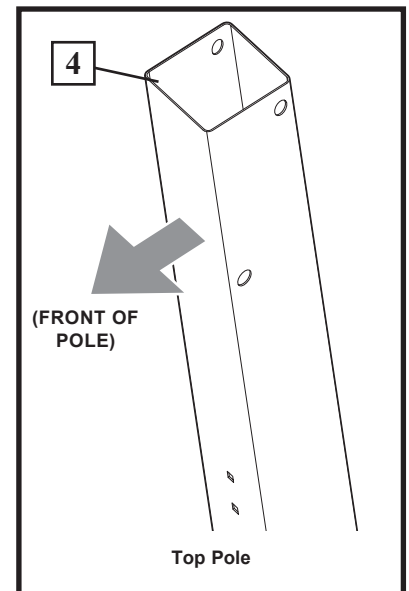


MIDDLE

4.0"
(10.2 cm)



BOTTOM



2. Carefully align **middle pole** section (5) into **top pole** section (4) as shown. Bounce sections together using a wood scrap, while maintaining alignment, until the **top pole** section (4) reaches the mark line on **middle pole** section (5).

You should have a 4.0" (10.2 cm) overlap when properly assembled.

⚠ NOTE: IF MINIMUM POLE ENGAGEMENT WHICH ALLOWS THE HARDWARE TO BE ASSEMBLED CANNOT BE ACHIEVED !! STOP !! DO NOT PROCEED TO THE NEXT STEP! - CALL SPALDING CUSTOMER SERVICE FOR ASSISTANCE.

WARNING!




TWO CAPABLE ADULTS REQUIRED FOR THIS PROCEDURE. FAILURE TO FOLLOW THIS WARNING COULD RESULT IN SERIOUS INJURY AND/OR PROPERTY DAMAGE.

CAUTION!

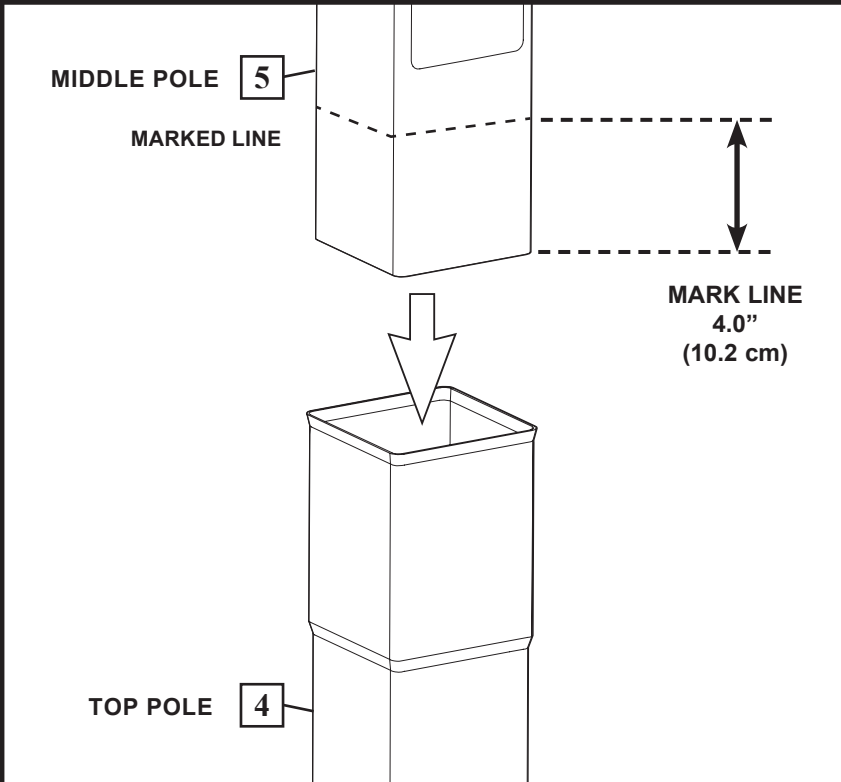


WHEN PROPERLY POUNDED TOGETHER, THE POLE SECTIONS SHOULD HAVE A 4.0" (10.2 CM) OVERLAP.

IMPORTANT!



Align the top pole section (4) into the middle pole section (5) as shown.

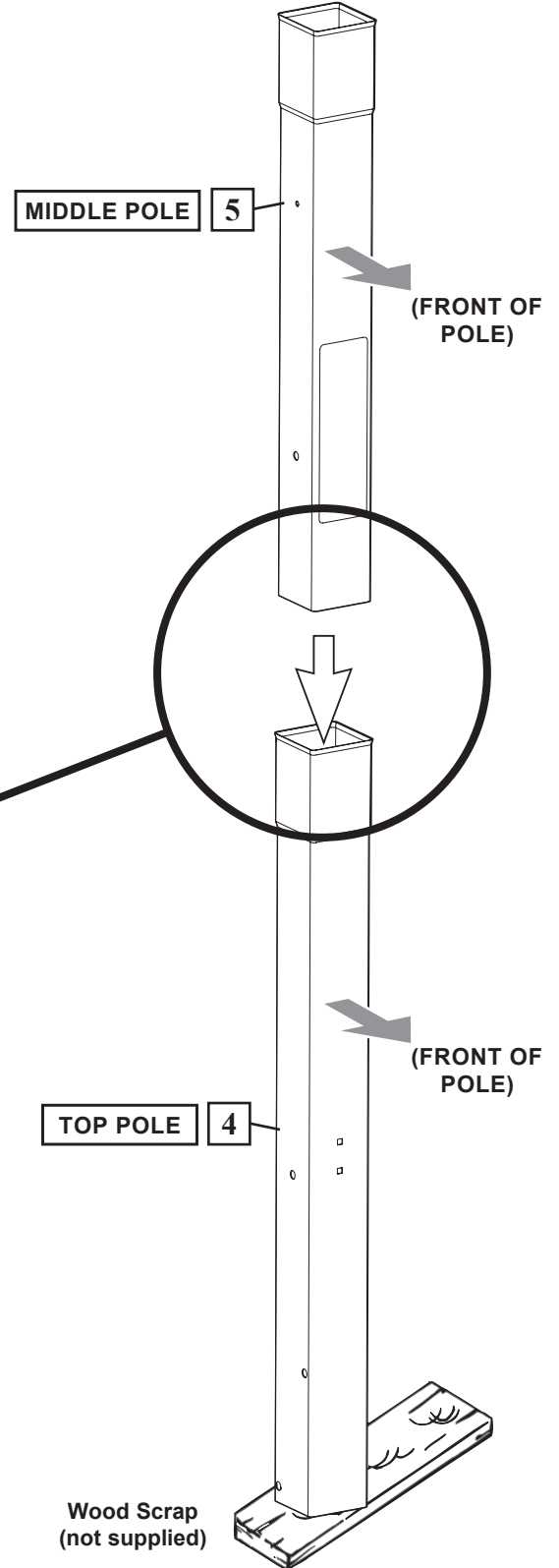


MIDDLE POLE 5

MARKED LINE

MARK LINE 4.0" (10.2 cm)

TOP POLE 4



MIDDLE POLE 5

(FRONT OF POLE)

(FRONT OF POLE)

TOP POLE 4

Wood Scrap (not supplied)

3.

Carefully align **top and middle pole** assembly (4 & 5) onto **bottom pole** section (6) as shown. Bounce sections together using a wood scrap, while maintaining alignment, until the **middle pole** section (5) reaches the mark line on **bottom pole** section (6).

You should have a 4.0" (10.2 cm) overlap when properly assembled.

NOTE: IF MINIMUM POLE ENGAGEMENT WHICH ALLOWS THE HARDWARE TO BE ASSEMBLED CANNOT BE ACHIEVED !! STOP !! DO NOT PROCEED TO THE NEXT STEP! - CALL SPALDING CUSTOMER SERVICE FOR ASSISTANCE.

WARNING!



TWO CAPABLE ADULTS REQUIRED FOR THIS PROCEDURE. FAILURE TO FOLLOW THIS WARNING COULD RESULT IN SERIOUS INJURY AND/OR PROPERTY DAMAGE.

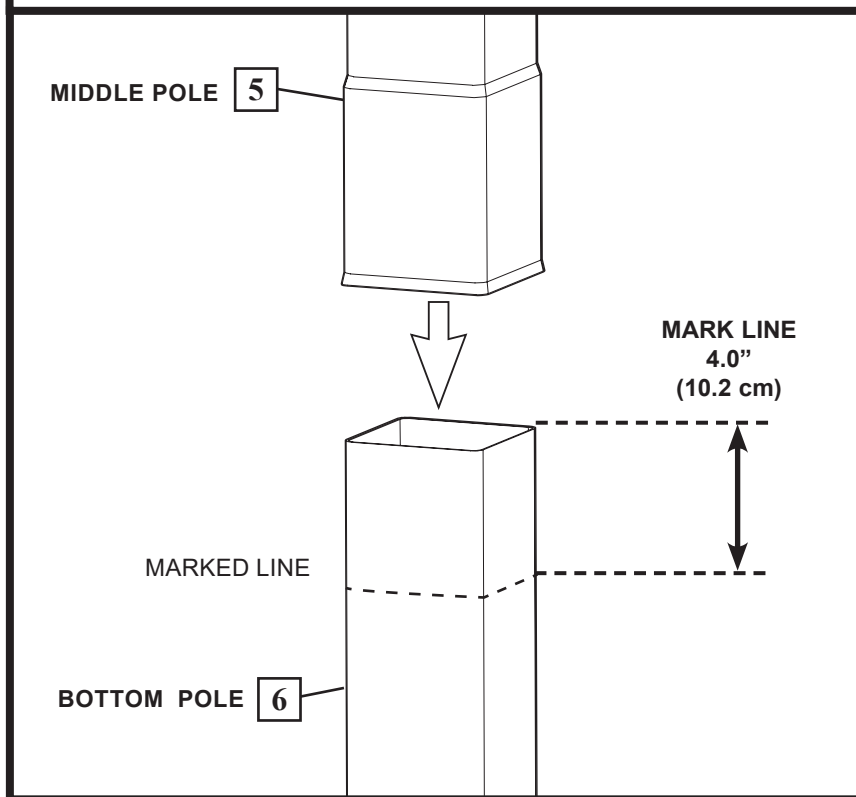
CAUTION!



WHEN PROPERLY POUNDED TOGETHER, THE POLE SECTIONS SHOULD HAVE A 4.0" (10.2 CM) OVERLAP.

IMPORTANT!

Align the middle pole section (5) into the bottom pole section (6) as shown.

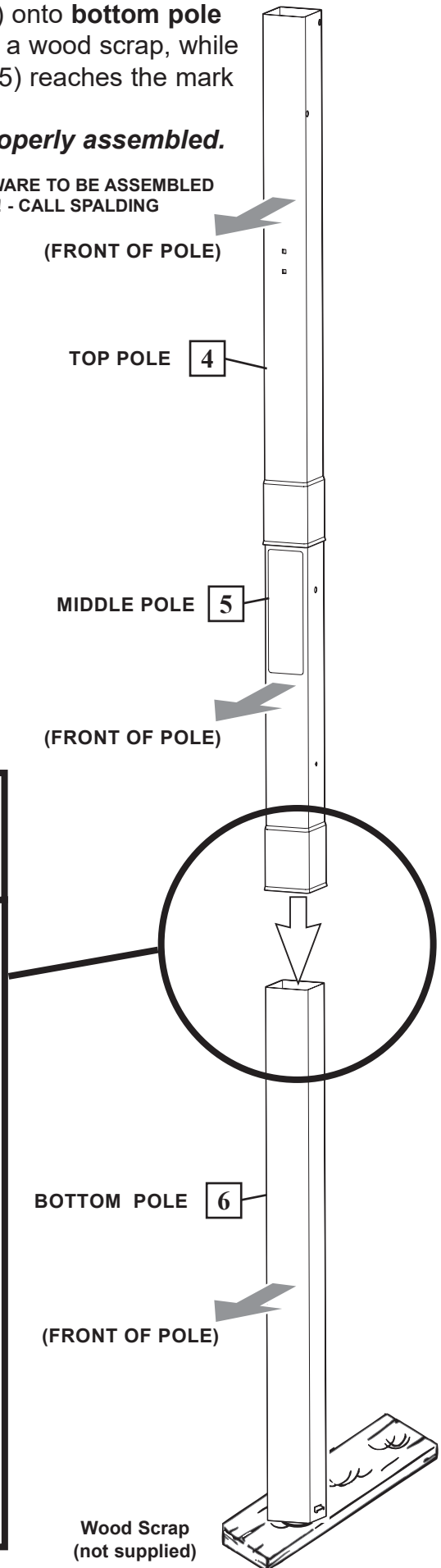


MIDDLE POLE 5

MARKED LINE

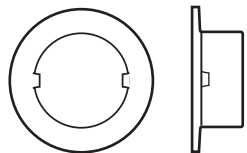
BOTTOM POLE 6

MARK LINE 4.0" (10.2 cm)

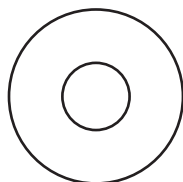


KIT #1 208868

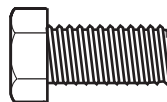
BASE ASSEMBLY - HARDWARE IDENTIFIER KIT #1



#23 (4)



#12 (2)

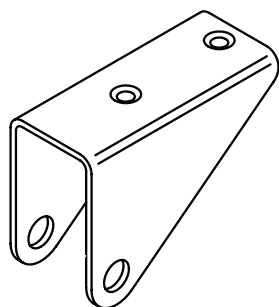


#17 (2)

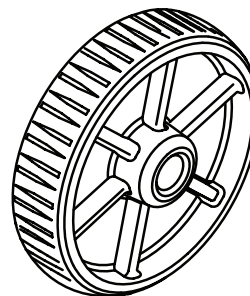


#2 (2)

Items not included in kit, found in hardware box.



#19 (2)



#3 (2)

PARTS LIST - KIT #1

<u>Item</u>	<u>Qty.</u>	<u>Part No.</u>	<u>Description</u>
2	2	10818201	Wheel, Axle
3	2	266200	Wheel, 4 Inch
12	2	203218	Washer, Flat, 5/16" ID
17	2	204962	Bolt, Hex, 5/16-18 x .625" Long
19	2	108183	Wheel Bracket
23	4	207550	Axle Nut

4.

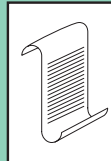
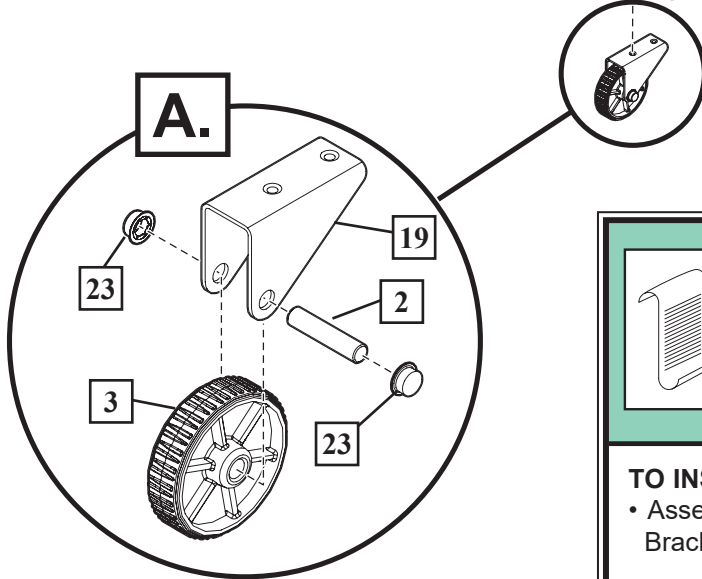
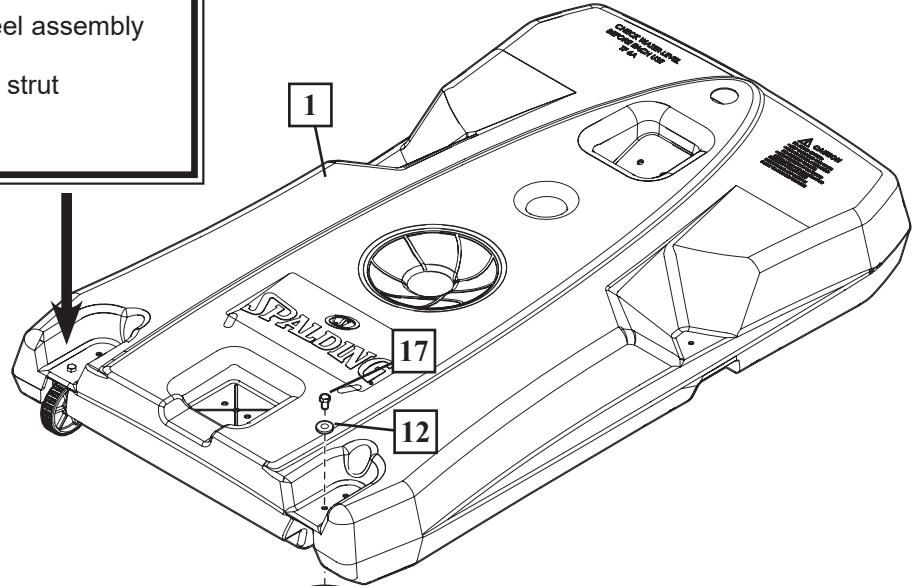
A

Install wheel assembly into bottom of base (1). Secure the wheels (3) into the wheel brackets (19) using axles (2) and nuts (23).

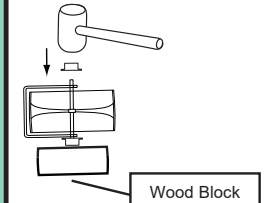


NOTE

Do not install both bolts into the wheel assembly at this time. The front bolt will be installed during strut assembly in Step 3 of this section.



NOTE



TO INSTALL SECOND PUSHNUT:

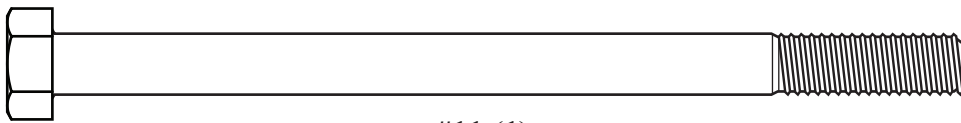
- Assemble Pushnut, Wheels, Axle, And Wheel Bracket As Shown.
- Support Pushnut/Axle From The End With A Block Of Wood To Install The Second Pushnut Onto The Axle.

B

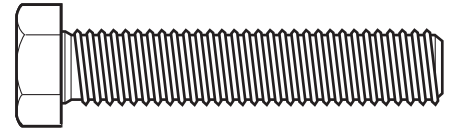
Install wheel assembly into bottom of base (1) using bolts (17) and washers (12) through base and into wheel brackets (19) as shown, using only the rear holes. The front holes will be used in a later step.

KIT #2 208869

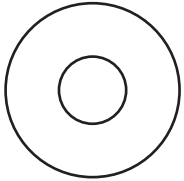
POLE AND STRUTS TO BASE - HARDWARE IDENTIFIER KIT #2



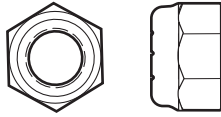
#11 (1)



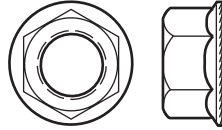
#7 (2)



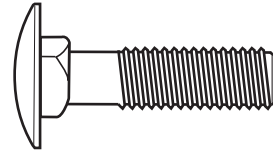
#12 (4)



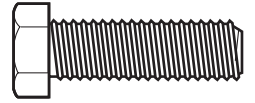
#13 (1)



#16 (6)

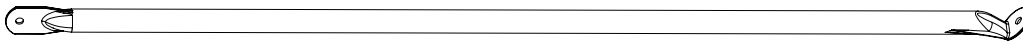


#15 (6)

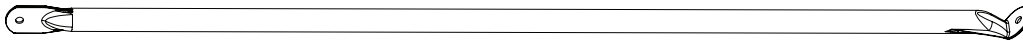


#9 (2)

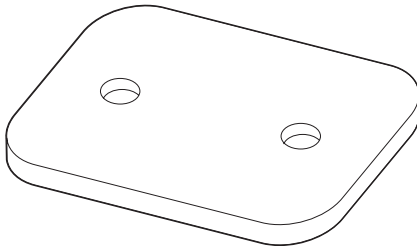
Items not included in kit, found in hardware box.



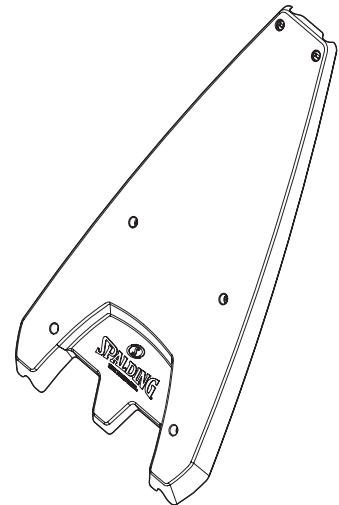
#10 (1)



#61 (1)



#50 (1)

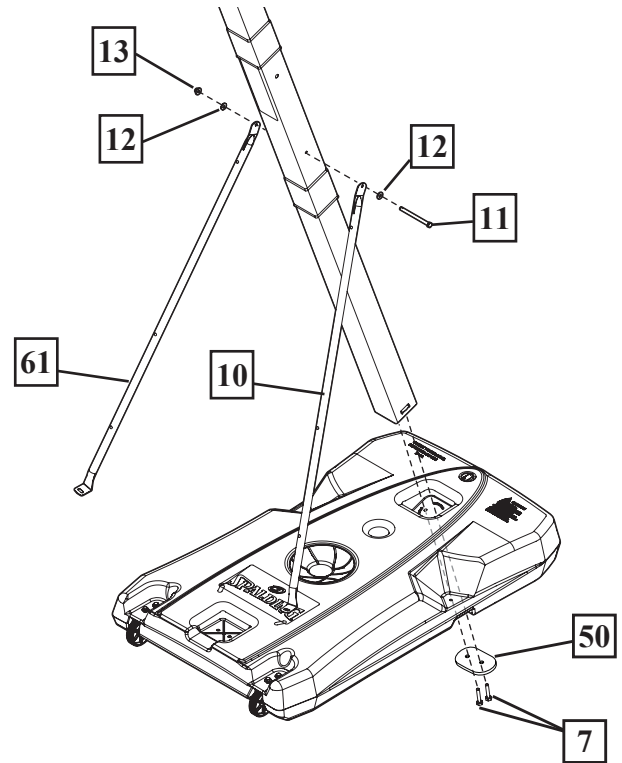


#39 (1)

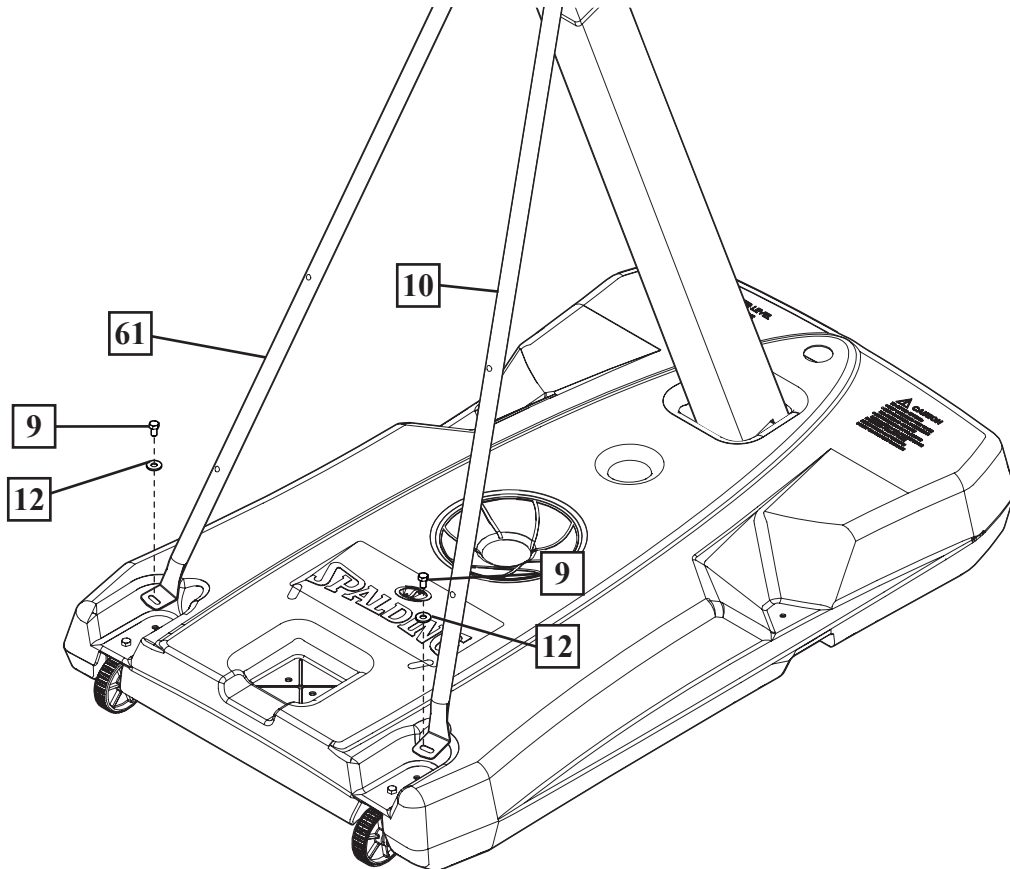
PARTS LIST - KIT #2

<u>Item</u>	<u>Qty.</u>	<u>Part No.</u>	<u>Description</u>
7	2	203679	Bolt, Hex, 3/8-16 x 2.0" Long
9	2	203156	Bolt, Hex, 5/16-18 x 1.0" Long
10	1	901121	Tank Strut, Right - Black
61	1	901120	Tank Strut, Left - Black
11	1	208247	Bolt, Hex Head, 5/16-18 x 4.75" Long
12	4	203218	Washer, Flat, 5/16 ID
13	1	203099	Nut, Nylock 5/16-18
15	6	208505	Bolt, Carriage 5/16-18 x 1.50" Long
16	6	203100	Nut, Hex Flange, 5/16-18
39	1	60028601	Front Cover, Ball Return
50	1	108181	Plate, Pole Mounting

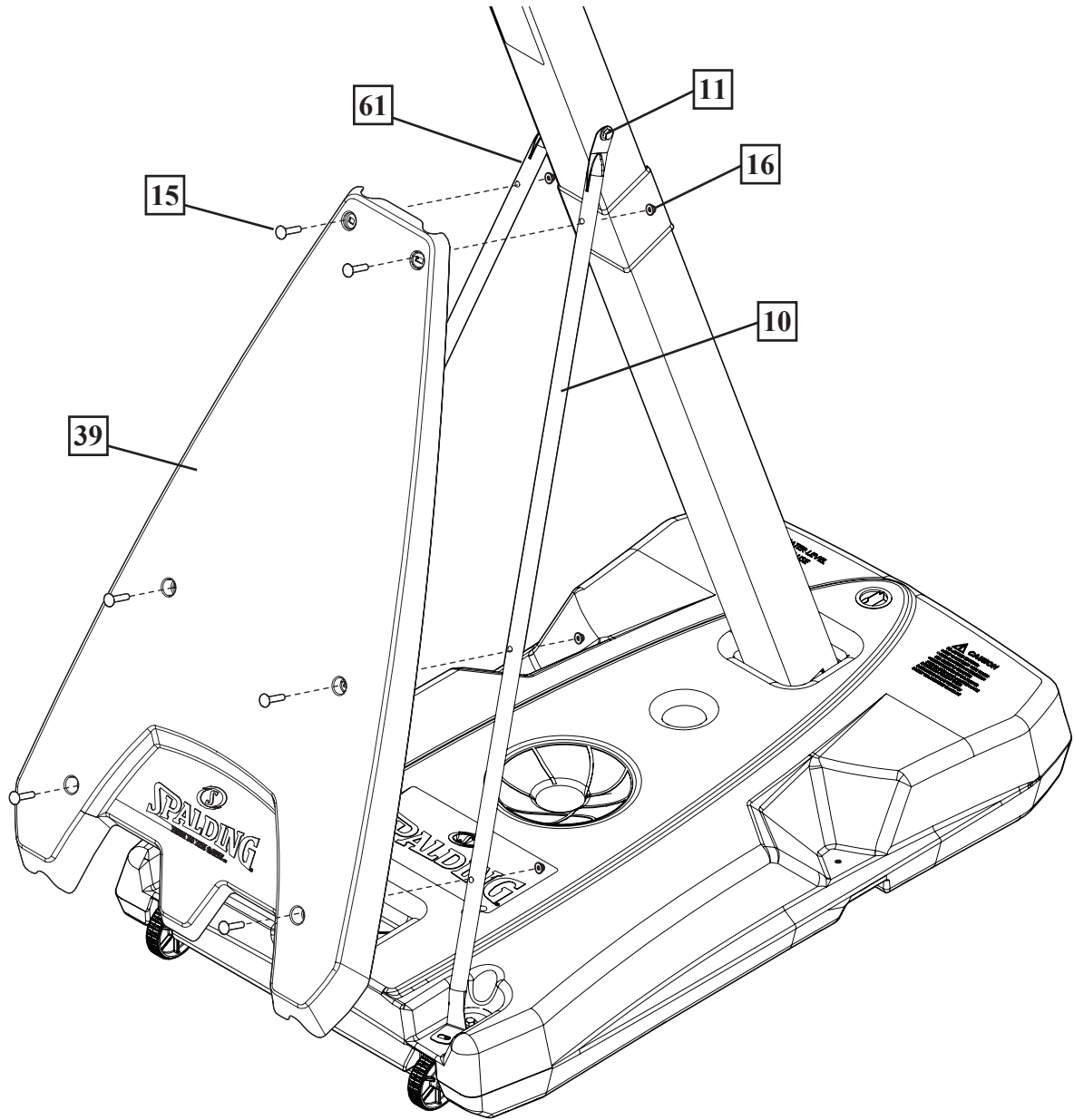
- 5.** Insert pole assembly into tank assembly as shown. Secure pole assembly (4,5,6) to tank using pole mounting plate (50) and bolts (7) as shown. Secure flat end of tank struts (10) to pole using bolt (11), washer (12), and nut (13), as shown. Do not fully tighten bolt (11) and nut (13).



- 6.** Rotate the non-secured angled ends of the struts (10), align base support frame (39) under base (1) and secure tank struts (10) to the base using bolts (15) and washers (12).



7. Secure cover (39) to base struts (10, 61) using bolts (15) and nuts (16) as shown. Leave bolts (15) and nuts (16) loose until all nuts and bolts have been started. Tighten bolt (11) from Step 5 when complete.



IMPORTANT!

**TIGHTEN ALL HARDWARE FROM THIS STEP
AFTER THIS ASSEMBLY IS COMPLETED**

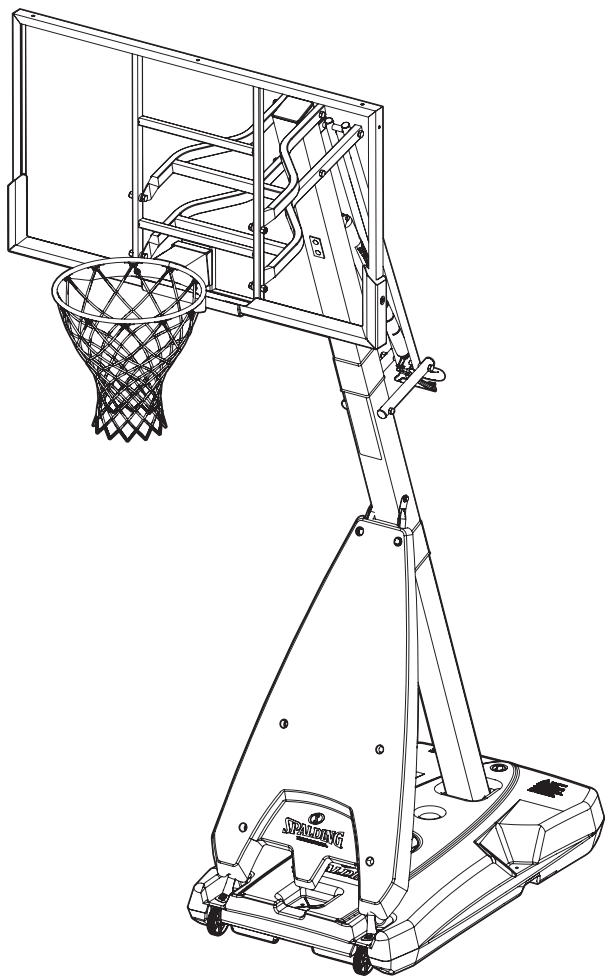


IMPORTANT!

DO NOT OVER TIGHTEN!

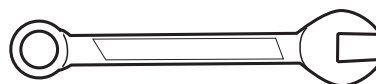
SECTION B: ATTACH THE BACKBOARD AND GAS STRUT

This is what your system will look like when you've finished this section.



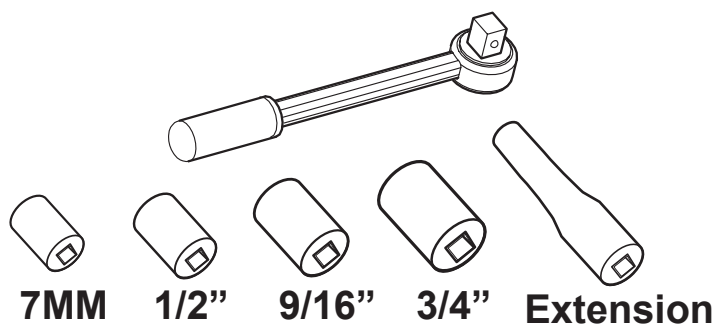
ITEMS REQUIRED FOR THIS SECTION

(2) 7mm, (2) 1/2", (2) 9/16" and (2) 3/4" Wrenches



AND/OR

(2) Socket Wrenches and Sockets



7MM

1/2"

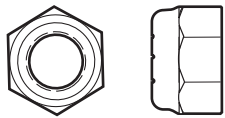
9/16"

3/4"

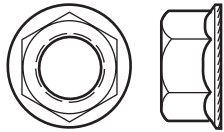
Extension

KIT #3 208870

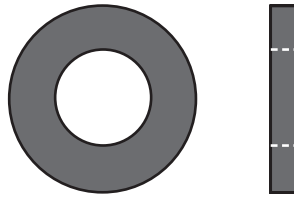
GAS STRUT ASSEMBLY - HARDWARE IDENTIFIER KIT #3



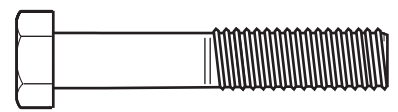
#13 (1)



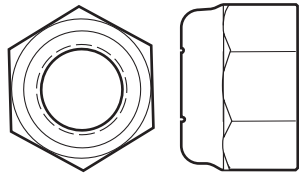
#16 (2)



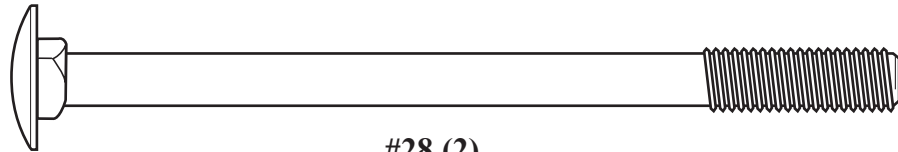
#55 (2)



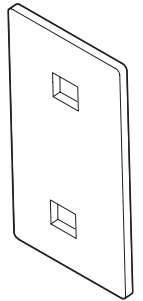
#18 (1)



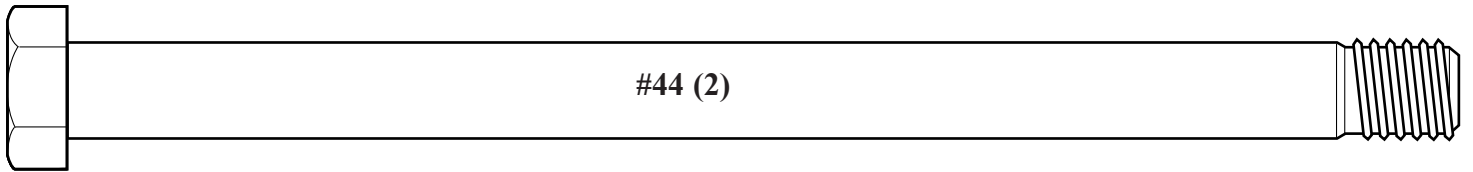
#40 (2)



#28 (2)



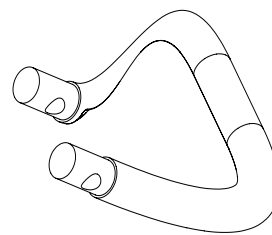
#34 (1)



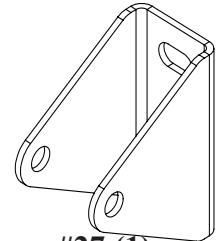
#44 (2)



#56 (1)



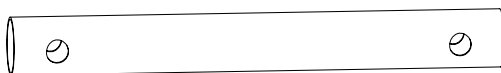
#59 (1)



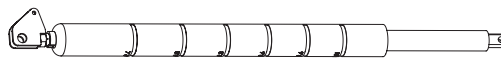
#27 (1)



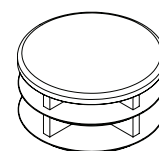
#52 (2)



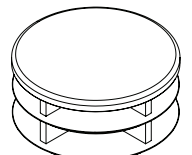
#53 (2)



#54 (1)



#37 (2)

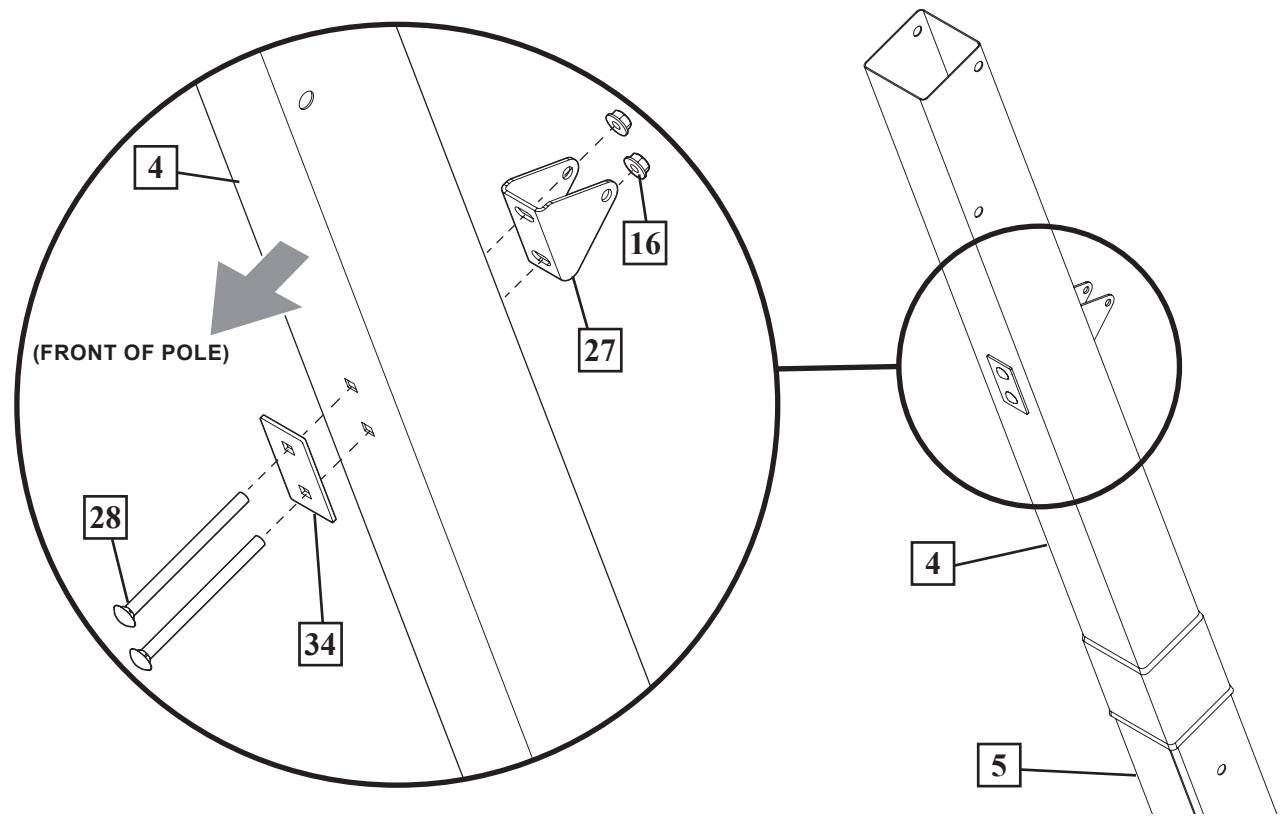


#38 (4)

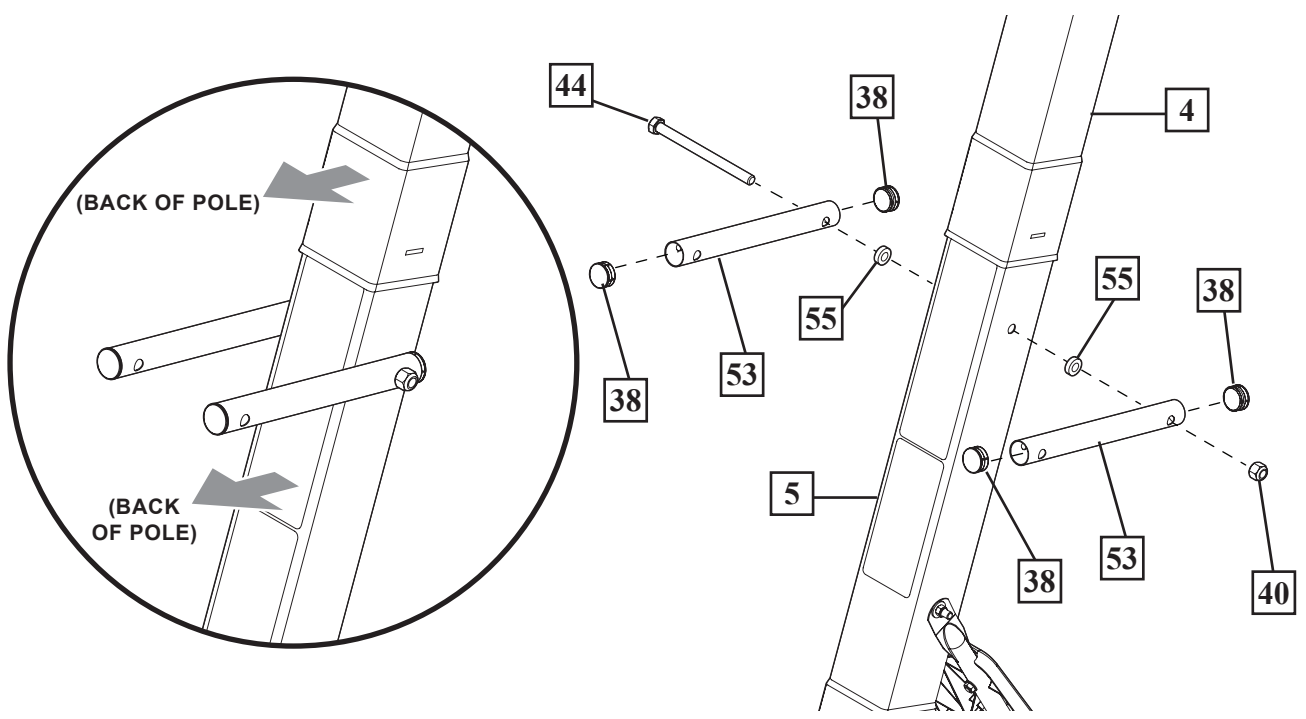
PARTS LIST - KIT #3

<u>Item</u>	<u>Qty.</u>	<u>Part No.</u>	<u>Description</u>	<u>Item</u>	<u>Qty.</u>	<u>Part No.</u>	<u>Description</u>
13	1	203099	Nut, Nylock, 5/16-18	44	2	201640	Bolt, Hex, 1/2-13 x 7.25" Long
16	2	203100	Nut, Hex Flange, 5/16-18	52	2	901508	Tube, Vertical Elevator, Gas Strut
18	1	202739	Bolt, Hex 5/16-18 x 1.75" Long	53	2	901527	Tube, Gas Strut, Handle Arms
27	1	108163	Pole Mount Bracket	54	1	702653	Gas Strut Assembly
28	2	204846	Bolt, Carriage, 5/16-18 x 4.5" Long	55	2	208251	Spacer, .50 ID x .98 OD x .125 Long
34	1	206989	Pole Reinforcement Bracket	56	1	801477	Cover, Spalding
37	2	208829	Plug, Tube, Snap In, 1", Black	59	1	600342	Handle, Gas Lift
38	4	208828	Plug, Tube, Snap In, 1.25", Black				
40	2	206340	Nut, Nylock, 1/2-13				

- 1.** Install pole mount bracket (27) and reinforcement bracket (34) with carriage bolts (28) in top pole (4) mounting holes as shown. Tighten flange nuts (16) completely.

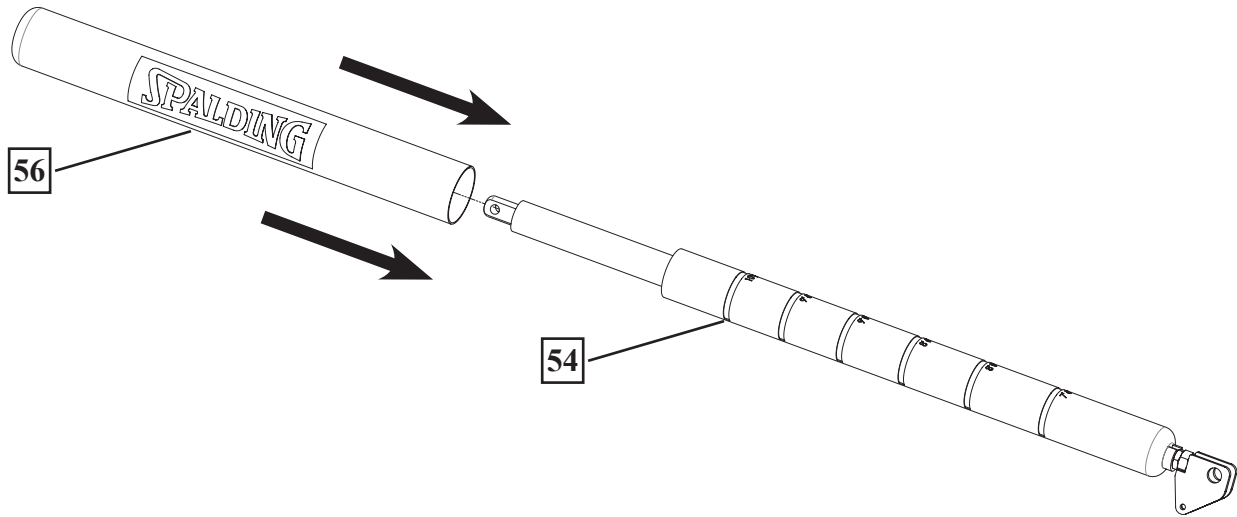


- 2.** Install gas strut handle arm tubes (53) to middle pole (5) using hex bolt (44) and nylock nut (40) as shown. Insert plugs (38) into tubes (53).



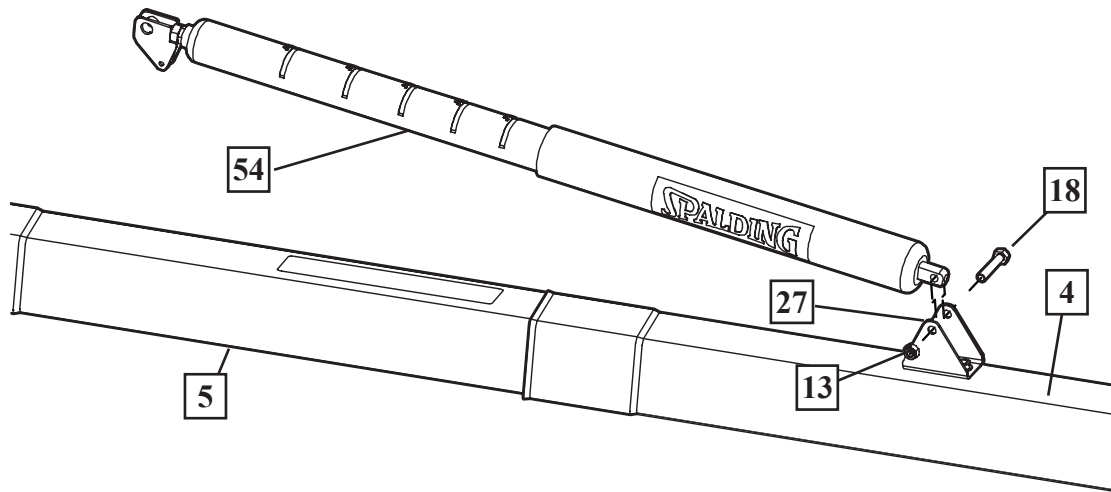
3.

Slide the top cover (56) over the Gas Strut Assembly (54) as shown below.



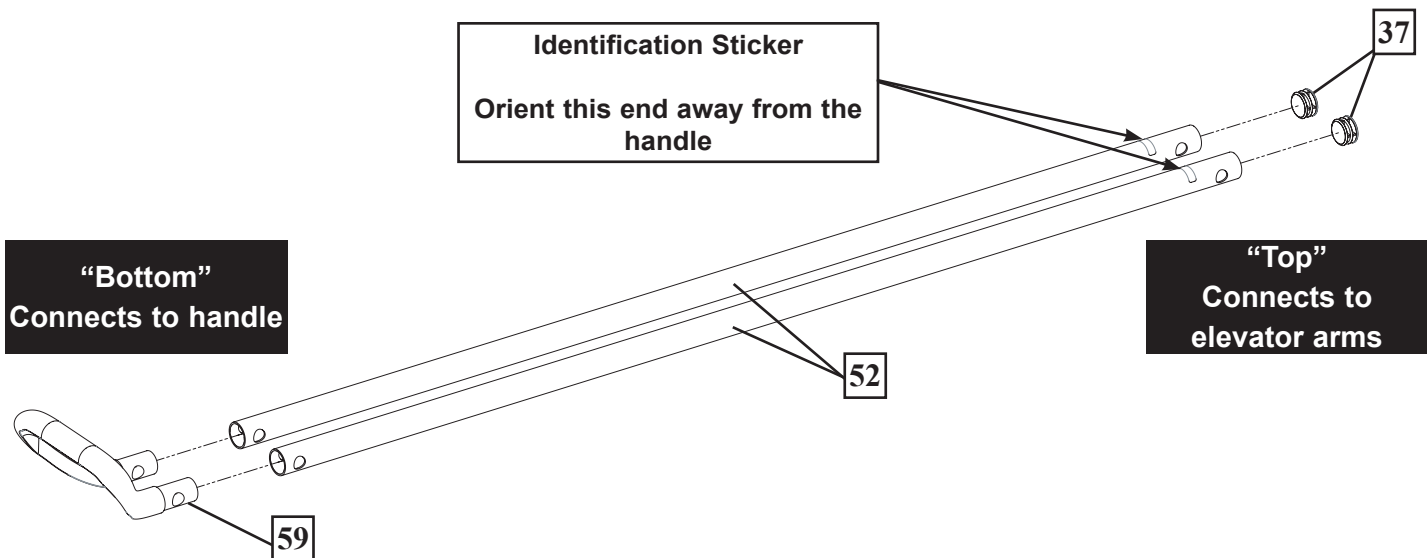
4.

Attach gas strut assembly (54) using bolt (18) and nut (13) to pole mount bracket (27) as shown.



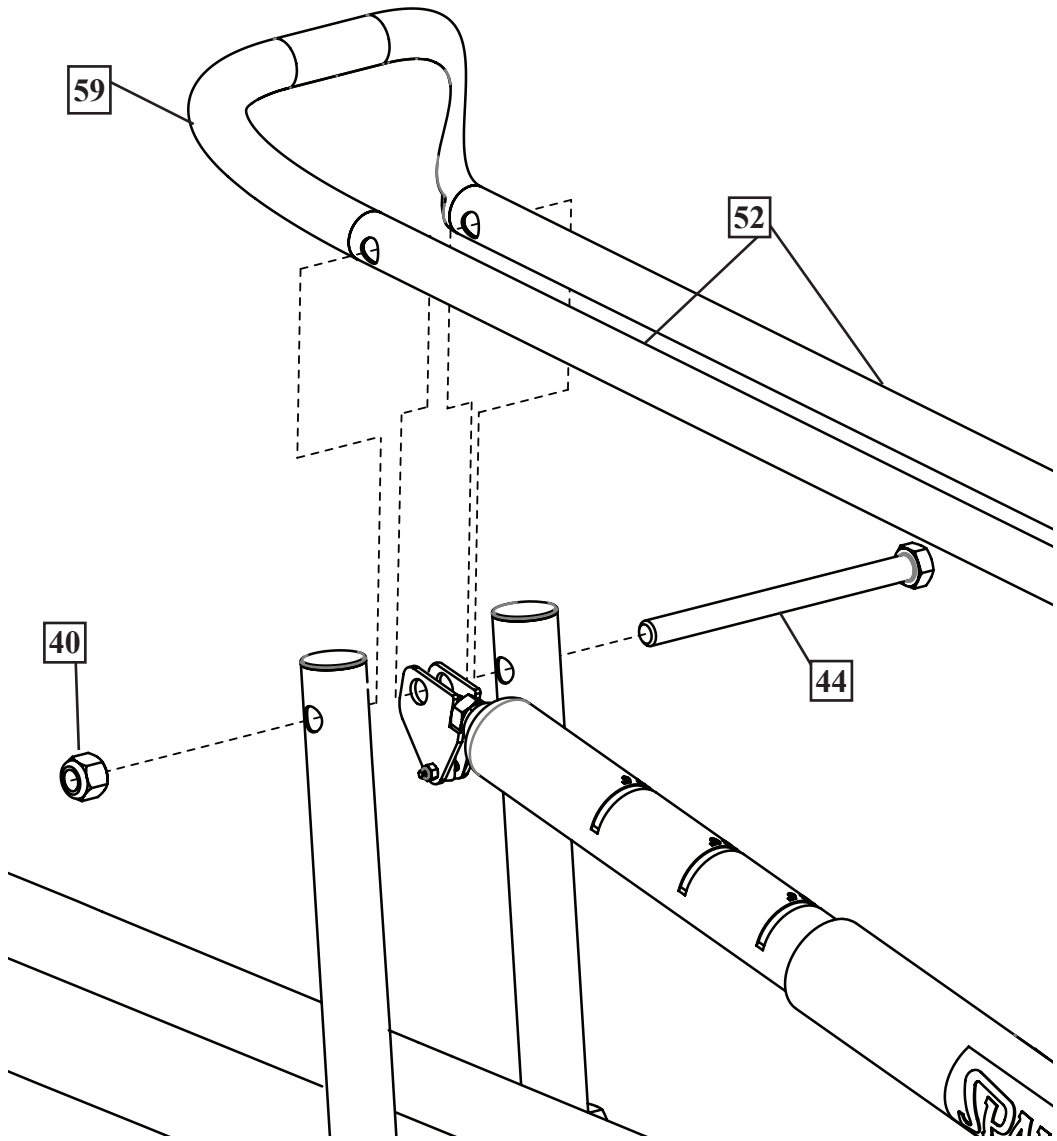
5.


Identify and orient the vertical connecting tubes (52) according to the identification stickers and assemble to the handle (59). Slide the bottom end of the tubes (52) over the handle (59) aligning the holes. Insert the caps (37) into the top of the tubes (52).

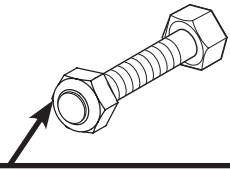


6.

Insert bolt (44) through handle arms (53), vertical tubes (52), and the gas strut assembly bracket as shown below. Secure using nut (40) as shown.



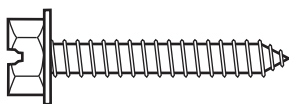
 **WARNING!**



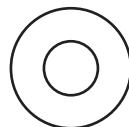
TIGHTEN BOLT (44) IN LOCK NUT (40) UNTIL FLUSH (EVEN) WITH LOCK NUT'S OUTER EDGE.



#51 (4)



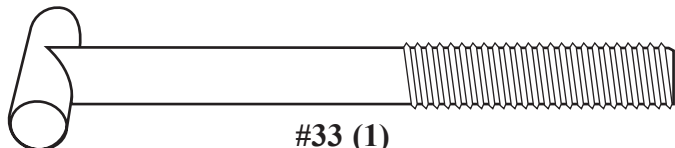
#65 (2)



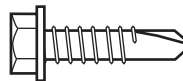
#66 (6)



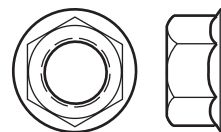
#49 (1)



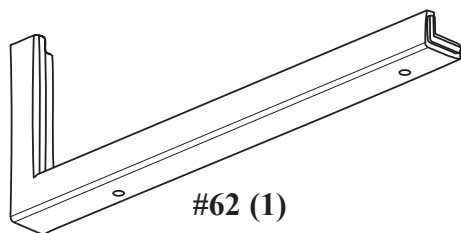
#33 (1)



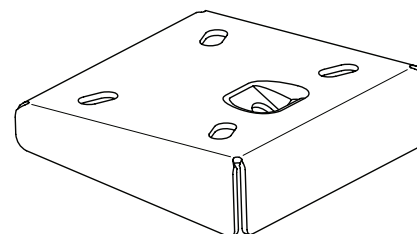
#67 (4)



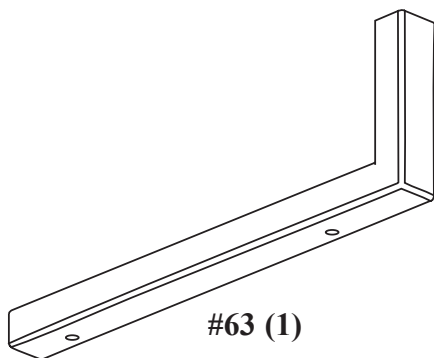
#16 (4)



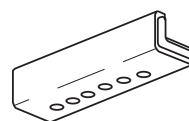
#62 (1)



#32 (1)



#63 (1)



#64 (1)

PARTS LIST - KIT #4

<u>Item</u>	<u>Qty.</u>	<u>Part No.</u>	<u>Description</u>
16	4	203100	Nut, Hex Flange, 5/16-18
32	1	900033	Bracket, Slam Jam
33	1	206048	T-Bolt, 3/8-16 x 3.25" Long
49	1	205355	Drill Bit, 11/64"
51	4	208892	Bolt, Hex Flange, 5/16-18 x 1.625" Long
62	1	20157801	Board Pad, Left Section
63	1	20157901	Board Pad, Right Section
64	1	201580	Board Pad, Center Section
65	2	201596	Screw, 1/4 x 1.25
66	6	206303	Washer, Flat, 1/4
67	4	202871	Screw, 1/4 x .75

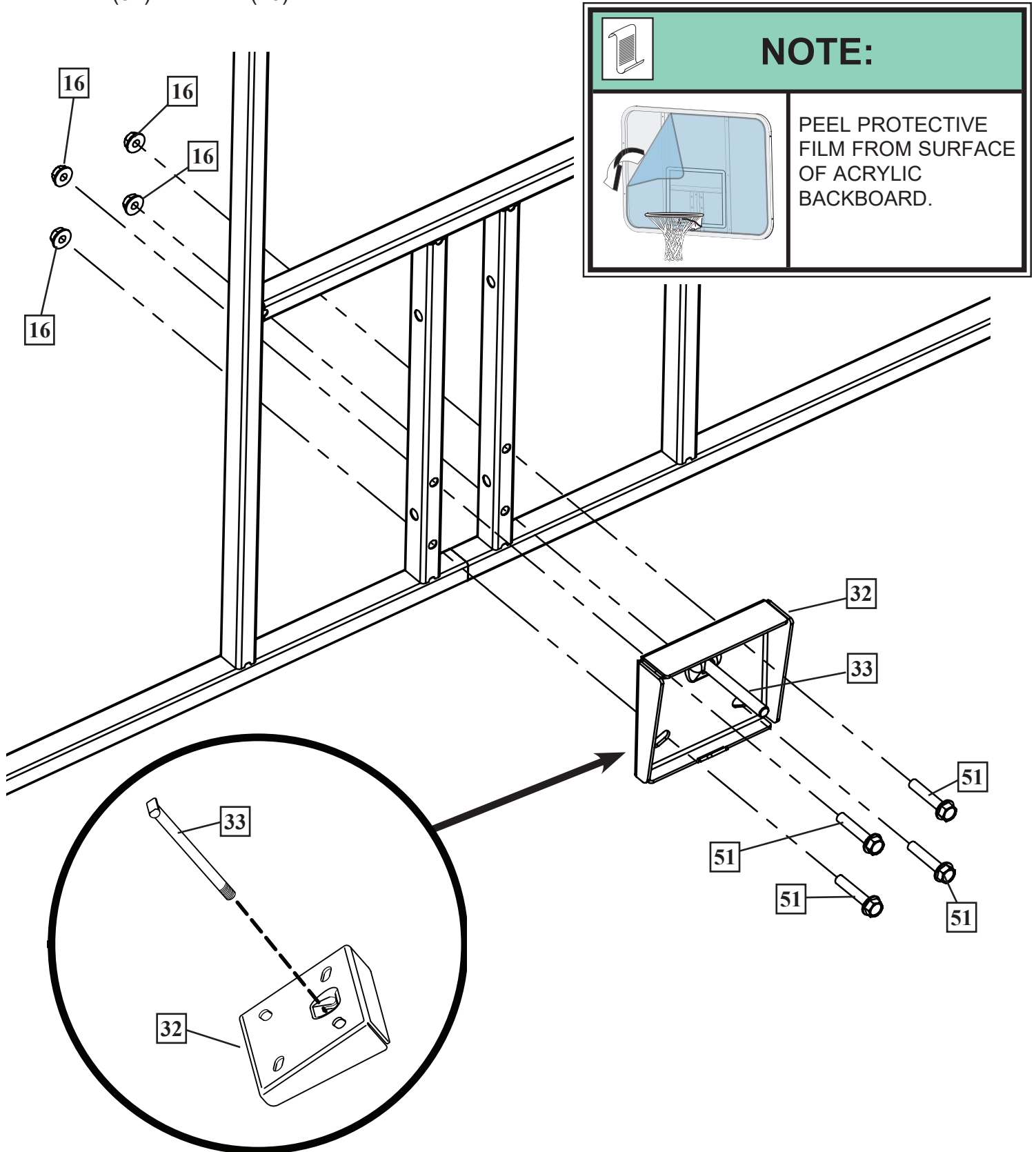
7.

Install Slam Jam Bracket to Backboard

Lay the board on saw horses or a support table.

Peel protective film prior to assembly from surface of acrylic backboard.

Insert T-bolt (33) into Slam Jam bracket (32) then, attach that assembly to board using bolts (51) and nuts (16).



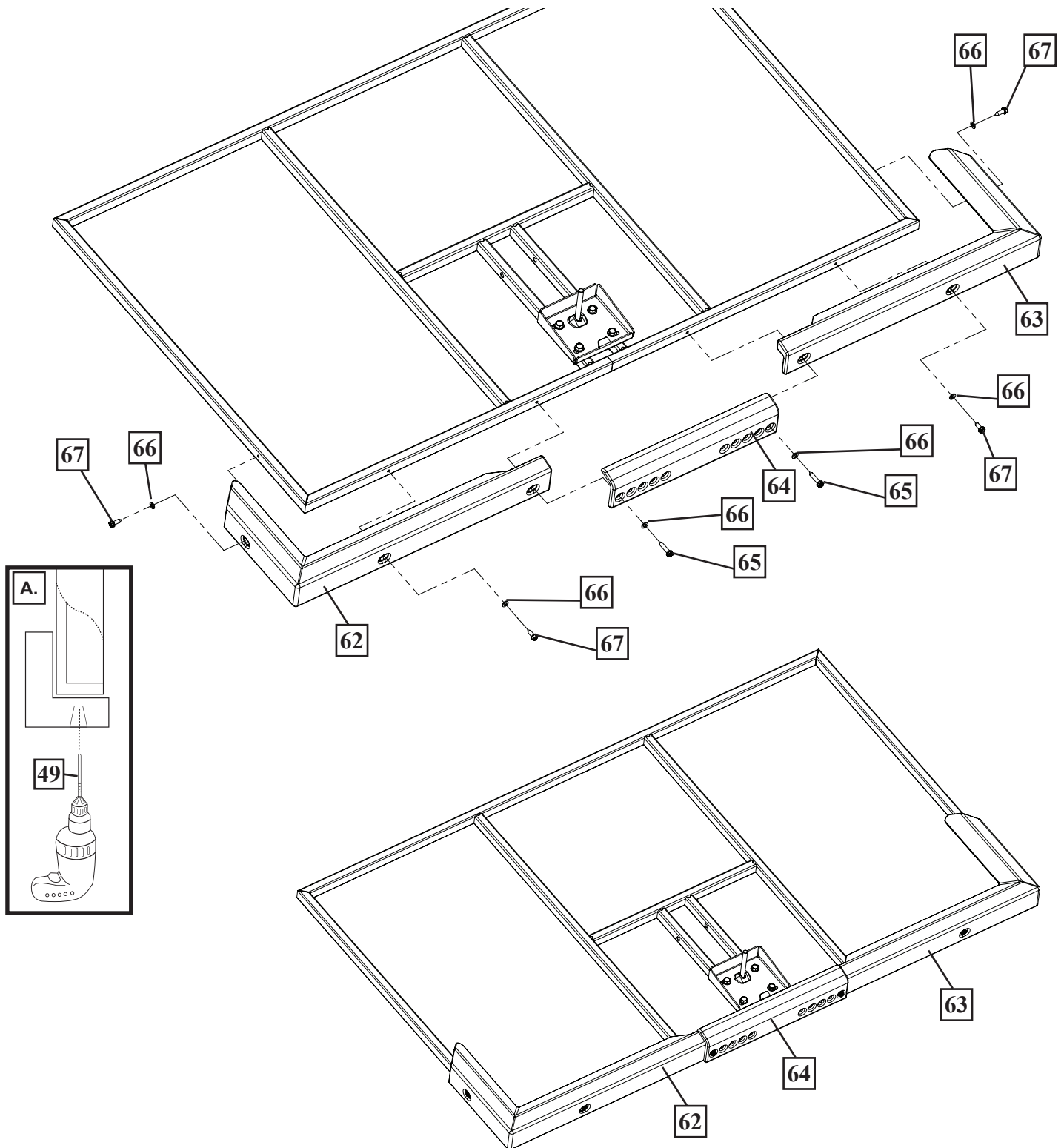
8.**Install Board Pads to Backboard**

With the board still on saw horses or a support table.

Attach left and right pad sections to board using screws and washers as shown.

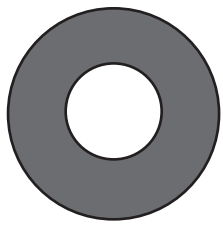
Using the holes which line up for your board size, attach center pad section to left and right sections and board using screws and washers as shown.

- It may be necessary to use an 11/64 drill bit (49) to pre-drill on some backboards (Figure A). A center punch is recommended to mark hole locations prior to drilling to keep drill bit from wandering.

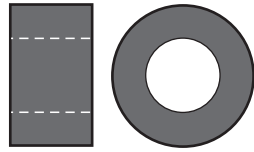


KIT #5 208871

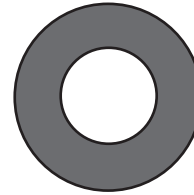
ATTACH BOARD - HARDWARE IDENTIFIER KIT #5



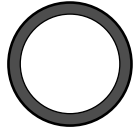
#14 (4)



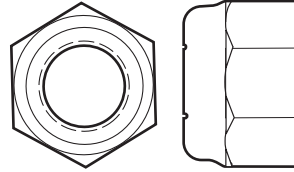
#20 (2)



#55 (4)



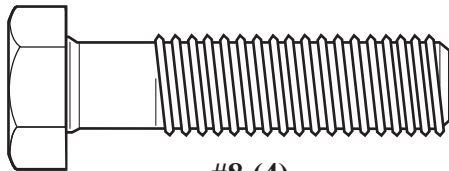
#29 (1)



#40 (7)



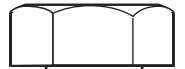
#58 (1)



#8 (4)

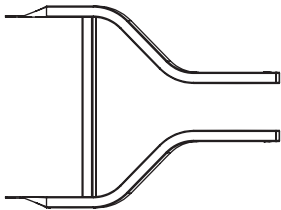


#57 (1)

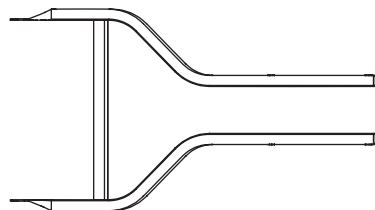


#43 (3)

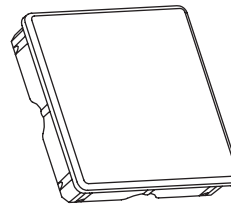
Items not included in kit, found in hardware box.



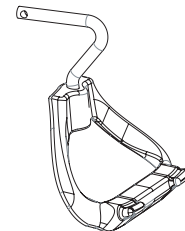
#42 (1)



#41 (1)



#22 (1)

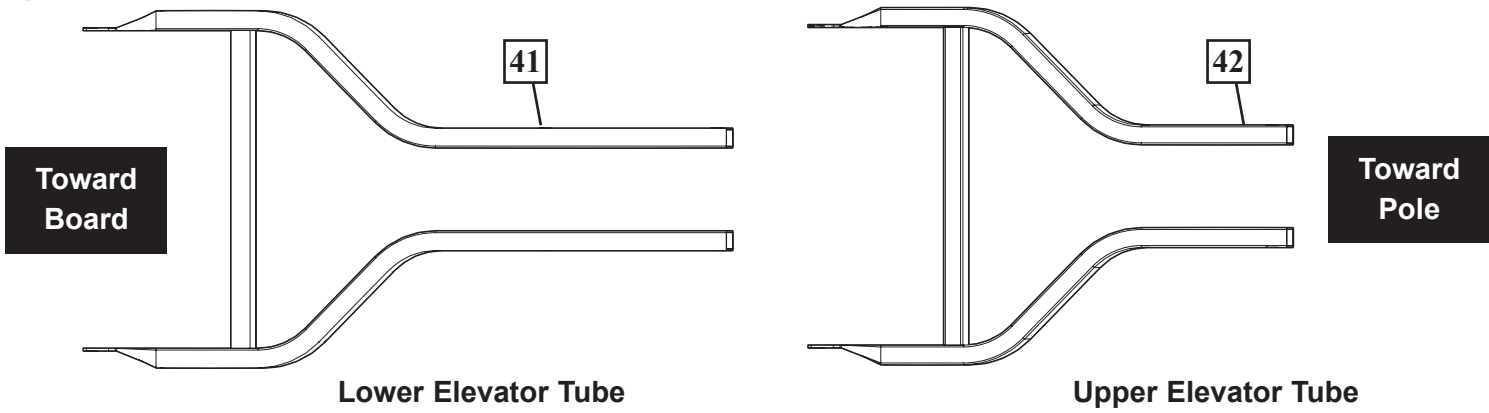


#60 (1)

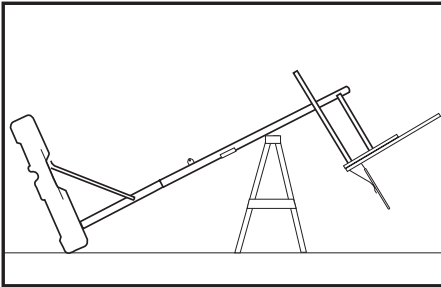
PARTS LIST - KIT #5

<u>Item</u>	<u>Qty.</u>	<u>Part No.</u>	<u>Description</u>	<u>Item</u>	<u>Qty.</u>	<u>Part No.</u>	<u>Description</u>
8	4	206665	Bolt, Hex Head, 1/2-13 x 2 Long	42	1	901645	Elevator Arm, Upper - Black
14	4	201651	Spacer, 0.5 ID x .25 Long	43	3	205678	Bolt, Hex 1/2-13 x 7" Long
20	2	205082	Spacer, .530 ID x .38" Long	55	4	208251	Spacer, .50 ID x .98 OD x .125 Long
22	1	600052	Cap, Pole Top	57	1	204007	Nut, Nylock, M4 x 0.7
29	1	201683	Spacer, .530 ID x 1.50 Long	58	1	208762	Bolt, Hex, M4 x 0.7 x 25mm Long
40	7	206340	Nut, Nylock 1/2-13	60	1	600343	Trigger, Elevator
41	1	901649	Elevator Arm, Lower - Black				

9. Identify elevator tubes (41 and 42).



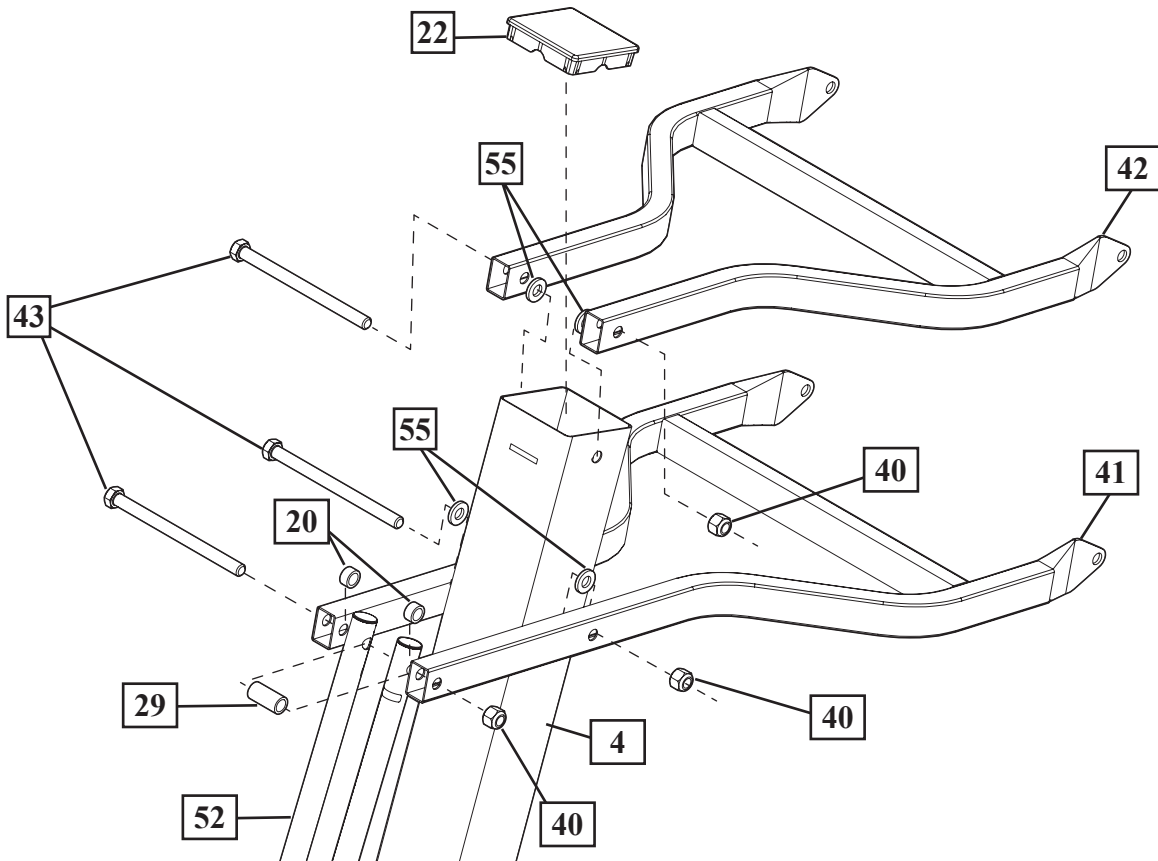
10. Support pole on sawhorse. Attach upper and lower elevator tubes (41 and 42) to upper pole section (4) using bolts (43), spacers (20), and nuts (40) as shown. Attach lower elevator tubes (41) to gas strut vertical elevator tubes (52) using bolt (43), spacers (68), and nut (40) as shown. Attach pole cap (22) as shown. Securely tighten all bolts in this step.



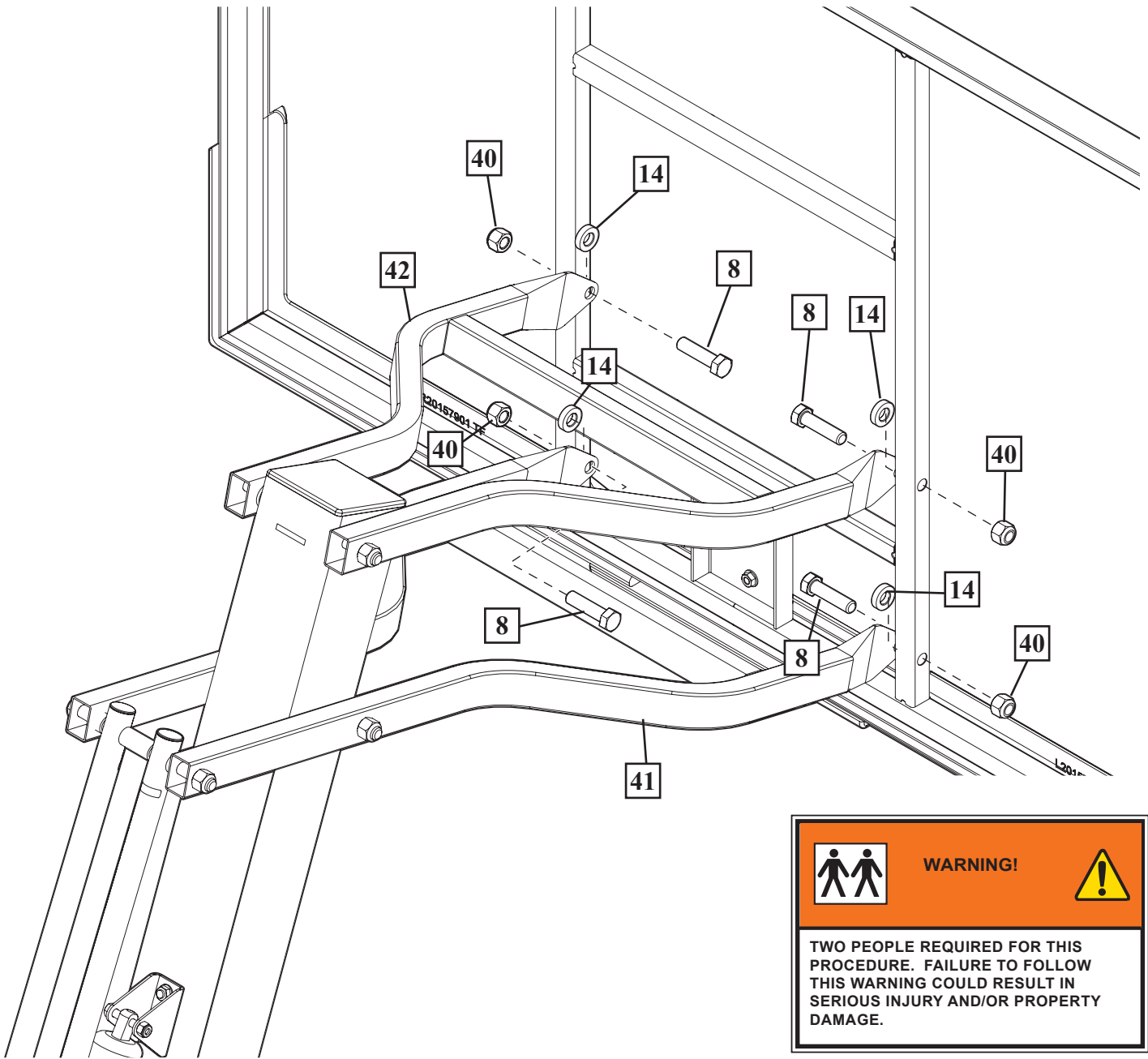
WARNING!



TWO PEOPLE REQUIRED FOR THIS PROCEDURE. FAILURE TO FOLLOW THIS WARNING COULD RESULT IN SERIOUS INJURY AND/OR PROPERTY DAMAGE.



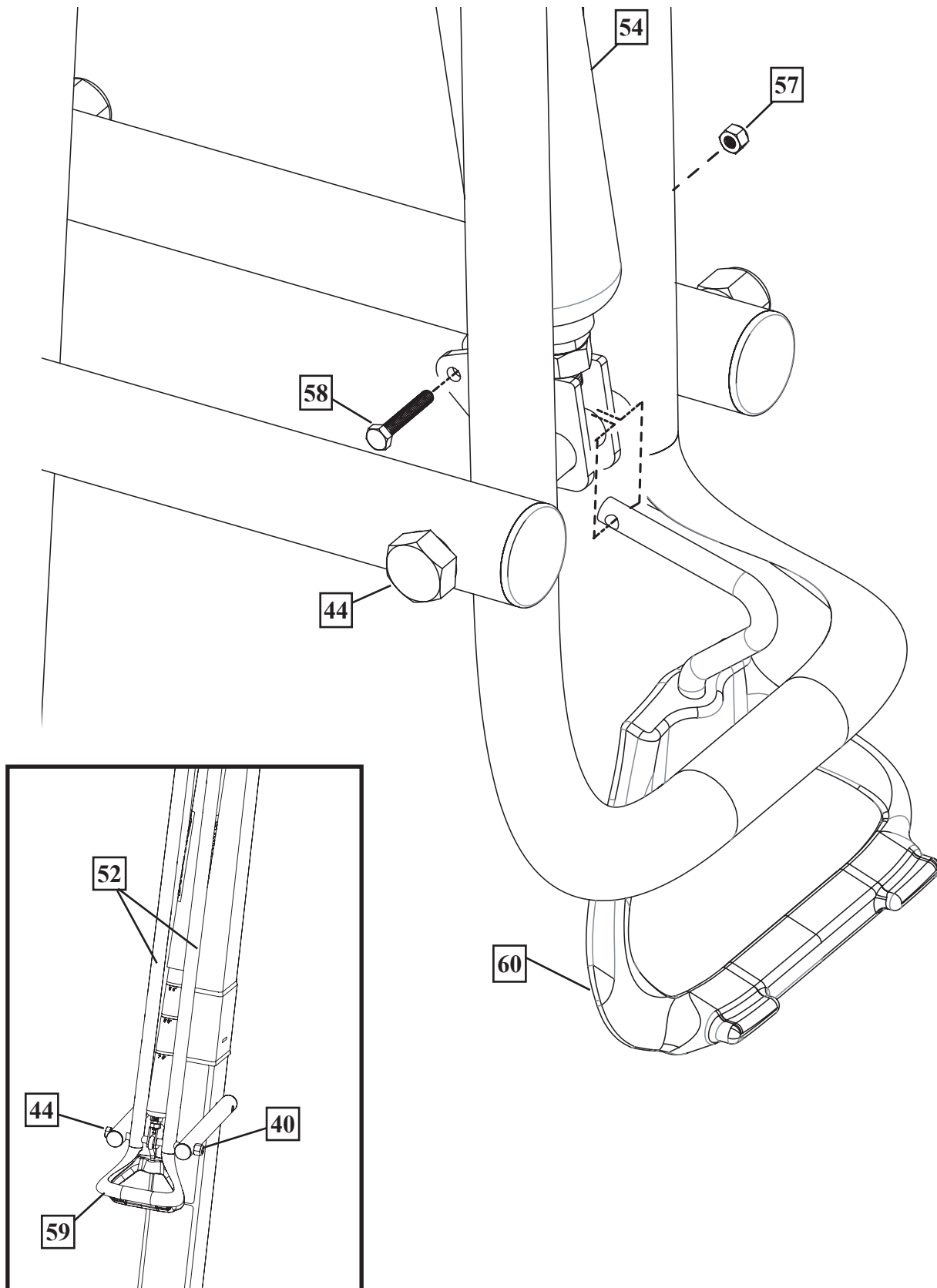
11. Noting orientation attach lower and upper elevator tubes (41 and 42) to backboard using spacers (14) bolts (8) and nuts (9) as shown. Securely tighten all bolts in this step.

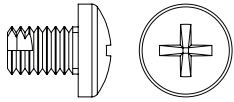


WARNING!
DO NOT LEAVE ASSEMBLY UNATTENDED WHEN EMPTY; IT MAY TIP OVER.

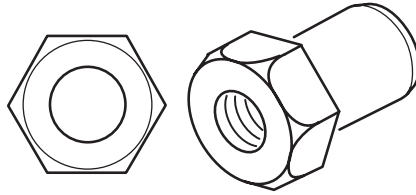
12.

Fasten the Trigger (60) to the Gas Strut Assembly (54) by using the bolt (58) and nut (57). NOTE: THE TRIGGER WILL BE BETWEEN THE PLATES OF THE BRACKET AND ABOVE THE BOLT (43). SQUEEZING THE TRIGGER WILL ALLOW THE RIM HEIGHT TO BE ADJUSTED.

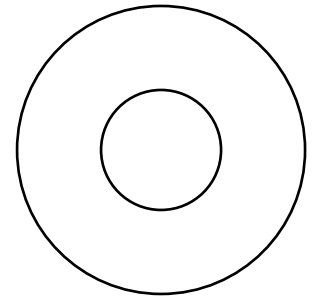




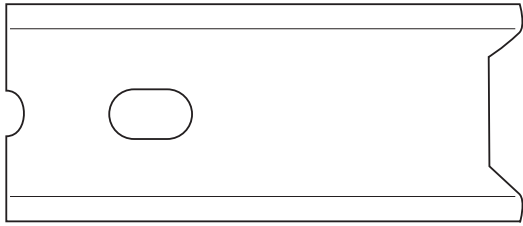
#48 (2)



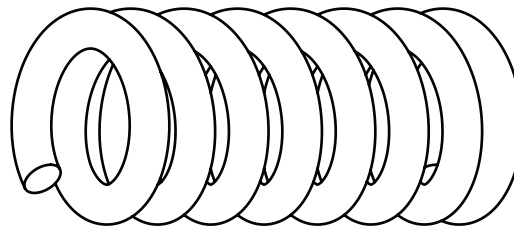
#36 (1)



#35 (1)

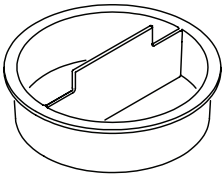


#31 (1)

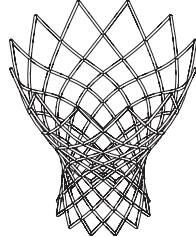


#30 (1)

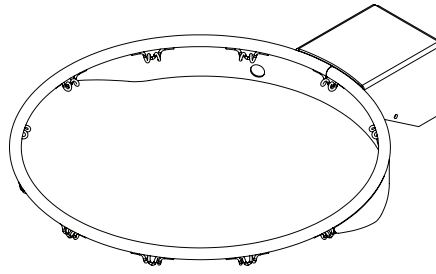
Items not included in kit, found in hardware box.



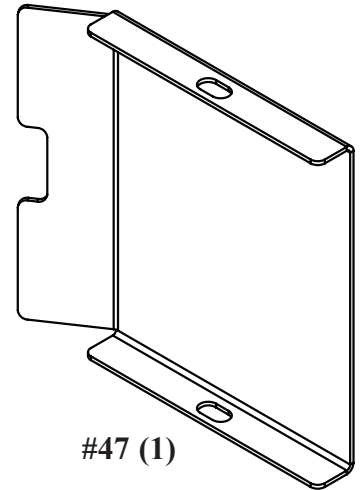
#24 (1)



#26 (1)



#25 (1)



#47 (1)

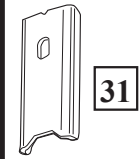
PARTS LIST - KIT #6

<u>Item</u>	<u>Qty.</u>	<u>Part No.</u>	<u>Description</u>
24	1	203617	Cap, Base
25	1		Rim
26	1		Net
30	1	208760	Spring, Black, Slam Jam
31	1	200318	Bracket, Reinforcement, Slam Jam
35	1	203470	Washer, Flat, Slam Jam
36	1	203795	Nut Special
47	1	908355	Cover Plate, Rim
48	2	204558	Screw, 1/4 x .375" Long

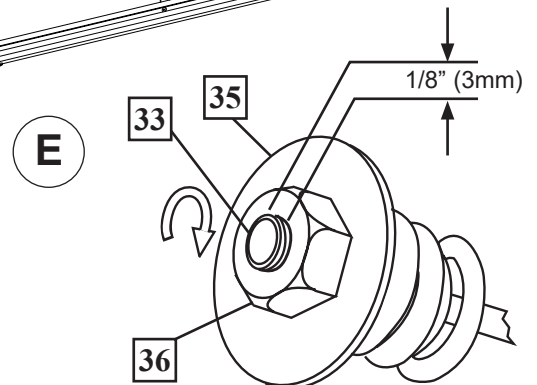
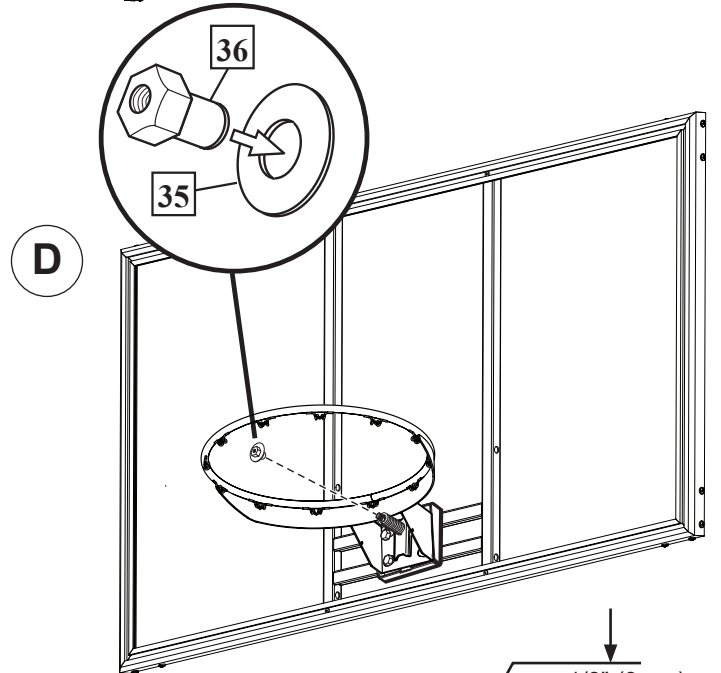
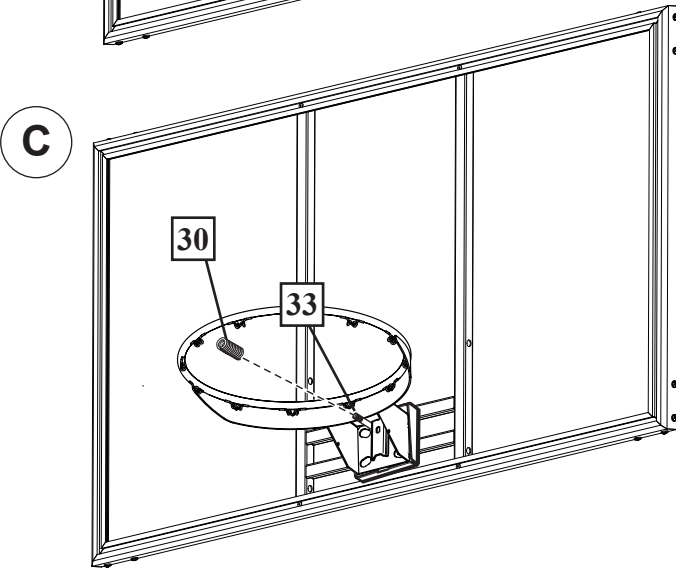
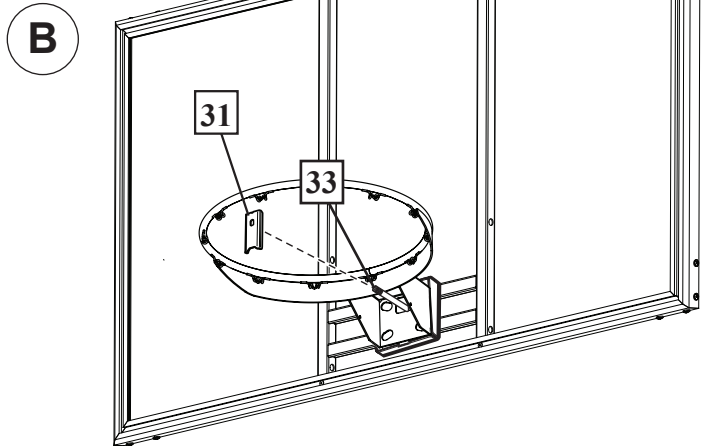
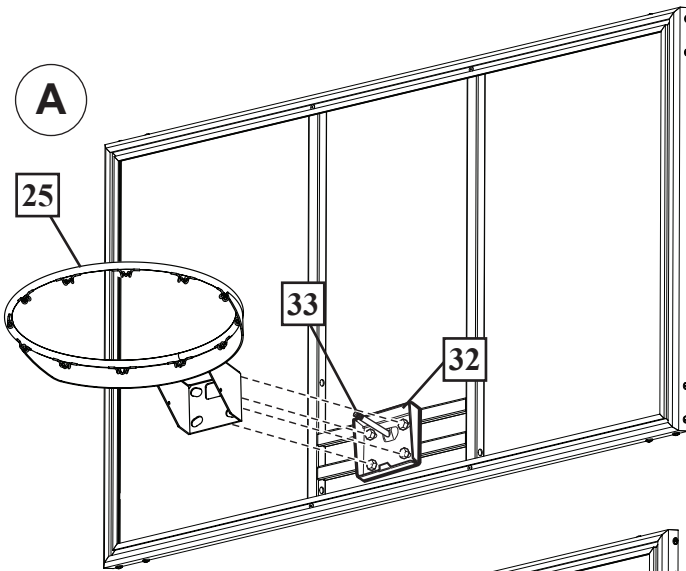
Install Slam Jam Rim to Backboard

- 13.**
- A. Fit rim (25) securely into bracket (32) as shown. Allow T-bolt (33) to slip through center hole in rim (25).
 - B. Install reinforcement bracket (31) onto T-bolt (33) as shown.
 - C. Install spring (30) onto T-bolt (33) as shown.
 - D. Install special nut (36) and washer (35) onto T-bolt (33).
 - E. Tighten nut (36) until 1/8" of the bolt threads on end of T-bolt (33) are exposed.

NOTE:

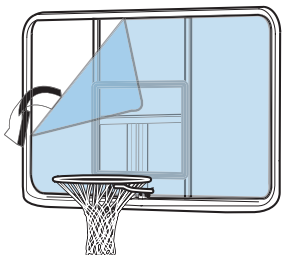


**ORIENTATION
OF BRACKET**



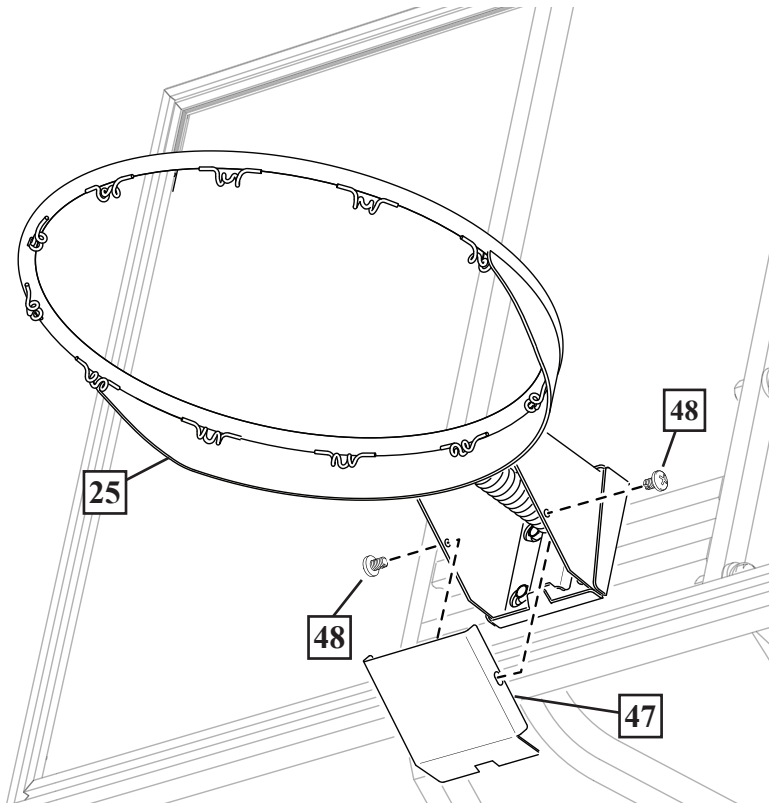
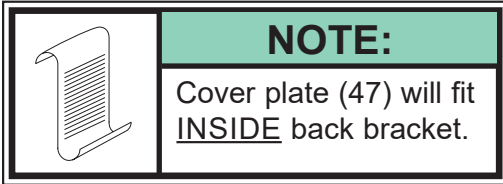
NOTE:

Peel protective film from surface of acrylic or polycarbonate backboard prior to use.



RIM COVER ATTACHMENT

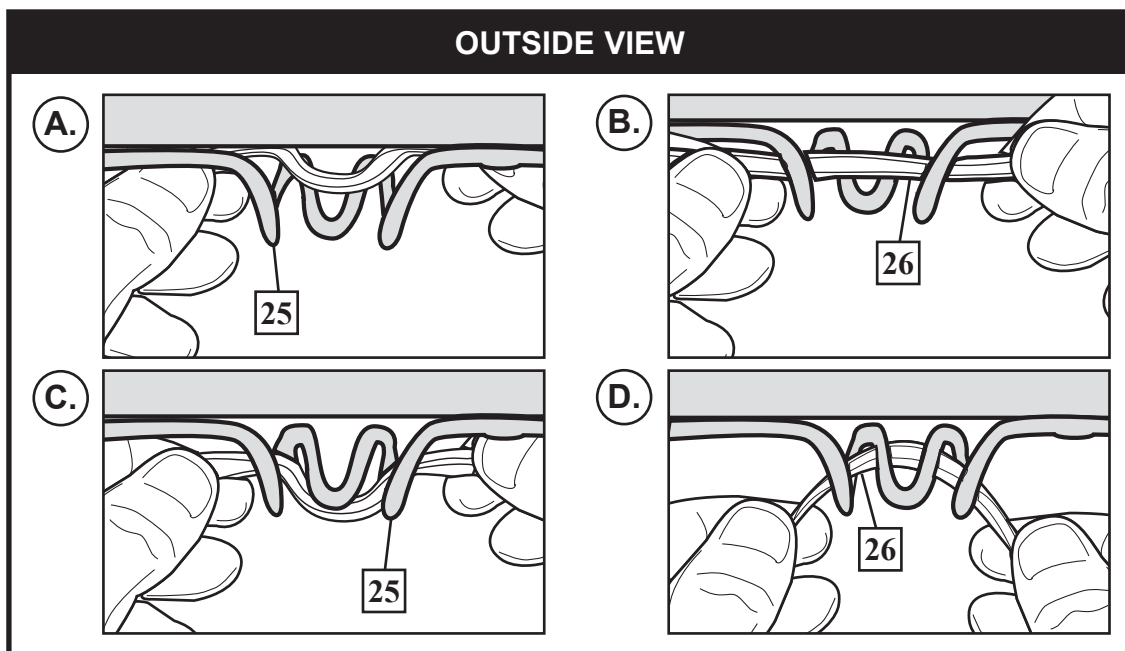
14. Install cover (47) over spring return mechanism using screws (48) as shown.



NET INSTALLATION

15. Install net (26) onto rim (25).

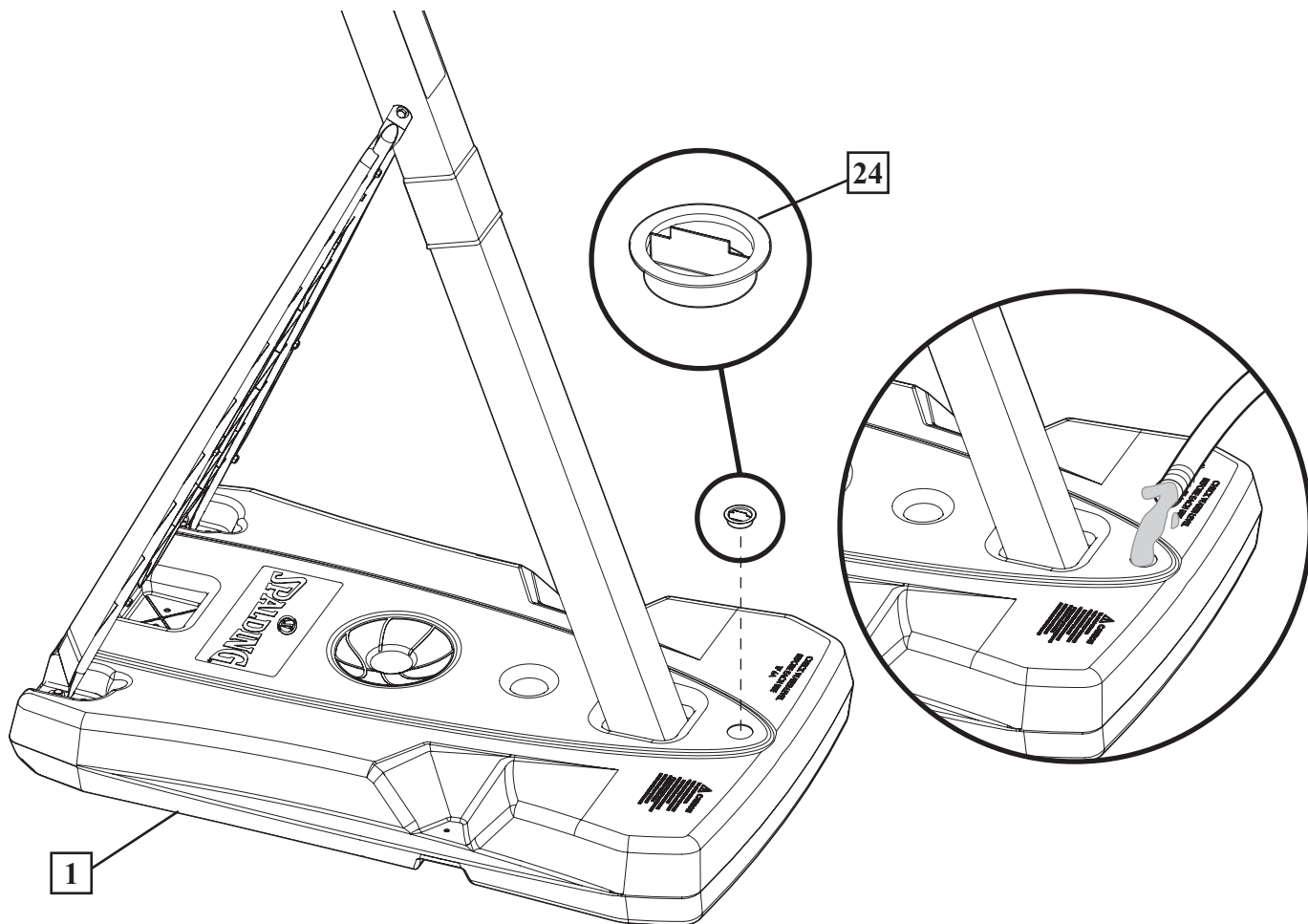
OUTSIDE VIEW



16.

Instructions for filling with water:

Roll completed assembly to desired position. Fill base (1) with water (approx. 34 gallons / 129 Liters) and push in cap (24) securely.



WARNING!



DO NOT LEAVE ASSEMBLY UNATTENDED WHEN EMPTY; IT MAY TIP OVER. TWO CAPABLE ADULTS REQUIRED FOR THIS PROCEDURE. FAILURE TO FOLLOW THIS WARNING COULD RESULT IN SERIOUS INJURY AND/OR PROPERTY DAMAGE.



CAUTION!

ADD AT LEAST TWO GALLONS (7.6 LITERS) OF NON-TOXIC ANTIFREEZE IN SUB-FREEZING CLIMATES. Check water level BEFORE each use!

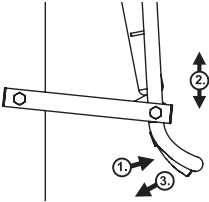
17. Apply the height adjustment and moving label (21) to the front of the pole as shown.

21

HEIGHT ADJUSTMENT

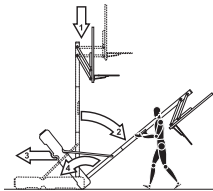
TO ADJUST BACKBOARD:

1. Grasp handle and squeeze trigger.
2. Raise or lower to desired height.
3. Release trigger.



MOVING SYSTEM

1. Adjust basketball backboard height to lowest position.
2. While holding pole, rotate basketball system forward until wheels engage with ground.
3. Move basketball system to desired location.
4. Carefully rotate basketball system upright.
5. Check system for stability.

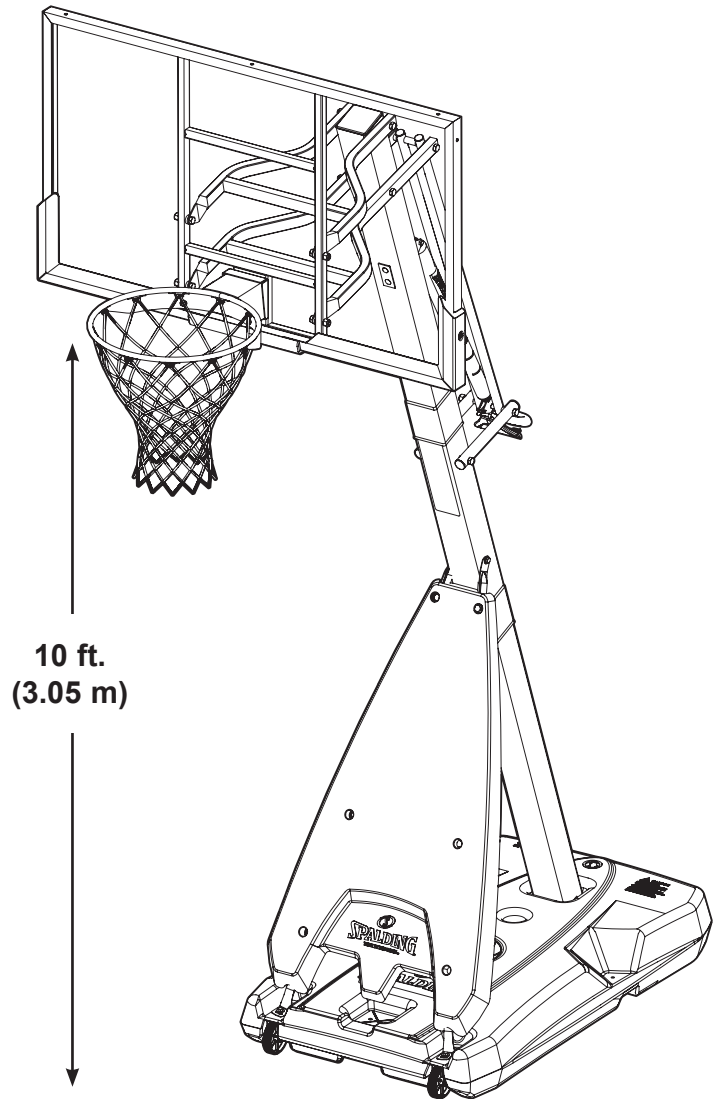


500065 06/19



WARNING!

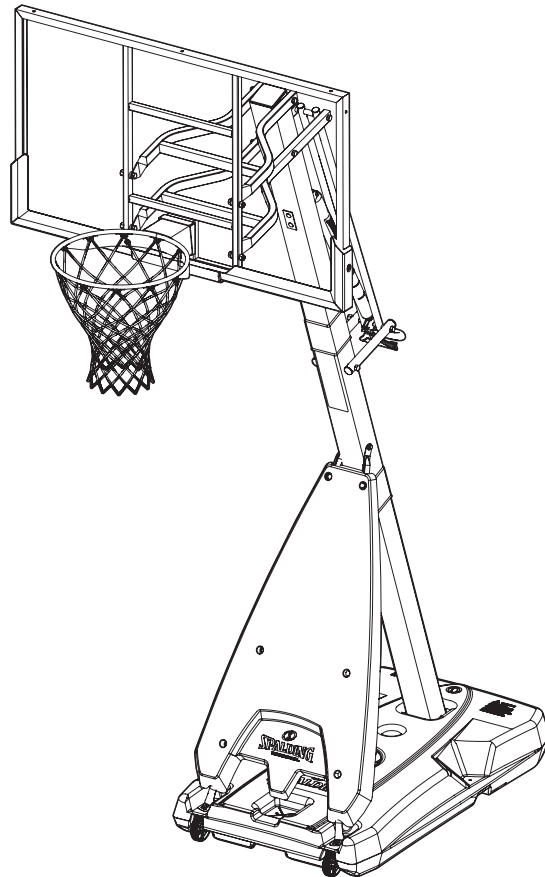
DO NOT ALLOW CHILDREN TO ADJUST HEIGHT.





Español

Sistema Portátil de Baloncesto Manual del Propietario



Escriba aquí el número de modelo que viene en la caja:

	⚠ ¡ADVERTENCIA!
	LEA Y COMPRENDA EL MANUAL DEL OPERADOR ANTES DE USAR ESTA UNIDAD. EL INCUMPLIMIENTO DE LAS INSTRUCCIONES DE OPERACIÓN PODRÍA OCASIONAR LESIONES O DAÑOS MATERIALES.

Debe conservar este manual junto con el recibo de la compra y tenerlo disponible como una referencia conveniente, ya que contiene información importante sobre su modelo.

Teléfono gratuito de Servicio al Cliente para Estados Unidos: **1-800-558-5234**,
para Canadá: **1-800-284-8339**,
para Europa: **+353 51 379777**,
para Australia: **1-300-367-582**

¡IMPORTANTE!



¿Tiene preguntas o le faltan piezas?

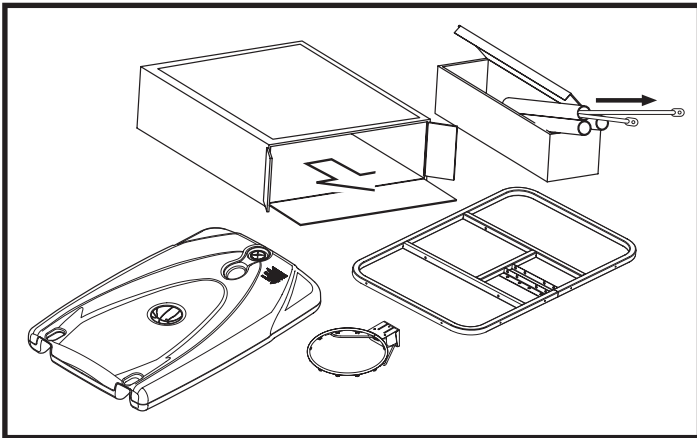
¡NO regrese a la tienda!



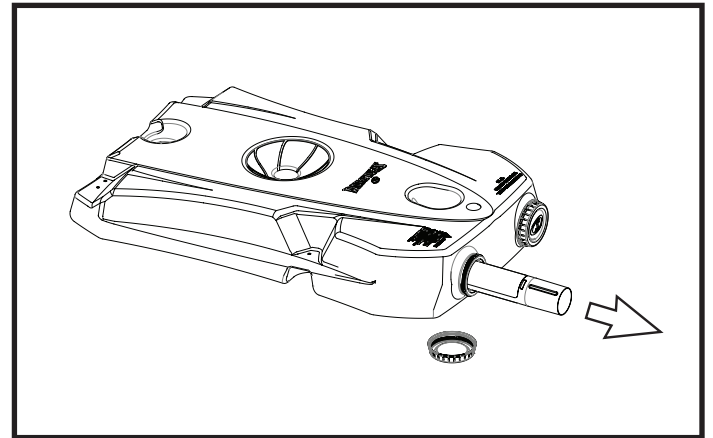
¡Llame al número de atención al cliente
GRATUITO que figura en la primera página!

ANTES DE EMPEZAR ¡SAQUE TODO EL CONTENIDO!

Saque **TODO** el contenido de las cajas.
Asegúrese de revisar que en el **INTERIOR** se incluyen las secciones de los postes,
los herrajes y las piezas adicionales.



O



⚠ AVISO A LAS PERSONAS QUE REALIZAN EL MONTAJE ⚠

Se requiere que el montaje sea llevado a cabo por adultos

Deseche de inmediato TODOS los materiales de embalaje.

Como con cualquier otro producto, inspeccione periódicamente si hay piezas pequeñas sueltas.

La unidad ensamblada DEBE estar llena de arena o agua EN TODO momento.

TODOS los sistemas de baloncesto, incluidos aquellos utilizados para EXHIBICIONES, DEBEN ser ensamblados e instalados según las instrucciones.

El incumplimiento de las instrucciones puede resultar en LESIONES GRAVES.

NO es aceptable emplear un sistema de apoyo improvisado.

Correo electrónico: warrantyservice@custserv.fotlinc.com

Spalding
PO Box 90015
Bowling Green, KY 42102



Basketball System Warranty

For the very latest Basketball System Warranty information
Please visit the Spalding Basketball website at www.Spalding.com

Contact Spalding Customer Service at phone # 1-800-558-5234

Système de basket-ball Garantie

Pour les toutes dernières informations de garantie sur le système de basket-ball,
visitez le site Web de Spalding Basketball à www.Spalding.com

Contactez le Service clientèle Spalding au 1-800-558-5234

Basketball-System Garantie

Die neuesten Basketball System-Garantieinformationen Besuchen Sie bitte die
Spalding Basketball-Website unter www.Spalding.com

Sie erreichen den Spalding-Kundendienst unter Telefon # 1-800-558-5234

Sistema de Baloncesto Garantía

Para obtener la última información sobre la garantía del Sistema de Baloncesto
Visite el sitio web de Spalding Basketball en www.Spalding.com

Póngase en contacto con el servicio al cliente de Spalding llamando al teléfono 1-800-558-5234

HERRAMIENTAS Y MATERIALES NECESARIOS:



• 2 adultos capaces



• Cinta métrica



• Tabla de madera (de desecho)



• Caballete o mesa de apoyo



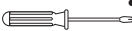
• Martillo



• Gafas de seguridad

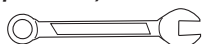


• Escalera de mano de 8 pies (2,4 m)



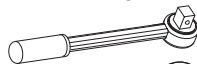
• Destornillador Phillips

• (2 de cada una) Llaves y/o carracas y llaves de vaso (se recomiendan llaves de vaso de pozo profundo).



7 mm 1/2" 9/16" 3/4"

Y/O

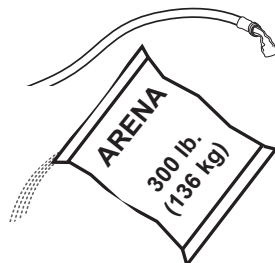


7 mm 1/2" 9/16" 3/4"

• Se recomienda una extensión.

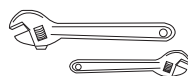


• Manguera de jardín o arena



HERRAMIENTAS Y MATERIALES OPCIONALES:

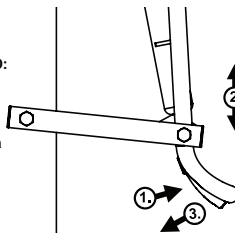
• Llaves ajustables grandes y pequeñas



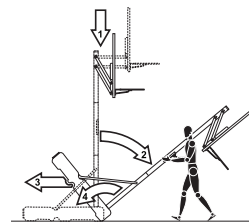
AJUSTE DE LA ALTURA

PARA AJUSTAR EL TABLERO:

1. Agarre la manija y presione el gatillo.
2. Suba o baje el tablero hasta alcanzar la altura deseada.
3. Suelte el gatillo.



MOVIMIENTO DEL SISTEMA



1. Ajuste la altura del tablero de baloncesto hasta la posición más baja.
2. Mientras sujeta el poste, gire el sistema de baloncesto hacia adelante hasta que las ruedas toquen el suelo.
3. Mueva el sistema de baloncesto hasta la ubicación deseada.
4. Con cuidado, vuelva a poner el sistema de baloncesto en posición vertical.
5. Compruebe que el sistema está estable.

SP500065 06/19



ADVERTENCIA

Lea y entienda las advertencias que se encuentran a continuación antes de usar este producto.

Si no se observan estas advertencias se podrían causar lesiones graves y/o daños materiales.

El propietario debe asegurarse de que todos los jugadores conozcan y obedezcan estas reglas para la operación segura del

- NO SE CUELQUE del borde ni de ninguna parte del sistema, inclusive el respaldo, las abrazaderas de apoyo y la red.
- Durante el juego, especialmente cuando se realizan actividades de tipo clavada (dunk), el jugador debe mantener la cara alejada del respaldo, el borde y la red. Si los dientes o la cara entran en contacto con el respaldo, el borde o la red, se puede sufrir una lesión grave.
- No se deslice, suba, sacuda ni juegue en la base y/o en poste.
- Cuando complete el montaje, llene completamente el sistema con agua o arena. Nunca deje el sistema en posición vertical sin llenar la base con un peso, ya que el sistema se podría caer y causar lesiones.
- Al ajustar la altura o mover el sistema mantenga las manos y los dedos alejados de las partes móviles.
- No permita que los niños muevan o ajusten el sistema.
- Durante el juego, no use joyería (anillos, relojes, collares, etc.). Estos objetos se podrían atorar en la red.
- La superficie debajo de la base se debe mantener lisa y sin grava ni otros objetos filosos. Las perforaciones pueden causar fugas y provocar que el sistema se caiga.
- Mantenga los materiales orgánicos alejados de la base del poste. El césped, la basura, etc. podrían causar corrosión y/o deterioro de la base del poste.
- Revise que el sistema del poste no tenga señales de corrosión (oxidación, picaduras, desconchaduras) y si las tiene vuelva a pintarlas con pintura de esmalte para exteriores. Si la corrosión penetró a través del acero en cualquier área, reemplace inmediatamente el poste.
- Antes de cada uso revise el sistema para verificar que esté adecuadamente equilibrado, que no tenga herraje suelto, desgaste excesivo ni signos de corrosión, y repárelo si es necesario.
- Verifique la estabilidad del sistema antes de cada uso.
- NO use el sistema durante condiciones climáticas severas y/o con mucho viento, ya que el sistema se podría caer. Coloque el sistema en posición de almacenamiento y/o en un área protegida del viento y sin propiedad personal y/o cables suspendidos.
- Nunca juegue en equipo dañado.
- Cuando mueva el sistema, tenga cuidado para evitar que el mecanismo cambie de lugar.
- Siempre mantenga la parte superior del poste cubierta con la tapa.
- No permita que el agua del tanque se congele. En clima con temperaturas de congelamiento añada dos galones de anticongelante no tóxico, arena, o vacíe completamente el tanque y almacénelo. (No use sal.)
- Al mover el sistema no permita que nadie se pare o sienta en la base o añada lastre adicional en la base.
- No deje el sistema sin supervisión ni juegue en el sistema cuando las ruedas estén embragadas para rodar.
- Tenga cuidado al mover el sistema sobre superficies irregulares. El sistema se podría ladear.
- Use extremado cuidado si va a colocar el sistema en una superficie inclinada. El sistema se podría caer más fácilmente.
- Consulte el manual de instrucciones para ver la instalación y el mantenimiento adecuados.

SPALDING
En EE.UU.: 1-800-772-5346
En Canadá: 1-800-284-8339
En Australia: 1-300-367-562

SURE SHOT
En EE.UU.: 1-800-772-5346

RUSSELL

Las marcas registradas registraron en EEUU y otros países.
N.P.: 55679001SP 01/12

HYDRA-RIB

En EE.UU.: 1-800-334-9111

HUFFY SPORTS
En EE.UU.: 1-800-772-5346
En Canadá: 1-800-284-8339

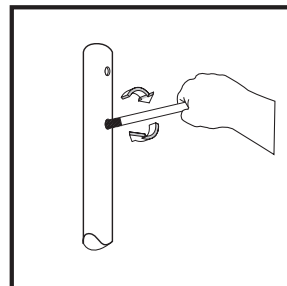
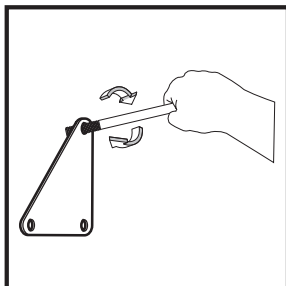
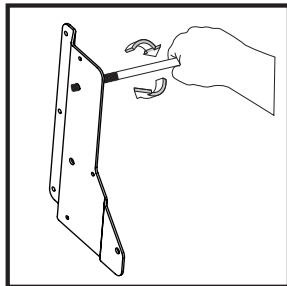
COMPRUEBE EL AJUSTE DE LOS PERNOS DE TOLERANCIA ESTRECHA

Para garantizar que el sistema del tablero ofrece una calidad de juego óptima, se requiere una estrecha tolerancia del ajuste entre los componentes del elevador y los herrajes.

Compruebe el ajuste de los pernos grandes en los orificios grandes de los tubos del elevador, los soportes del tablero y las placas triangulares.

Si fuese necesario, con cuidado, muévalos con movimientos circulares para extraer el exceso de pintura de los agujeros.

NOTA: No todos los artículos ilustrados están incluidos con cada modelo.



INSTRUCCIONES DE SEGURIDAD



EL INCUMPLIMIENTO DE ESTAS INSTRUCCIONES PUEDE RESULTAR EN LESIONES GRAVES O DAÑOS MATERIALES Y ANULARÁ LA GARANTÍA.

Para que la operación del sistema sea segura, el propietario debe asegurarse de que todos los jugadores conozcan y sigan estas reglas.

Para garantizar la seguridad, no intente ensamblar este sistema sin seguir las instrucciones cuidadosamente. Revise toda la caja y el interior de todo el material de embalaje de las piezas y/o cualquier material de instrucciones adicional. Antes de comenzar el montaje, lea las instrucciones e identifique las piezas utilizando el identificador de los herrajes y la lista de piezas en este documento. Es esencial el montaje completo, y el uso y la supervisión adecuados para el funcionamiento correcto del sistema y para reducir el riesgo de accidentes o lesiones. Existe una alta probabilidad de lesiones graves si este sistema no se instala, mantiene y funciona adecuadamente.

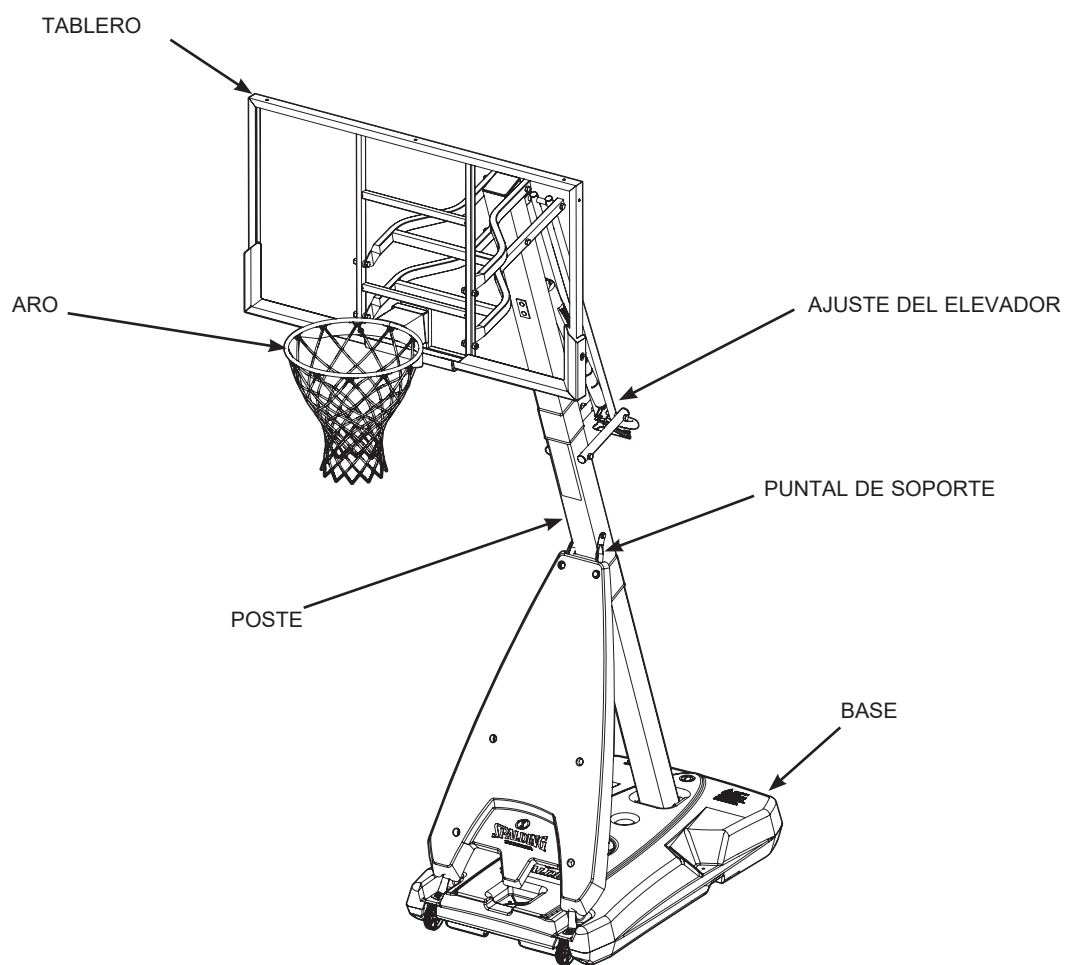
- Si usa una escalera durante el montaje, extreme la precaución.
- Revise regularmente la base para detectar si hay fugas. Las fugas lentas pueden hacer que el sistema se vuelque inesperadamente.
- Asiente las secciones del poste correctamente (si corresponde). De lo contrario, las secciones del poste podrían separarse al jugar en el sistema o al transportarlo.
- El clima, la corrosión o el mal uso podrían provocar fallos en el sistema.
- Si requiere asistencia técnica, comuníquese con el Servicio al Cliente.
- La altura mínima de operación es de 6 pies y 6 pulgadas (1,98 m) hasta la parte inferior del tablero.

La mayoría de las lesiones están causadas por un mal uso y/o por no seguir las instrucciones.

Tenga cuidado al usar este sistema.

Conozca las piezas básicas del sistema de baloncesto...

VISTA FRONTAL



NOTA:

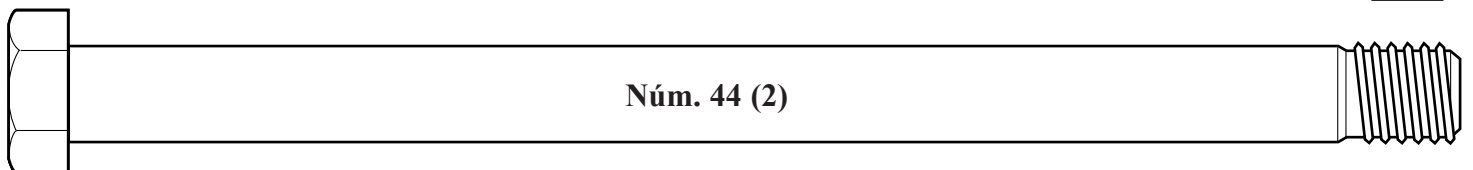
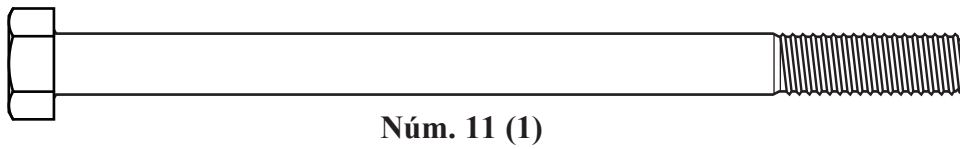
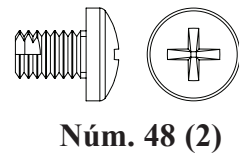
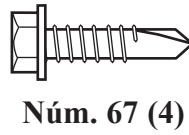
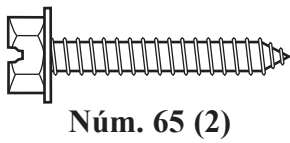
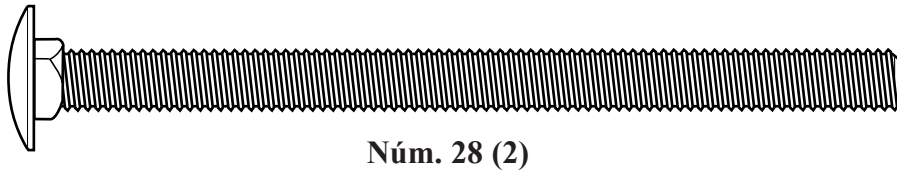
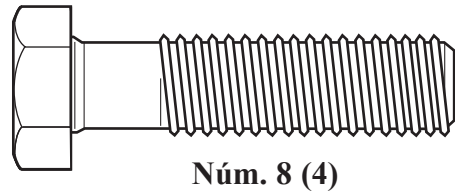
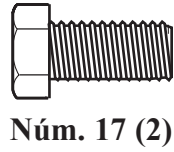
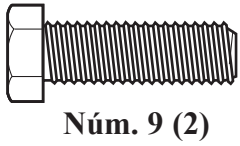
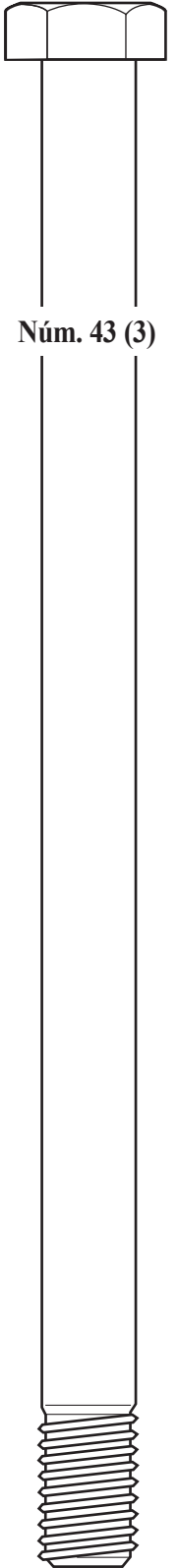
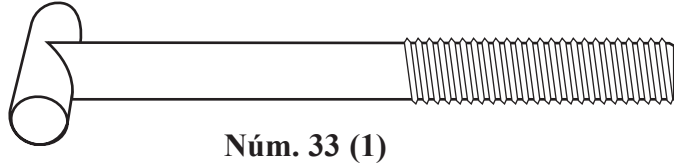
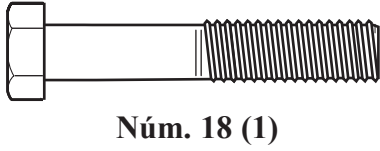
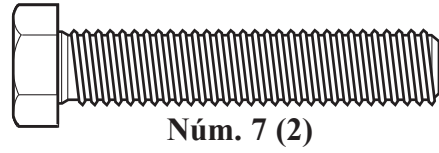
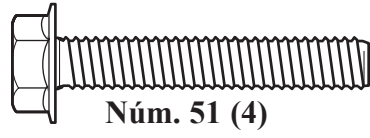
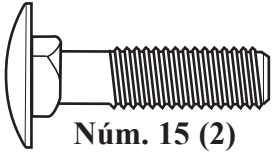
EL ESTILO DEL TABLERO VARIARÁ

LISTA DE PIEZAS - Ver el identificador de los herrajes

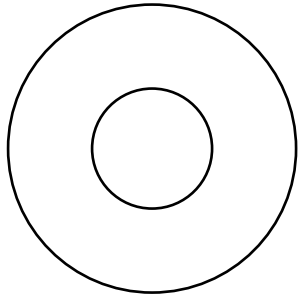
<u>Artículo</u>	<u>Cant.</u>	<u>Pieza Núm.</u>	<u>Descripción</u>	<u>Artículo</u>	<u>Cant.</u>	<u>Pieza Núm.</u>	<u>Descripción</u>
1	1	600335	Base, (Negra)	34	1	206989	Soporte de refuerzo del poste
2	2	10818201	Rueda eje	35	1	203470	Arandela, plana, "Slam Jam"
3	2	266200	Rueda, 4"	36	1	203795	Tuerca, especial
4	1	901648	Sección del poste superior - negra	37	2	208829	Tapón, tubo, a presión, 1", negro
5	1	901647	Sección del poste intermedio - negra	38	4	208828	Tapón, tubo, a presión, 1,25", negro
6	1	901646	Sección del poste inferior - negra	39	1	60028601	Cubierta frontal, Retorno de pelota
7	2	203679	Perno 3/8-16 x 2 de largo	40	9	206340	Tuerca, Nylock, 1/2-13
8	4	206665	Perno, cabeza hexagonal, 1/2-13 x 2,0 de largo	41	1	901649	Brazo elevador, inferior - negro
9	2	203156	Perno, hexagonal 5/16-18 x 1,0 de largo	42	1	901645	Brazo elevador, superior - negro
10	1	901121	Puntal de tanque - negro	43	3	205678	Perno, hexagonal, 1/2-13 x 7" de largo
11	1	208247	Perno, cabeza hexagonal, 5/16-18 x 4,75" de largo	44	2	201640	Perno, hexagonal, 1/2-13 x 7,25" de largo
12	6	203218	Arandela, plana, d. int. 5/16	47	1	908355	Placa de cubierta, aro
13	2	203099	Tuerca, Nylock, 5/16-18	48	2	204558	Tornillo, 1/4" x 0,375" de largo
14	4	201651	Espaciador, d. int. 0,5 X 0,25 de largo	49	1	205355	Broca, 11/64"
15	6	208505	Perno, carruaje, 5/16-18 x 1,5 de largo	50	1	108181	Placa, montaje del poste
16	12	203100	Tuerca, bridada hexagonal, 5/16-18	51	4	208892	Perno, bridada hexagonal, 5/16-18 x 1,625" de largo
17	2	204962	Perno, hexagonal, 5/16-18 x 0,625 de largo	52	2	901508	Tubo, elevador vertical, puntal de gas
18	1	202739	Perno, hexagonal, 5/16-18 x 1,75 de largo	53	2	901527	Tubo, puntal de gas, brazos de la manija
19	2	108183	Soporte de las ruedas	54	1	702653	Montaje puntal de gas
20	2	205082	Espaciador d. int. 0,530 x 0,38 de largo	55	6	208251	Espaciador, d. int. 0,50 x d. ext. 0,98 x 0,125 de largo
21	1	500065	Etiqueta, ajuste de altura y movilización	56	1	801477	Cubierta, Spalding
22	1	600052	Tapa, parte superior del poste	57	1	204007	Tuerca, Nylock, M4 x 0,7
23	4	207550	Tuerca del eje	58	1	208762	Perno, hexagonal, M4 x 0,7 x 25 mm de largo
24	1	203617	Tapa, base	59	1	600342	Manija, inyección de gas
25	1		Aro	60	1	600343	Gatillo, elevador
26	1		Red	61	1	901120	Puntal de tanque, izquierdo - negro
27	1	108163	Soporte montaje del poste	62	1	20157801	Almohadilla del tablero, sección izquierda
28	2	204846	Perno, carruaje, 5/16-18 x 4,5" de largo	63	1	20157901	Almohadilla del tablero, sección derecha
29	1	201683	Espaciador d. int 0,53 x 1,50 de largo	64	1	201580	Almohadilla del tablero, sección central
30	1	208760	Resorte, negro, "Slam Jam"	65	2	201596	Tornillo, 1/4 x 1,25
31	1	200318	Soporte, refuerzo, "Slam Jam"	66	6	206303	Arandela, plana, 1/4
32	1	900033	Soporte, "Slam Jam"	67	4	202871	Tornillo, 1/4 x 0,75
33	1	206048	Perno en T, 3/8-16 x 3,25" de largo				

* Puede haber piezas adicionales en este modelo.

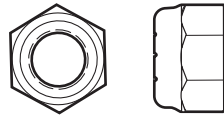
IDENTIFICADOR DE LOS HERRAJES (PERNOS Y TORNILLOS)



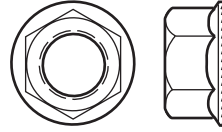
IDENTIFICADOR DE LOS HERRAJES (TUERCAS Y ARANDELAS)



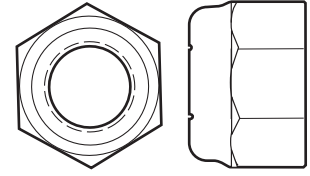
Núm. 35 (1)



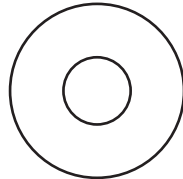
Núm. 13 (2)



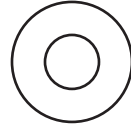
Núm. 16 (12)



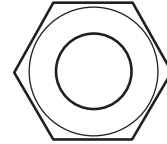
Núm. 40 (9)



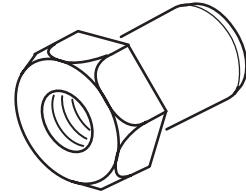
Núm. 12 (8)



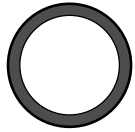
Núm. 66 (6)



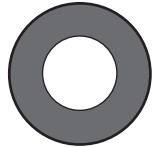
Núm. 36 (1)



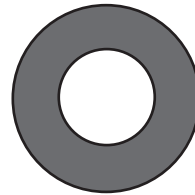
IDENTIFICADOR DE LOS HERRAJES (TAPAS, CLIPS, ESPACIADORES DE PLÁSTICO Y OTROS)



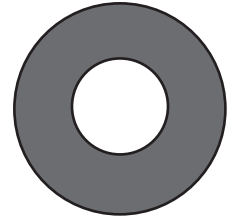
Núm. 29 (1)



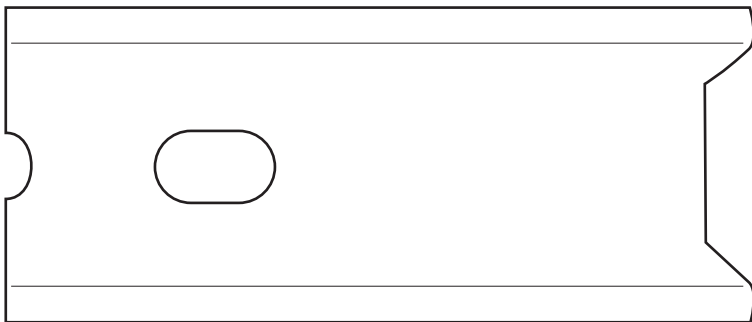
Núm. 20 (2)



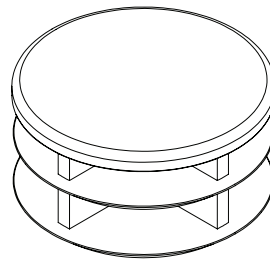
Núm. 55 (6)



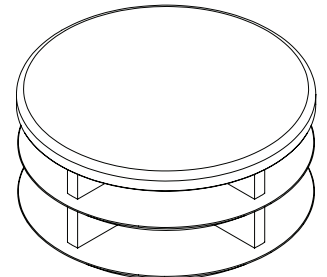
Núm. 14 (4)



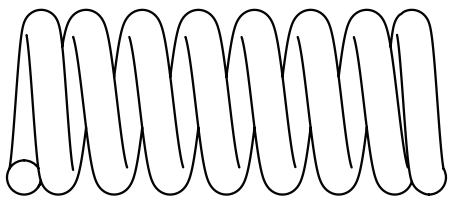
Núm. 31 (1)



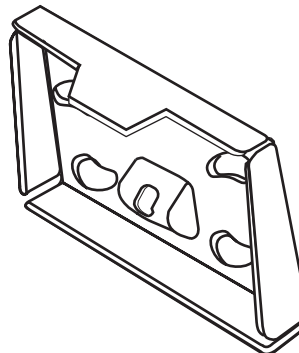
Núm. 37 (2)



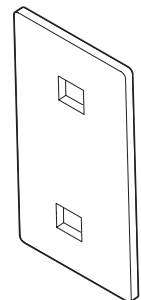
Núm. 38 (4)



Núm. 30 (1)



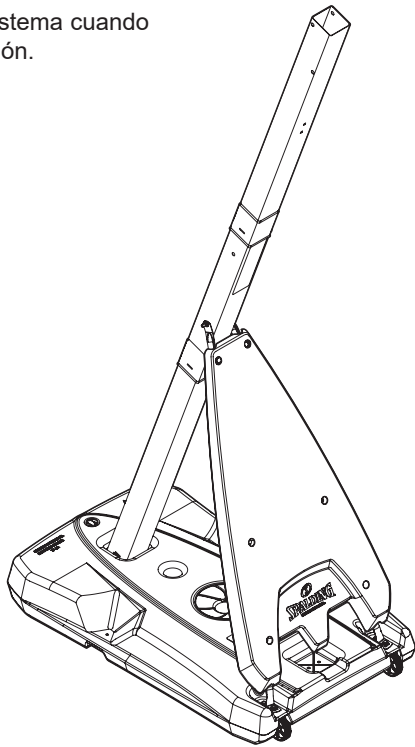
Núm. 32 (1)




Núm. 34 (1)

SECCIÓN A: MONTAJE DE LA BASE


Así es como se verá su sistema cuando haya terminado esta sección.





¡ADVERTENCIA!

SE REQUIEREN DOS ADULTOS CAPACES PARA ESTE PROCEDIMIENTO. EL INCUMPLIMIENTO DE ESTA ADVERTENCIA PODRÍA OCASIONAR LESIONES GRAVES Y/O DAÑOS MATERIALES.



ARTÍCULOS REQUERIDOS PARA ESTA SECCIÓN

(2) 1/2", y (2) 9/16" Llaves



(2) Carracas y llaves de vaso

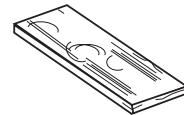
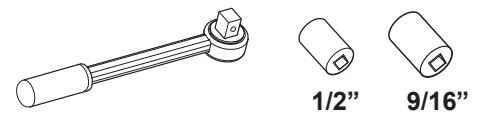
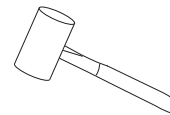
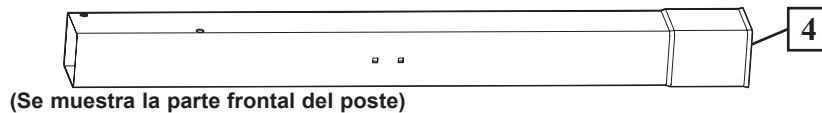


Tabla de madera (de desecho)



Martillo o mazo

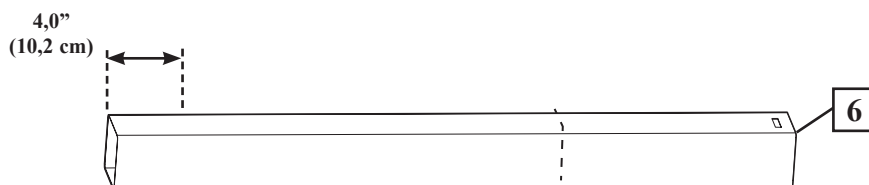
- 1.** Identifique correctamente cada sección del poste. Mida y marque 4,0" (10,2 cm) desde la parte superior del poste intermedio (5) y el poste inferior (6).



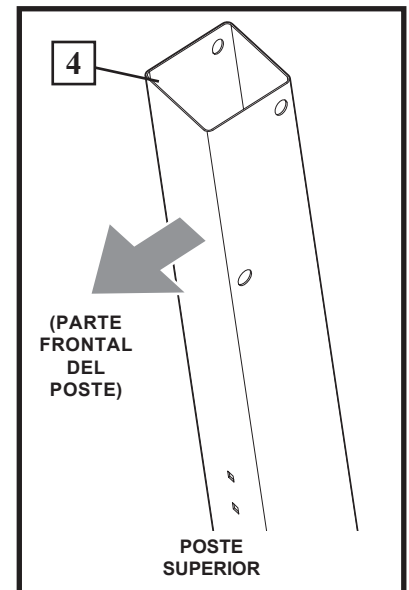
SUPERIOR



INTERMEDIO



INFERIOR



2. Alinee con cuidado la sección del **poste intermedio** (5) con la sección del **poste superior** (4), tal y como se muestra. Empuje las secciones utilizando un trozo de madera, mientras se mantiene la alineación, hasta que la sección del **poste superior** (4) llegue a la línea marcada en la sección del **poste intermedio** (5).

Debe quedar una superposición de 4,0" (10,2 cm) si se ensambla correctamente.

⚠ NOTA: SI NO PUEDE CONSEGUIR UN ENGANCHE MÍNIMO DEL POSTE QUE PERMITA ENSAMBLAR LOS HERRAJES ¡¡PARE!! ¡NO CONTÍNE CON EL SIGUIENTE PASO! - LLAME AL SERVICIO AL CLIENTE DE SPALDING PARA RECIBIR ASISTENCIA.

¡ADVERTENCIA!

SE REQUIEREN DOS ADULTOS CAPACES PARA ESTE PROCEDIMIENTO. EL INCUMPLIMIENTO DE ESTA ADVERTENCIA PODRÍA OCASIONAR LESIONES GRAVES Y/O DAÑOS MATERIALES.

¡PRECAUCIÓN!

CUANDO ESTÁN CORRECTAMENTE ENCAJADAS, LAS SECCIONES DE LOS POSTES DEBEN TENER UNA SUPERPOSICIÓN DE 4,0" (10,2 CM).

¡IMPORTANTE!

Alinee la sección del poste superior (4) dentro de la sección del poste intermedio (5) como se muestra.

POSTE INTERMEDIO 5

LÍNEA MARCADA

LÍNEA MARCADA 4,0" (10,2 cm)

POSTE SUPERIOR 4

POSTE INTERMEDIO 5

(PARTE FRONTAL DEL POSTE)

POSTE SUPERIOR 4

(PARTE FRONTAL DEL POSTE)

Trozo de madera (no se suministra)

3. Alinee con cuidado el montaje del **poste superior e intermedio** (4 y 5) con la sección del **poste inferior** (6), tal y como se muestra. Empuje las secciones utilizando un trozo de madera, mientras se mantiene la alineación, hasta que la sección del **poste intermedio** (5) llegue a la línea marcada en la sección del **poste inferior** (6).

Debe quedar una superposición de 4,0" (10,2 cm) si se ensambla correctamente.

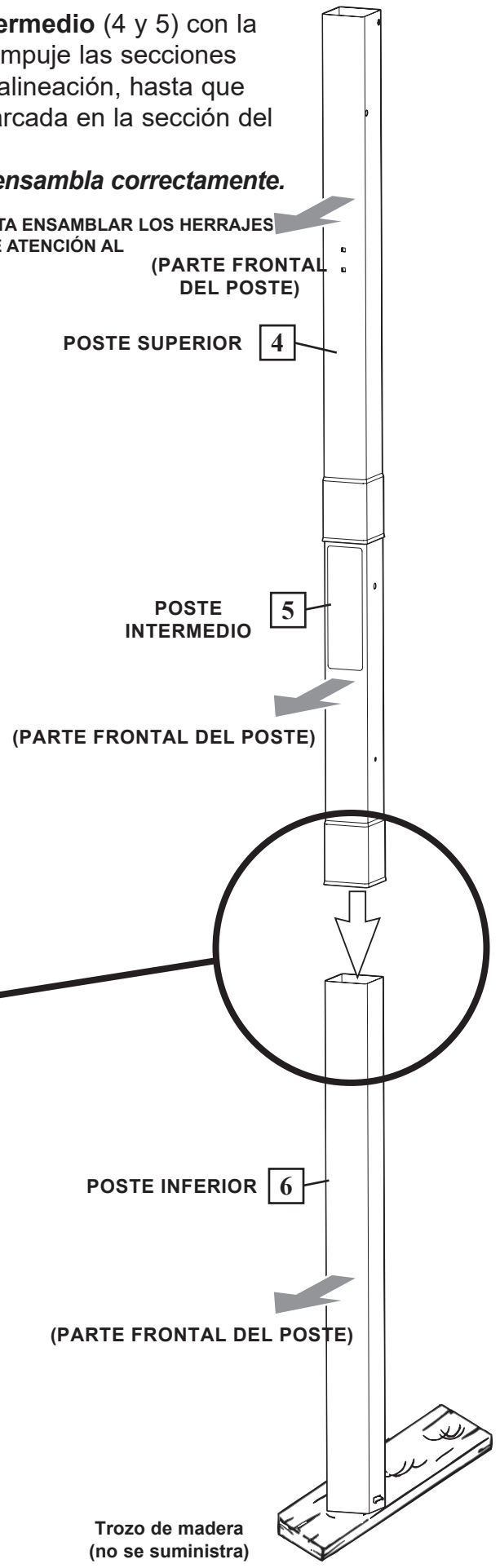
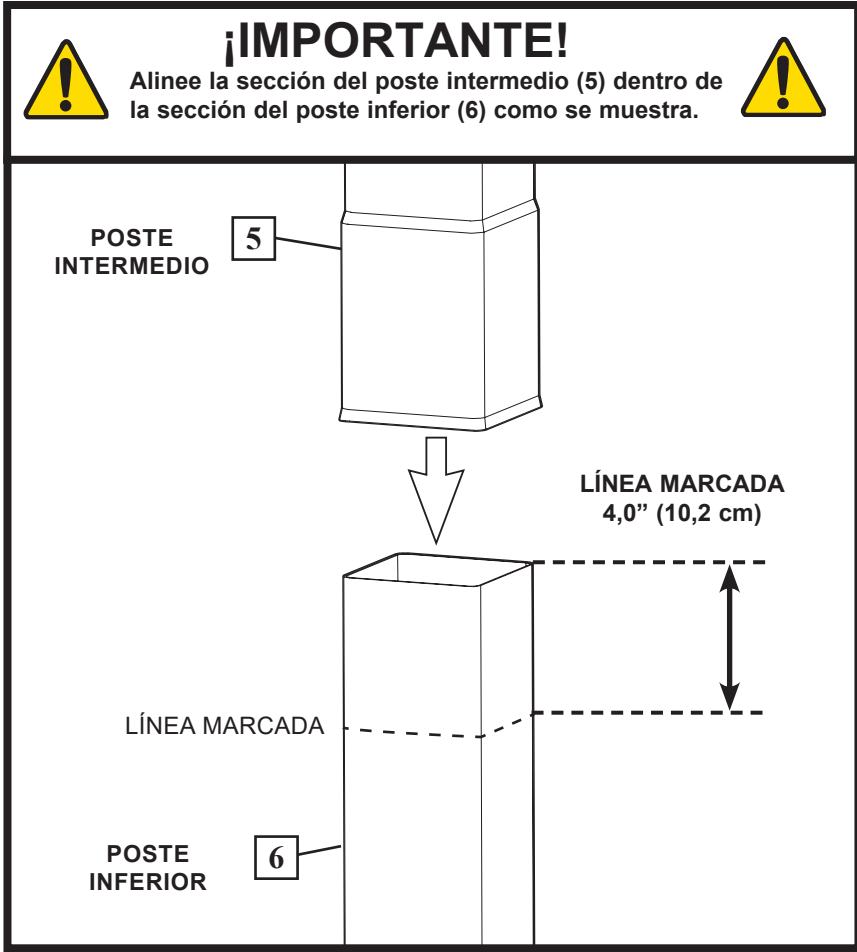
⚠ NOTA: SI NO SE LOGRA UN ENGANCHE MÍNIMO DEL POSTE QUE PERMITA ENSAMBLAR LOS HERRAJES ¡¡PARE!! ¡NO CONTÍNE CON EL SIGUIENTE PASO! - LLAME AL SERVICIO DE ATENCIÓN AL CLIENTE DE SPALDING PARA RECIBIR ASISTENCIA.

¡ADVERTENCIA!

SE REQUIEREN DOS ADULTOS CAPACES PARA ESTE PROCEDIMIENTO. EL INCUMPLIMIENTO DE ESTA ADVERTENCIA PODRÍA OCASIONAR LESIONES GRAVES Y/O DAÑOS MATERIALES.

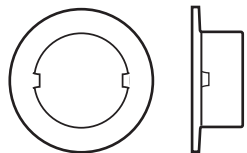
¡PRECAUCIÓN!

CUANDO ESTÁN CORRECTAMENTE ENCAJADAS, LAS SECCIONES DE LOS POSTES DEBEN TENER UNA SUPERPOSICIÓN DE 4,0" (10,2 CM).

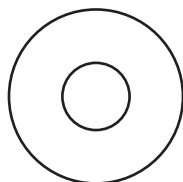


KIT Núm. 1 208868

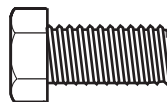
MONTAJE DE LA BASE - KIT IDENTIFICADOR DE LOS HERRAJES NÚM. 1



Núm. 23 (4)



Núm. 12 (2)

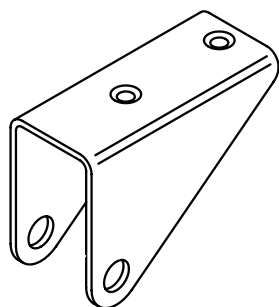


Núm. 17 (2)

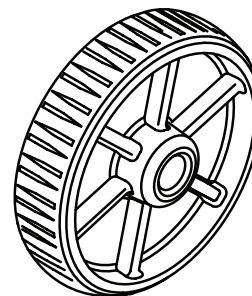


Núm. 2 (2)

Los elementos no incluidos en el kit, se encuentran en la caja de herrajes.



Núm. 19 (2)



Núm. 3 (2)

LISTA DE PIEZAS - KIT NÚM. 1

<u>Artículo</u>	<u>Cant.</u>	<u>Pieza Núm.</u>	<u>Descripción</u>
2	2	10818201	Rueda, eje
3	2	266200	Rueda, 4 pulgadas
12	2	203218	Arandela, plana, d. int. 5/16"
17	2	204962	Perno, hexagonal, 5/16-18 x 0,625 de largo
19	2	108183	Soporte de las ruedas
207550	4	207550	Tuerca del eje

4.

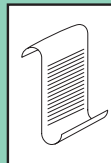
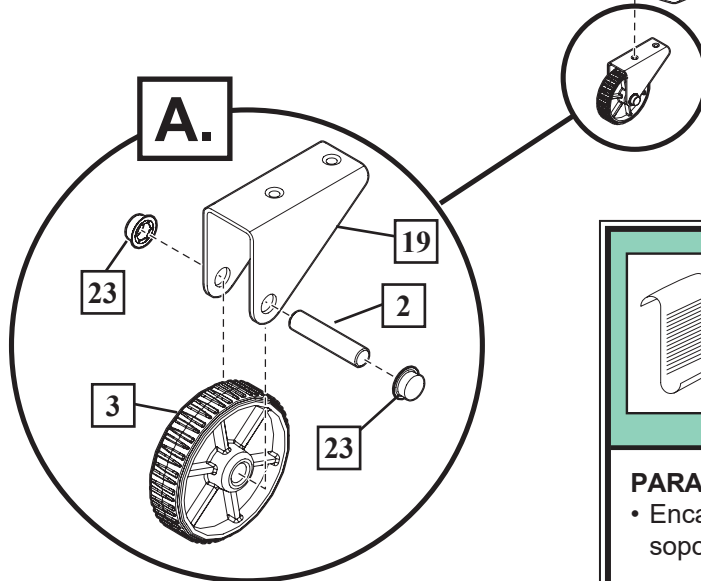
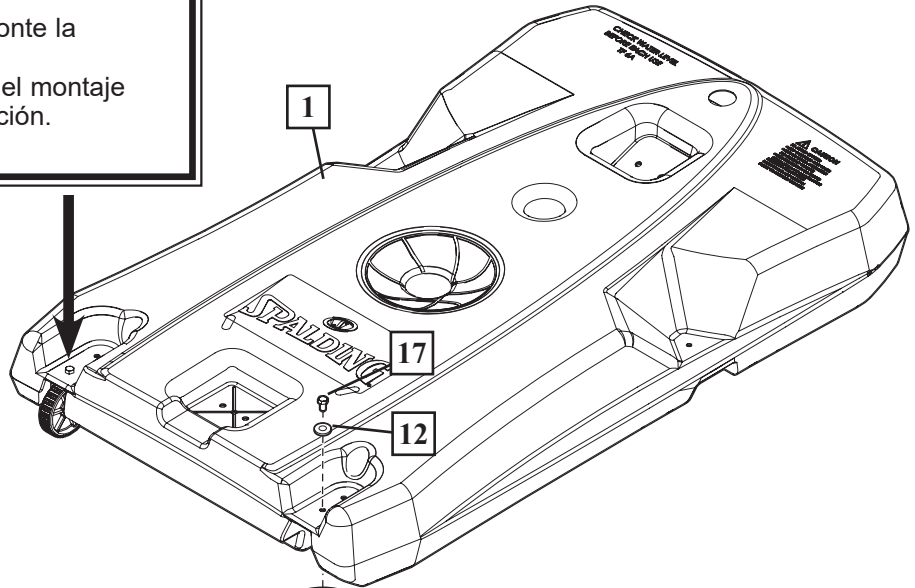
A

Inserte el montaje de la rueda en la parte inferior de la base (1). Encaje las ruedas (3) en los soportes de las ruedas (19) empleando los ejes (2) y las tuercas (23).

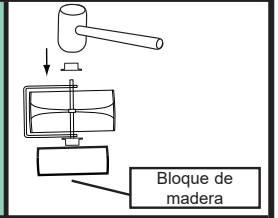


NOTA

No instale los dos pernos cuando monte la rueda en este momento.
El perno frontal se instalará durante el montaje del puntal, en el Paso 3 de esta sección.



NOTA



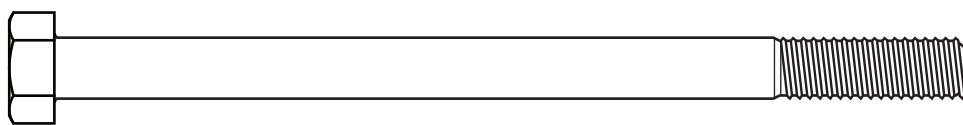
PARA INSTALAR LA SEGUNDA TUERCA DENTADA:

- Encaje la tuerca dentada, las ruedas, el eje y el soporte de la rueda tal y como se indica.
- Presione la tuerca dentada/eje del final con un bloque de madera para encajar la segunda tuerca dentada en el eje.

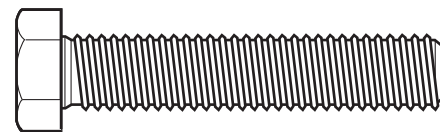
B

Incorpore el conjunto de la rueda en la parte inferior de la base (1), utilizando los pernos (17) y arandelas (12) a través de la base y en los soportes de las ruedas (19) como se muestra, empleando, únicamente, los orificios traseros. Se emplearán los orificios delanteros en un paso posterior.

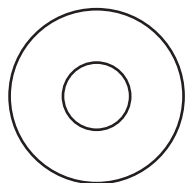
KIT Núm. 2 208869 POSTE Y PUNTA A LA BASE - KIT IDENTIFICADOR DE LOS HERRAJES NÚM. 2



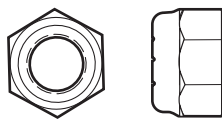
Núm. 11 (1)



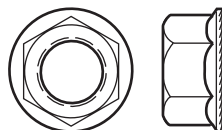
Núm. 7 (2)



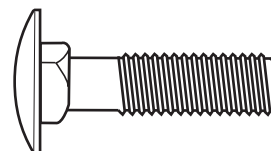
Núm. 12 (4)



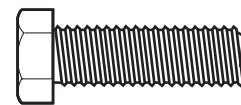
Núm. 13 (1)



Núm. 16 (6)



Núm. 15 (6)

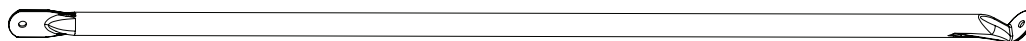


Núm. 9 (2)

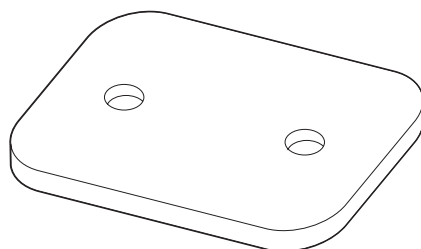
Los elementos no incluidos en el kit, se encuentran en la caja de herrajes.



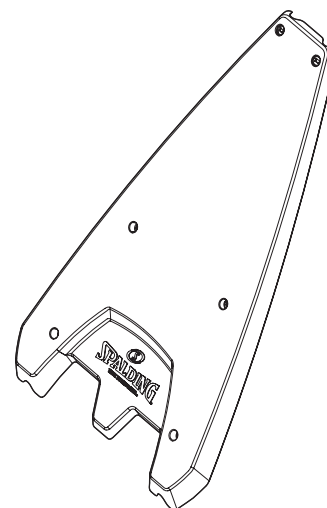
Núm. 10 (1)



Núm. 61 (1)



Núm. 50 (1)



Núm. 39 (1)

LISTA DE PIEZAS - KIT NÚM. 2

<u>Artículo</u>	<u>Cant.</u>	<u>Pieza Núm.</u>	<u>Descripción</u>
7	2	203679	Perno, hexagonal, 3/8-16 x 2,0" de largo
9	2	203156	Perno, hexagonal 5/16-18 x 1,0" de largo
10	1	901121	Puntal de tanque, derecho - negro
61	1	901120	Puntal de tanque, izquierdo - negro
11	1	208247	Perno, cabeza hexagonal, 5/16-18 x 4,75" de largo
12	4	203218	Arandela, plana, d. int. 5/16"
13	1	203099	Tuerca, Nylock, 5/16-18
15	6	208505	Perno, carruaje 5/16-18 x 1,50" de largo
16	6	203100	Tuerca, brida hexagonal, 5/16-18
39	1	60028601	Cubierta frontal, Retorno de pelota
50	1	108181	Placa, montaje del poste

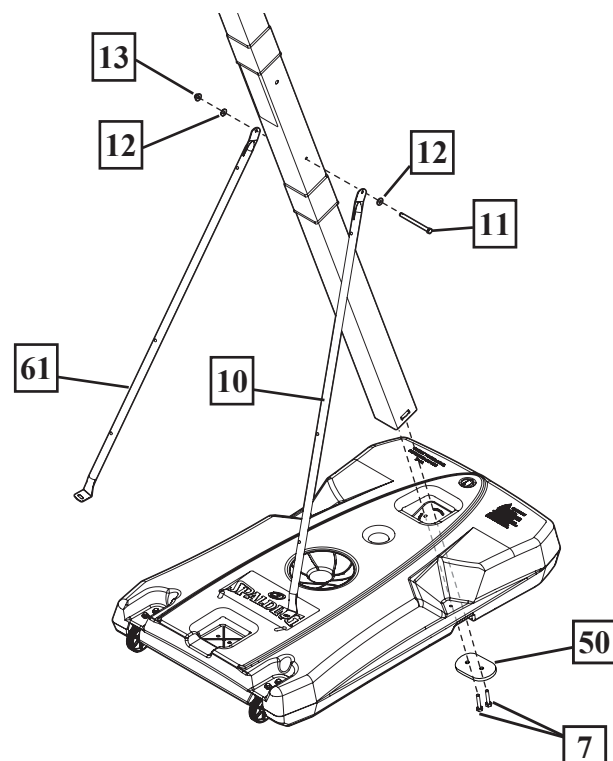
5. Inserte el montaje del poste en el montaje del tanque como se muestra. Fije el conjunto de postes (4,5,6) al tanque utilizando la placa del montaje del poste (50) y los pernos (7) como se muestra. Fije el extremo plano de los puntales del tanque (10) al poste utilizando el perno (11), la arandela (12), y la tuerca (13), como se muestra. No apriete por completo el perno (11) y la arandela (13).

¡IMPORTANTE!

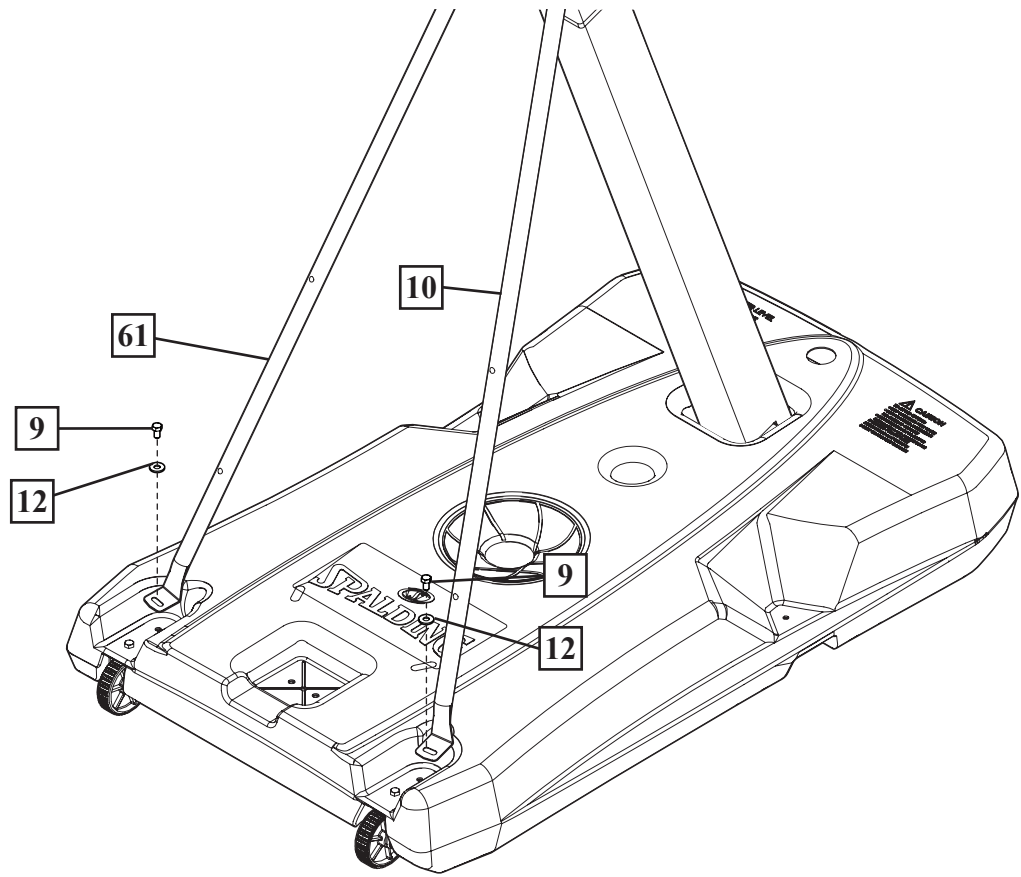
La etiqueta de advertencia debe estar orientada hacia adelante.

¡ADVERTENCIA!

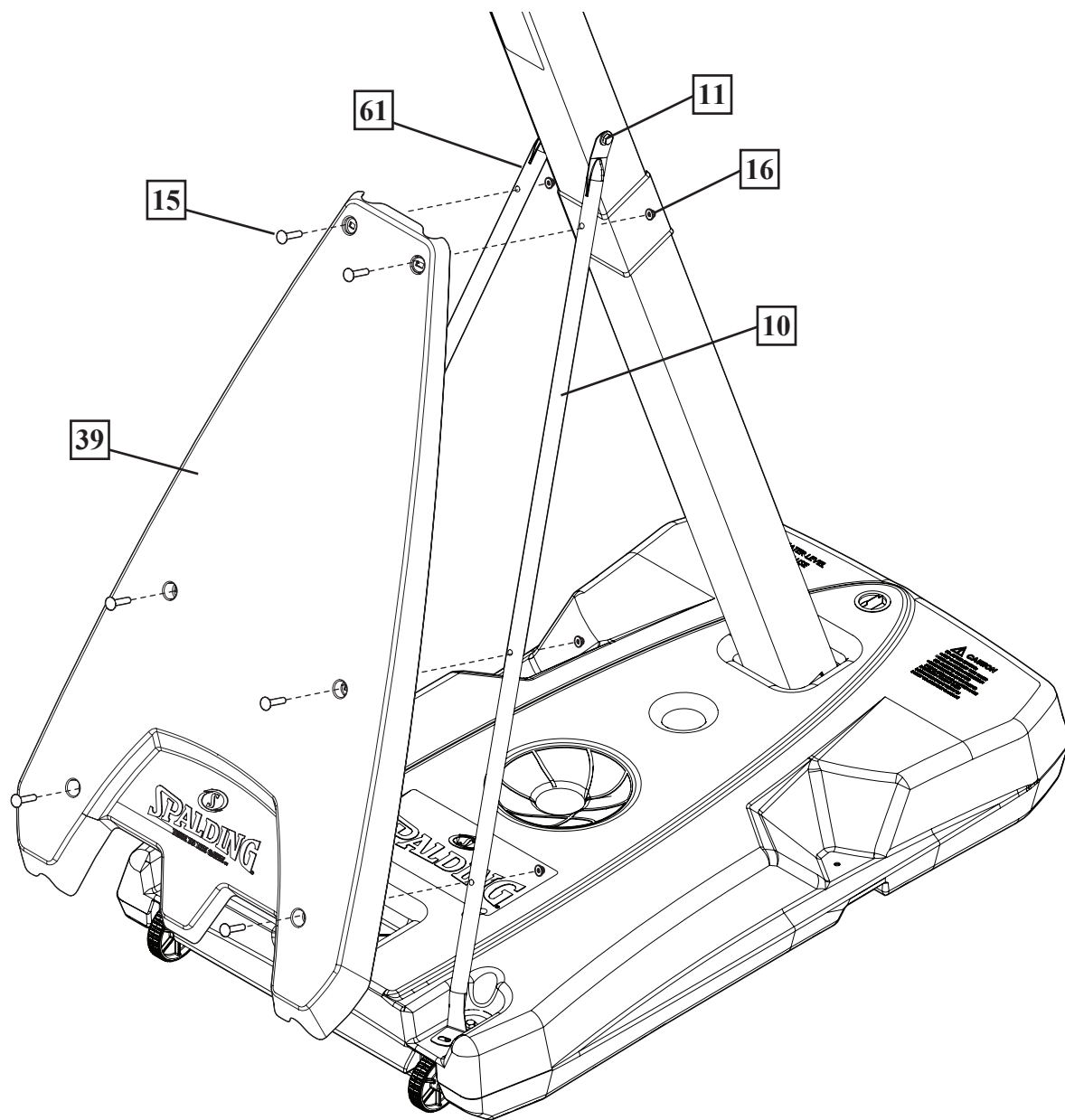
SE REQUIEREN DOS ADULTOS CAPACES PARA ESTE PROCEDIMIENTO. EL INCUMPLIMIENTO DE ESTA ADVERTENCIA PODRÍA OCASIONAR LESIONES GRAVES Y/O DAÑOS MATERIALES.



6. Gire los extremos angulares no fijados de los puntales (10), alinee el marco de soporte de la base (39) bajo la base (1) y fije los puntales del tanque (10) a la base utilizando los pernos (15) y las arandelas (12).



- 7.** Fije la cubierta (39) sobre los puntales de la base (10, 61) utilizando los pernos (15) y tuercas (16) como se muestra. Deje sueltos los pernos (15) y tuercas (16) hasta que haya colocado todas las tuercas y pernos. Apriete el perno (11) del Paso 5 cuando termine.



¡IMPORTANTE!

APRIETE TODOS LOS HERRAJES DE ESTE PASO
UNA VEZ HAYA TERMINADO ESTE MONTAJE

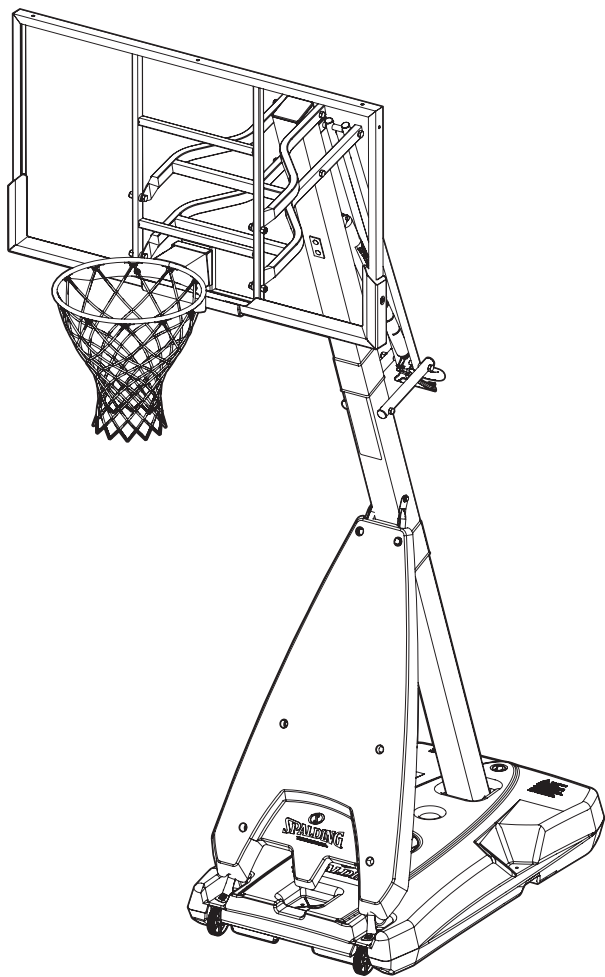


¡IMPORTANTE!

¡NO APRIETE DEMASIADO!

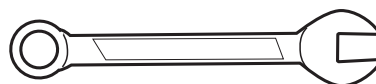
SECCIÓN B: FIJE EL TABLERO Y EL PUNTAL DE GAS

Así es como se verá su sistema cuando haya terminado esta sección.



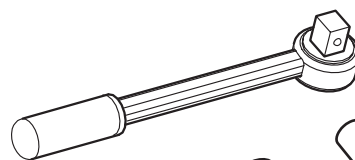
ARTÍCULOS REQUERIDOS PARA ESTA SECCIÓN

(2) 7 mm, (2) 1/2", (2) 9/16" y (2) 3/4" Llaves



Y/O

(2) Carracas y llaves de vaso



7 mm



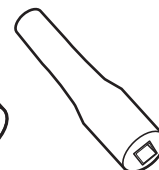
1/2"



9/16"

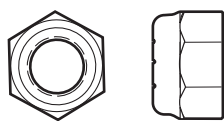


3/4"

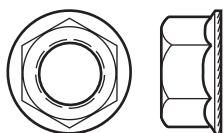


Extensión

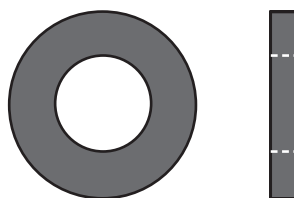
KIT Núm. 3 208870 MONTAJE DEL PUNTAL DE GAS - KIT IDENTIFICADOR DE LOS HERRAJES NÚM. 3



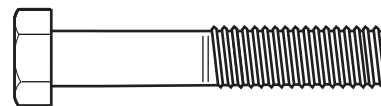
Núm. 13 (1)



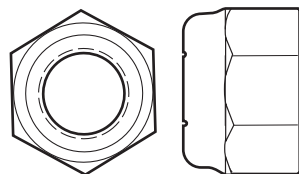
Núm. 16 (2)



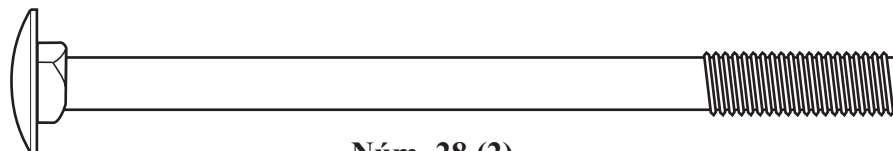
Núm. 55 (2)



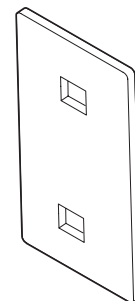
Núm. 18 (1)



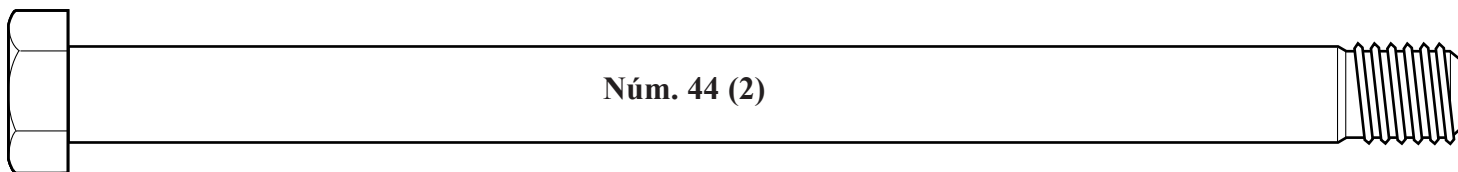
Núm. 40 (2)



Núm. 28 (2)



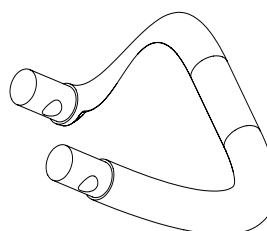
Núm. 34 (1)



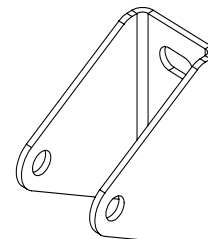
Núm. 44 (2)



Núm. 56 (1)



Núm. 59 (1)



Núm. 27 (1)



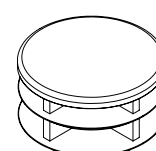
Núm. 52 (2)



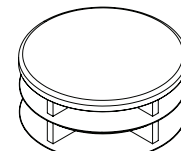
Núm. 53 (2)



Núm. 54 (1)



Núm. 37 (2)

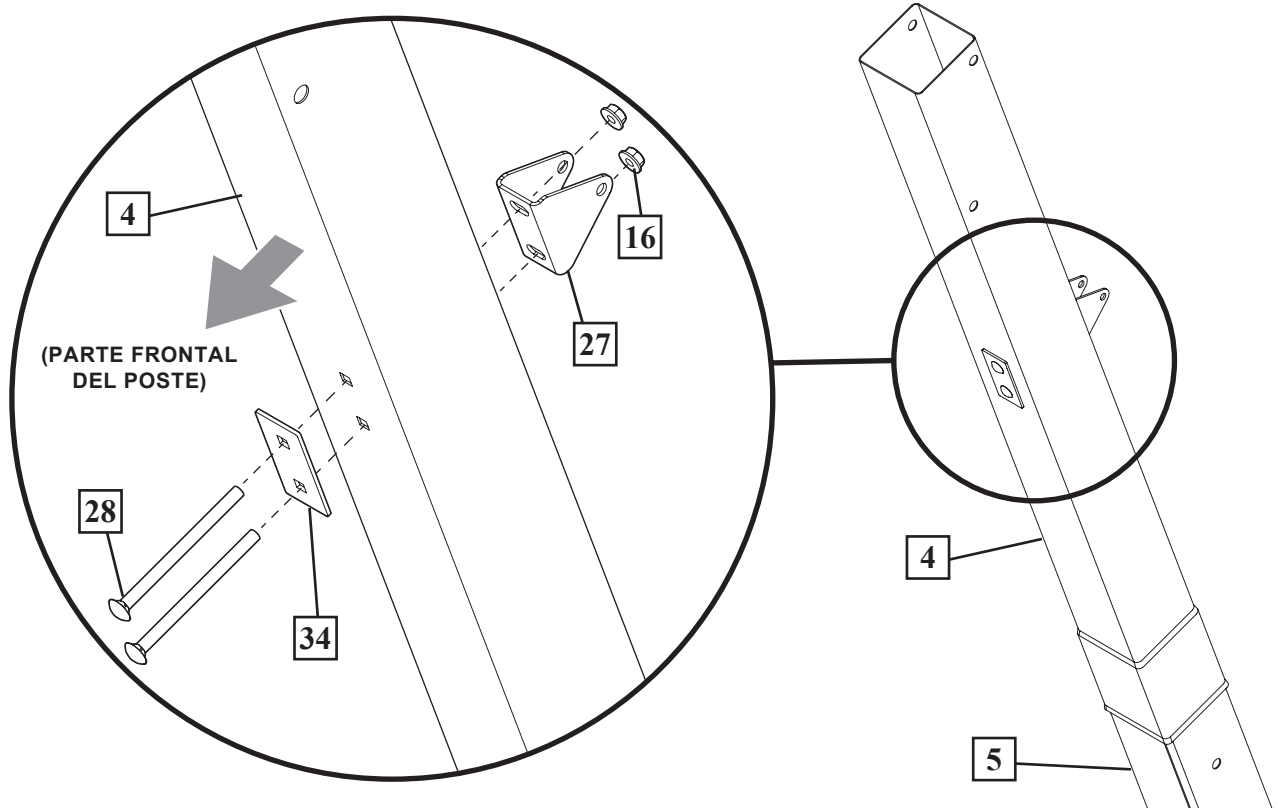


Núm. 38 (4)

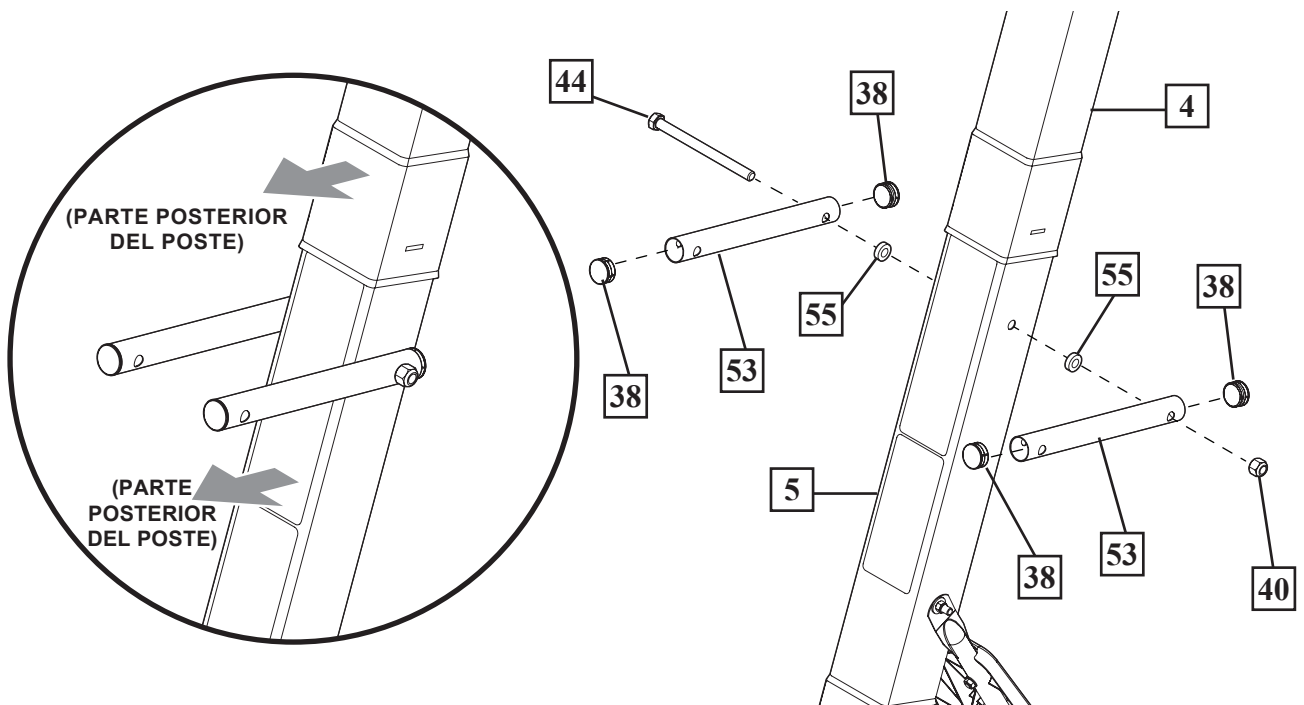
LISTA DE PIEZAS - KIT NÚM. 3

<u>Artículo</u>	<u>Cant.</u>	<u>Pieza Núm.</u>	<u>Descripción</u>	<u>Artículo</u>	<u>Cant.</u>	<u>Pieza Núm.</u>	<u>Descripción</u>
13	1	203099	Tuerca, Nylock, 5/16-18	44	2	201640	Perno, hexagonal, 1/2-13 x 7,25" de largo
16	2	203100	Tuerca, bridada hexagonal, 5/16-18	52	2	901508	Tubo, elevador vertical, puntal de gas
18	1	202739	Perno, hexagonal 5/16-18 x 1,75" de largo	53	2	901527	Tubo, puntal de gas, brazos de la manija
27	1	108163	Soporte montaje del poste	54	1	702653	Montaje puntal de gas
28	2	204846	Perno, carruaje, 5/16-18 x 4,5" de largo	55	2	208251	Espaciador, d. int. 0,50 x d. ext. 0,98 x 0,125 de largo
34	1	206989	Soporte de refuerzo del poste	56	1	801477	Cubierta, Spalding
37	2	208829	Tapón, tubo, a presión, 1", negro	59	1	600342	Manija, inyección de gas
38	4	208828	Tapón, tubo, a presión, 1,25", negro				
40	2	206340	Tuerca, Nylock, 1/2-13				

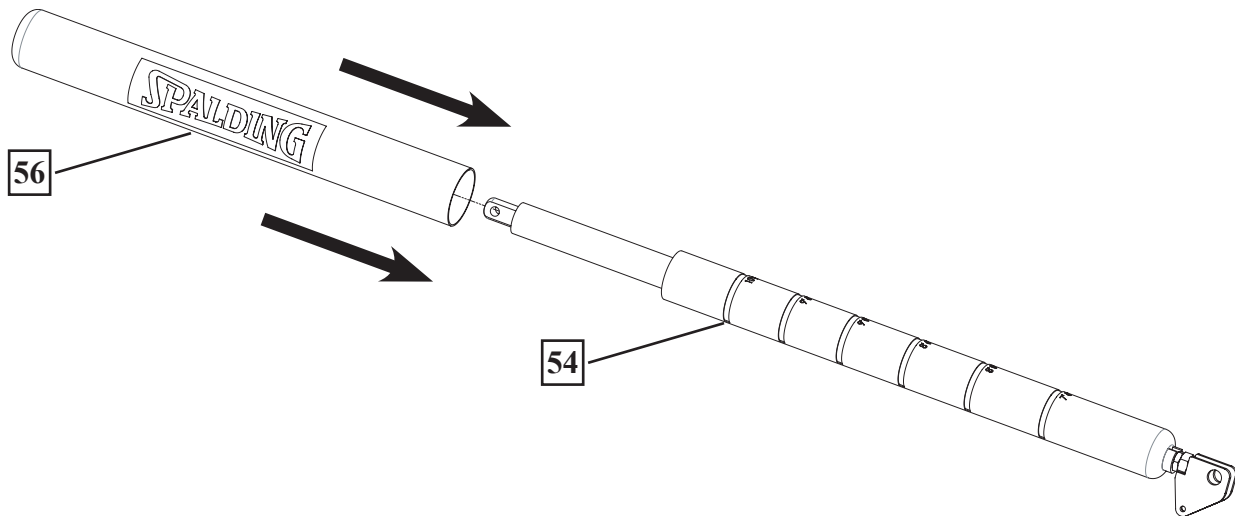
- 1.** Instale el soporte del montaje del poste (27) y el soporte de refuerzo (34) con los pernos de carruaje (28) en los orificios de montaje del poste superior (4) tal y como se indica. Apriete las tuercas bridadas (16) por completo.



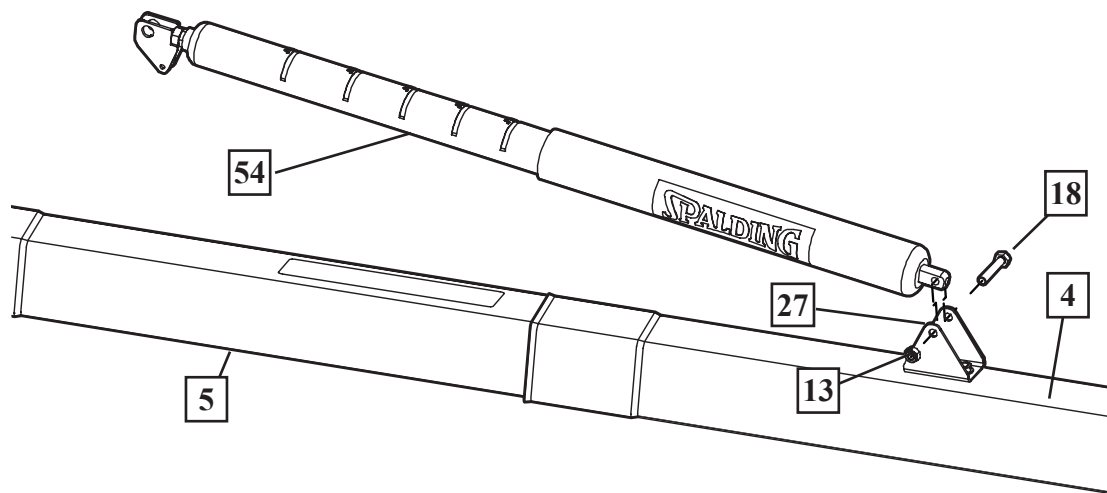
- 2.** Instale los tubos del brazo del puntal de gas (53) en el poste central (5) utilizando el perno hexagonal (44) y la tuerca nylock (40) como se muestra. Inserte los tapones (38) en los tubos (53).



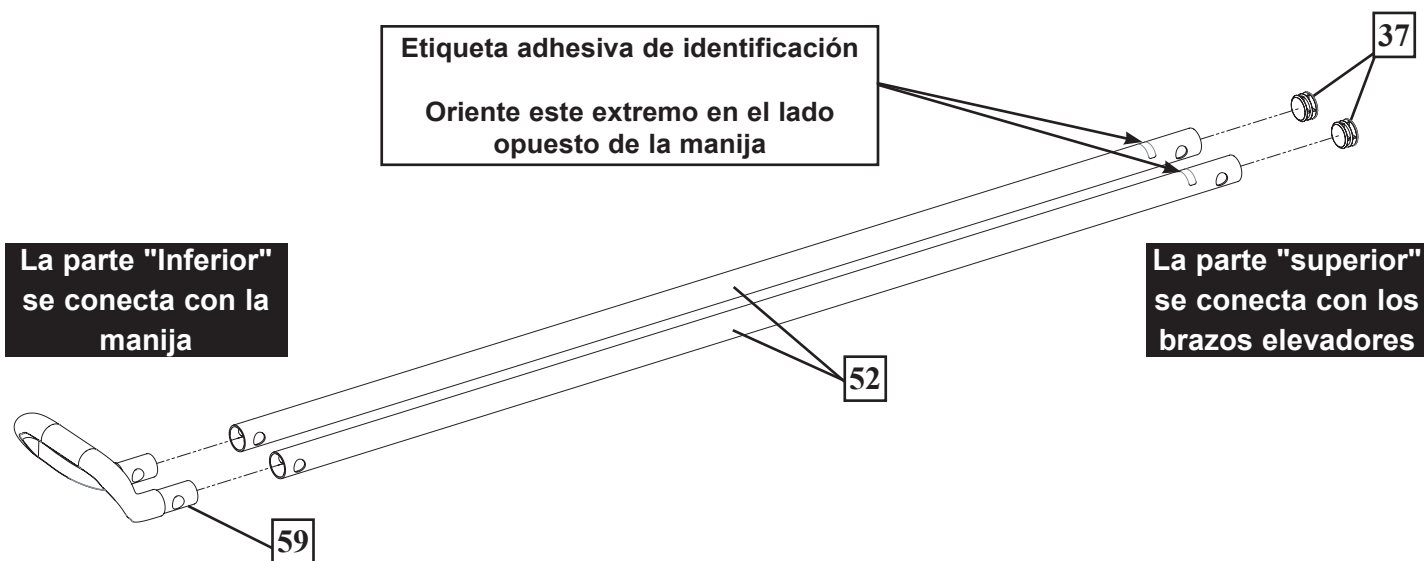
3. Deslice la cubierta superior (56) sobre el montaje del puntal de gas (54) como se muestra a continuación.



4. Fije el conjunto del puntal de gas (54) utilizando el perno (18) y la tuerca (13) al soporte de montaje del poste (27) como se muestra.

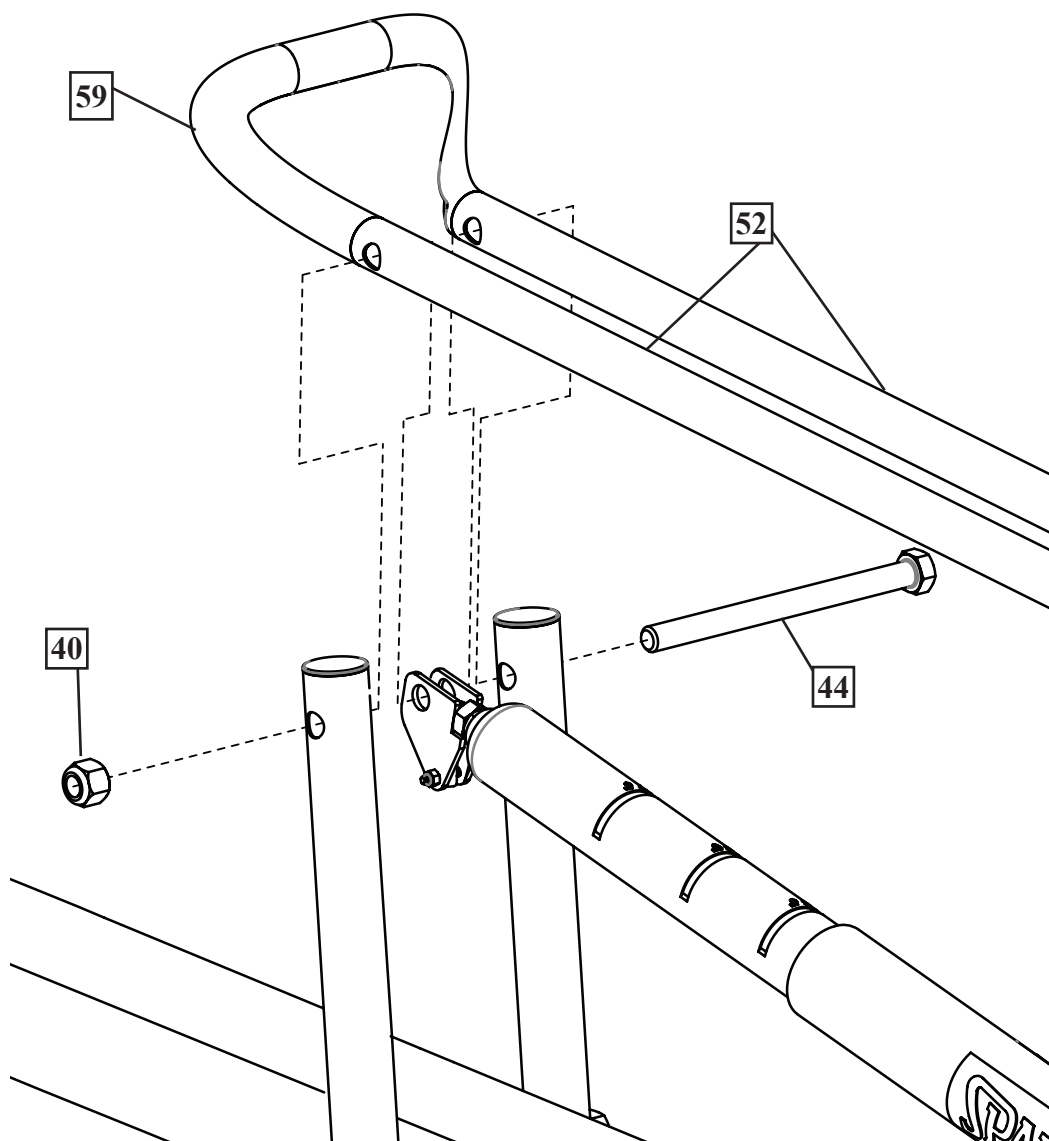


5. Identifique y oriente los tubos de conexión verticales (52) según las etiquetas adhesivas de identificación y fíjelos en la manija (59). Deslice el extremo inferior de los tubos (52) sobre la manija (59) alineando los orificios. Inserte las tapas (37) en la parte superior de los tubos (52).

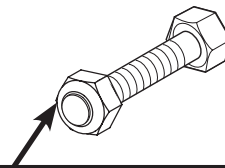


6.

Inserte el perno (44) a través de los brazos de la manija (53), los tubos verticales (52) y el soporte del montaje del puntal de gas como se muestra a continuación. Fíjelo con una tuerca (40) como se muestra.



¡ADVERTENCIA!

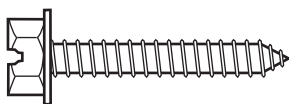


APRIETE EL PERNO (44) EN LA CONTRATUERCA (40) HASTA QUEDAR PAREJO CON EL BORDE EXTERIOR DE LA CONTRATUERCA.

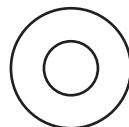
KIT Núm. 4 208796 MONTAJE DEL TABLERO - KIT IDENTIFICADOR DE HERRAJES NÚM. 4



Núm. 51 (4)



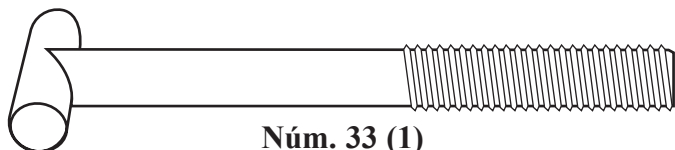
Núm. 65 (2)



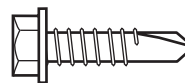
Núm. 66 (6)



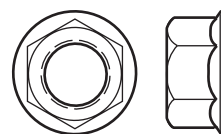
Núm. 49 (1)



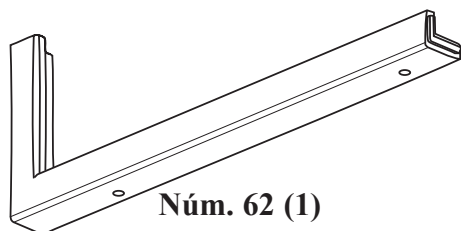
Núm. 33 (1)



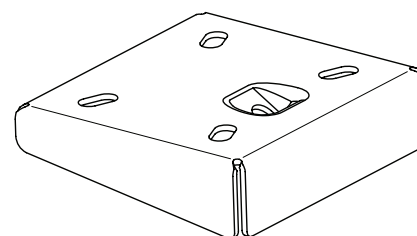
Núm. 67 (4)



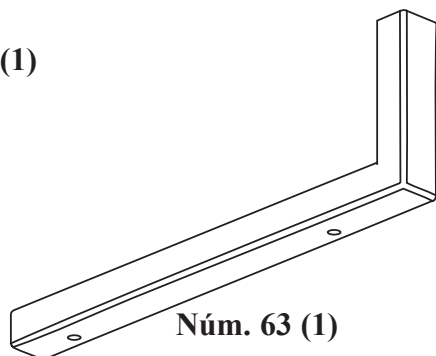
Núm. 16 (4)



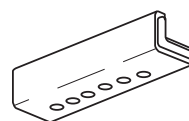
Núm. 62 (1)



Núm. 32 (1)



Núm. 63 (1)



Núm. 64 (1)

LISTA DE PIEZAS - KIT NÚM. 4

<u>Artículo</u>	<u>Cant.</u>	<u>Pieza Núm.</u>	<u>Descripción</u>
16	4	203100	Tuerca, bridada hexagonal, 5/16-18
32	1	900033	Soporte, "Slam Jam"
33	1	206048	Perno cabeza en T, 3/8-16 x 3,25" de largo
49	1	205355	Broca, 11/64"
51	4	208892	Perno, bridada hexagonal, 5/16-18 x 1,625" de largo
62	1	20157801	Almohadilla del tablero, sección izquierda
63	1	20157901	Almohadilla del tablero, sección derecha
64	1	201580	Almohadilla del tablero, sección central
65	2	201596	Tornillo, 1/4 x 1,25
66	6	206303	Arandela, plana, 1/4
67	4	202871	Tornillo, 1/4 x 0,75

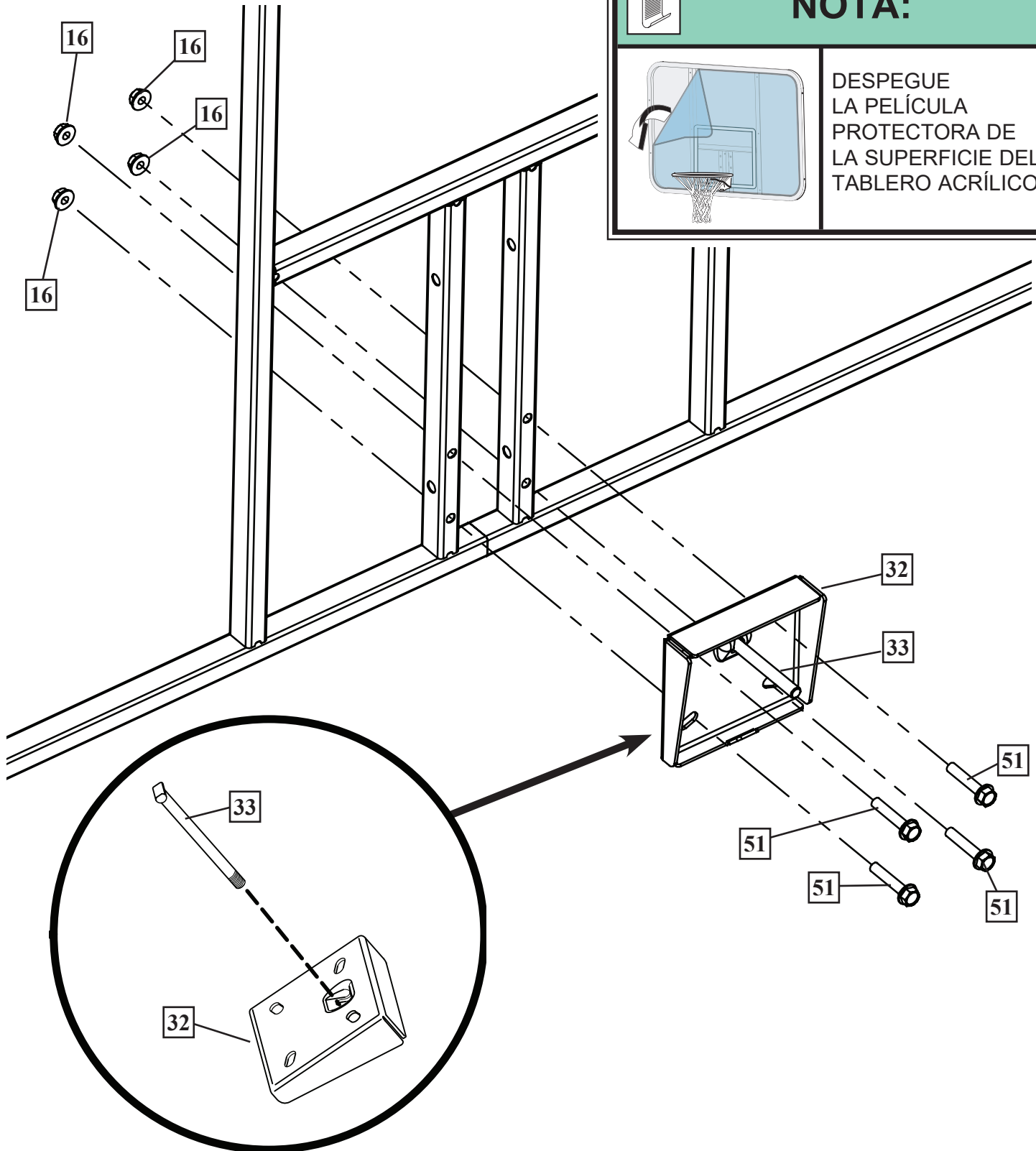
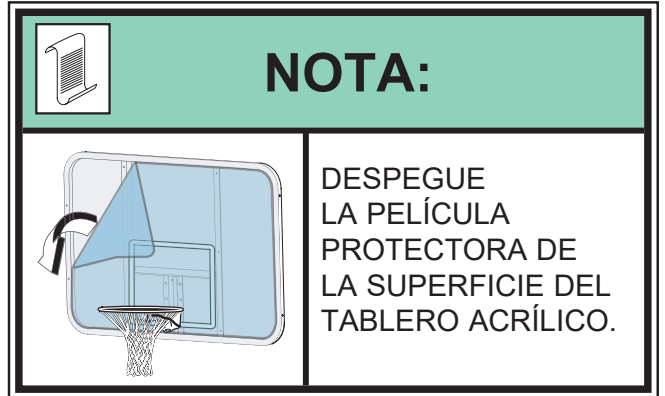
7.

Coloque el soporte Slam Jam en el tablero

Coloque el tablero sobre el caballete o la mesa de soporte.

Despegue la película protectora de la superficie del tablero acrílico antes del montaje.

Inserte el perno en T (33) en el soporte Slam Jam (32) y, a continuación, fije ese conjunto al tablero utilizando los pernos (51) y las tuercas (16).



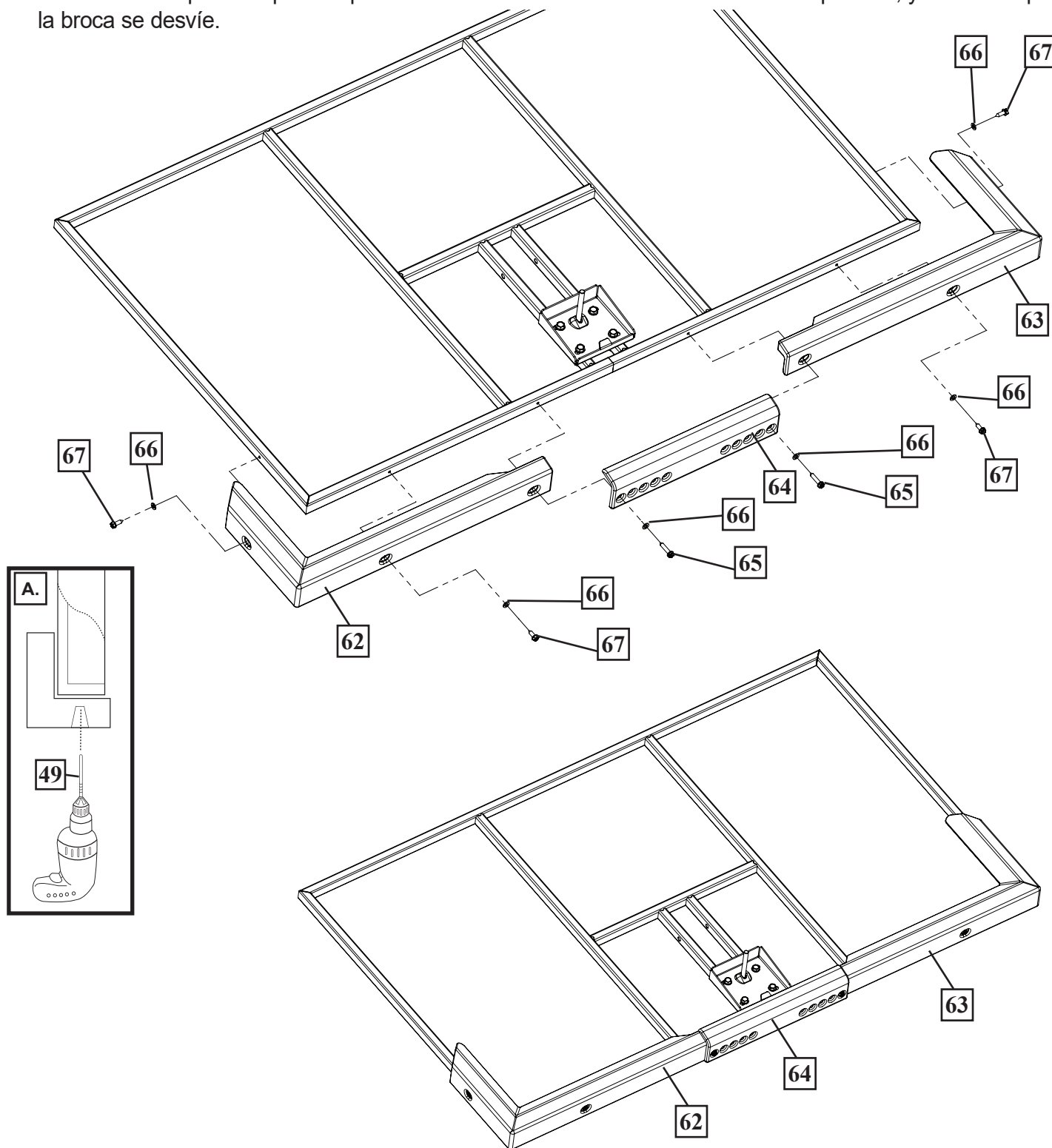
8. Coloque las almohadillas del tablero en el tablero

Mantenga el tablero colocado sobre el caballete o la mesa de apoyo.

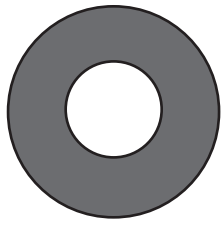
Coloque las secciones izquierda y derecha de la almohadilla en el tablero usando tornillos y arandelas como se muestra.

Utilizando los orificios, que se alinean según el tamaño de su tablero, fije la sección central de la almohadilla en las secciones izquierda y derecha y en el tablero utilizando tornillos y arandelas, tal y como se indica.

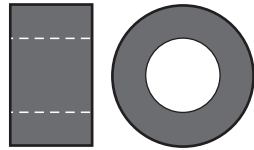
- Puede que sea necesario utilizar una broca 11/64 (49) para preperforar en algunos tableros (Figura A). Se recomienda emplear un punzón para realizar las marcas de los orificios antes de perforar, y así evitar que la broca se desvíe.



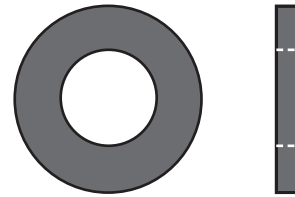
KIT Núm. 5 208871 INCORPORA EL TABLERO - KIT IDENTIFICADOR DE LOS HERRAJES NUM. 5



Núm. 14 (4)



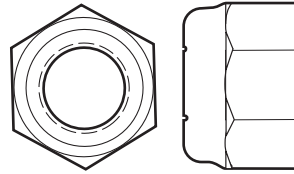
Núm. 20 (2)



Núm. 55 (4)



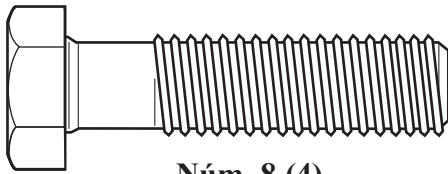
Núm. 29 (1)



Núm. 40 (7)



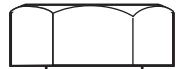
Núm. 58 (1)



Núm. 8 (4)

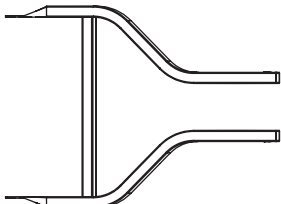


Núm. 57 (1)

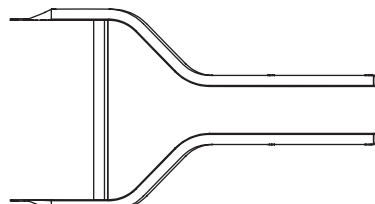


Núm. 43 (3)

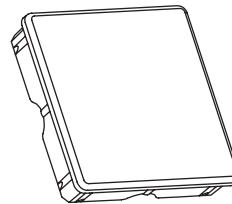
Los elementos no incluidos en el kit, se encuentran en la caja de herrajes.



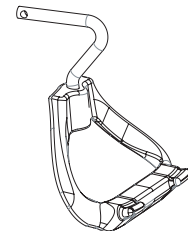
Núm. 42 (1)



Núm. 41 (1)



Núm. 22 (1)

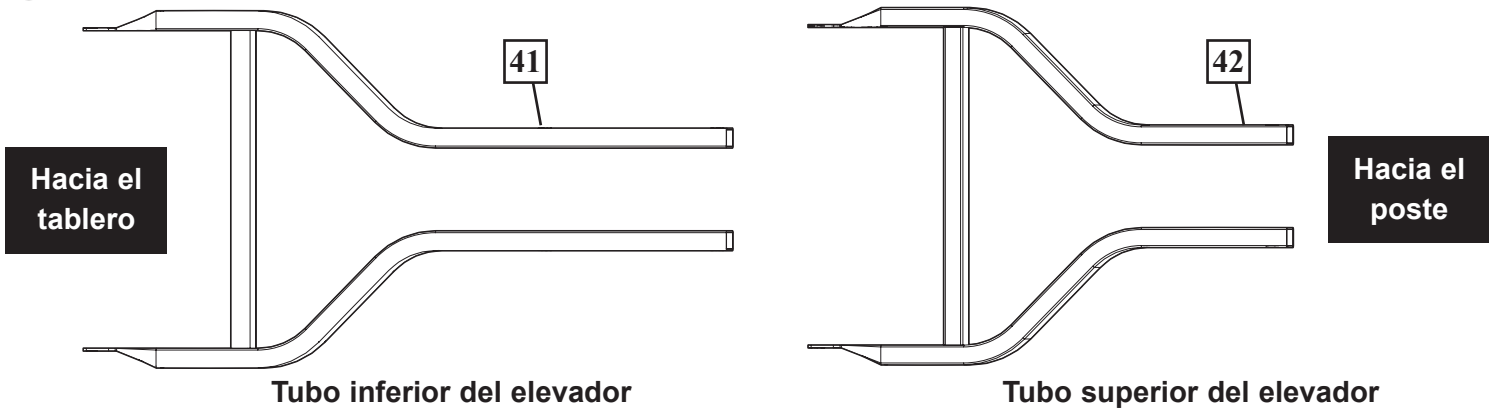


Núm. 60 (1)

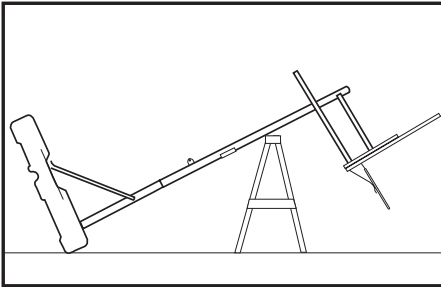
LISTA DE PIEZAS - KIT NÚM. 5

<u>Artículo</u>	<u>Cant.</u>	<u>Pieza Núm.</u>	<u>Descripción</u>	<u>Artículo</u>	<u>Cant.</u>	<u>Pieza Núm.</u>	<u>Descripción</u>
8	4	206665	Perno, cabeza hexagonal, 1/2-13 x 2 de largo	42	1	901645	Brazo elevador, superior - negro
14	4	201651	Espaciador, d. int. 0,5 x 0,25 de largo	43	3	205678	Perno, hexagonal, 1/2-13 x 7" de largo
20	2	205082	Espaciador, d. int 0,530 x 0,38" de largo	55	4	208251	Espaciador, d. int. 0,50 x d. ext. 0,98 x 0,125 de largo
22	1	600052	Tapa, parte superior del poste	57	1	204007	Tuerca, Nylock, M4 x 0,7
29	1	201683	Espaciador, d. int 0,530 x 1,50 de largo	58	1	208762	Perno, hexagonal, M4 x 0,7 x 25 mm de largo
40	7	206340	Tuerca, Nylock, 1/2-13	60	1	600343	Gatillo, elevador
41	1	901649	Brazo elevador, inferior - negro				

9. Identifique los tubos del elevador (41 y 42).



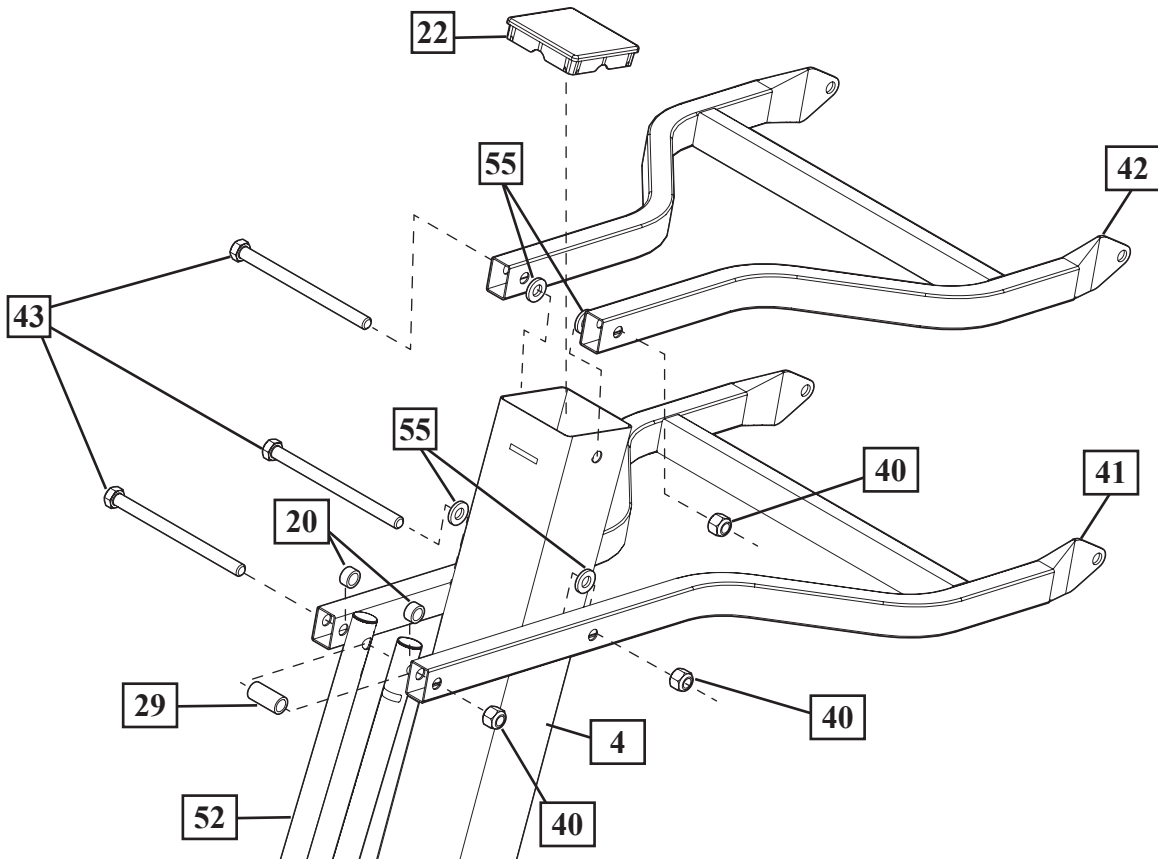
10. Apoye el poste en el caballete. Fije los tubos superiores e inferiores del elevador (41 y 42) a la sección del poste superior (4) utilizando los pernos (43), espaciadores (20) y tuercas (40) como se muestra. Fije los tubos inferiores del elevador (41) a los tubos del elevador vertical del puntal de gas (52) usando el perno (43), los espaciadores (68) y la tuerca (40) como se indica. Fije la tapa del poste (22) como se muestra. Apriete de forma segura todos los pernos en este paso.



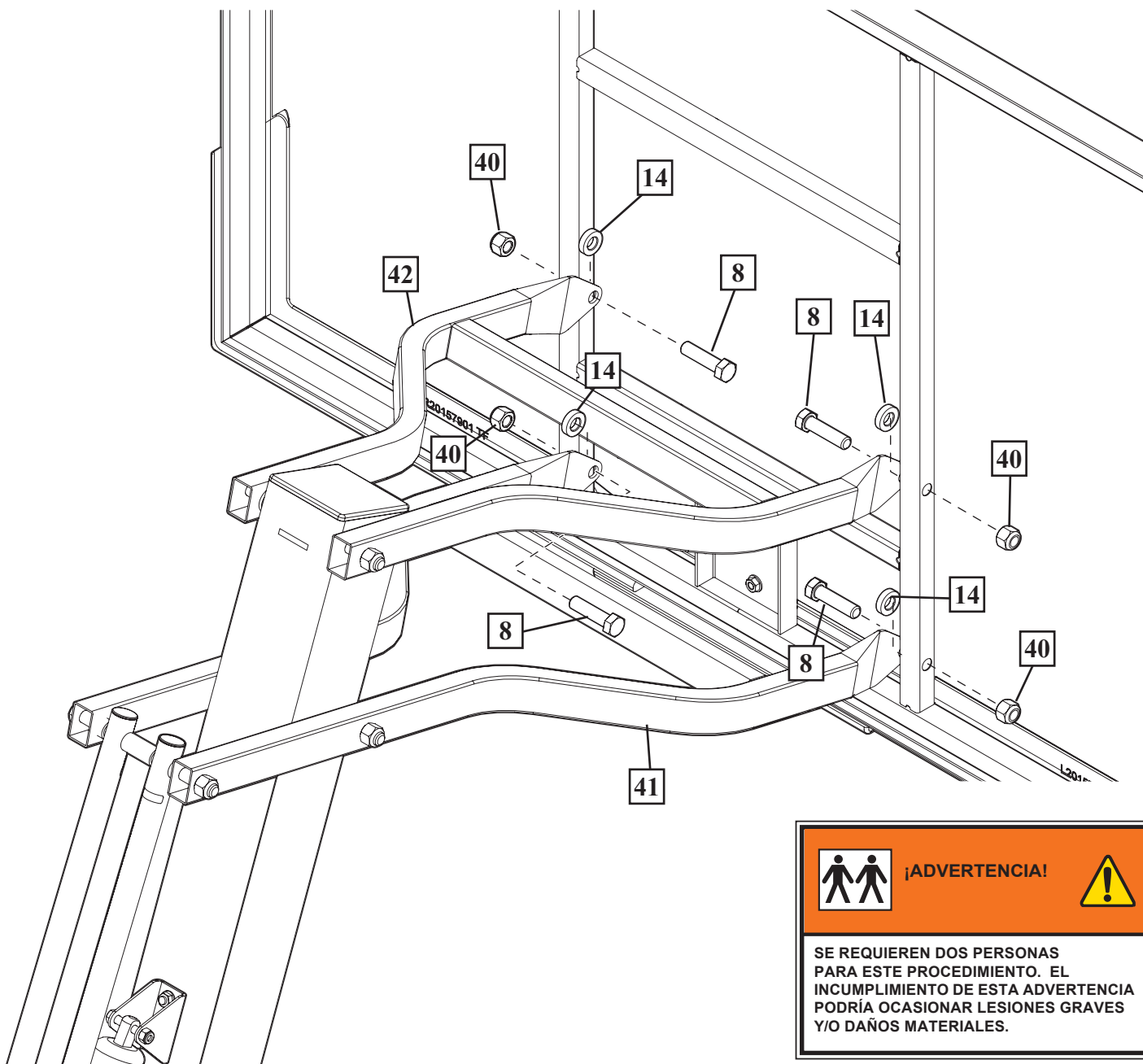
¡ADVERTENCIA!



SE REQUIEREN DOS PERSONAS PARA ESTE PROCEDIMIENTO. EL INCUMPLIMIENTO DE ESTA ADVERTENCIA PODRÍA OCASIONAR LESIONES GRAVES Y/O DAÑOS MATERIALES.



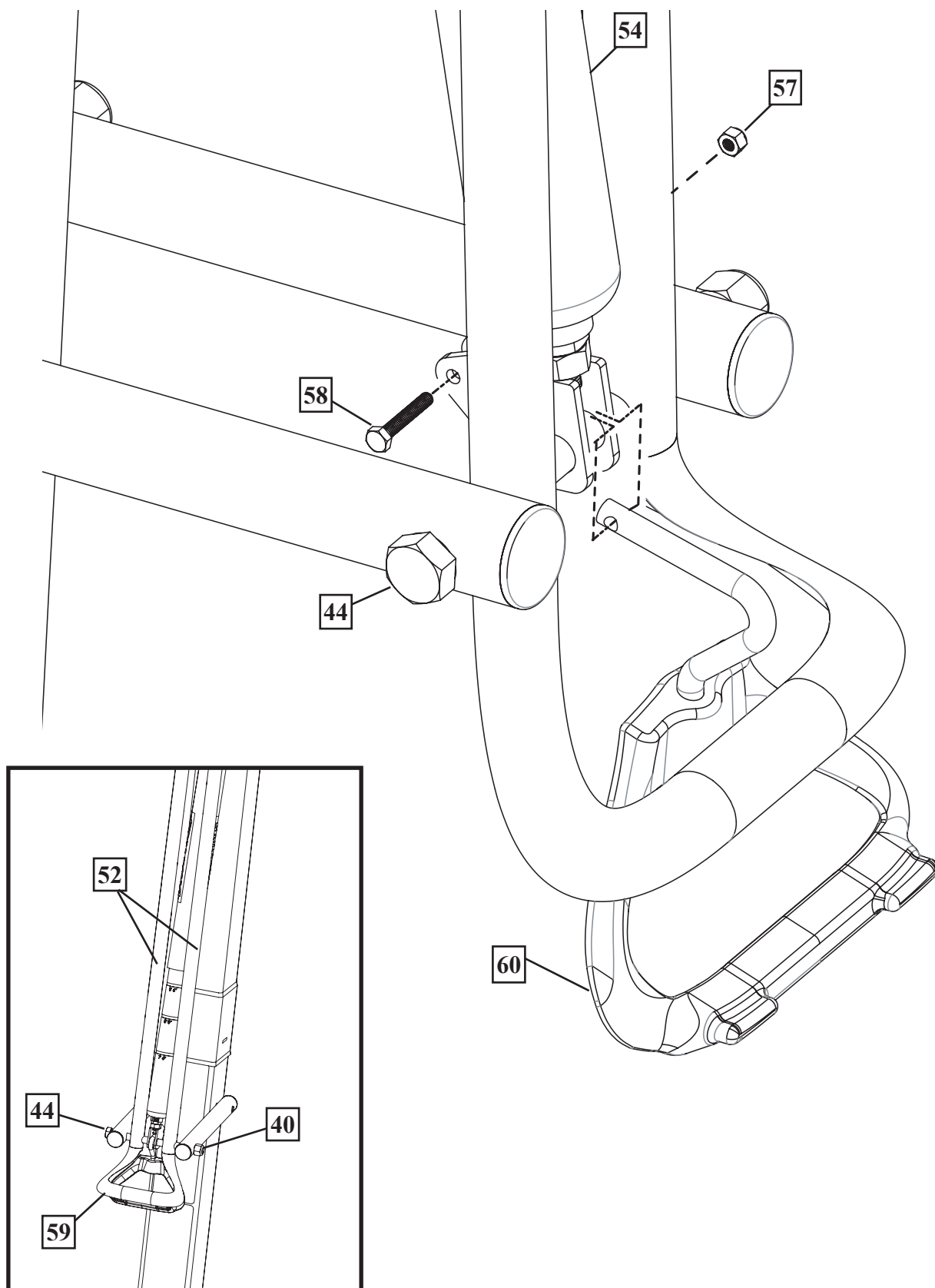
11. Teniendo en cuenta la orientación, fije los tubos inferiores y superiores del elevador (41 y 42) al tablero con espaciadores (14), pernos (8) y tuercas (9) como se muestra. Apriete de forma segura todos los pernos en este paso.



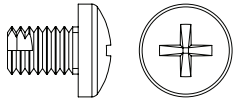
¡ADVERTENCIA!
NO DEJE EL MONTAJE DESATENDIDO CUANDO ESTÉ VACÍO; PUEDE VOLCARSE.

12.

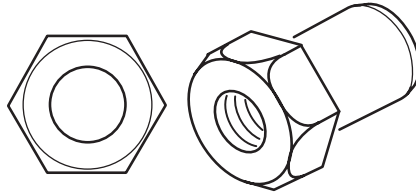
Fije el gatillo (60) en el montaje del puntal de gas (54) utilizando el perno (58) y la tuerca (57). NOTA: EL GATILLO ESTARÁ SITUADO ENTRE LAS PLACAS DEL SOPORTE Y POR ENCIMA DEL PÉRNO (43). AL APRETAR EL GATILLO SE PODRÁ AJUSTAR LA ALTURA DEL ARO.



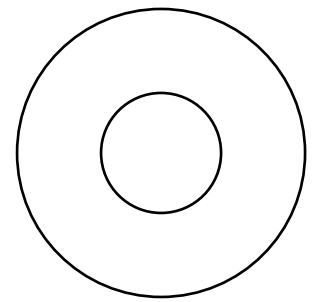
KIT Núm. 6 208877 MONTAJE DE LA CANASTA - KIT IDENTIFICADOR DE LOS HERRAJES NÚM. 6



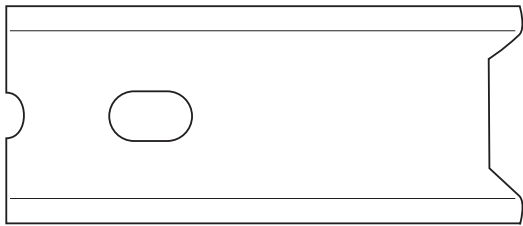
Núm. 48 (2)



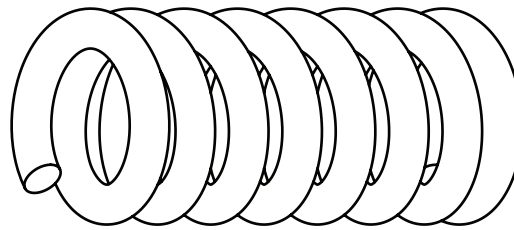
Núm. 36 (1)



Núm. 35 (1)

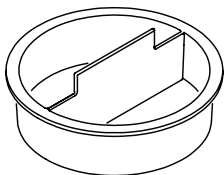


Núm. 31 (1)

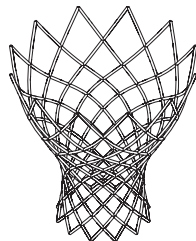


Núm. 30 (1)

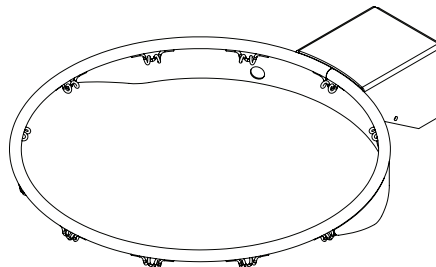
Los elementos no incluidos en el kit, se encuentran en la caja de herrajes.



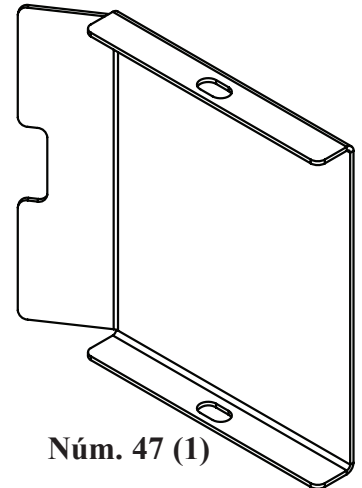
Núm. 24 (1)



Núm. 26 (1)



Núm. 25 (1)



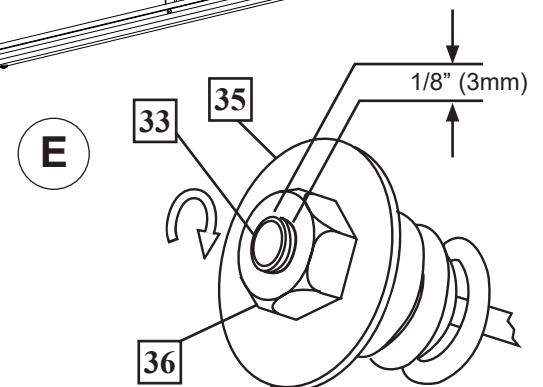
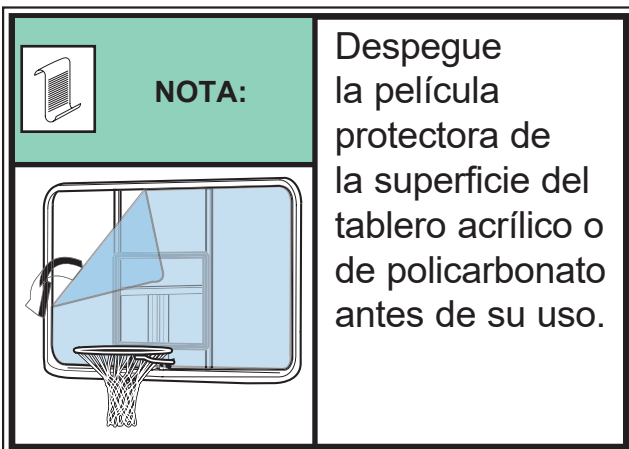
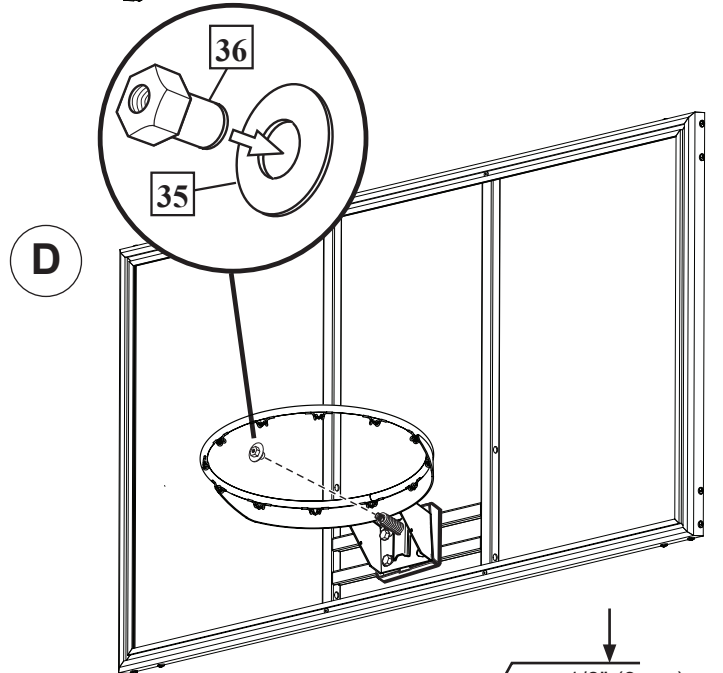
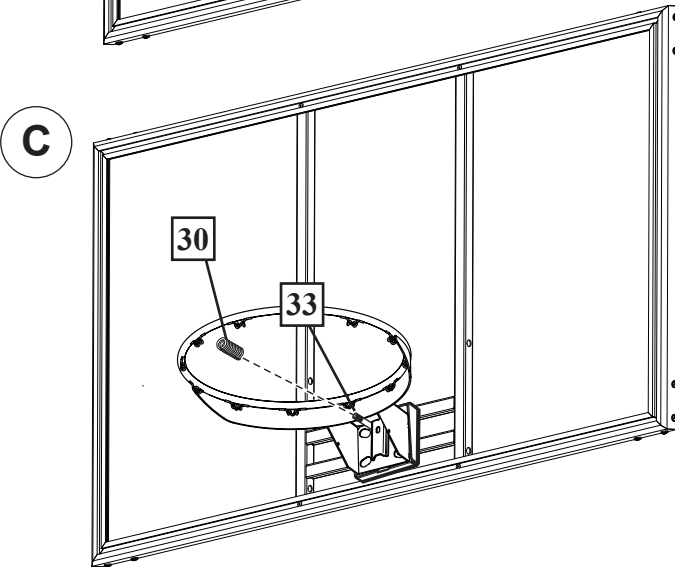
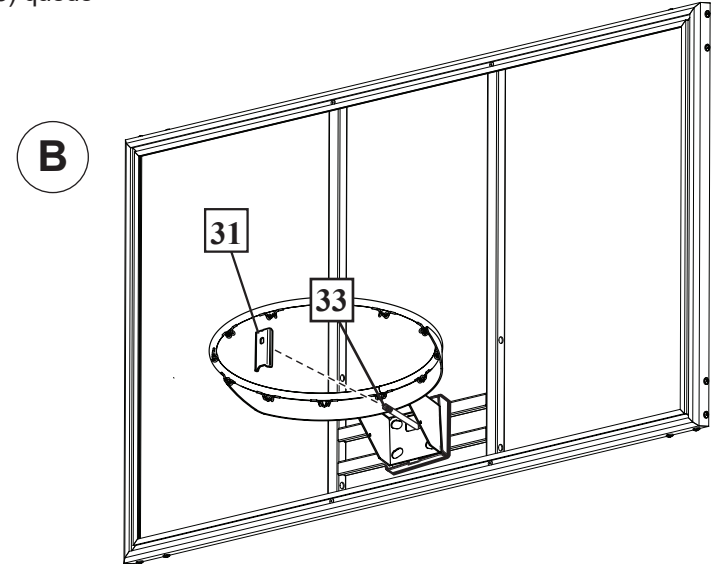
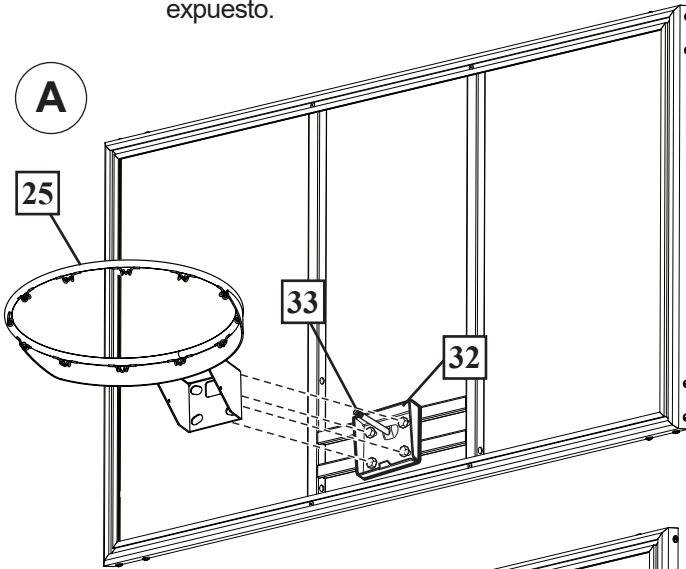
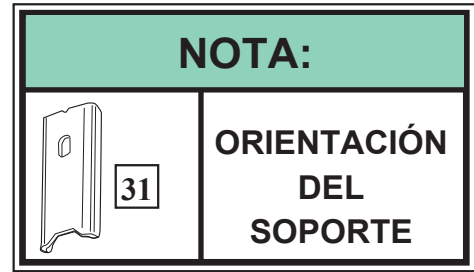
Núm. 47 (1)

LISTA DE PIEZAS - KIT NÚM. 6

<u>Artículo</u>	<u>Cant.</u>	<u>Pieza Núm.</u>	<u>Descripción</u>
24	1	203617	Tapa, base
25	1		Aro
26	1		Red
30	1	208760	Resorte, negro, "Slam Jam"
31	1	200318	Soporte, refuerzo, "Slam Jam"
35	1	203470	Arandela, plana, "Slam Jam"
36	1	203795	Tuerca, especial
47	1	908355	Placa de cubierta, aro
48	2	204558	Tornillo, 1/4 x 0,375" de largo

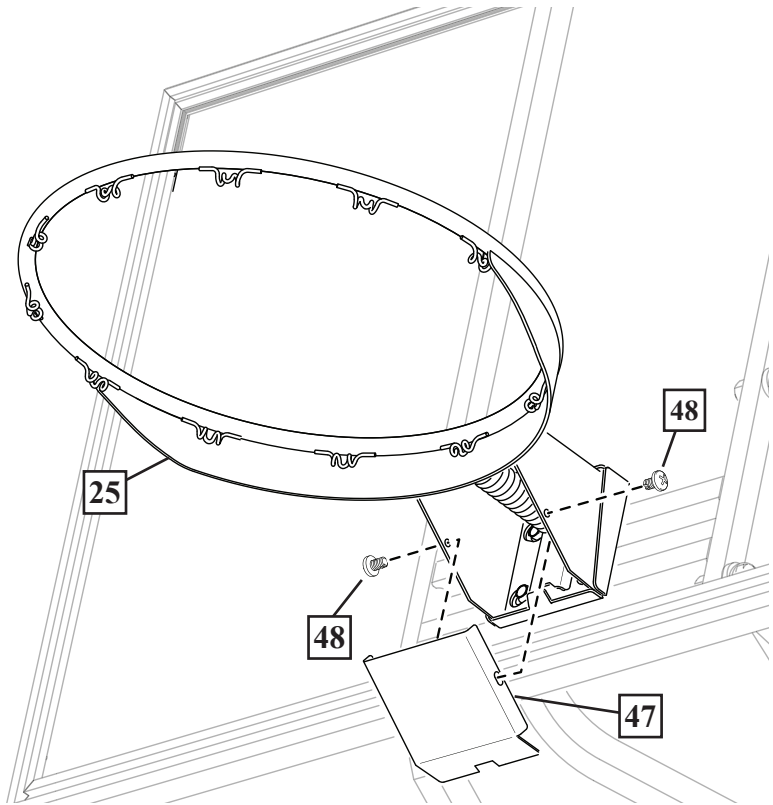
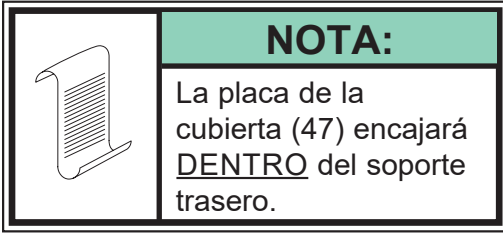
Instale el aro "Slam Jam" en el tablero

- 13.**
- Coloque el aro (25) firmemente en el soporte (32) como se muestra. Permita que el perno en T (33) se deslice a través del orificio central en el aro (25).
 - Instale el soporte de refuerzo (31) en el perno en T (33) como se muestra.
 - Instale el resorte (30) en el perno en T (33) como se muestra.
 - Instale la tuerca especial (36) y la arandela (35) en el perno en T (33).
 - Apriete la tuerca (36) hasta que un 1/8" (3,175 mm) de las roscas del perno en el extremo del perno en T (33) quede expuesto.



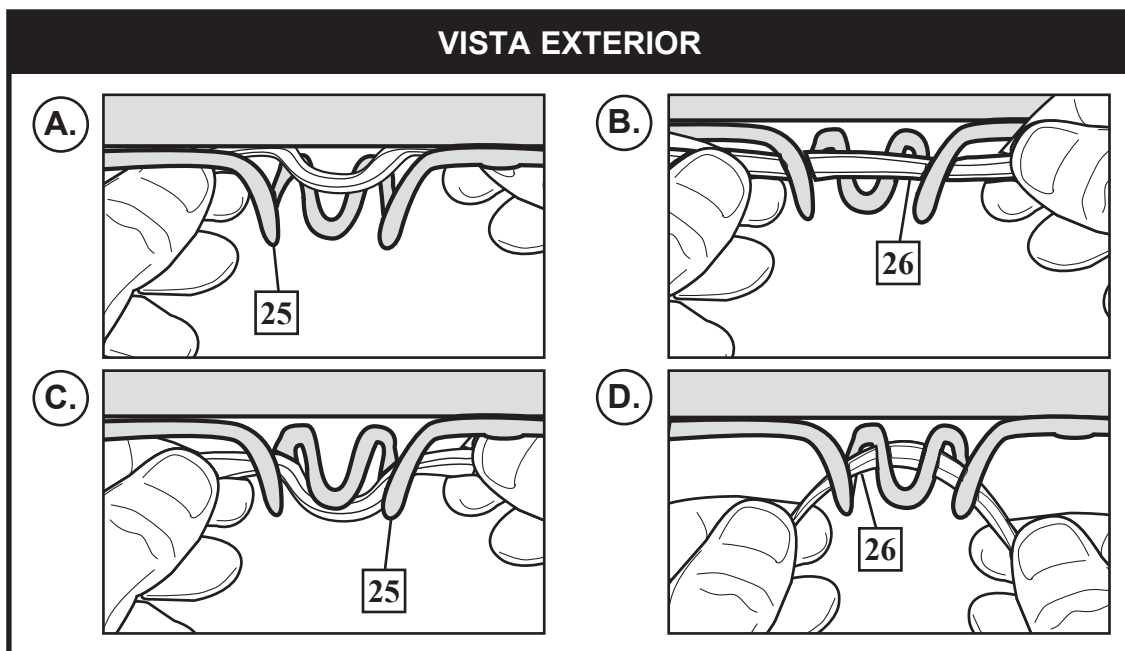
FIJACIÓN DE LA CUBIERTA DEL ARO

14. Instale la cubierta (47) sobre el mecanismo de retorno por resorte con los tornillos (48) como se muestra.

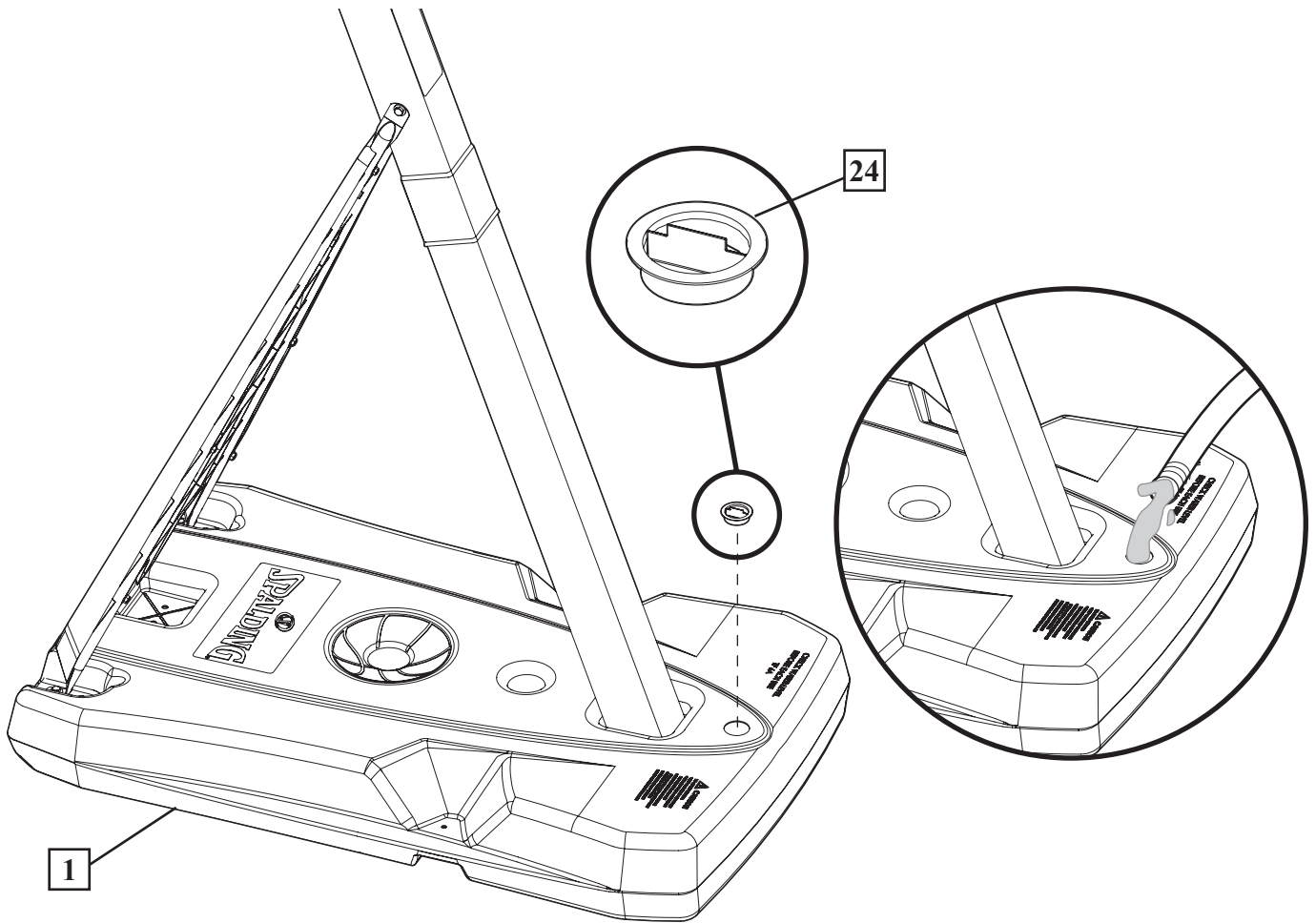


INSTALACIÓN DE LA RED

15. Coloque la red (26) en el aro (25).



- 16. Instrucciones para el llenado con agua:**
Mueva el conjunto completado a la posición deseada. Llene la base (1) con agua (aproximadamente 34 galones / 129 litros) y empuje la tapa (24) de forma segura.



¡ADVERTENCIA!



NO DEJE EL MONTAJE DESATENDIDO CUANDO ESTÉ VACÍO; PUEDE VOLCARSE. SE REQUIEREN DOS ADULTOS CAPACES PARA ESTE PROCEDIMIENTO. EL INCUMPLIMIENTO DE ESTA ADVERTENCIA PODRÍA OCASIONAR LESIONES GRAVES Y/O DAÑOS MATERIALES.



¡PRECAUCIÓN!

AGREGUE 2 GALONES (7,6 LITROS) DE ANTICONGELANTE NO TÓXICO EN CLIMAS CON TEMPERATURAS BAJO CERO. ¡Verifique el nivel del agua ANTES de cada uso!

17. Aplique la etiqueta de ajuste de altura y movilización (21) en la parte delantera del poste como se muestra.

21

AJUSTE DE LA ALTURA

PARA AJUSTAR EL TABLERO:

1. Agarre la manija y presione el gatillo.
2. Suba o baje el tablero hasta alcanzar la altura deseada.
3. Suelte el gatillo.



MOVIMIENTO DEL SISTEMA

1. Ajuste la altura del tablero de baloncesto hasta la posición más baja.
2. Mientras sujeta el poste, gire el sistema de baloncesto hacia adelante hasta que las ruedas toquen el suelo.
3. Mueva el sistema de baloncesto hasta la ubicación deseada.
4. Con cuidado, vuelva a poner el sistema de baloncesto en posición vertical.
5. Compruebe que el sistema está estable.

SP500065 06/19



¡ADVERTENCIA!

NO PERMITA QUE NIÑOS AJUSTEN LA ALTURA.

