

SWAGTRON®

USER MANUAL

Ver. 2.0 3/18/19

In order to continue serving our customers and providing the best products, our product information including our user manuals may receive updates from time to time. Please check our website for the latest user manuals and product materials.



K6

4-in-1 Kick Scooter & Balance Bike

PROTECT YOUR DOME

HELMETS SAVE LIVES

Helmets can reduce 85% of critical head injuries.

Elbow pads can reduce 82% of elbow injuries.

Knee pads can reduce 32% of knee injuries.

From <https://www.ncbi.nlm.nih.gov/pubmed/2716781>

Always wear proper protective gear when riding. This includes knee and elbow pads and an age-appropriate helmet.

- Helmets should fit comfortably and snugly, covering the forehead but not hindering your field of vision.
- The helmet should have a chin strap and buckle to keep the helmet in place.
- The helmet should be made out of a hard, protective outer shell and an impact-absorbing inner layer at least 1/2-inch thick.
- The helmet should be approved by the U.S. Consumer Product Safety Commission (CPSC), the Snell Memorial Foundation, or the American Society for Testing and Materials (ASTM).



Thank you for your purchase of the K6 4-in-1 Kick Scooter & Balance Bike.

Before operating this scooter, please read all instructions. This manual will walk you through the functions, usage and proper care of your SWAGTRON® K6. If you have any questions or cannot find the information you need in the manual, please contact your place of purchase or our customer service at 1-844-299-0625.

Happy Riding!

-The SWAGTRON® Team

Table of Contents

Box Contents.....	1
Product Overview.....	2
Attaching the Handlebar.....	4
Assembling Front Wheel.....	5
Assembling Rear Wheel(s).....	6
Switching Modes.....	8
Using the Scooter.....	9
Bike Mode.....	9
Scooter Mode.....	10
Practicing Guidelines.....	10
Safety Information.....	11
Warnings.....	12
Specifications.....	16

Box Contents



Main Body x 1



Handlebar x 1



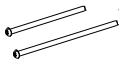
Hex Keys x 2



Front Wheel x 1



Rear Wheel x 1



Axles x 2



Screw x 1



Cover x 1



Front Wheel
Spacers x 2



Rear Wheel
Spacers x 2



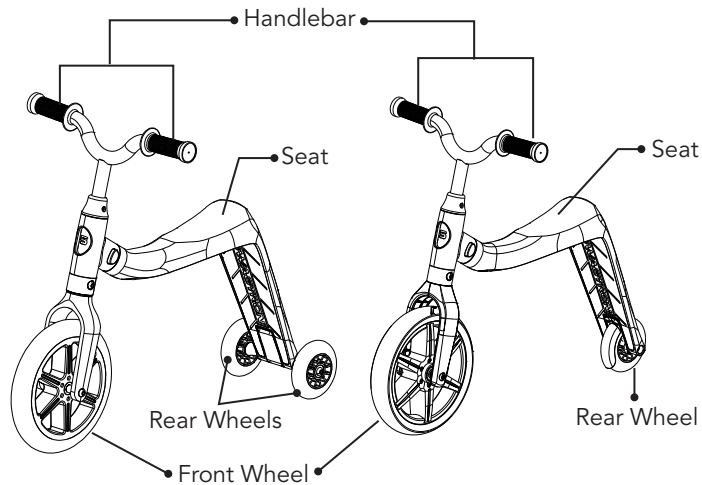
User Manual x 1



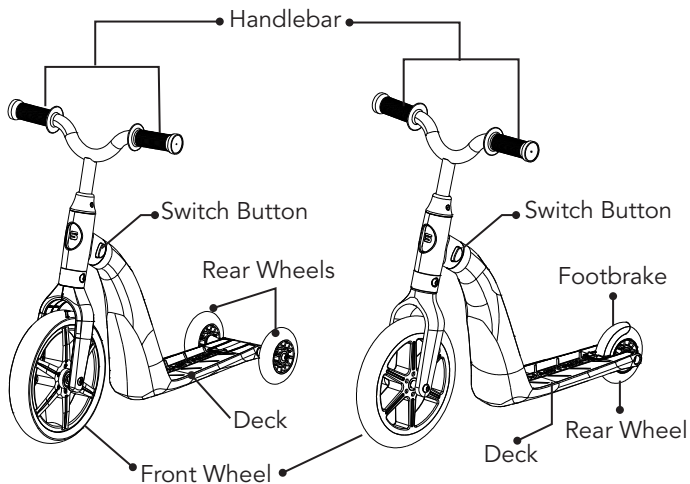
Some parts may come pre-attached.

Product Overview

Bike Mode



Scooter Mode

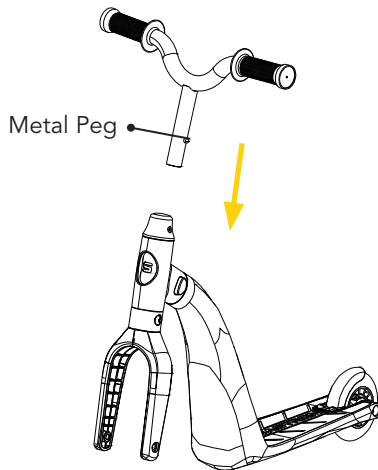


Attaching the Handlebar

Align the handlebar and stem with the front of the K6. Press the metal peg down while inserting the stem into the main body of scooter.

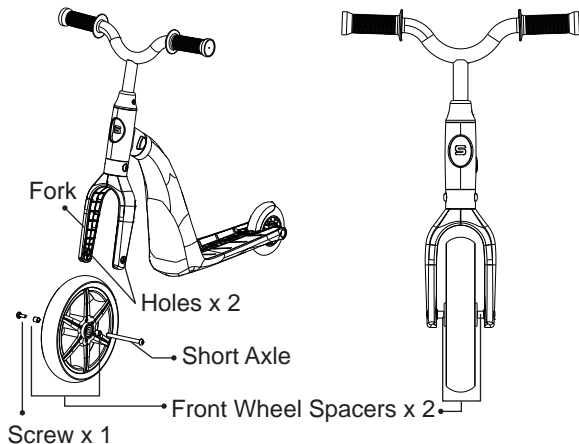


The metal peg **MUST** pop into its designated hole before the K6 can be ridden.




Assembling Front Wheel

- Take the biggest wheel from the package, and slide it into the fork.
- Slide the short axle through the hole at one side of the fork.
- Add 1x spacer to the short axle and slide it through the hole in the center of the wheel.
- Add 1x spacer to the other side of the axle, then slide the axle through other side of fork.
- Add 1x screw to the end of axle.
- Use the hex keys to tighten the screw into the short axle.



Assembling Rear Wheel(s)

 The K6 comes in Scooter mode with one rear wheel pre-assembled.

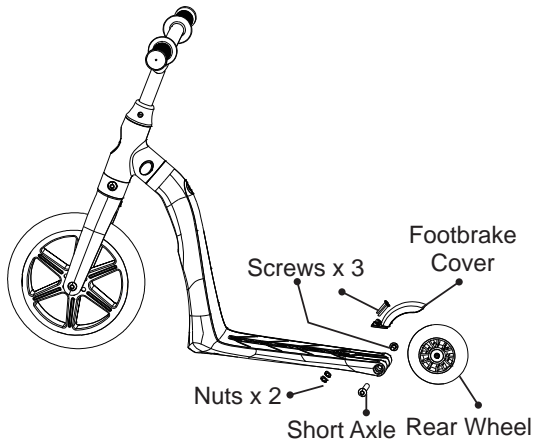
Detaching / Attaching One Rear Wheel

To Detach:

- Use the hex keys to remove the nuts, spacers, and short axle. Save parts for later reattachment as needed.

To Attach:

- Slide one wheel into the slot at the end of the deck.
- Slide the short axle through the holes in the deck and the center of the wheel.
- Add 1x screw to the other side of the axle.
- Use the hex keys to tighten the screw into the axle.
- Align the footbrake cover with the wheel and its two designated holes in the deck.
- Add the two remaining screws and use the screwdriver to tighten.



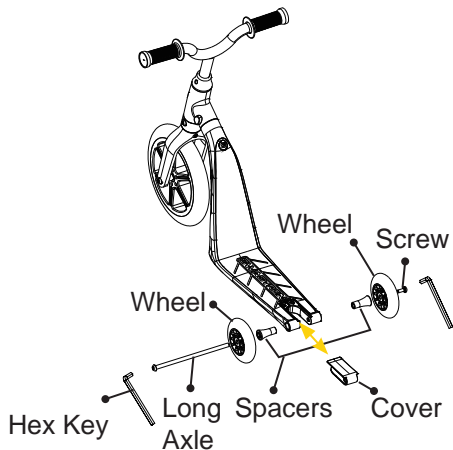
Detaching / Attaching Two Rear Wheels

To Detach:

- Use the hex keys to remove the wheels, spacers, and long axle. Save parts for later reattachment as needed.

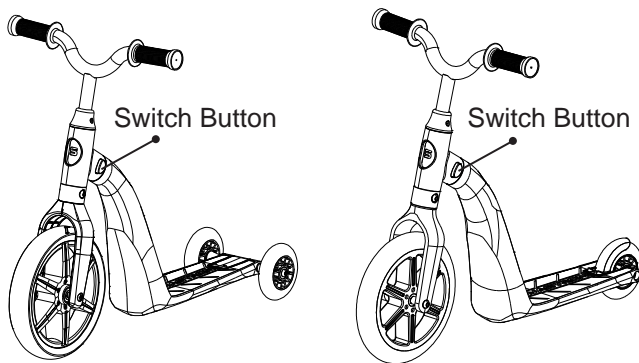
To Attach:

- Slide the cover into the slot at the end of the deck.
- Add 1x wheel and 1x spacer to the long axle and slide it through the holes in the deck and cover.
- Add 1x spacer, 1x wheel, and 1x screw (removed from scooter mode) to the other side of the axle.
- Use the hex keys to tighten the screw into the axle.



Switching Modes

- At the turning point near the stem, push the switch button and turn the deck/seat 180 degrees. The deck should face up for Scooter Mode while the seat should face up for Bike Mode.



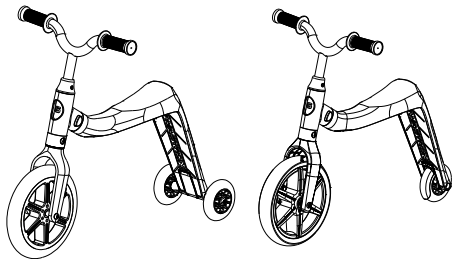
Using the Scooter



- ALL riders, regardless of age, should always wear an ASTM F1492 approved helmet and protective gear at ALL times.
- Do not allow users over 55lb (25kg) to ride the K6.
- Supervise children at all times while the scooter is being used.
- Inform your child of instructions and safety guidelines before allowing them to ride.

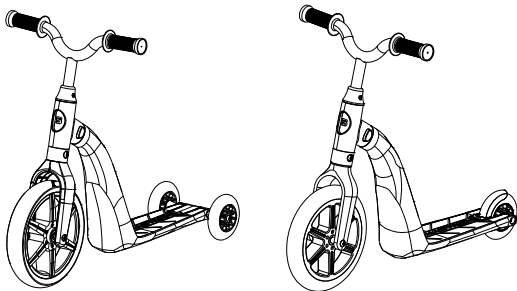
Bike Mode

- Grip both handles firmly.
- Sit down on the seat.
- With both feet, push off the ground to move the K6 forward.
- Both feet can leave the ground when desired speed has been reached.
- To stop, step on the ground with both feet.



Scooter Mode

- Grip both handles firmly.
- Place one foot towards the front of the deck.
- With your other foot, push off the ground to propel the scooter forward.
- Both feet can fit on the deck when the desired speed has been reached.
- To stop, step on the ground with one foot, or press down on the rear footbrake.



Practicing Guidelines

- Wear casual clothing and flat shoes to maintain flexibility and stability.
- Practice until you can get on, move forward, turn, stop, and dismount with ease.
- The scooter is designed for relatively smooth, flat terrain. Slow down if riding on uneven terrain.
- Avoid riding in places with pedestrians or obstacles.

Safety Information

The SWAGTRON® K6 4-in-1 Kick Scooter & Balance Bike is a personal scooter designed for children ages two to five years old. By operating the scooter, the user and/or parent or guardian acknowledges and accepts responsibility of all risks associated with the use of the SWAGTRON® K6 4-in-1 Kick Scooter & Balance Bike, which may include, but are not limited to, muscle injuries, broken bones, lacerations, serious injury, and possible death. For their protection, riders should always wear appropriate protective gear and follow all instructions in this manual.

- The K6 is a non-motorized kick scooter designed for a single rider only. It is not intended or equipped for road use, off-road use, or use with any motorized device.
- Riders should wear age-appropriate protective gear, which includes knee pads, elbow pads, and an ASTM F1492 approved helmet.
- Check that all screws and fittings are secure before giving the scooter to a child.
- Regular maintenance enhances product longevity and durability.
- Use on flat, dry surfaces that are free from obstruction. Avoid pedestrians and unstable surfaces.
- Use the with caution. Riding requires skill and practice to avoid falls and collisions.
- Use the scooter at your own risk. SWAGTRON® shall not be held responsible for misuse.
- Do not perform stunts or dangerous maneuvers with the scooter.

Warnings



- Use with adult supervision at all times when in use.
- Keep fingers away from moving parts to avoid pinching and entrapment.
- Never allow more than one person at a time on the scooter.
- Obey all outdoor regulations. Always give right of way to pedestrians. Never ride at night.
- Be careful when riding on wet pavement as braking and wheel traction may be affected.
- Do not modify the scooter in any way not outlined in these instructions.
- Screws and fixtures may loosen over time. Check and tighten periodically.

90-Day Limited Hardware Warranty

Your SWAGTRON® K6 4-in-1 ("Product") includes a 90-Day Limited Hardware Warranty ("Warranty"). The Warranty covers product defects in materials and workmanship under normal use. This Warranty is limited to residents of the United States (Excluding Hawaii, Alaska and US Territories) and Canada only and is available only to original purchasers. This Warranty gives you specific legal rights and you may also have other rights which vary from state to state.

This Warranty starts on the date of your purchase and lasts for ninety (90) days ("Warranty Period"). The Warranty Period is not extended if the Product is repaired or replaced. We may change the availability of this limited warranty at our discretion, but any changes will not be retroactive.

Warranty services are provided by SWAGTRON®. If a hardware defect arises and a valid claim is received within the Warranty Period, at its option and to the extent permitted by law, SWAGTRON® will: (1) repair the hardware defect by using new or refurbished parts that are equivalent to new in performance and reliability; or (2) exchange the Product with a product that is new or refurbished which is substantially equivalent to the original product. This Warranty is for one replacement only of like-items and does not cover items out of

production if the product is no longer made or stocked. This Warranty is not assignable or transferable. The original purchaser may call SWAGTRON's toll-free number at 1-844-299-0625 for service request.

When a product or part is exchanged, any replacement item becomes your property and the replaced item becomes SWAGTRON®'s property. This warranty only covers technical hardware defectiveness during the warranty period and under normal use conditions. SWAGTRON® does not warrant uninterrupted or error-free operation of this Product.

Return shipping shall only be provided for Products dead on arrival ("DOA") within 30 days of purchase only. All other returns/repairs shall require payment of shipping cost at discounted rate to be determined as follows:

SWAGTRON® E-Scooters, and Hoverboards shall be Twenty Dollars (\$20)**
SWAGTRON® K-Line shall be Eight Dollars (\$8)**

**shipping prices are subject to change without further notice.

This Warranty does not cover any damage due to: (a) transportation; (b) storage; (c) improper use; (d) failure to follow the product instructions or to perform any preventive maintenance; (e) modifications; (f) unauthorized repair; (g) normal wear and tear(including

but not limited to wearables and other consumable parts such as tires); or (h) external causes such as accidents, abuse, or other actions or events beyond our reasonable control.

Important: Do not disassemble the Product. Disassembling the Product will void this Warranty. Only SWAGTRON® or a party expressly authorized by SWAGTRON® should perform service on this Product.

DISCLAIMER OF WARRANTY: THE REMEDIES DESCRIBED ABOVE ARE YOUR SOLE AND EXCLUSIVE REMEDIES AND OUR ENTIRE LIABILITY FOR ANY BREACH OF THIS LIMITED WARRANTY. OUR LIABILITY SHALL UNDER NO CIRCUMSTANCES EXCEED THE ACTUAL AMOUNT PAID BY YOU FOR THE DEFECTIVE PRODUCT, NOR SHALL WE UNDER ANY CIRCUMSTANCES BE LIABLE FOR ANY CONSEQUENTIAL, INCIDENTAL, SPECIAL OR PUNITIVE DAMAGES OR LOSSES, WHETHER DIRECT OR INDIRECT.

SOME STATES DO NOT ALLOW THE EXCLUSION OR LIMITATION OF INCIDENTAL OR CONSEQUENTIAL DAMAGES, SO THE ABOVE LIMITATION OR EXCLUSION MAY NOT APPLY TO YOU.

THE DURATION AND REMEDIES OF ALL IMPLIED WARRANTIES, INCLUDING WITHOUT LIMITATION THE WARRANTIES OF MERCHANTABILITY AND FITNESS FOR A PARTICULAR PURPOSE ARE LIMITED TO THE DURATION OF THIS EXPRESS LIMITED WARRANTY.

Specifications

Item	Parameters
Material(s)	Fiber, Nylon, Iron
Dimensions	27 x 14.8 x 22.2 in. / 685 x 376 x 565 mm
Wheels	Front Wheel: 235mm, Rear Wheel: 95mm
Product Weight	6.4 lb / 2.9 kg
Maximum Load	55 lb / 25 kg
Recommended Ages	2~5
Certifications	ASTM F963

SWAGTRON®

COPYRIGHT © 2019 SWAGTRON. ALL RIGHTS RESERVED.