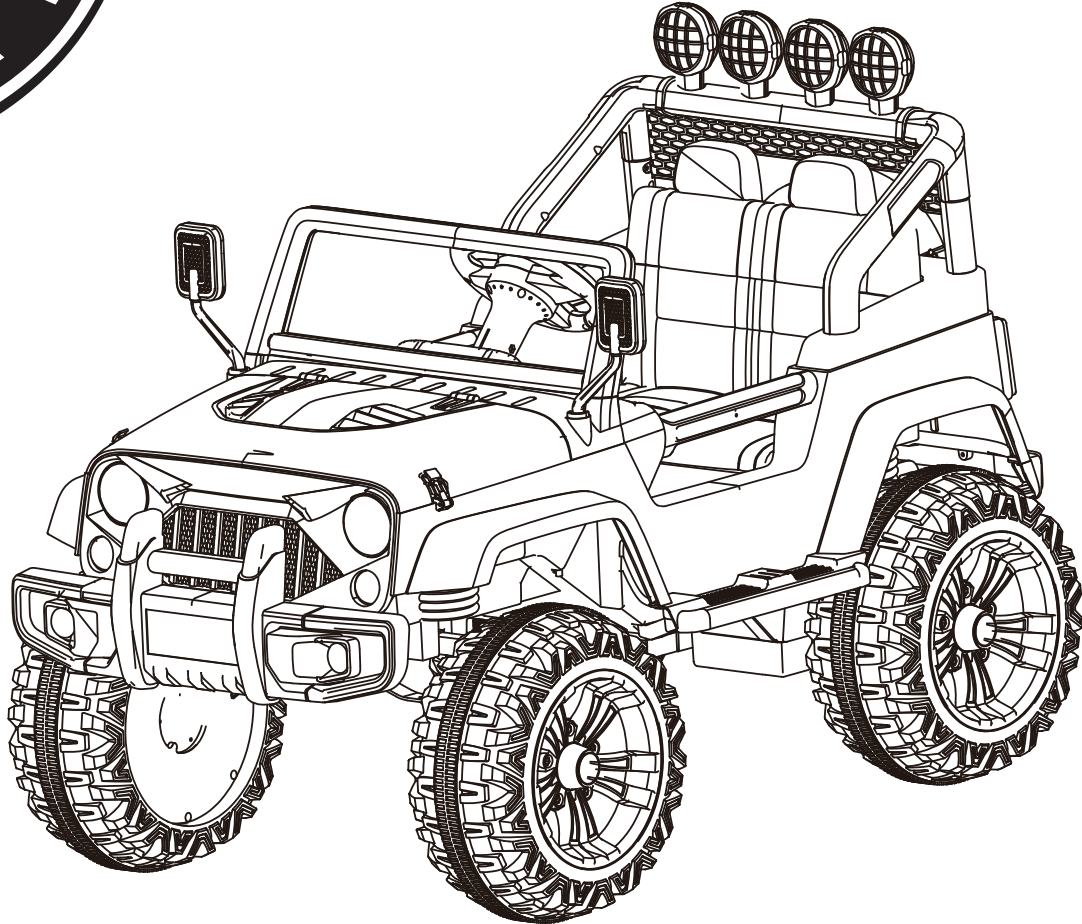




# POWERSPORT TRAIL THUNDER



## Owner's Manual and Assembly Instructions

Model #: W463 W463-G

Read and understand the entire manual before assembly and operation. The vehicle must be assembled by an adult who has read and understood the instructions.

Made in China.

Styles and colors may vary. Before returning your product to the store, please contact our Customer Service team.

Call 1-888-982-9309 for assistance and replacement parts.

**IMPORTANT:**  
Save this manual with your sales receipt.





# Introduction

Thank you for purchasing this Rollplay vehicle. We hope the rider enjoys it for miles to come. Please read this instruction manual carefully before assembling and operating the vehicle.

Please keep your sales receipt and register your product at [www.rollplay.com](http://www.rollplay.com).

Please contact Rollplay Customer Service with any questions. Have your model number and serial number ready before calling. Please also have proof of purchase ready.

HOURS: 8 AM - 5 PM EST. Monday - Friday.

Phone: 1-888-982-9309

Email: [customerservice@rollplay.com](mailto:customerservice@rollplay.com)

Web: [www.rollplay.com](http://www.rollplay.com)

## Specifications:

BATTERY	12 V 7 AH
MOTOR	12V
AGE	3 years and up
MAX WEIGHT	77 lb (35 kg)
PRODUCT SIZE	48 x 29.53 x 33.86 in (122 x 75 x 86 cm)
SPEED	Up to 4 mph (6.5 km/h)
RECHARGE TIME	8-12 Hours
TYPICAL RUN TIME	1 Hour
CHARGER OUTPUT	DC 12.0 V 1.0 A

# IMPORTANT!

**YOU MUST CHARGE THE BATTERY FOR 24 HOURS BEFORE FIRST USE!**

Charge the battery after each use.

Charge the battery at least once a month, even if the vehicle is not in use.

**BEFORE YOU RETURN YOUR  
PRODUCT TO THE STORE,  
CONTACT ROLLPLAY WITH  
QUESTIONS**

Call Customer Service if you need assistance or replacement parts. Please have your model number and serial number ready before calling. Please have proof of purchase. Keep your sales receipt and register your product at [www.rollplay.com](http://www.rollplay.com) as we require proof of purchase.

Email [customerservice@rollplay.com](mailto:customerservice@rollplay.com) or  
call customer service 1-888-982-9309

**Read this entire manual to ensure proper assembly and safe operation of the vehicle.**

# Table of Contents

<b>Safety</b> .....	5
<b>Parts</b> .....	7
<b>Charging Instructions</b> .....	8
<b>Attach the Steering Rod</b> .....	9
<b>Attach the Front Bumper</b> .....	10
<b>Assemble the Front Rear Wheel</b> .....	11
<b>Attach the Steering Wheel</b> .....	12
<b>Attach the Windshield</b> .....	13
<b>Attach the Seat</b> .....	14
<b>Install the Storage Compartment</b> .....	15
<b>Attach the Light Bar</b> .....	16
<b>Product Features</b> .....	17
<b>Maintenance</b> .....	18
<b>General Care</b> .....	19
<b>Troubleshooting Guide</b> .....	20
<b>FCC Information</b> .....	22
<b>Service and Repairs</b> .....	23
<b>Warranty</b> .....	24
<b>Product Registration</b> .....	26



## **WARNING: SAFETY RIDING RULES**

The user must follow all safety rules and guidelines, or serious injury or death may occur to the user.

- Always use common sense and safe practices when using the vehicle. The user must be at least 3 years old and weigh no more than 35 kg (77 lb).
- This product contains small parts that are for adult assembly only. Keep small children away when assembling. Remove and dispose of all protective material and plastic bags before assembly.
- Riders must always wear a fitted helmet that complies with U.S. Consumer Product Safety Commission (CPSC) Standard 16 CFR 1203.
- Only sit on the seat in the vehicle.
- Do not allow more than one rider.
- Do not overload the vehicle. Do not remove the weight restriction decals.
- Do not pull the vehicle with another vehicle or similar device.
- Keep body parts such as hands, legs, hair and clothing away from moving parts. Moving parts can cause serious injury.
- Always wear shoes in the vehicle.
- Do not operate near streets or motor vehicles.
- Do not operate near drop-offs such as steps, steep inclines or hills. Operate on relatively level ground.
- Do not operate near water, swimming pools or other bodies of water.
- Do not operate in dangerous weather conditions such as rain or snow.
- Do not operate near loose dirt, mud, sand or fine gravel.
- Do not operate near flammable vapours (gasoline, paint thinner, acetone, etc.).
- Always use the vehicle in a safe, secure environment with adult supervision.

### **PREVENT INJURIES AND DEATHS:**

**NEVER LEAVE CHILD UNATTENDED. ALWAYS** keep child in view when child is in vehicle. Direct adult supervision is **REQUIRED**.

**NEVER** use in roadways, near cars, on or near steep inclines or steps, swimming pools or other bodies of water.

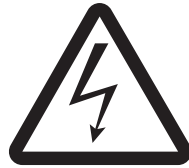
**ALWAYS** wear shoes. **ALWAYS** sit on the seat. **RISK OF FIRE.** Do not bypass. Remove batteries if product is to be left unused for a long time; Always replace the whole set of batteries at one time, taking care not to mix old and new ones, or batteries of different types.

## **WARNING: BATTERY SAFETY**

- Battery posts, terminals and related accessories contain lead and lead components. **DO NOT** open the battery.



- Contact exposure to battery leakage (lead acid) may cause serious injury. Immediately contact your doctor if exposure occurs. If the chemical is on the skin, flush immediately with cool water for 15 minutes. If the chemical is swallowed, immediately give the person water or milk. Do not give water or milk if the person is vomiting or has decreased alertness. Do not induce vomiting.



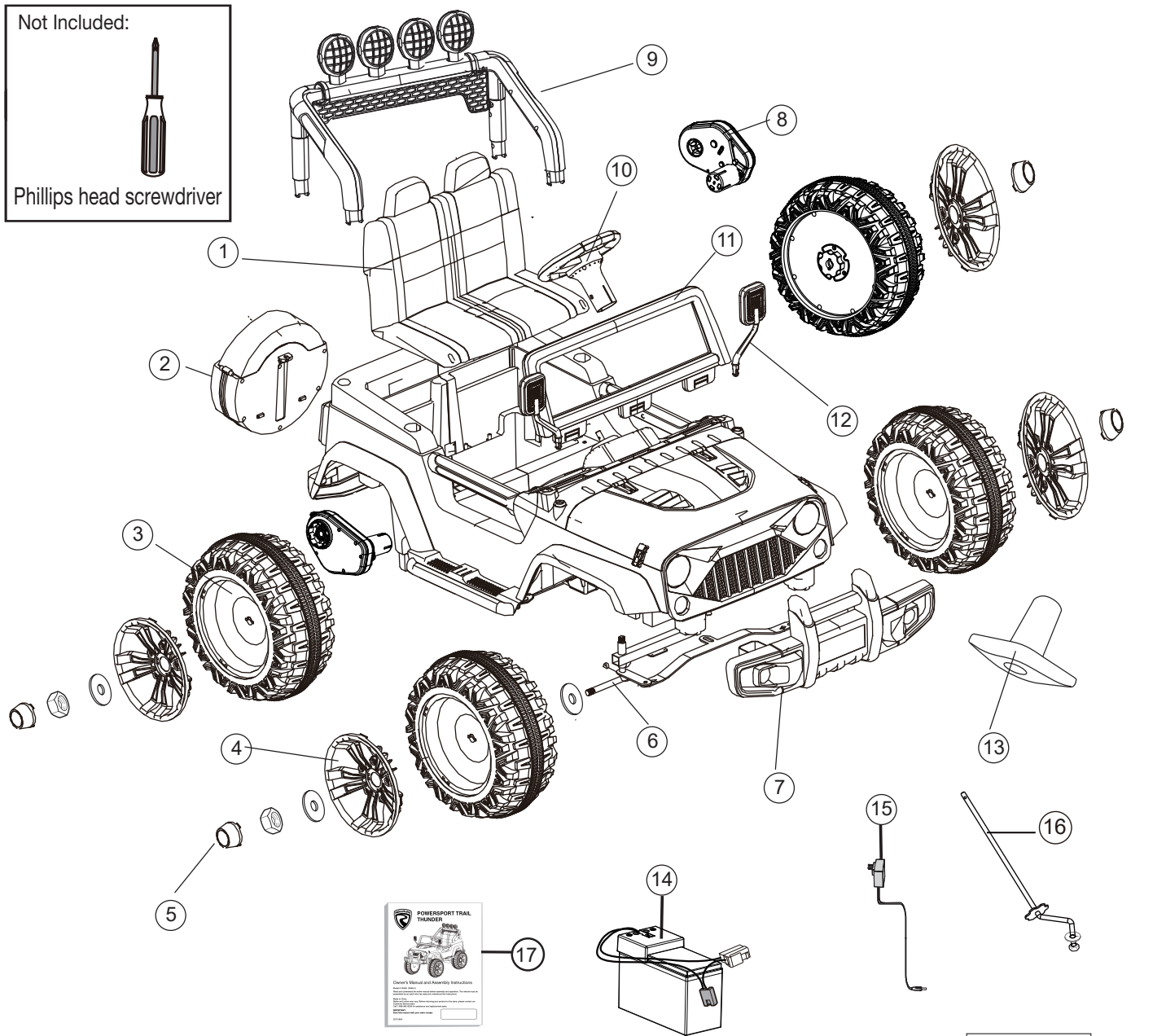
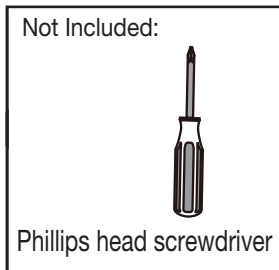
- Tampering with or modifying the electric circuit system may cause shock, fire or explosion. It could permanently damage the system. Keep the charger housing closed to prevent exposed wiring, which may cause electric shock.

**IMPORTANT:** Before using the vehicle for the first time, the battery must be charged for a full 24 hours (no more than 30 hours).

## **WARNING: ADULT SUPERVISION REQUIRED**

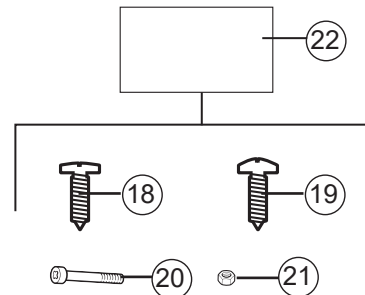
- Before using the vehicle, the rider must understand the vehicle controls and safety issues.
- It is the responsibility of the adult to educate the child and to determine if the child is capable of understanding the vehicle controls.
- An adult must **ALWAYS** directly supervise the use of this vehicle.
- **NEVER** leave a child unsupervised in the vehicle.

# 7 Parts



- 1. Seat
- 2. Storage Compartment
- 3. Wheels (x4)
- 4. Wheel Covers (x4)
- 5. Wheel Caps (x4)
- 6. Front Axle Frame
- 7. Front Bumper
- 8. Gear Box (x2)
- 9. Light Bar
- 10. Steering Wheel
- 11. Windshield
- 12. Side Mirrors (x2)
- 13. Hex Wrench
- 14. Battery
- 15. Charger
- 16. Steering Rod

- 17. Manual
- 18. Brazier-Head Screw(x1)
- 19. Button-Head Screw (x22)
- 20. Steering Rod Screw
- 21. Nuts
- 22. Blister Pack



Note:  
Parts 18-21 ship in the Blister Pack (22)



## YOU MUST CHARGE THE BATTERY FOR 24 HOURS BEFORE THE FIRST USE!

**ONLY AN ADULT SHOULD HANDLE THE BATTERY AND CHARGER.**

### To Charge the Battery:

1. Ensure the car is stopped and the power is turned off.
2. Open the engine cover by unlocking the clasps on each side and lifting the hood. Then, connect the battery (wires A and B in Figure 1).
3. Close the hood and secure it with two short Button-Head Screws (19) on the clasps (Figure 2).
4. To charge the vehicle, plug the included charger (15) into the port on the dashboard and plug the charger into a 120 V outlet (Figure 3). Do not use the vehicle while it is charging.

Figure 1

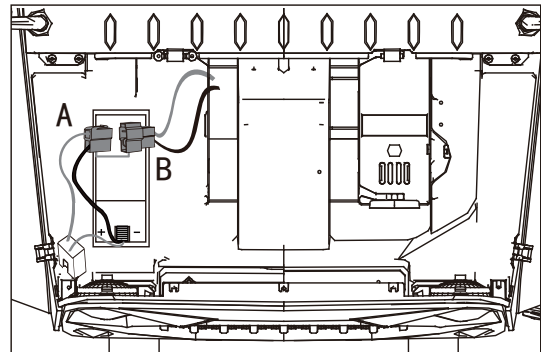


Figure 2

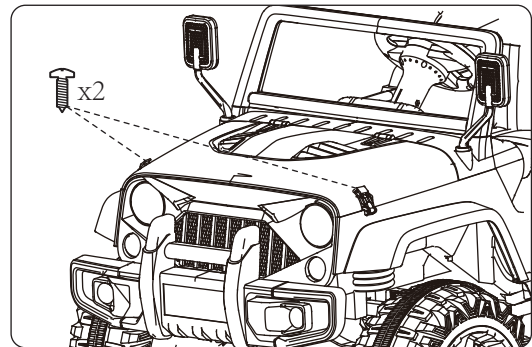
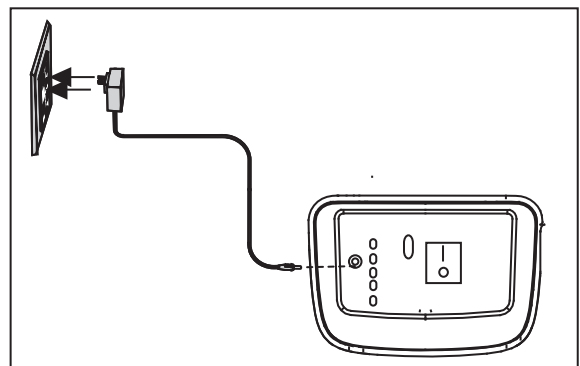
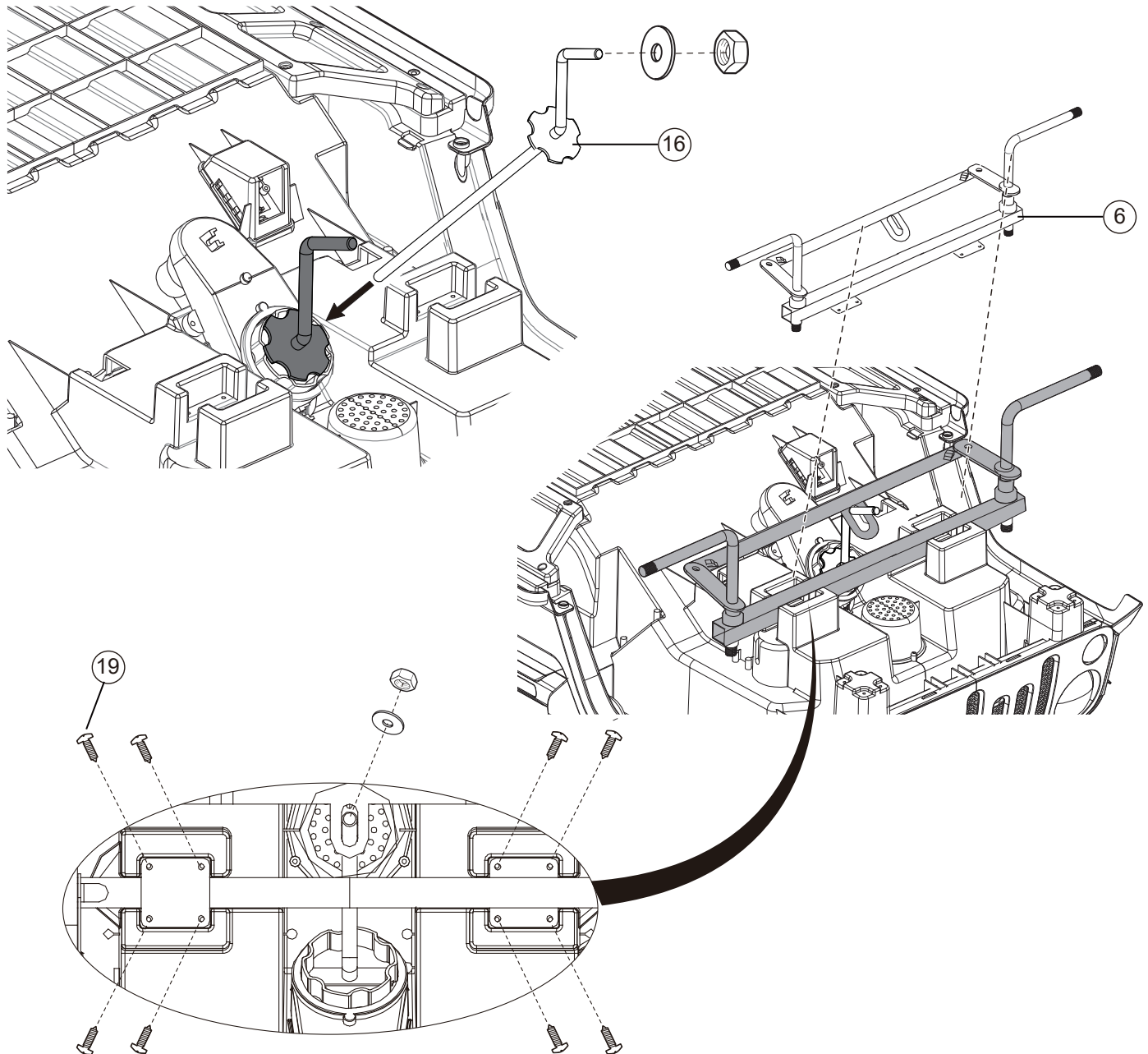


Figure 3

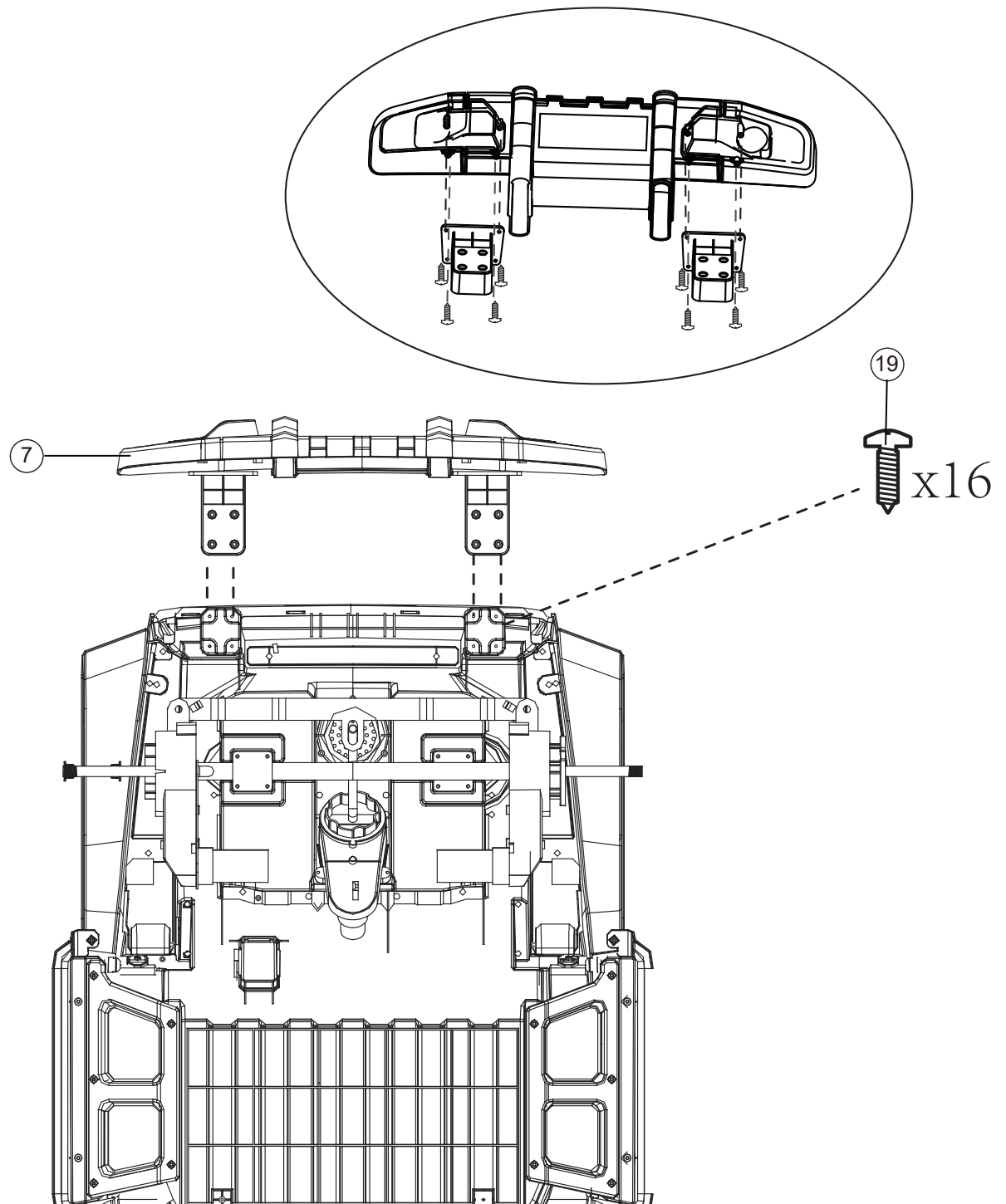


## 9 Attach the Steering Rod



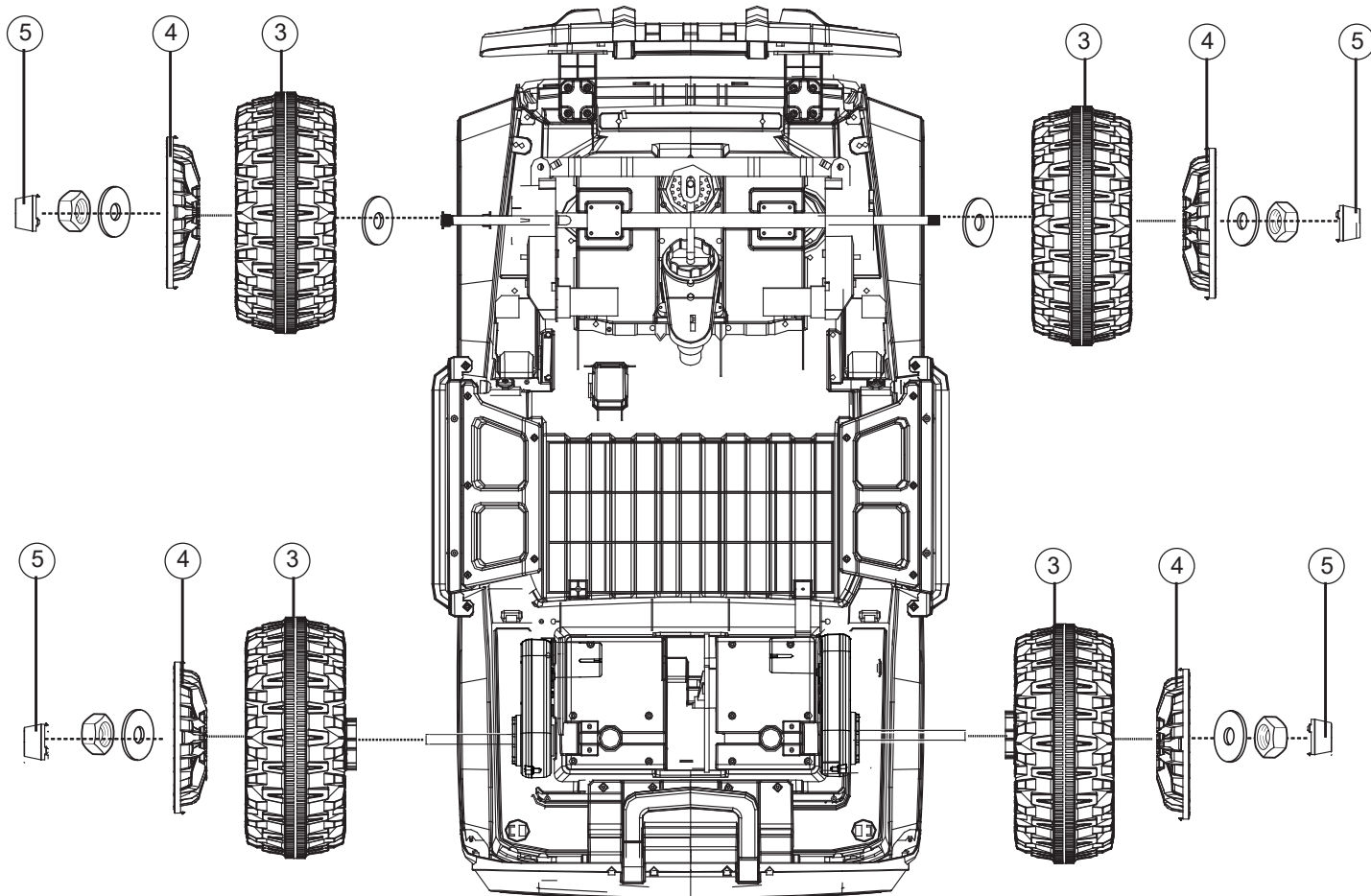
1. Gently flip the vehicle upside down and lay it on a smooth surface.
2. Remove the locknut and washer from Steering Rod (16), insert the Steering Rod into the hole near the front of the vehicle.
3. Slide the Axle Frame onto the Steering Rod through the slot on the Axle Frame, then secure the frame with the locknut and washer.
4. Secure the frame with four Button-Head Screws (19) using a Phillips head screwdriver.

# Attach the Front Bumper 10



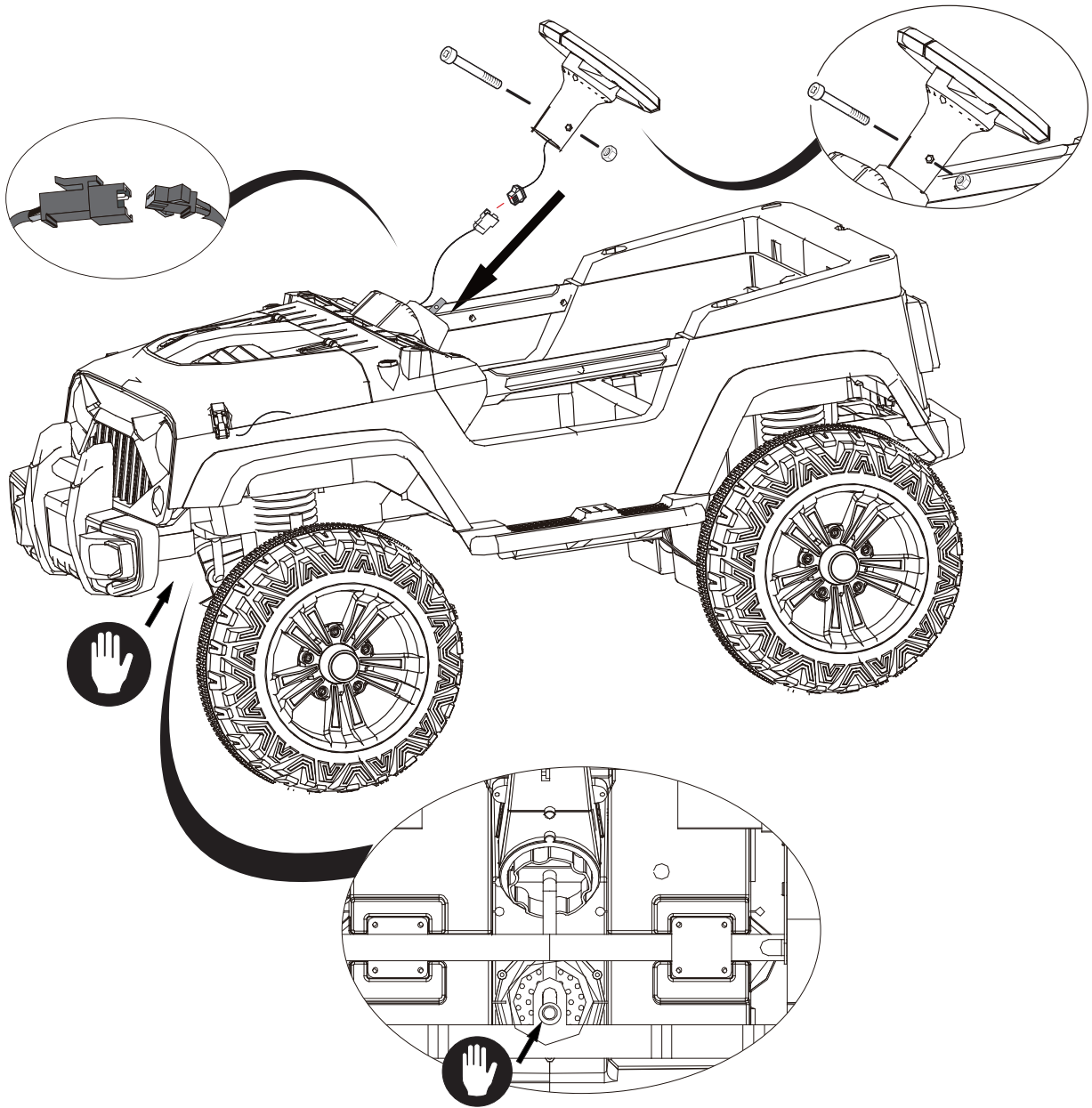
1. Align the Front Bumper (7) with the slots on the front of the car.
2. Using a Phillips head screwdriver, secure the front bumper with 16 Button-Head Screws (19).

# 11 Assemble the Wheels



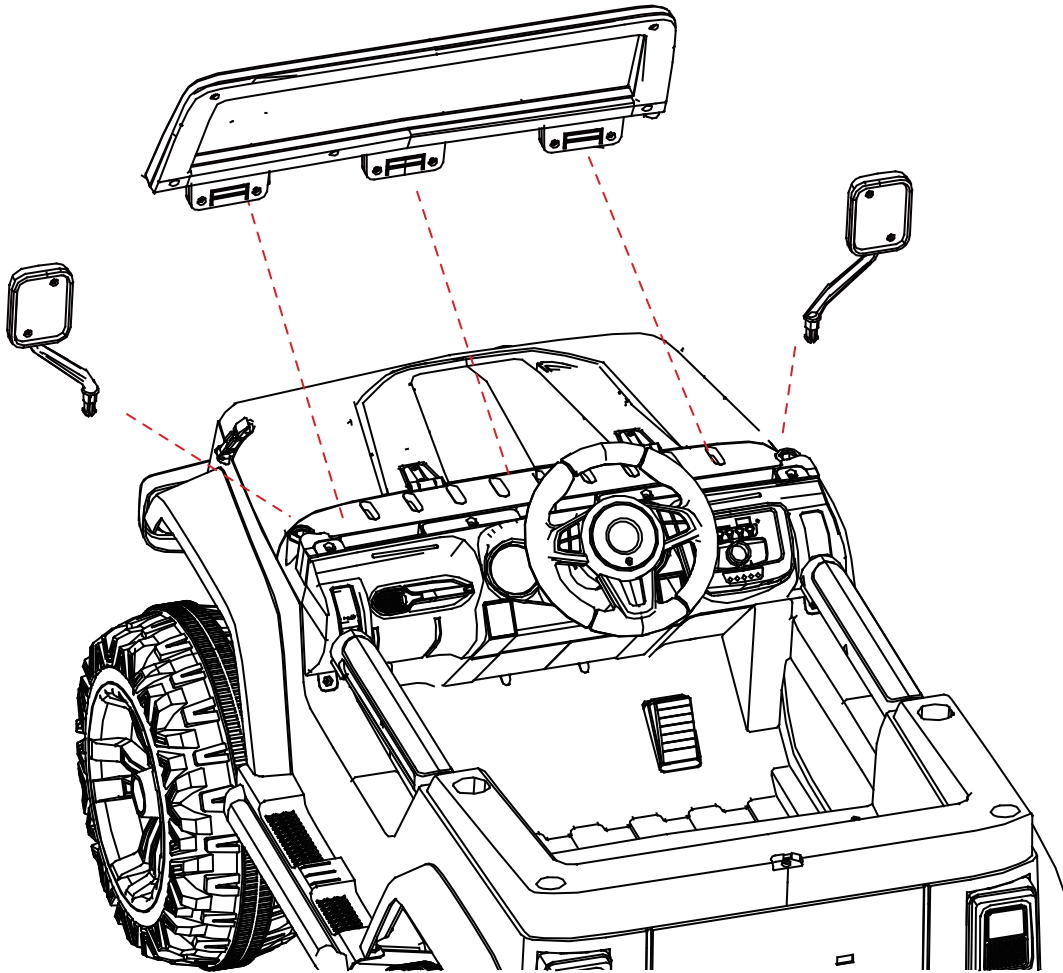
1. Locate the Wheels (3), Washers, Nuts, Wheel Covers (4), Wheel Cap (5) and Hex Wrench (13).
2. Slide a Washer onto one of the Front Axles, then slide on a Front Wheel.
3. Snap a Wheel Cover (4) onto the Wheel, then slide another Washer and a Nut on the axle.
4. Use the Hex Wrench to tighten the Nut. Then, snap a Wheel Cap (5) onto the Wheel Cover to complete the wheel assembly.
5. Repeat steps 1-4 for the other Front Wheel.
6. On a rear axle, slide on a Rear Wheel. The gear teeth on the Wheel should engage with the Gear Box (8).
7. Snap on a Wheel Cover, then slide a Washer, followed by a Nut onto the Axle.
8. Tighten the Nut using the included Hex Wrench. Then, snap a Wheel Cap (5) onto the Wheel Cover to complete the wheel assembly.
9. Repeat steps 6-8 with the other Rear Wheel.

## 12 Attach the Steering Wheel



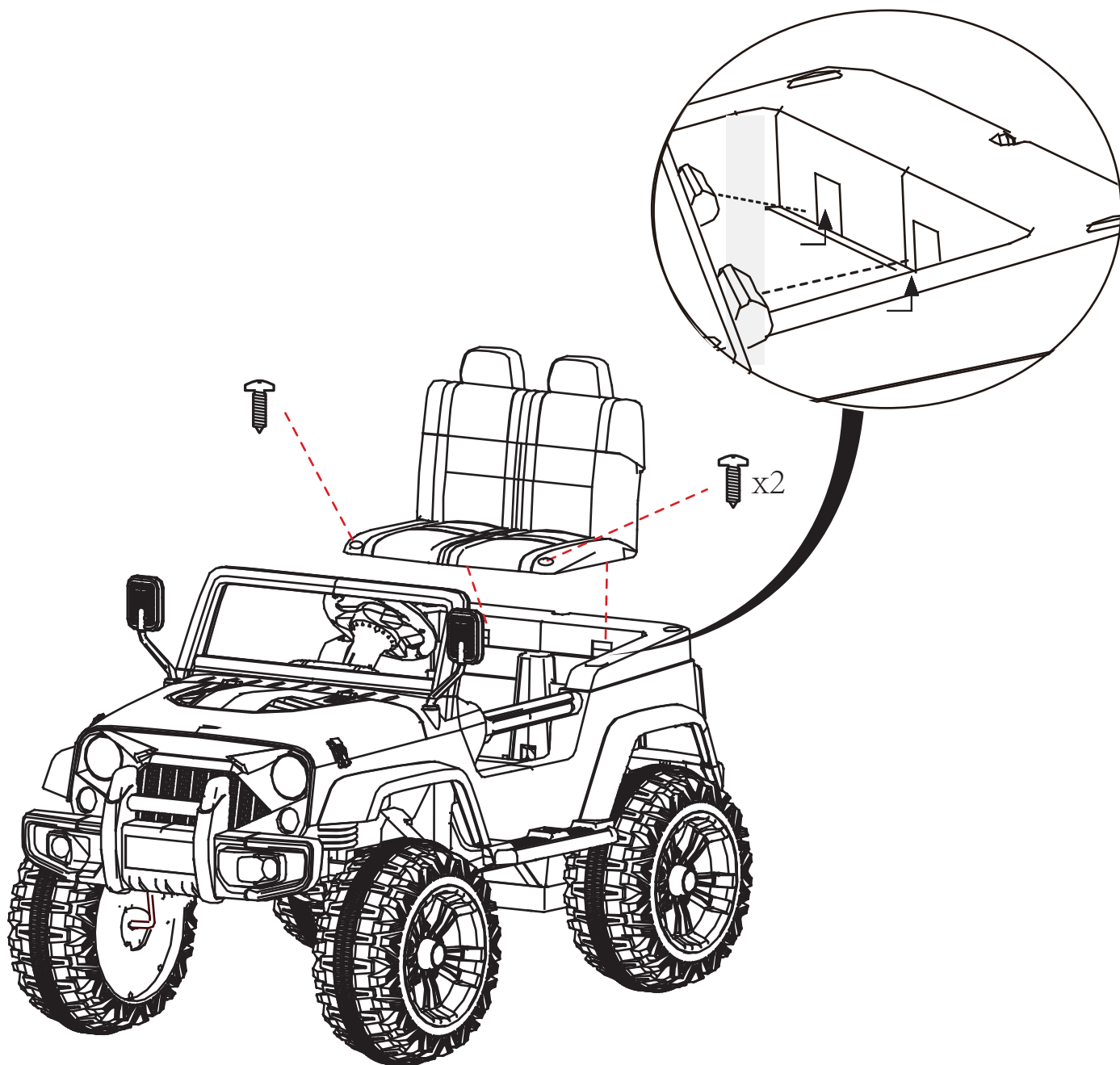
1. Inside the hole for the Steering Rod on the dashboard, locate the music wire and connect it to the wire on the Steering Wheel (10).
2. Gently tuck the wires into the Vehicle body. Straighten the front wheels before assembling the steering wheel. From underneath the vehicle, press the Steering Rod (16) up and attach the Steering Wheel to the top of the Steering Rod.
3. Insert the Steering Rod Screw (20) through the hole at the base of the Steering Wheel and secure with a Nut (21).

# Attach the Windshield 13



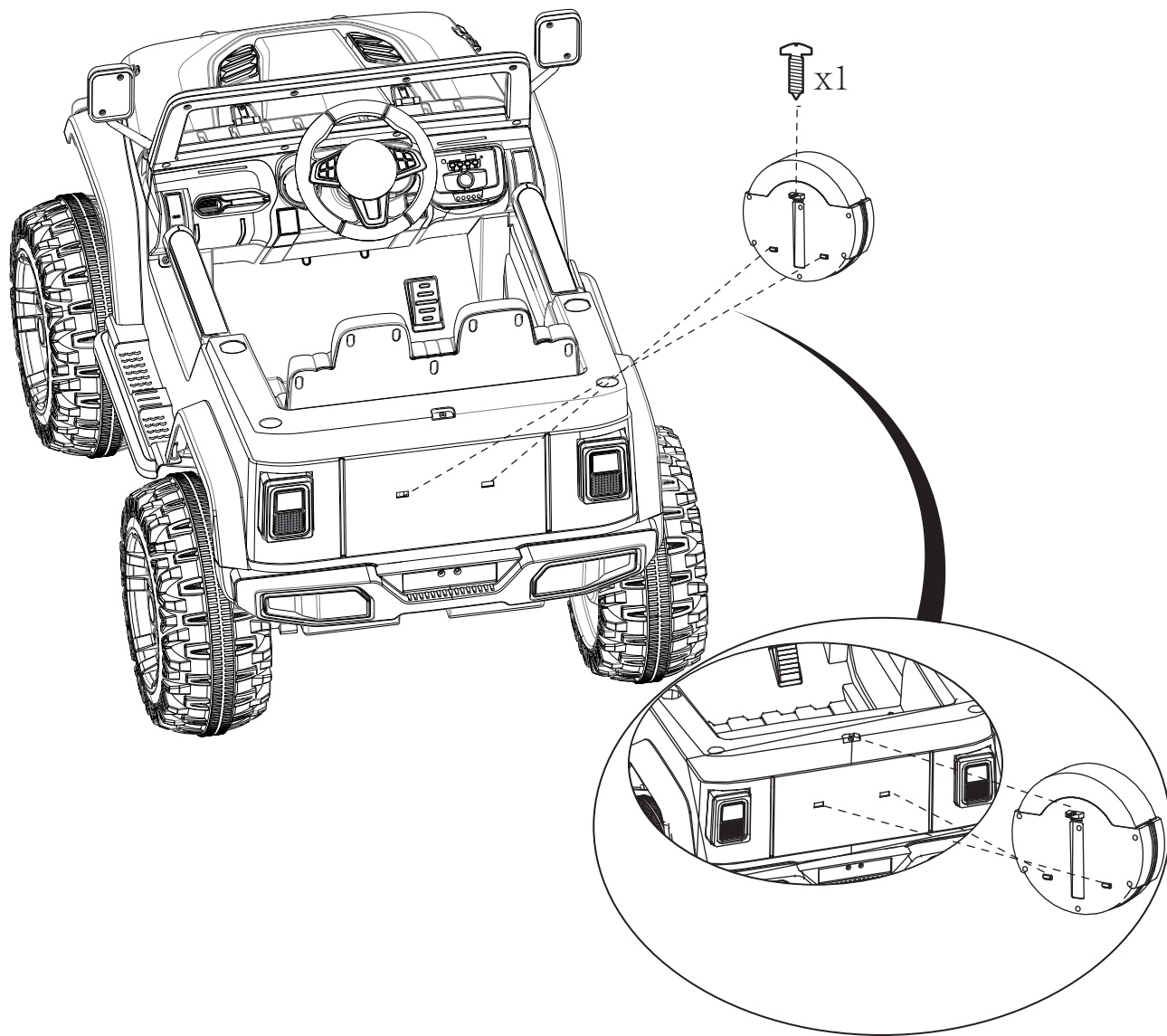
1. Locate the Windshield (11) and slide it into the slots at the top of the dashboard until it clicks into place.
2. Insert the Side Mirrors (12) into the slots on the sides of the Windshield.

# 14 Attach the Seat



1. Insert the Seat (1) by sliding the hooks on the back into the slots on the vehicle body.
2. Secure with two Button-Head Screws (19).

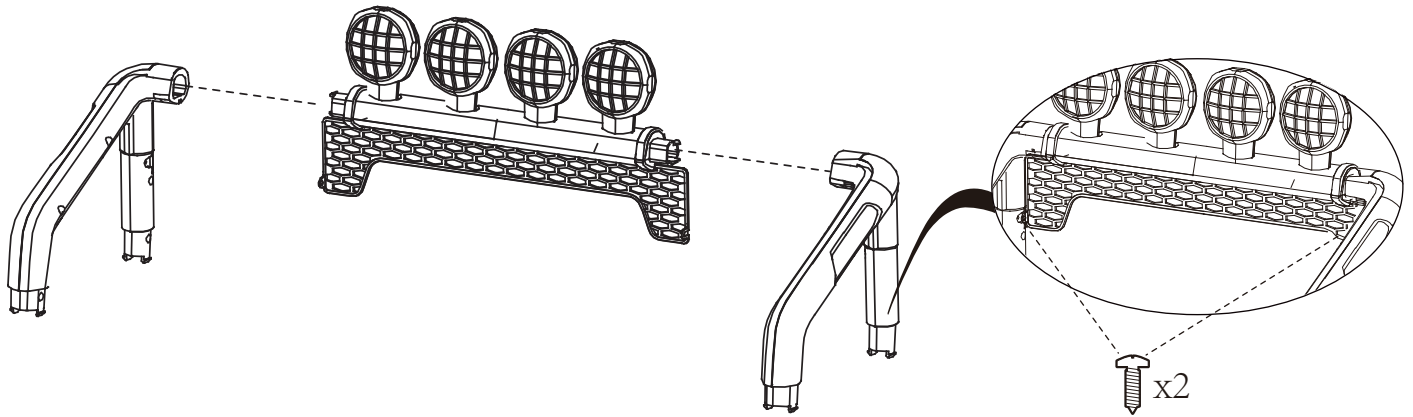
# Install the Storage Compartment



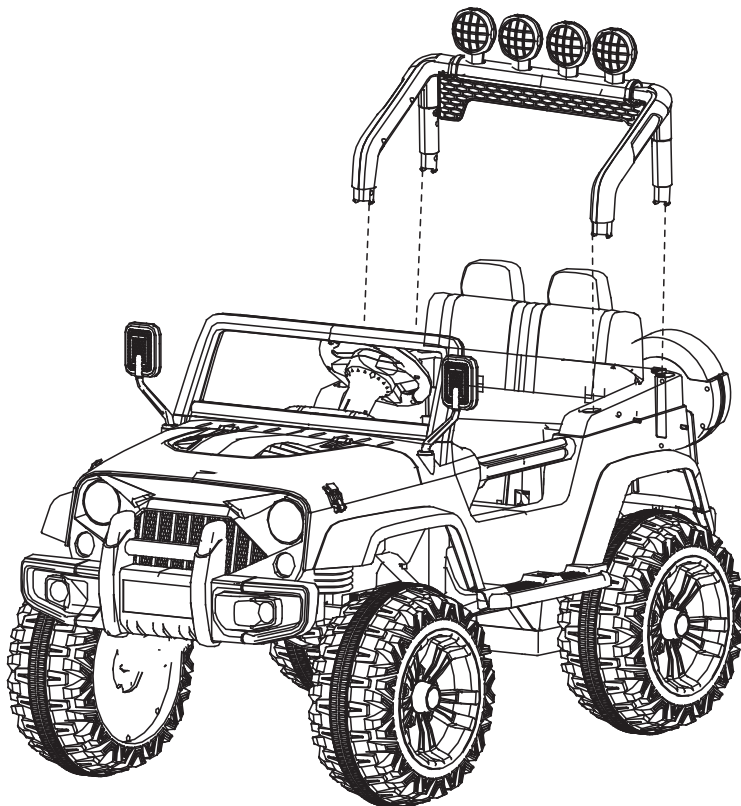
1. Align the Storage Compartment (2) with the slots on the back of the vehicle.
2. Insert a Brazier-Head Screw (18) inside the Storage Compartment and into the hole on the vehicle body to secure.



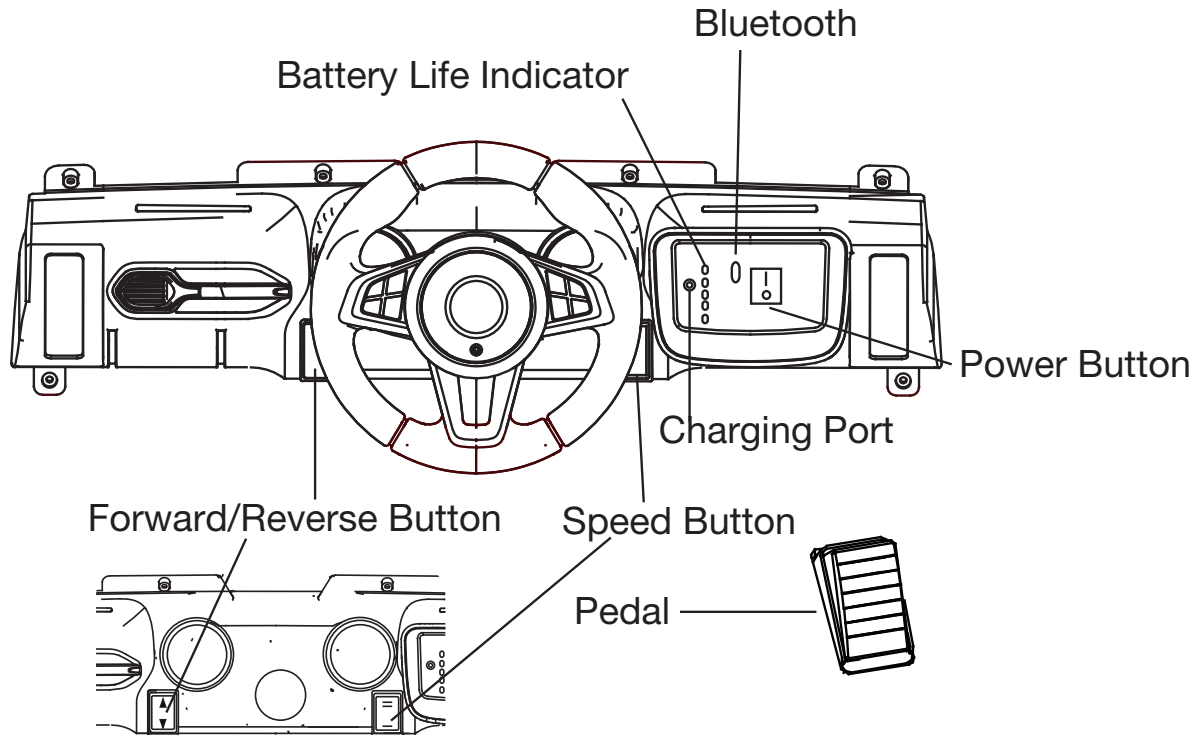
# Attach the Light Bar 16



1. Attach the side brackets to the light bar.
2. Fasten the side brackets to the Light Bar with two Button-Head Screws (19).
3. Slide the Light Bar brackets into the slots on the rear of vehicle body until they click into place.



# 17 Product Features



**Power Button:** Press the Power Button to turn on the car. The Power Button will light up and a start-up sound will play once the vehicle is on. Press the "O" on the Power Button to turn off the car.

**Bluetooth:** Press the Bluetooth Button. You will hear voice prompts to connect your device. On your device, search and select "YX" in the list of available Bluetooth devices. You will hear a voice prompt play on the car speakers once the pairing is complete.

**Battery Life Indicator:** The number of lights displayed indicates the remaining battery power:

-When only one red light is displayed, the battery must be charged

-When all lights are illuminated, the vehicle is fully charged.

(Note: When the power is on, but the car is not in use, the Battery Life Indicator will automatically shut-off after ten minutes of inactivity. Press the two buttons on the steering wheel to turn the Battery Life Indicator back on).

**Charging Port:** To charge the vehicle, connect the included charger to the Charging Port and plug into a 120 V outlet. The vehicle should be turned off prior to charging. No function is available while charging.

**Steering Wheel Buttons:** Press the left button on the steering wheel to hear horn sounds and the right button to hear engine sounds.

**Speed Button:** Use this button to choose between a fast or slow speed.

**Forward/Reverse Button:** Switch directions with this button.

**Pedal:** Press the Foot Pedal down to go. Release the Foot Pedal to stop.

## Important Battery and Charger Information

- Only an adult who has read and understands the safety warnings may handle and operate the battery and battery charger. Keep away from children.
- Charge the battery for 24 hours before using the vehicle for the first time.
- Recharge the battery immediately after each use. Charge for at least 8-12 hours, but no more than 20 hours.
- Charge the battery at least once a month, even if the vehicle is not used. Failure to charge the battery once a month may result in a battery that will not accept a charge.
- Never leave the battery in a discharged condition.
- Connect the terminal of the battery and charger, then plug the charger into a 120V AC outlet.
- It is normal for the charger to heat slightly. If the charger rises above 71°C / 160°F, disconnect the charger and call Customer Service for assistance.
- Keep the charger away from water or excessive moisture to prevent short-circuiting.
- Only use the charger specified with the original item. **Do not charge the battery with any other charger.**
- Do not attempt to recharge non-rechargeable batteries with the original charger.
- **Do not replace the battery with any other battery, or the warranty will be voided.** If you need a replacement battery, see Page 25 for replacement information.
- Remove damaged batteries from the car immediately. Recycle or dispose of the used batteries responsibly.
- Do not short circuit the supply terminals.
- Do not leave the battery connected in the vehicle for extended periods of time when the vehicle is not being used. Disconnect the battery connector from the engine connector before storing.
- The vehicle is equipped with a thermal fuse to protect the electric circuit. If the vehicle cuts out, turn the vehicle off and on to reset.

## 19 General Care

- Regularly inspect all vehicle parts to ensure they are in good working condition.
- Regularly inspect the charger, cord, plug, and other related parts for damage.
- Remove any damaged parts and immediately contact Customer Service for replacement parts. See Service and Repairs on Page 25 for more information.
- DO NOT operate the vehicle if there are any damaged parts.
- Carefully clean the vehicle with a damp cloth and mild soap. Do not get water in or near any electrical parts. Do not wash the vehicle with a hose.
- Store the vehicle indoors or use a tarp to cover it. Keep away from stoves, heaters, or other sources of heat.

# Troubleshooting Guide 20

Completely read through the manual and troubleshooting guide before contacting Customer Service.

Problem	Potential Cause	Solution
Vehicle does not run	Battery is low	Recharge the battery
	Thermal fuse tripped	Reset fuse
	Snap pins are loose	Tighten snap pins
	Loose wires or loose connectors	Ensure the battery connectors are securely attached. If wires are loose, contact Customer Service.
	Battery is dead	Contact Customer Service
	Electrical system is damaged	Contact Customer Service
	Motor is damaged	Contact Customer Service
Vehicle only runs for a short time	Undercharged battery	Ensure a secure connection when the battery is recharging. Recharge for at least 8-12 hours.
	Overcharged battery	Never charge the battery for more than 30 hours
	Battery is old	Replace battery
Vehicle runs slowly	Battery is not fully charged	Ensure a secure connection when the battery is recharging
	Battery is old	Contact Customer Service to order replacement battery
	Too much weight on vehicle	Reduce weight on vehicle (35 kg / 77 lb max)
	Harsh conditions	Operate the vehicle on level ground and safe surfaces

Problem	Potential Cause	Solution
Vehicle needs a push to start	Loose wires or loose connectors	Ensure the battery connectors are securely attached. If wires are loose, contact Customer Service.
	Dead spot on motor	A “dead spot” means electricity is not being delivered to the terminal. Contact Customer Service.
Difficulty shifting	Attempting to shift while vehicle is moving	Stop the vehicle before shifting
Motor or gear box making grinding noises	Motor or gear damage	Contact Customer Service
Battery will not recharge	Charger is not plugged in	Plug in the charger to a functional wall outlet
	Charger is not working	Contact Customer Service
	Loose connector or loose adapter	Check that the connectors are securely plugged in to each other
Battery makes bubbling noise while recharging	This is normal	No action required
Charger is warm	This is normal	No action required

This device complies with part 15 of the FCC Rules. Operation is subject to the following two conditions: (1) this device may not cause harmful interference, and (2) this device must accept any interference received, including interference that may cause undesired operation.

This equipment has been tested and found to comply with the limits for a Class B digital device, pursuant to Part 15 of the FCC Rules. These limits are designed to provide reasonable protection against harmful interference in a residential installation.

This equipment generates, uses and can radiate radio frequency energy and, if not installed and used in accordance with the instructions, may cause harmful interference to radio communications. However, there is no guarantee that interference will not occur in a particular installation. If this equipment does cause harmful interference to radio or television reception, which can be determined by turning the equipment off and on, the user is encouraged to try to correct the interference by one or more of the following measures:

- Reorient or relocate the receiving antenna.
- Increase the distance between the equipment and the receiver.
- Consult dealer or an experienced radio/TV technician for help.
- Connect the equipment into an outlet on a circuit different from that to which the receiver is connected.
- Check the state or local requirements for the product before using the product.

**Caution:** Changes or modifications not expressly approved by the party responsible for compliance could void the user's authority to operate the equipment.

This device contains licence-exempt transmitter(s)/receiver(s) that comply with Innovation, Science and Economic Development Canada's licence-exempt RSS(s). Operation is subject to the following two conditions:

1. This device may not cause interference.
2. This device must accept any interference, including interference that may cause undesired operation of the device.

## 23 Service and Repairs

**Before returning your product to the store, contact Rollplay with questions.**

---

If your product requires service, repairs or replacement parts, please contact Rollplay Customer Service.

HOURS: 8 AM - 5 PM EST. Monday - Friday.

Phone: 1-888-982-9309

Email: [customerservice@rollplay.com](mailto:customerservice@rollplay.com)

Web: [www.rollplay.com](http://www.rollplay.com)

For a list of available replacement parts, please visit [www.rollplay.com](http://www.rollplay.com).

**WE WILL REQUIRE PROOF OF PURCHASE.** Please save your sales receipt and register your product at [www.rollplay.com](http://www.rollplay.com).



## Rollplay 12-Volt Limited Warranty

- One-year limited warranty from the date of purchase with proof of purchase from a Rollplay certified retailer.
- This one-year limited warranty covers the ride-on against defects in materials and workmanship to the original purchase. Proof of purchase receipt is required from a Rollplay certified retailer.
- Six-Month limited warranty on the 12-Volt battery with proof of purchase from a Rollplay certified retailer.
- Rollplay ensures the original 6-Volt battery is warranted for 6 months from initial purchase of the vehicle from a Rollplay certified retailer. Proof of purchase receipt required.
- This warranty covers normal use and does not cover the Rollplay vehicle or battery if deemed damaged by unreasonable use, modification, neglect, accident, abuse, misuse, improper service or other causes not arising out of defects in materials or workmanship. Evidence of any attempt at customer repair will void this warranty.
- This warranty does not cover, and is not intended to exclude any liability on the part of Rollplay, whether under this warranty or implied by law for any indirect or consequential damages for breach of warranty. Some states may not allow the exclusion or limitation so this limitation may not apply to you.

Should you need service or assistance with your vehicle during the warranty period:

- Please do not return vehicle to the store.
  - Consult the troubleshooting guide in this manual and online at [www.rollplay.com](http://www.rollplay.com)
- or
- Call Rollplay Customer Service at 1-888-982-9309

Note: This warranty gives you specific legal rights. You may also have other rights that may vary from state to state.

**Please save your original sales receipt.**



Fill out the form below and mail it to:

Rollplay Products  
1801 Commerce Dr.  
Piqua, OH 45356

OR fill out the form online at **[www.rollplay.com](http://www.rollplay.com)**

We will use the information provided only for your warranty. We will not sell, rent or share your personal information.

---

## Product Registration

First Name: \_\_\_\_\_ Last Name: \_\_\_\_\_ Title: \_\_\_\_\_

Address: \_\_\_\_\_

City: \_\_\_\_\_ State/Province: \_\_\_\_\_ Zip Code/Postal Code: \_\_\_\_\_

Email: \_\_\_\_\_ Phone: \_\_\_\_\_

Date of Purchase: \_\_\_\_\_

**The following product information is on the cover of the owner's manual.**

Product Name: \_\_\_\_\_ Model #: \_\_\_\_\_

Serial Number: \_\_\_\_\_ Retailer Place of Purchase: \_\_\_\_\_

Questions or comments? Contact us at **[www.rollplay.com](http://www.rollplay.com)** or **1-888-982-9309**

