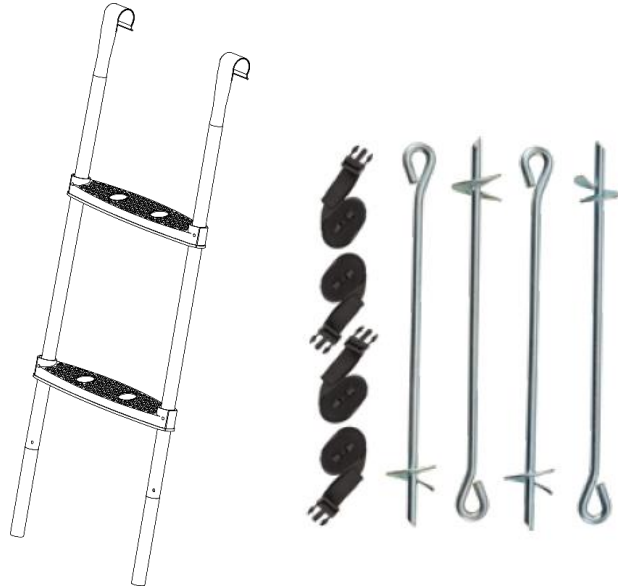




Assembly Instructions & User's Manual AGame Trampoline Starter Kit 166049



Assembly Size: 38 x 13 inch

WARNING

- To be used under the direct supervision of an adult. Never leave children unattended.
- To avoid accidents and to restrict access to the trampoline, never leave the ladder placed on the trampoline when not in use.
- For use by no more than one user at any one time.
- Do not exceed maximum weight loading 220lbs (100kg)
- For family domestic use only.
- For outdoor use only.
- No jumping on or from ladder.
- The ladder is not a toy. Do not use for other purpose.
- Remove all footwear before use.
- Adult assembly required.

For Customer Service, please call [1-866-370-2131](tel:1-866-370-2131) or visit www.sportspowerltd.net

Monday – Friday 9:00 AM – 5:00 PM Eastern Time

Sportspower Ltd.

Level 20, Parkview Centre, 7 Lau Li Street, Causeway Bay, Hong Kong

Table of Contents

Warnings.....	3
Tools and Parts.....	4
Assembly Instructions.....	6
Care and Maintenance.....	13
Warranty Information.....	14

Note: Before beginning assembly of product, make sure all parts are present. Compare parts with package content list and hardware contents. If any part is missing or damaged do not attempt to assemble the unit. Contact customer service for replacement parts.



Warnings

- Please read the instructions carefully. Make sure all parts are present before assembling the ladder.
- Do not attempt to assemble the ladder if any parts are missing or damaged.
- Please dispose of all polyethylene packing material properly and keep it away from children.
- When you are ready to start, make sure you have the right tools to hand.
- For family domestic use only.
- The ladder is not a toy. Do not use for any other purpose.
- For use by no more than one user at any one time.

Parts List For Ladder

Key Number	Description	Diagram	Q'ty
1	Frame Leg Tube		2
2	Plastic Ladder Step		2
3	Lower Frame Leg Tube		2
4	Bolt (M6x40mm)		4
5	Bolt (M6x35mm)		2
6	Cap Nut (M6)		2
7	Spring Washer		2
8	Washer		2
A	Allen Wrench		1
B	Wrench		1
H	Safety Instruction Placard		1

Parts List For Anchor Kit

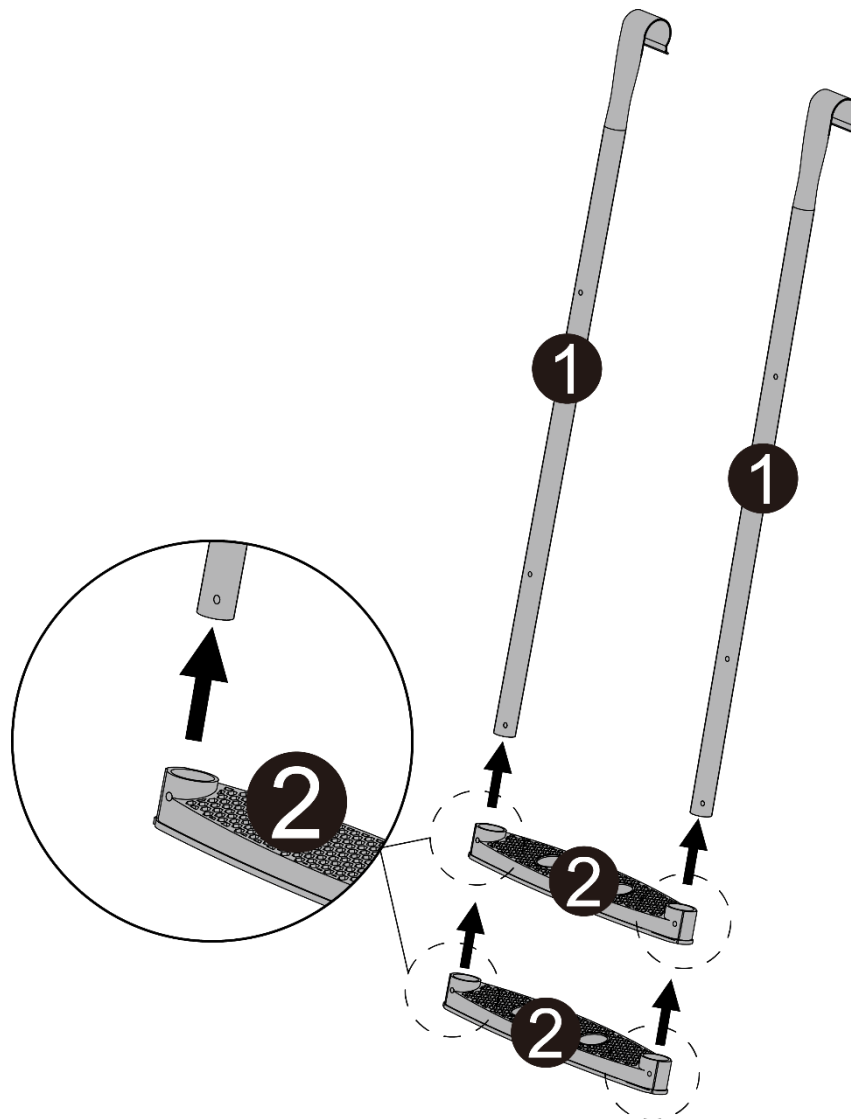
Key Number	Description	Diagram	Q'ty
1	Anchor		4
2	Straps		4

Assembly Instructions For Ladder

STEP 1

- Insert two Frame Leg Tubes (#1) through two Plastic Ladder Steps (#2) until the holes are lined up.

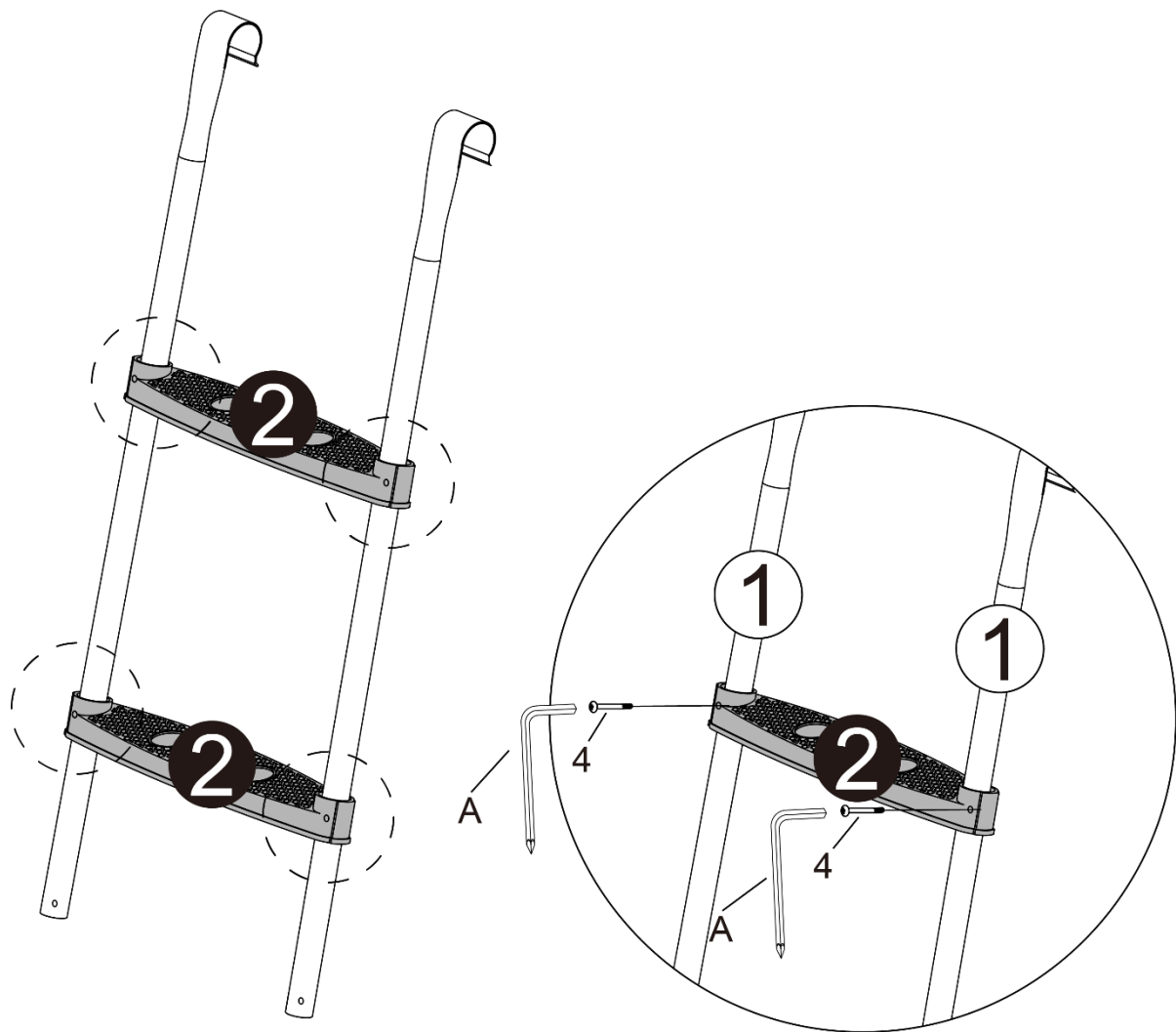
Noted: Make sure the checkered pattern on the steps are facing up.



Assembly Instructions For Ladder

STEP 2

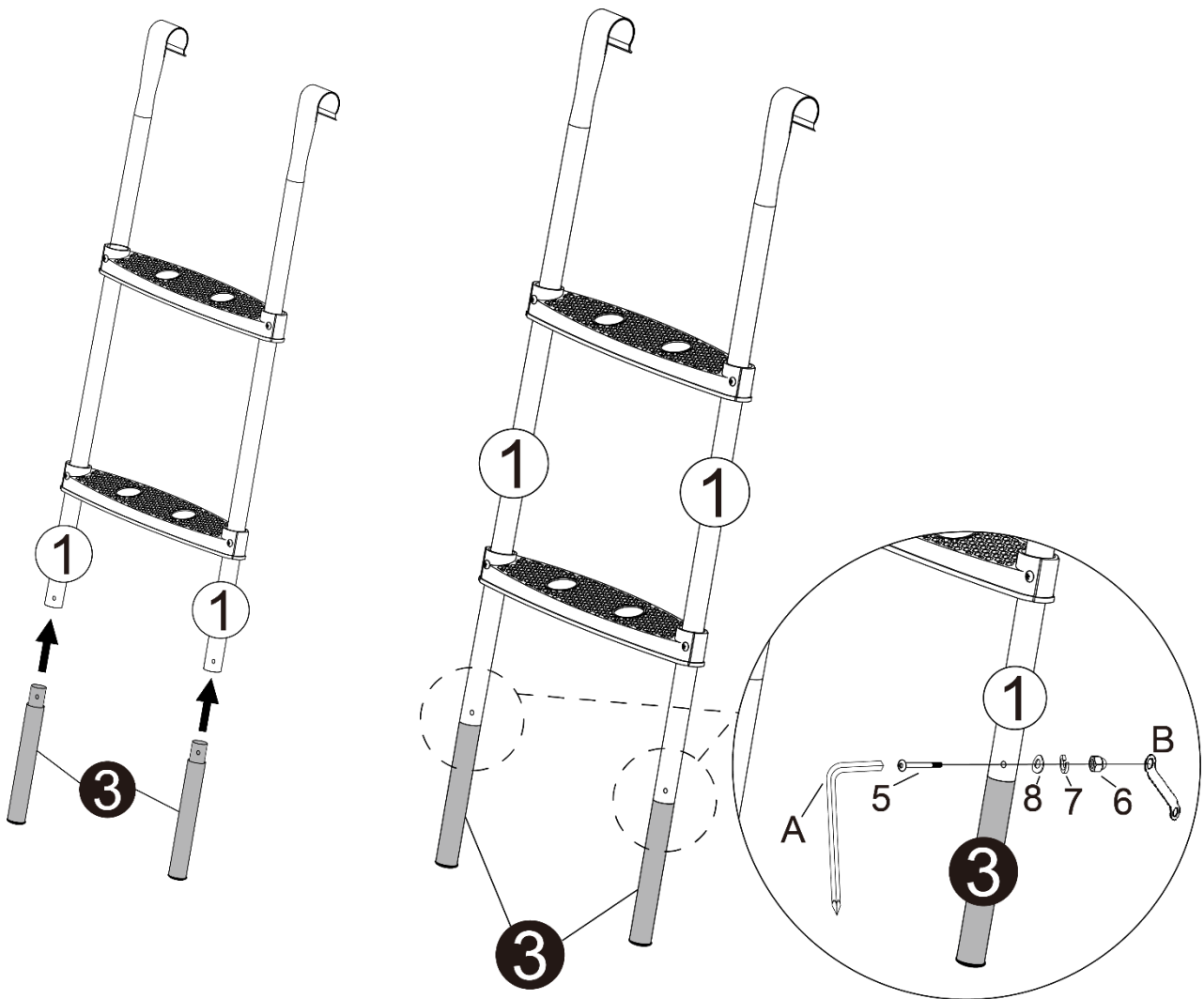
- Insert Bolts (#4) through the ladder steps and frame leg tubes.
- Securely fasten the bolts using Allen Wrench (# A) as shown.



Assembly Instructions For Ladder

STEP 3

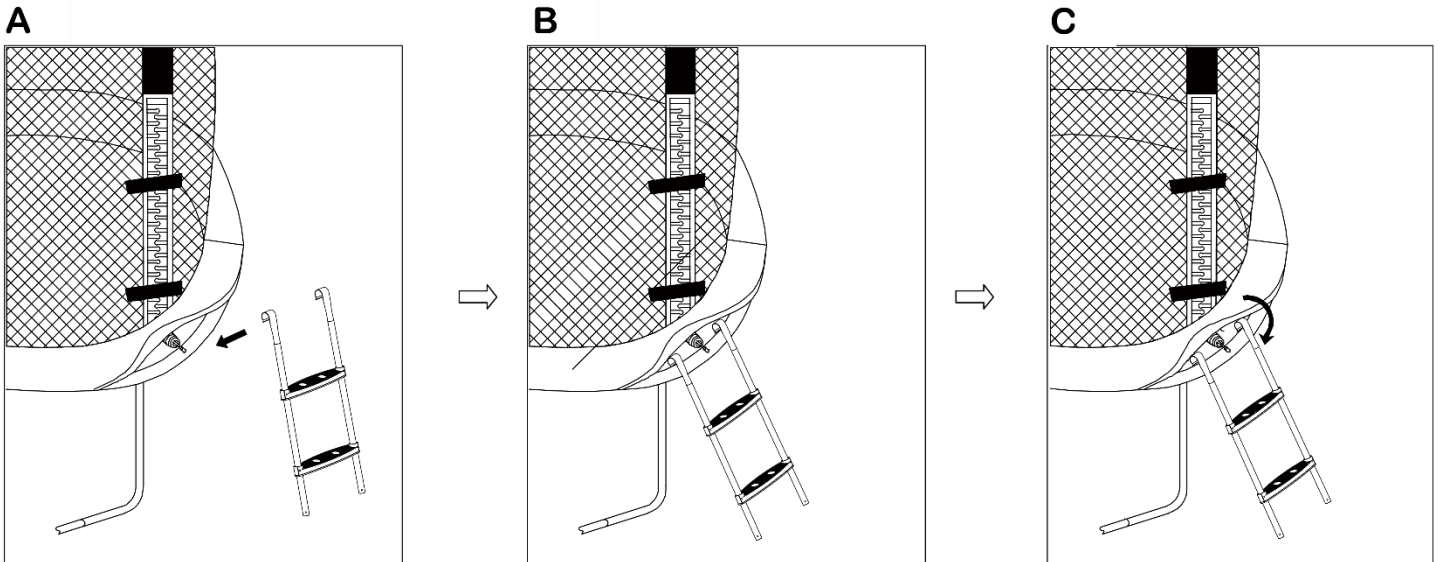
- Connect two Lower Frame Leg tubes (#3) to the Frame leg tubes (#1) and align the bolt holes.
- Secure with Bolt (#5), Washer (#8), Spring Washer (#7), Cap Nut (#6) using the Allen wrench (#A) and Wrench (#B) to tighten as shown.



Assembly Instructions For Ladder

STEP 4

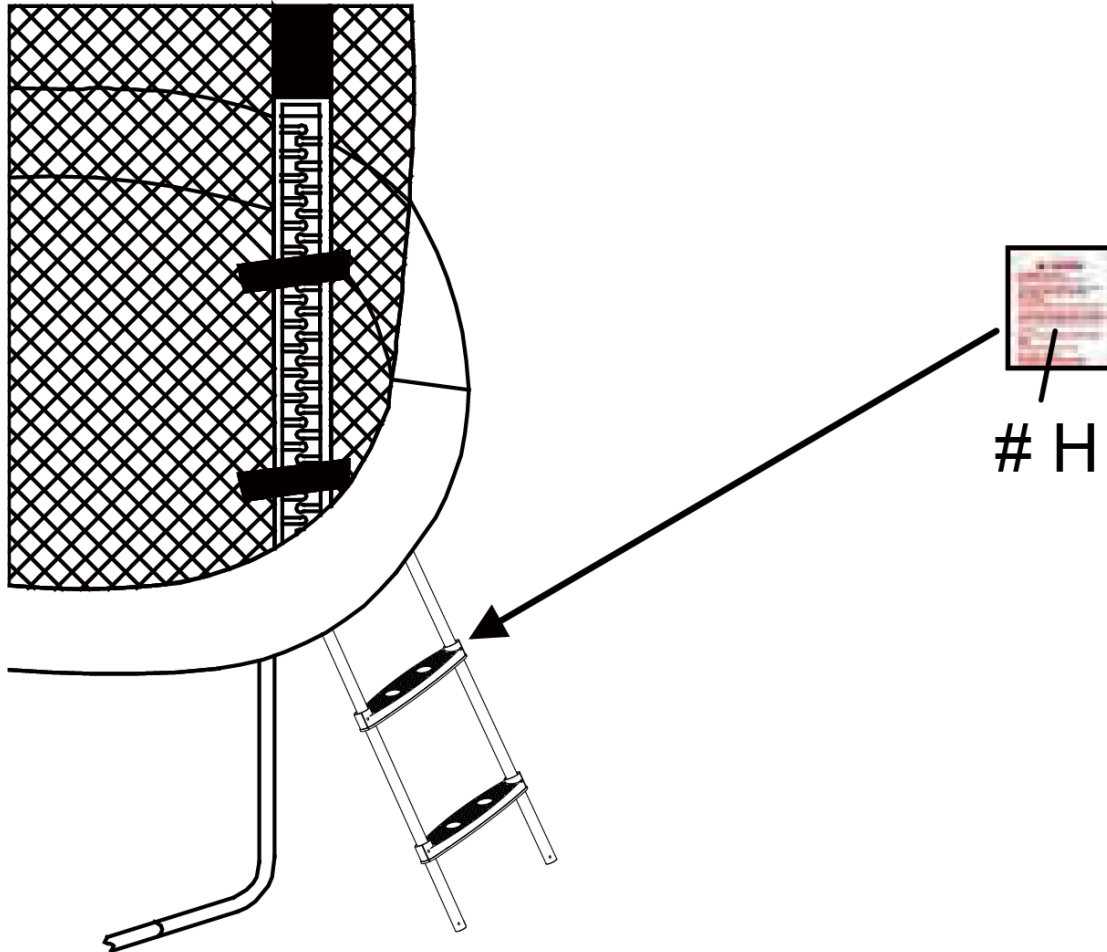
- Position the ladder by the doorway where you can enter / exit the trampoline:
 - A. Lift the padding and hook the ladder onto the trampoline frame.
 - B. Ensure the ladder does not interfere with the ties, springs or mat.
 - C. Cover top of the ladder with padding.



Assembly Instructions For Ladder

STEP 5

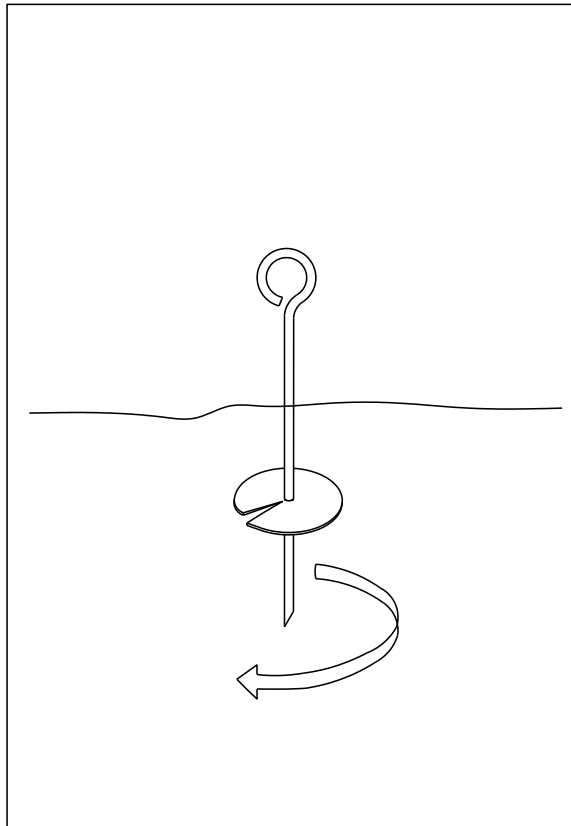
Use the plastic tie provided to attach Ladder Safety Instruction Placard (# H) to the ladder as shown below. Make sure it does not obstruct the steps.



Assembly Instructions For Anchor Kit

Step 1

- Screw in the Anchor (#1) to the soil as shown below.

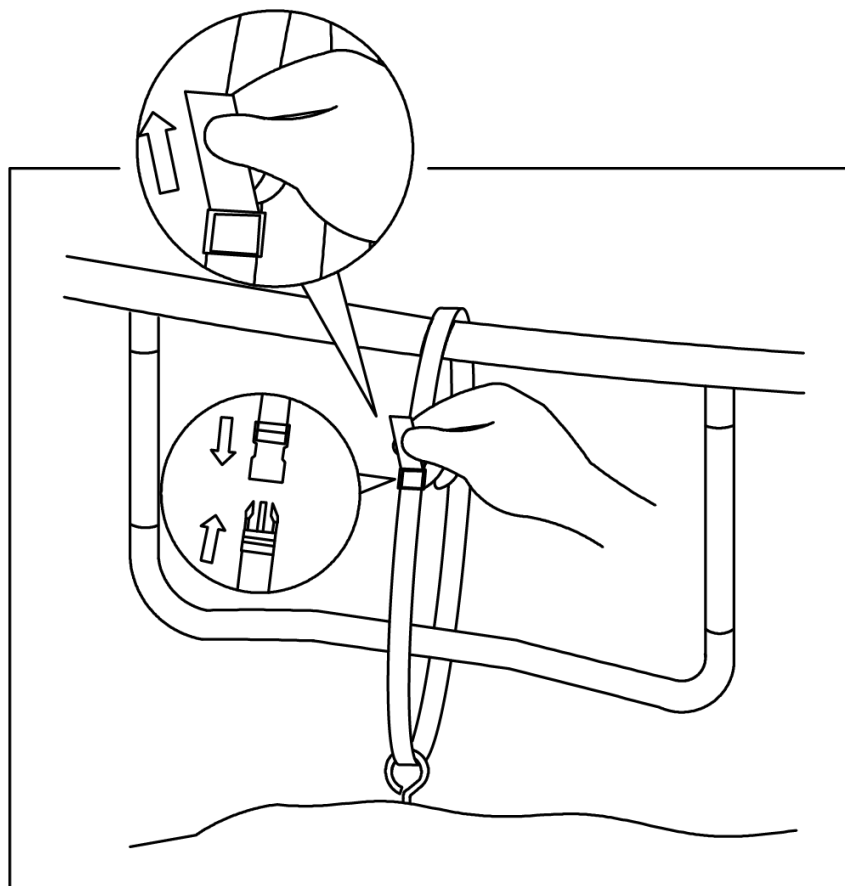


Assembly Instructions For Anchor Kit

Step 2

Attach the strap (#2) over the main frame and leg of the trampoline, through the Anchor kit (#1) as shown below.

Secure the strap with buckle by pulling the 2 end points to ensure it is tight after assembly as shown below.



Care and Maintenance

- Inspect the ladder before each use and replace any worn, defective or missing parts.
- Regularly check that all bolts are tightened.
- Do not leave the ladder outdoors when not in use.
- The ladder should be stored in a dry covered area when not in use.
- Anchor Kit will only help to secure the trampoline to the ground. In windy conditions, please disassemble trampoline (and enclosure) and store indoors. Anchor Kit will not prevent the trampoline (and enclosure) from being blown away by wind.

SPORTSPOWER LTD. Warrants its products to be free from defects in material and workmanship under normal use and service conditions for one (1) year after the date of purchase.

All warranty coverage extends only to the original retail purchaser from the date of purchase. SPORTSPOWER'S obligation under this Warranty is limited to replacing at SPORTSPOWER'S option. All products for which a warranty claim is made must be received by SPORTSPOWER'S authorized service center, freight prepaid, and accompanied by sufficient proof of purchase. All returns must be preauthorized by SPORTSPOWER. Preauthorization may be obtained by calling SPORTSPOWER Customer Hot Line at **1-866-370-2131**. This Warranty does not extend to any product or damage to a product caused by or attributable to freight damage, abuse, misuses, improper or abnormal usage, or repairs not provided by a SPORTSPOWER authorized service center, or to products used for commercial or rental purposes. No other Warranty beyond that specifically set forth above is authorized by SPORTSPOWER.

SPORTSPOWER IS NOT RESPONSIBLE OR LIABLE FOR INDIRECT, SPECIAL OR CONSEQUENTIAL DAMAGES ARISING OUT OF OR IN CONNECTION WITH THE USE OR PERFORMANCE OF THE PRODUCT OR OTHER DAMAGES WITH RESPECT TO ANY ECONOMIC LOSS, LOSS OF PROPERTY, LOSS OF REVENUE OR PROFITS, LOSS OF ENJOYMENT OR USE, COST OF REMOVAL, INSTALLATION OR OTHER CONSEQUENTIAL DAMAGES. SOME STATES DO NOT ALLOW THE EXCLUSION OR LIMITATION OF INCIDENTAL OR CONSEQUENTIAL DAMAGES. ACCORDINGLY, THE ABOVE LIMITATION MAY NOT APPLY TO YOU.

THE WARRANTY EXTENDED HEREUNDER IS IN LIEU OF ALL OTHER WARRANTIES AND ANY IMPLIED WARRANTY OF MERCHANTABILITY OR FITNESS FOR A PARTICULAR PURPOSE IS LIMITED IN ITS SCOPE AND DURATION TO THE TERMS SET FORTH HEREIN. SOME STATES DO NOT ALLOW LIMITATIONS ON HOW LONG AN IMPLIED WARRANTY LASTS. ACCORDINGLY, THE ABOVE LIMITATION MAY NOT APPLY TO YOU. THIS WARRANTY GIVES YOU SPECIFIC LEGAL RIGHTS. YOU MAY ALSO HAVE OTHER RIGHTS WHICH VARY FROM STATE TO STATE. THIS WARRANTY IS VALID ONLY IN THE UNITED STATES.

For Customer Service, please call [1-866-370-2131](tel:1-866-370-2131) or visit www.sportspowerltd.net

Monday – Friday 9:00 AM – 5:00 PM Eastern Time

Sportspower Ltd.

Level 20, Parkview Centre, 7 Lau Li Street, Causeway Bay, Hong Kong