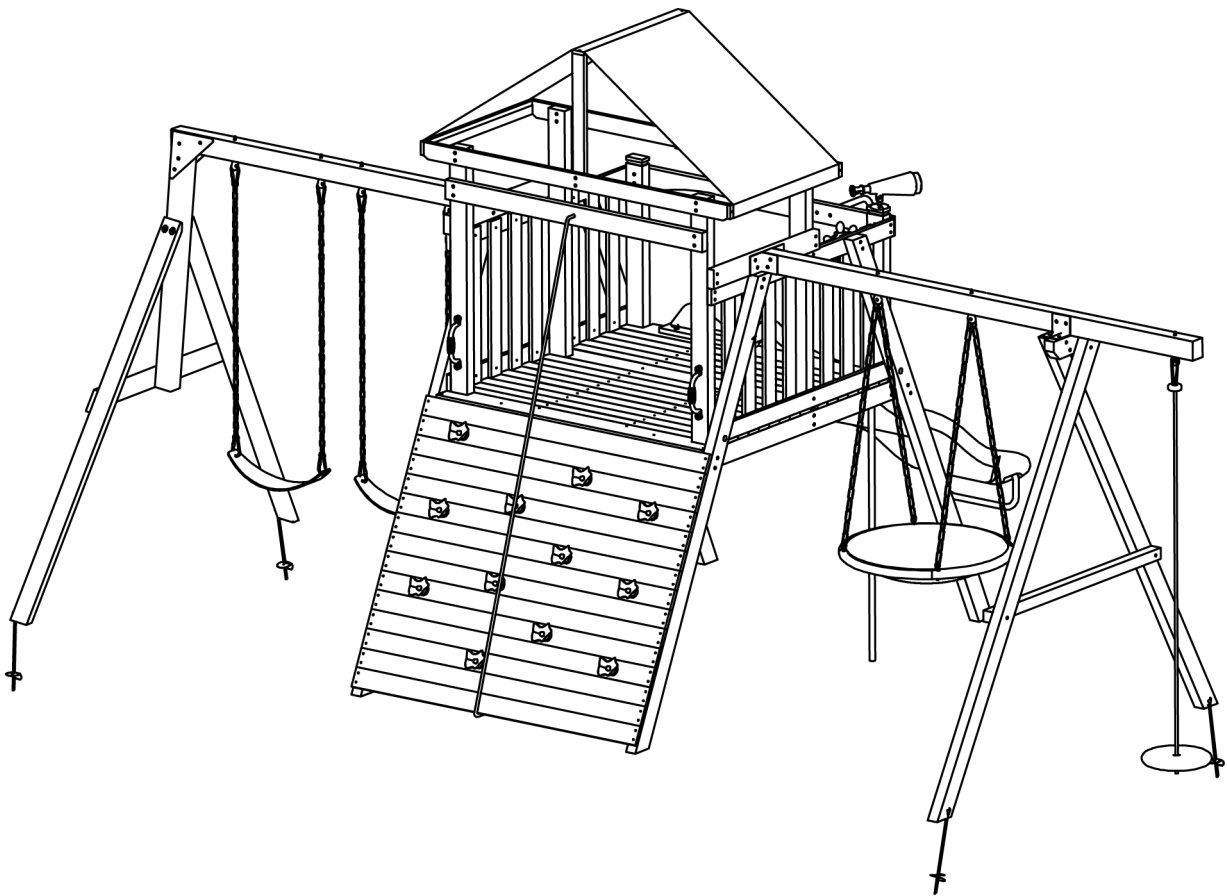


AGame™

Lookout Ridge Wooden Swing Set Style # 160395 (WP-658)

OWNER'S MANUAL

ASSEMBLY, INSTALLATION, CARE, MAINTENANCE AND USER INSTRUCTIONS



Please keep this instruction manual for future reference

FOR RESIDENTIAL USE ONLY

DO NOT RETURN TO THE STORE

For replacement parts, please call 1-866-370-2131 Monday – Friday 9:00 AM – 5:00 PM Eastern Time

Customer Service: (888) 922-2336 7:00 am to 12:00 am CST (daily)

Live Chat at: www.academy.com

Email: customerservice@academy.com

INTRODUCTION

Dear Valued Customer,

Congratulations on your Lookout Ridge wooden swing set purchase! Please read and completely understand the contents of this owner's manual. This manual contains specific instructions that must be followed to prevent injuries.

This equipment is for residential use only. This swing set is NOT intended for public or commercial use. The warranty will be voided if the swing set is used in a commercial application.

The product was designed to be used by children between the ages of 3-10. Children must NOT play on this set until it is properly assembled and inspected by an adult. Adult supervision is required at all times while children are playing on the equipment. Do not allow children under six (6) years old to be near during the assembly of this product due to choking hazards of small parts.

The equipment must be installed on level ground. Uneven ground must be leveled prior to installation. Installation on sloping or uneven ground will put stress on the joints, causing the unit to become loose and unstable which may result in serious injuries. You must ensure there are no obstructions or structures (e.g. electrical wires, branches, house, fence, garage, etc) within six (6) feet in any direction from the equipment.

The U.S. Consumer Product Safety Commission's Outdoor Home Playground Safety Handbook recommends to install and maintain the playground equipment over at least 9 inches of wood chips, mulch or shredded rubber (for equipment up to 8 feet high) or sand or pea gravel (for equipment no more than 5 feet high) as shock absorbing material. Dirt and grass, which are the most prevalent surfaces under home playground equipment, do not adequately protect children from serious head injuries. Install protective surfacing at least six (6) feet in all directions from play equipment. For swings, the surface should extend, in back and front, twice the height of the suspending bar. Do not install your swing set over hard surface, e.g. asphalt, concrete, packed earth, tile or brick floor. Do not allow children to use the product during windy or wet weather conditions. You should consult a local licensed contractor about ways to anchor the product in your location.

Please thoroughly read and follow the instructions in this Owner's Manual to ensure proper and enjoyable play for your children. The equipment must be checked before each use and maintained regularly. This includes, but is not limited to inspecting the swing set for cracks, excess wear, missing parts, loose connections, and for overall integrity. When the set shows any signs of weakness or damage, you must stop using the swing set immediately, properly store the set or restrict access by users until the condition is resolved.

TABLE OF CONTENTS

IMPORTANT WARNINGS AND INSTRUCTIONS	3
IMPORTANT CONSUMER INFORMATION SHEET	7
CARE AND MAINTENANCE CHECK LIST	12
COMPLETE PRODUCT VIEW	13
TOOLS NEEDED	14
WOOD PARTS LIST	15
HARDWARE PARTS LIST	18
COMPONENT PARTS LIST	19
ASSEMBLY AND INSTALLATION INSTRUCTIONS	20
HELPFUL TIPS	46
PRODUCT WARRANTY	47

Note: Before beginning assembly of product, make sure all parts are present. Compare parts with package content list and hardware contents. If any part is missing or damaged do not attempt to assemble the unit. Contact customer service for replacement parts.

IMPORTANT WARNINGS AND INSTRUCTIONS



WARNING

READ ALL INSTRUCTIONS BEFORE ASSEMBLING OR USING THIS EQUIPMENT

AGE LIMIT

- This product is designed to be used by up to eight (8) children between the ages of 3 to 10. Maximum individual user weight is 100 pounds (45kg) each with a combined maximum weight of 800 pounds (360kg.)
- The playset is designed for children over three (3) years of age. Use by smaller children can result in entrapment and serious injury.
- On-site adult supervision is required at all times for children of all ages.
- Do not allow use by children with any physical condition that may affect his/her ability to use this equipment safely.

BEFORE YOU BEGIN:

- Carefully read all instructions in this manual before assembling and using this product.
- The unit must be assembled by adults. Heavy duty working gloves must be worn to avoid injuries during assembly.
- Children must not use the equipment until it is properly assembled and anchored.
- Adult supervision is required during the use of this equipment at all times.
- Unpack all parts. Take a completed inventory of all parts and hardware using the parts and hardware lists in the following pages. If any parts are missing, do not return to the store. Please call customer service toll-free number listed on the cover page for assistance. Store the product back in the original box and do not begin to install until all parts are obtained.
- Never add extra length to chain or rope. The chains or ropes provided are the maximum length designed for the swinging element(s).

IMPORTANT:

- Children must NOT play on this set until it is properly assembled and inspected by an adult.
- The Wood Swing set must be properly installed and anchored BEFORE children can play on it.
- You MUST read and follow all instructions in this manual before installing or attempting to use the Wooden Swing Set.

Failure to follow these important requirements may result in the warranty being voided and/or serious injury. Please supervise your children carefully during the installation and assembly of the Wood Swing Set.

Please also pay close attention to the periodic maintenance that is required to keep your Wood Swing Set in a safe condition for maximum enjoyment of backyard fun!

IMPORTANT WARNINGS AND INSTRUCTIONS



WARNING

BEFORE YOU BEGIN ASSEMBLY:

- Take a complete inventory of components using the parts list.
- Sort and lay out the wood pieces. Label each piece of wood for easy reference. For easy identification during the assembly process, write the board's letter on masking tape and adhere to each piece of the wood. Some wooden components may twist or warp in the carton after packaging. Usually, these parts straighten out when assembled. You may also see some cracking of the grain. This is normal.
- Sort all hardware according to size. Do not worry if extra hardware is included.

FIND A SAFE PLAY LOCATION:

- You **MUST** install the Wooden Swing Set on level ground. Uneven ground must be leveled prior to installation. The manufacturer cannot assume responsibility for any failure from incorrect installation. Installing on sloping ground will put stress on all the joints, which will cause the set to become loose and unstable.
- Find a location where the equipment can be placed more than six (6) feet from any structure or obstruction (ex: electrical wires, branches, house, fence, garage). The safe play area refers to a zone extending six (6) feet beyond the swing set on all sides, including the space above the swing set.
- The safe play area must be free of all structures, landscaping, trees and branches, rocks, wires and other obstacles to safe play. Children can be seriously injured running or swinging into these obstacles.
- Remove any rocks or any jagged or sharp object that could endanger your children's' safety. Remove all tripping hazards from the safe play area. Tripping hazards include but are not limited to: roots, stumps, rocks, landscaping, sprinkler heads, railroad ties, plumbing, and electrical connections.
- Do **NOT** install your swing set over gravel, asphalt, packed earth or any other hard surface. The following is a list of recommended ground covers from the Consumer Product Safety Commission.

SUGGESTED MATERIAL	UNCOMPRESSED DEPTH
Double Shredded Bark Mulch	9"
Uniform Wood Chips	12"
Fine Gravel	12"
Fine Sand	12"

IMPORTANT WARNINGS AND INSTRUCTIONS



WARNING

READ ALL INSTRUCTIONS BEFORE ASSEMBLING OR USING THIS EQUIPMENT

Observing the following statements and warnings reduces the likelihood of serious or fatal injury.

PLAY SUPERVISION

- DO NOT allow more than one child to play on the individual swing or slide at the same time. DO NOT allow children to stand on the swing seat.
- DO NOT allow children to walk too close to moving parts. ALWAYS keep a safe distance to avoid being struck by other children while playing.
- DO NOT allow children to twist the swing chains or ropes, or loop them over the top support bar as this may reduce the strength of the chain or rope.
- Owners shall be responsible for maintaining the legibility of the warning labels.
- Instruct children not to use the equipment in a manner other than intended.
- DO NOT swing empty seats as this may cause injuries.
- ALWAYS guide children to sit in the center of swinging parts, with their full weight placed in the seat center and holding on to the swing chains.
- DO NOT allow children to jump off the equipment while it is in motion. ALWAYS come to a full stop before dismounting.
- ALWAYS dress children appropriately for playing, e.g. wear well-fitted rubber sole shoes, and remove loose or sharp items such as jewelry, hair accessories, scarves, ponchos that may become entangled in the equipment or cause injuries.
- ALWAYS make sure children remove their bike or other sports helmets before playing on the playground. Helmets can become entrapped in the playground, posing a strangulation hazard.
- DO NOT allow children to climb onto swing or jump to and from different play areas of the equipment. ALWAYS return safely to the ground before approaching another play area.
- DO NOT allow children to climb on structural parts (e.g. legs, top bar). These are structural components and are not designed for play.
- ALWAYS check the slide or other parts exposed to the body for extreme heat from the sun before allowing children to use the equipment.
- ALWAYS prevent access and secure from any unauthorized use when there is no adult supervision.
- DO NOT allow pets or other animals near the equipment to prevent damage or injuries.

IMPORTANT WARNINGS AND INSTRUCTIONS

INSPECTION PRIOR TO EACH USE OR DAILY INSPECTION

- DO NOT use the equipment if any bolts or nuts are missing or loose. ALWAYS check to ensure the equipment and all parts are well secured and stable before each use.
- ALWAYS clear the play area of any rocks, sharp objects, or any materials that could be potentially hazardous to users.
- DO NOT attach items to the equipment that are not specifically designed for use with the equipment, including, but not limited to, jump ropes, clothesline, pet leashes, cables and chains as they may cause choke hazards.
- The wood, steel and plastic parts used in your product are subject to normal wear. Gradual deterioration of the material will occur, the speed of which will depend on the level of exposure to UV rays, airborne pollution, outdoor weather conditions such as rain and wind and the amount of use. You must inspect the equipment prior to every use. This includes, but is not limited to inspecting the set for cracks, excess wear, missing parts, loose connections, and for overall integrity. When the set shows any signs of weakness, you must stop using the play set immediately, properly store the set or restrict access by users until the condition is resolved.
- Verify that the suspended climbing ropes, chain or cable are secured at both ends and tightened, so that there is no loose ropes, chain or cable hanging that can result in choking hazard.

WEATHER CONDITIONS

- DO NOT use this equipment if the swing seat, slide or other parts are wet. Use the swing set only when the parts are clean and dry. If the equipment is wet, the user could slip and suffer injuries.
- Please be aware of weather conditions when using the equipment. If it is too windy, users could lose control and suffer injuries. The playground equipment must be properly anchored, stored away or restricted from use during inclement weather such as heavy winds or severe weather storms. You should consult a local contractor about ways to anchor the product in your location.

DISPOSAL INSTRUCTIONS

- Please use care when disassembling the equipment. Wear heavy duty working gloves to avoid injuries.
- Fully disassemble the entire swing and climber before disposal. Do not leave partially disassembled equipment parts in areas accessible by children.

All plastic and steel parts could be recycled. Take it to your local recycling center. Do not let children play with any disassembled parts destined for disposal, such as chains, slide, tubing, bolts, nuts, screws, etc.

IMPORTANT CONSUMER INFORMATION SHEET

The Consumer Product Safety Commission estimates there are about 200,000 playground related injuries involving children each year. Injuries involving this hazard pattern tend to be among the most serious of all playground injuries and have the potential to be fatal, particularly when the injury is to the head. The surface under and around playground equipment can be a major factor in determining the injury-causing potential of a fall. It is self-evident that a fall onto a shock absorbing surface is less likely to cause a serious injury than a fall onto a hard surface. Playground equipment should never be placed on hard surfaces such as concrete or asphalt and while grass may appear to be acceptable it may quickly turn to hard packed earth in areas of high traffic. Shredded bark, mulch, wood chips, fine sand or fine gravel are considered to be acceptable shock absorbing surface when installed and maintained at a sufficient depth under and around playground equipment.

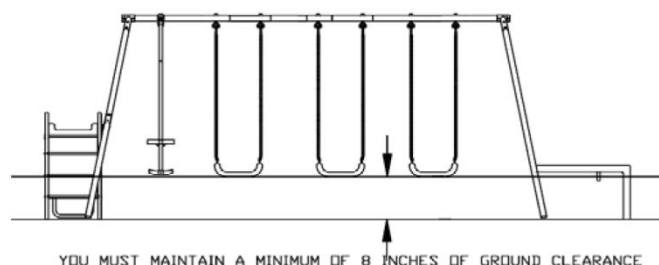
Table below lists the maximum height from which a child would not be expected to sustain a life-threatening head injury in a fall onto four different loose-fill surfacing materials if they are installed and maintained at depths of 6" (15.25CM), 9" (22.9CM), and 12" (30.5CM).

FALL HEIGHT IN FEET FROM WHICH			
TYPE OF MATERIAL	6"(15.25CM)DEPTH	9"(22.9CM)DEPTH	12"(30.5CM)DEPTH
Double shredded bark mulch	6"(15.25CM)	10"(25.4CM)	11"(27.94CM)
Wood Chips	6"(15.25CM)	7"(17.8CM)	12"(30.5CM)
Fine Sand	5"(12.7CM)	5"(12.7CM)	9"(22.86CM)
Fine Gravel	6"(15.25CM)	7"(17.8CM)	10"(25.4CM)

However, it should be recognized that all injuries due to falls cannot be prevented no matter what surfacing material is used. We recommend that a shock absorbing material should extend a minimum of 6ft in all directions from the perimeter of stationary equipment such as climbers and slides. However, because children may deliberately jump from a moving swing, the shock absorbing material should extend in the front and rear of a swing a minimum distance of 2 times the height of the pivot point measured from a point directly beneath the pivot on the supporting structure.

This information is intended to assist in comparing the relative shock-absorbing properties of various materials. No particular material is recommended over another. However, each material is only effective when properly maintained. Materials should be checked periodically and replenished to maintain correct depth as determined necessary for your equipment. The choice of a material depends on the type and height of the playground equipment, the availability of the material in your area and its cost.

Note: The maximum fall height for this product is 6 feet. The minimum ground Clearance between the bottom of the suspended plays and the playing or ground service must be 8 inches.



This information has been extracted from the CPSC publication on "Playground Safety". You can obtain more information by sending a postcard to the: Office of public Affairs, U.S. Consumer Product Safety Commission, Washington, D.C.20207

IMPORTANT CONSUMER INFORMATION SHEET

The following guidelines are extracts from the Consumer Product Safety Commission Outdoor Home Playground Safety Handbook. It is recommended that you read the entire handbook and take necessary precautions to prevent serious injuries to your children, including:

CHOOSING A SITE

- When you choose a home playground, a location away from roads and driveways and readily visible from inside the home and patios or porches, is important.
- Create a site free of obstacles that could cause injuries such as low overhanging tree branches, overhead wires, tree stumps and/or roots, large rocks, bricks and concrete.
- Choose a level location for the equipment. This can reduce the likelihood of the play set tipping over and loose-fill surfacing materials washing away during heavy rains. Some sites may need regrading to improve drainage or to reduce the slope.
- Locate play equipment at least 6 feet from any structure or obstacles, such as a house, fence, sheds, trees or poles. Swings should be further away from structures to the front and rear of the swings a distance equal to twice the height of the top bar from which the swing is suspended.
- Locate bare metal platforms and slides out of direct sunlight to reduce the likelihood of serious burns. A slide that faces north will receive the least direct sunlight.

SELECT PROTECTIVE SURFACING

One of the most important things you can do to reduce the likelihood of serious head injuries is to install shock-absorbing protective surfacing under and around your play equipment. The protective surfacing should be applied to a depth that is suitable for the equipment height in accordance with ASTM F1292. There are different types of surfacing to choose from; whichever product you select, follow these guidelines:

Do not install home playground equipment over concrete, asphalt, or any other hard surface. A fall onto a hard surface can result in serious injury to the equipment user. Grass and dirt are not considered protective surfacing because wear and environmental factors can reduce their shock absorbing effectiveness. Carpeting and thin mats are generally not adequate protective surfacing.

Loose-Fill Materials

- Maintain a minimum depth of 9 inches of loose-fill materials such as wood mulch/chips, engineered wood fiber (EWF), or shredded/recycled rubber mulch for equipment up to 8 feet high; and 9 inches of sand or pea gravel for equipment up to 5 feet high. NOTE: An initial fill level of 12 inches will compress to about a 9-inch depth of surfacing over time. The surfacing will also compact, displace, and settle, and should be periodically refilled to maintain at least a 9-inch depth.
- Use containment, such as digging out around the perimeter and/or lining the perimeter with landscape edging. Don't forget to account for water drainage.

IMPORTANT CONSUMER INFORMATION SHEET

- Check and maintain the depth of the loose-fill surfacing material. To maintain the right amount of loose-fill materials, mark the correct level on play equipment support posts. That way you can easily see when to replenish and/or redistribute the surfacing.
- **Do not** install loose fill surfacing over hard surfaces such as concrete or asphalt.

Poured-In-Place Surfaces or Pre-Manufactured Rubber Tiles

You may be interested in using surfacing other than loose-fill materials-like rubber tiles or poured-in-place surfaces.

- Installations of these surfaces generally require a professional and are not “do-it-yourself” projects.
- Review surface specifications before purchasing this type of surfacing. Ask the installer / manufacturer for a report showing that the product has been tested to the following safety standard: *ASTM F1292 Standard Specification for Impact Attenuation of Surfacing Materials within the Use Zone of Playground Equipment*. This report should show the specific height for which the surface is intended to protect against serious head injury. This height should be equal to or greater than the *fall height*-vertical distance between a designated play surface (*elevated surface for standing, sitting, or climbing*) and the protective surfacing below-of your play equipment.
- Check the protective surfacing frequently for wear.

PLACEMENT

Proper placement and maintenance of protective surfacing is essential. Be sure to:

- Extend surfacing at least 6 feet from the equipment in all directions.
- For to-fro swings, extend protective surfacing in front of and behind the swing to a distance equal to twice the height of the top bar from which the swing is suspended.

When conducting inspections, it is recommended that you use the Suggested General Maintenance Checklist and Routine Inspection and Maintenance Issues checklists provided by the US Consumer Product Safety Commission, a copy of which is contained in this user manual.

IMPORTANT CONSUMER INFORMATION SHEET

Outdoor Home Playground Safety Checklist

Use this to help make your home playground a safe place to play!

Supervision	Be sure to always supervise children on play equipment.
Surfacing	<p>Install a protective surface under and around play equipment to reduce the likelihood of serious head injuries.</p> <p>For most play equipment, install protective surfacing 6 feet in all directions beyond the equipment.</p> <p>For swings, extend protective surfacing in front and back of the swing to a distance that is twice the height of the bar from which the swing is suspended.</p> <p>For tire swings, install protective surfacing outward from the swing equal to the suspension chain plus 6 feet.</p>
Types of Surfacing	<p>Carpeting and thin mats are not adequate as protective surfacing.</p> <p>Maintain at least 9 inches of loose-fill material (see page 6) or use an ASTM F1292 rated material at the depth required for the equipment height.</p> <p>Use wood mulch/chips, shredded rubber mulch, or engineered wood fiber for equipment up to 8 feet high.</p> <p>Use sand, pea gravel, or mulch products listed above for play equipment up to 5 feet high; or</p> <p>Use surface mats tested to provide impact protection equal to or greater than the height of the play equipment.</p>
Equipment Maintenance	Periodically check nuts, bolts, caps, swing seats, suspension ropes, chains, and cables and replace as necessary. Maintain loose-fill surfacing and surface mats.
Opening	<p>Eliminate openings that can trap a child's head or neck, such as openings in guardrails or ladders.</p> <p>Openings should be smaller than 3 1/2 inches to prevent entry of a small child's body, or larger than 9 inches to allow a child's head and body to slide completely through.</p>
Ropes	Never attach jump ropes, clotheslines, pet leashes, or cords of any kind to play equipment. Anchor any climbing ropes at both ends. Remove drawstrings from children's clothes. Children can strangle on these.
Anchors	<p>Bury or cover anchors with adequate surfacing material to prevent tripping.</p> <p>Play equipment should not tip over.</p>
Guardrails or Barriers	Make sure that platforms and ramps over 30 inches high have guardrails and barriers to prevent falls.
Repair	Repair sharp points and edges on equipment that can cause injuries.
Upkeep of Hardware	Replace missing hardware, eliminate protruding bolts, and close "S" hooks that can cause injuries.

IMPORTANT CONSUMER INFORMATION SHEET

What to Inspect:

Hardware:

Inspect all nuts and bolts and tighten if required. Hardware should be firmly against, but not crushing the wood. Over-tightening hardware crushes wood fibers and can split wooden components resulting in the bolt thread extending beyond the wood. This poses a severe safety hazard. If bolt threads protrude beyond the wood surface, replace the bolt with a shorter one that will not protrude. If splintering has occurred from over-tightening, larger washers can be purchased at your local hardware store and installed under the bolt head. Be sure to reuse or replace your lock washers.

Major Wooden Parts:

Inspect for structural defects and splintering. If necessary, lightly sand and refinish with an exterior water repellent stain. Seasonal checking or cracking of the grain on wooden parts is quite natural, water and heat are the most frequent causes of expansion and contraction of wood fibers. Our wood set has been treated with stain to resist weathering. But it needs to be maintained periodically by applying new stain or paint.

Dowels (Rungs)

Inspect for structural defects and splintering. If necessary, lightly sand and refinish with a clear water repellent, exterior sealant or boiled linseed oil. Do NOT paint, varnish or finish rungs with any substance that may reduce your child's ability to firmly grasp or step on the rungs.

Swing hangers

Inspect for correct installation. Assure the bend of the swing hanger is positioned tightly against the stop washer and the ladder or swing beam. The axis of the swing hanger bushing must be perpendicular to the swing motion. Spray the nylon bushings with a household lubricant such as WD-40, if you hear squeaking.

Plastic Swing Seats

Check for evidence of deterioration. Replace any swing seat that has developed cracks in the seat or has exposed metal in the edges of the swing seat. If there are already exposed metal inserts on the edge of the seat, remove the seats and chains to prevent serious injury. Remove plastic swing seats and take indoors or do NOT use when the temperature drops below 32 degrees F.

Ropes, Cables and Chains

Check for evidence of deterioration. Ropes, cables and chains should be removed and replaced if excessive wear is found. Contact our service center for replacement parts.

Metallic Components

Check for rusted areas on components such as monkey bars, hand supports, brackets, etc. Sand and repaint using a non-lead-based paint that meets the requirements of Title 16 CRF part 1303.

Play Area

Inspect to assure that the swing set has settled properly and the location of the set is still level.

CARE AND MAINTENANCE CHECK LIST

AT THE BEGINNING OF EACH PLAY SEASON:

- Tighten all hardware.
- Lubricate all metallic moving parts per manufacturer's instructions.
- Check all protective coverings on bolts, pipes, edges, and corners. Replace if they are loose, cracked, or missing.
- Check all moving parts including swing seats, ropes, cables, and chains for wear, rust, or other deterioration. Replace as needed.
- Check metal parts for rust. If found, sand and repaint using a nonlead-based paint meeting the requirements of 16 CFR 1303.
- Check all wood members for deterioration and splinters. Sand down splinters and replace deteriorating wood members.
- Reinstall any plastic parts, such as swing seats or any other items that were removed for the cold season.
- Rake and check depth of loose fill protective surfacing materials to prevent compaction and to maintain appropriate depth. Replace as necessary.

TWICE A MONTH DURING PLAY SEASON:

- Tighten all hardware.
- Check all protective coverings on bolts, pipes, edges, and corners. Replace if they are loose, cracked, or missing.
- Rake and check depth of loose fill protective surfacing materials to prevent compaction and to maintain appropriate depth. Replace as necessary.

ONCE A MONTH DURING PLAY SEASON:

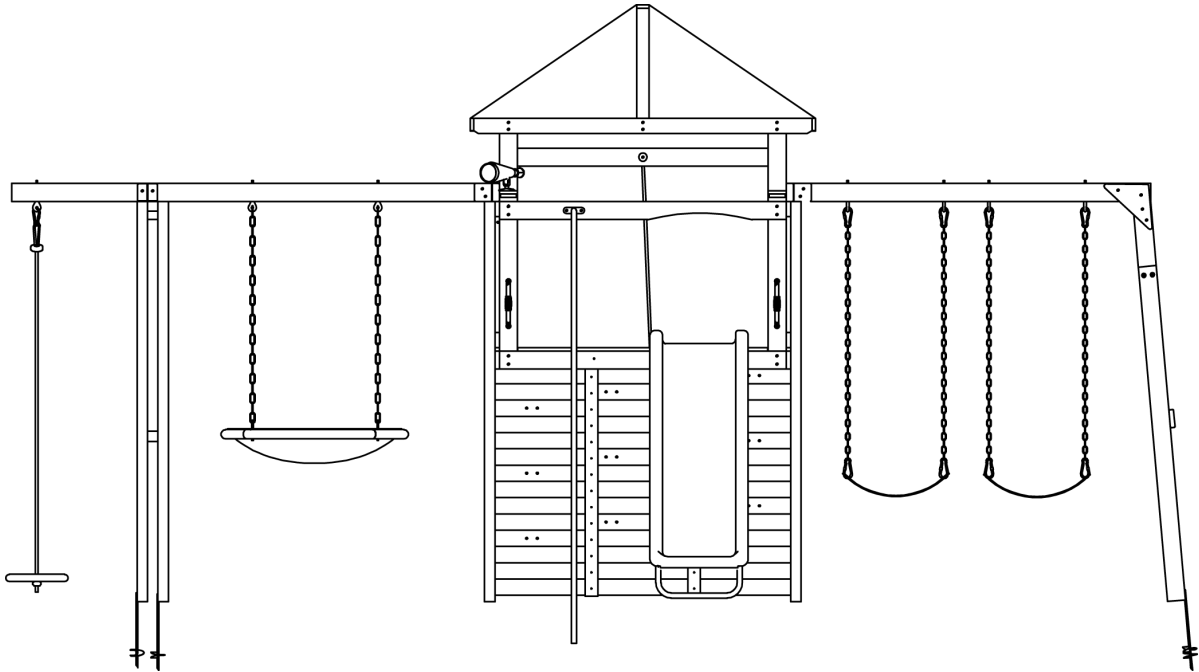
- Lubricate all metallic moving parts per manufacturer's instructions.
- Check all moving parts including swing seats, ropes, cables, and chains for wear, rust, or other deterioration. Replace as needed.
- At the end of each play season or when the temperature drops below 32°F.
- Remove plastic swing seats and other items as specified by the manufacturer and take indoors or do not use.
- Rake and check depth of loose fill protective surfacing materials to prevent compaction and to maintain appropriate depth. Replace as necessary.

AT THE END OF EACH PLAY SEASON:

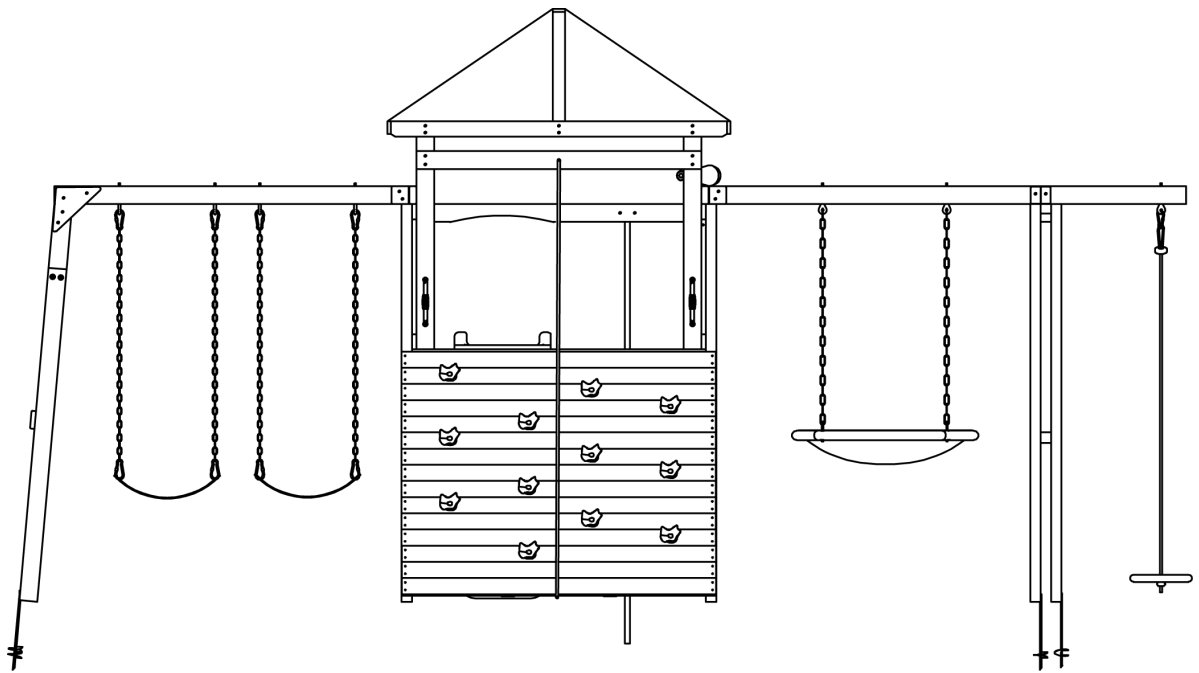
- At the end of each play season or when the temperature drops below 32 degrees F (0 degrees C).
- Remove plastic swing seats and other items as specified by the manufacturer and take indoors or do not use.
- Rake and check depth of loose fill protective surfacing materials to prevent compaction and to maintain appropriate depth. Replace as needed.
- As a general rule, maintenance should be performed at any time it is deemed necessary.

COMPLETE PRODUCT VIEW

FRONT VIEW OF COMPLETE PRODUCT



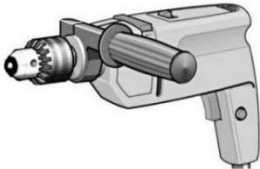
BACK VIEW OF COMPLETE PRODUCT



TOOLS (NOT INCLUDED)

These are the tools that are generally required for installation.

These tools are not included in the purchased packaging unless stated below.



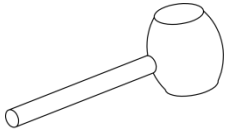
Electric Drill



Phillips Head Screw Driver



Ladder or Step Tool



Rubber Mallet



Phillips Head Screwdriver



Tape Measure



Working Gloves

TOOLS (INCLUDED)



Special Socket Wrench

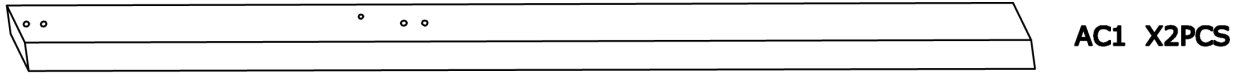


Big Allen Wrench (#6)

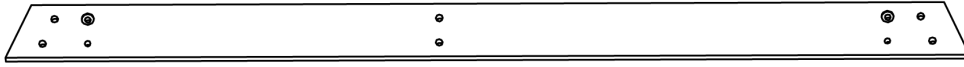


Small Allen Wrench (#5)

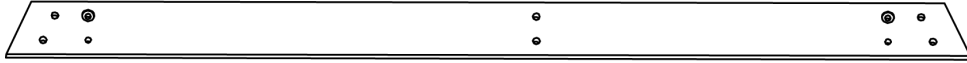
WOOD PARTS LIST



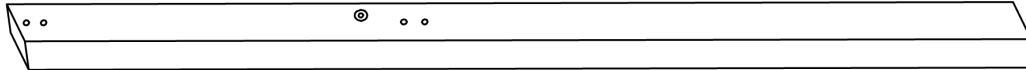
AC1 X2PCS



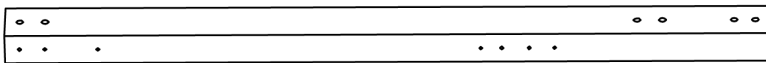
AC2 X1PC



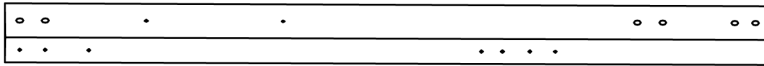
AC3 X1PC



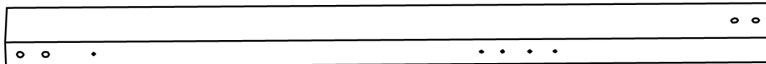
AC4 X2PCS



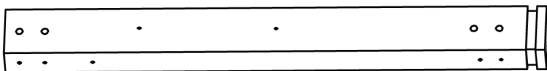
AC5 X1PC



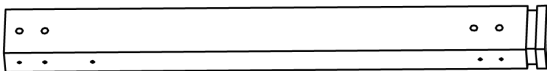
AC6 X1PC



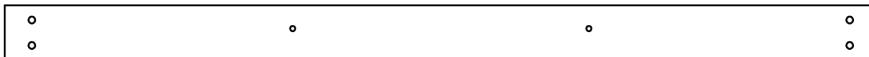
AC7 X2PCS



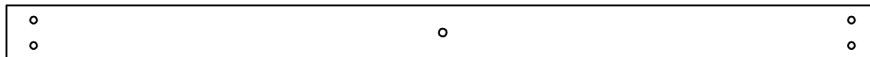
AC8 X1PC



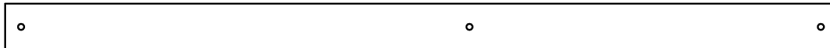
AC8A X1PC



AC9 X2PCS



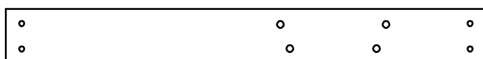
AC10 X1PC



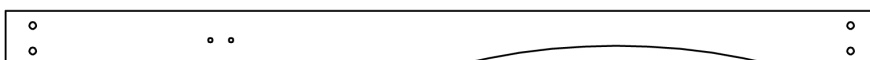
AC11 X2PCS



AC12 X1PC

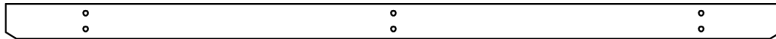


AC12A X1PC

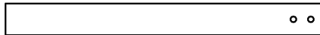


AC13 X1PC

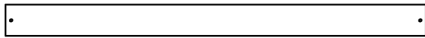
WOOD PARTS LIST



AC14 X2PCS



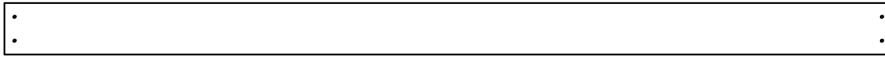
AC15 X2PCS



AC16 X2PCS



AC17 X1PC



AC18 X3PCS



AC19 X6PCS



AC20 X6PCS



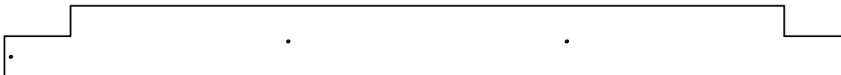
AC21 X2PCS



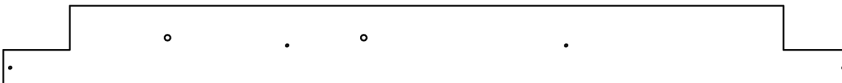
AC22 X1PC



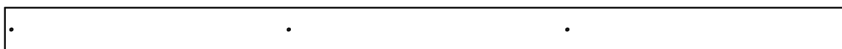
AC23 X13PCS



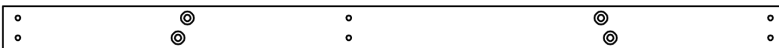
AC24 X1PC



AC25 X1PC



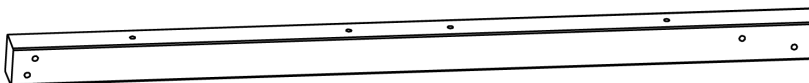
AC26 X1PC



AC27 X1PC

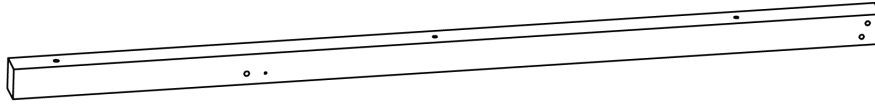


AC28 X1PC



AC29 X1PC

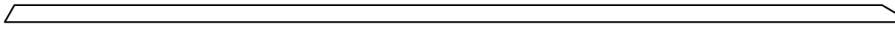
WOOD PARTS LIST



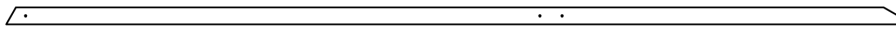
AC30 X1PC



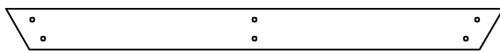
AC31 X1PC



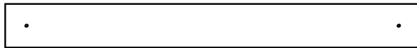
AC32 X1PC



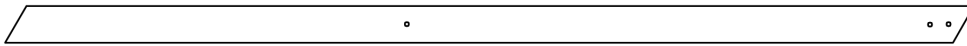
AC33 X1PC



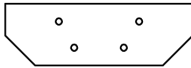
AC34 X1PC



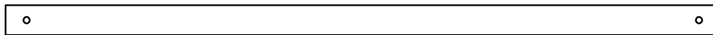
AC35 X14PCS



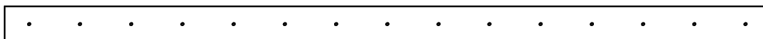
AC36 X2PCS



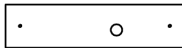
AC37 X1PC



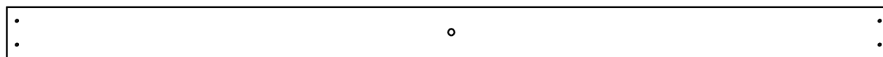
AC38 X1PC



AC39 X2PCS

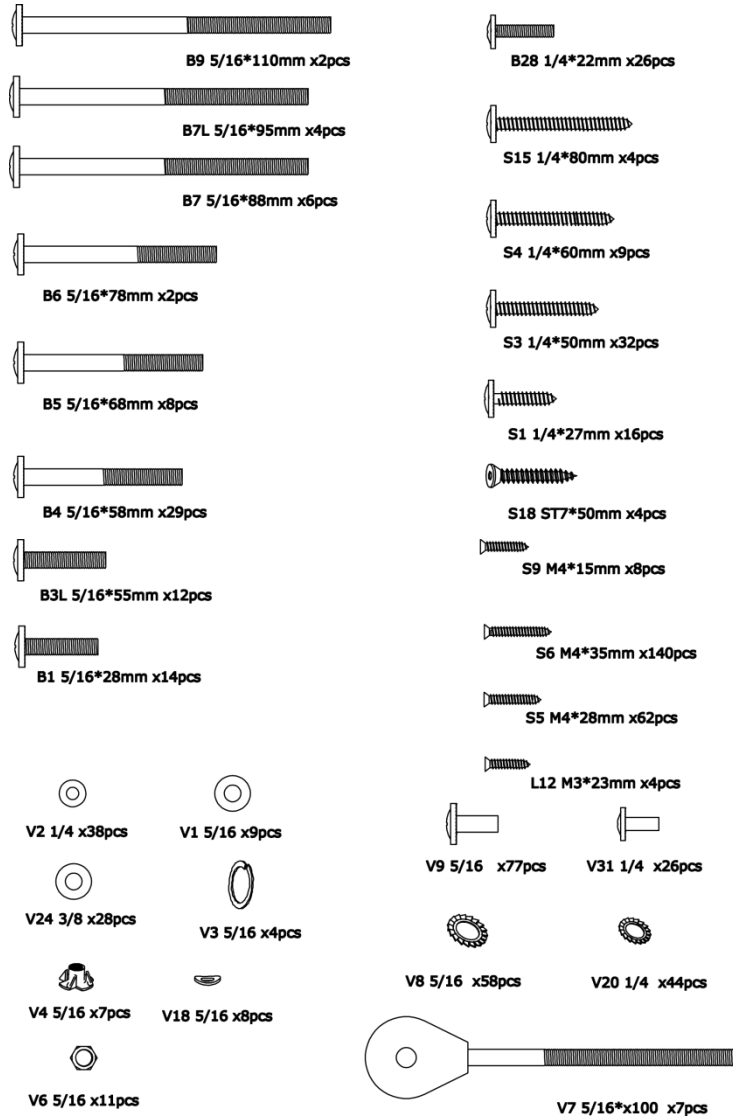


AC40 X2PCS



AC41 X1PC

HARDWARE PARTS LIST



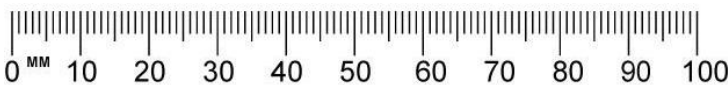
NOTE: EXTRA HARDWARE MAY BE INCLUDED

Measuring Hardware

It is very important that you get the right hardware in the correct place when assembling the unit. You can use a ruler to measure your hardware or you can compare the hardware to the hardware identification page.

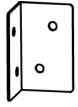
NOTES:

- 1) Do not include bolt head when measuring length of bolt.
- 2) Include full length of deck screw when measuring

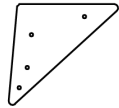


NOT TO SCALE

COMPONENT PARTS LIST



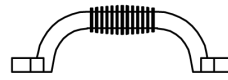
U2 x4pcs



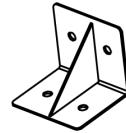
U3 x2pcs



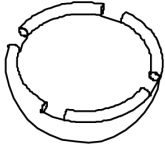
U4 x12pcs



U42 x4pcs



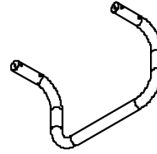
U92 x2pcs



U93 x1pc



U94 x4pcs



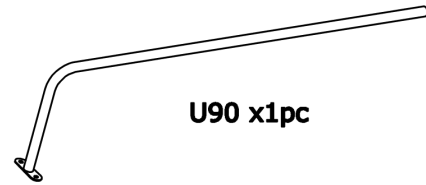
U10D x1pc



U50 x4pcs



U88 x2pcs



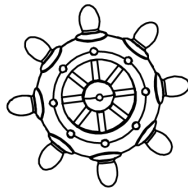
U90 x1pc



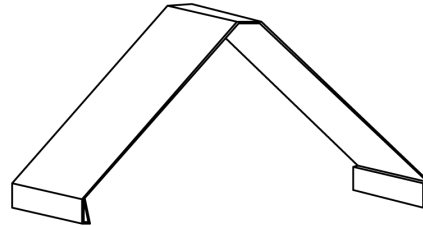
U91 x1pc



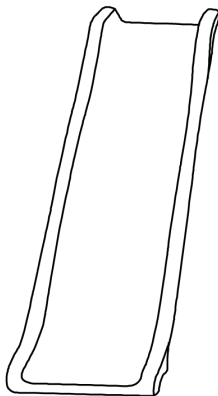
U60 x1pc



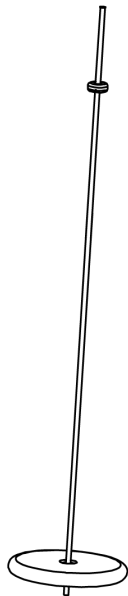
U61 x1pc



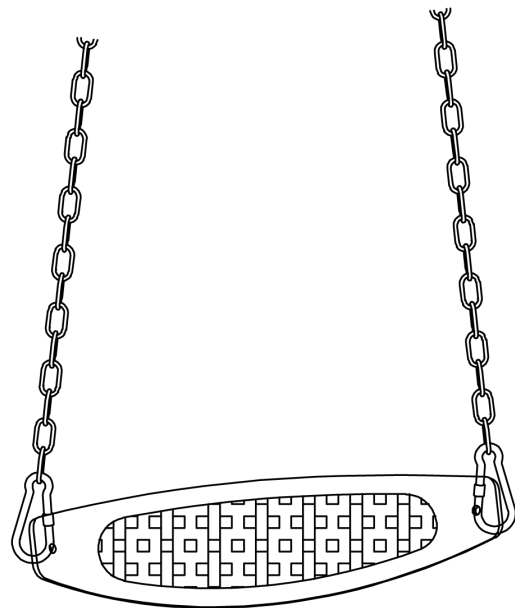
U658 x1pc



U7 x1pc



U89 x1pc



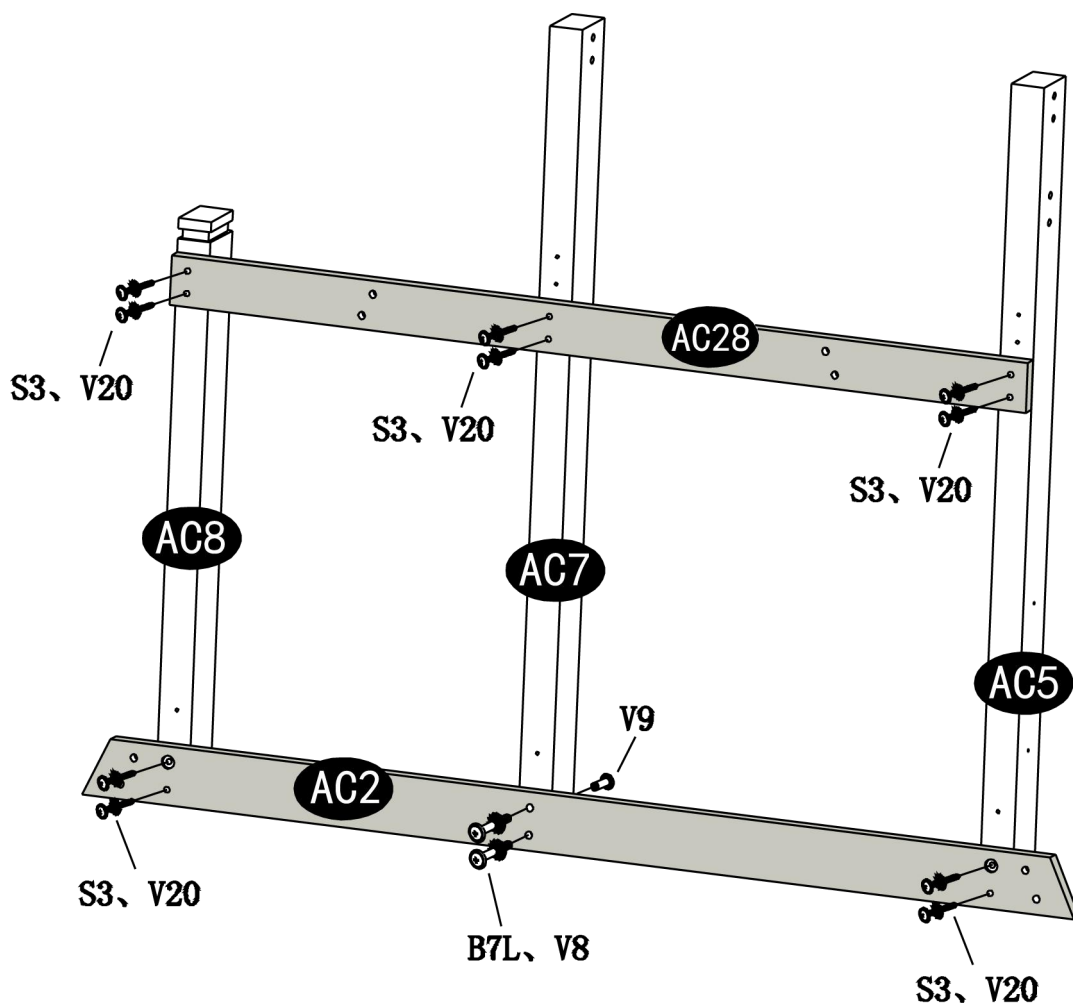
U5 x2pcs

STEP 1

Part#	Qty	Hardware#	Qty
AC2	1 pc	S3 , V20	10 sets
AC5	1 pc	B7L,V8,V9	2 sets
AC7	1 pc		
AC8	1 pc		
AC28	1 pc		

1. Connect AC2 to AC5, AC7 and AC8 using S3 and V20 (4 sets), using B7L, V8 and V9 (2 sets).
2. Connect AC28 to AC5, AC7 and AC8 using S3 and V20 (6 sets).

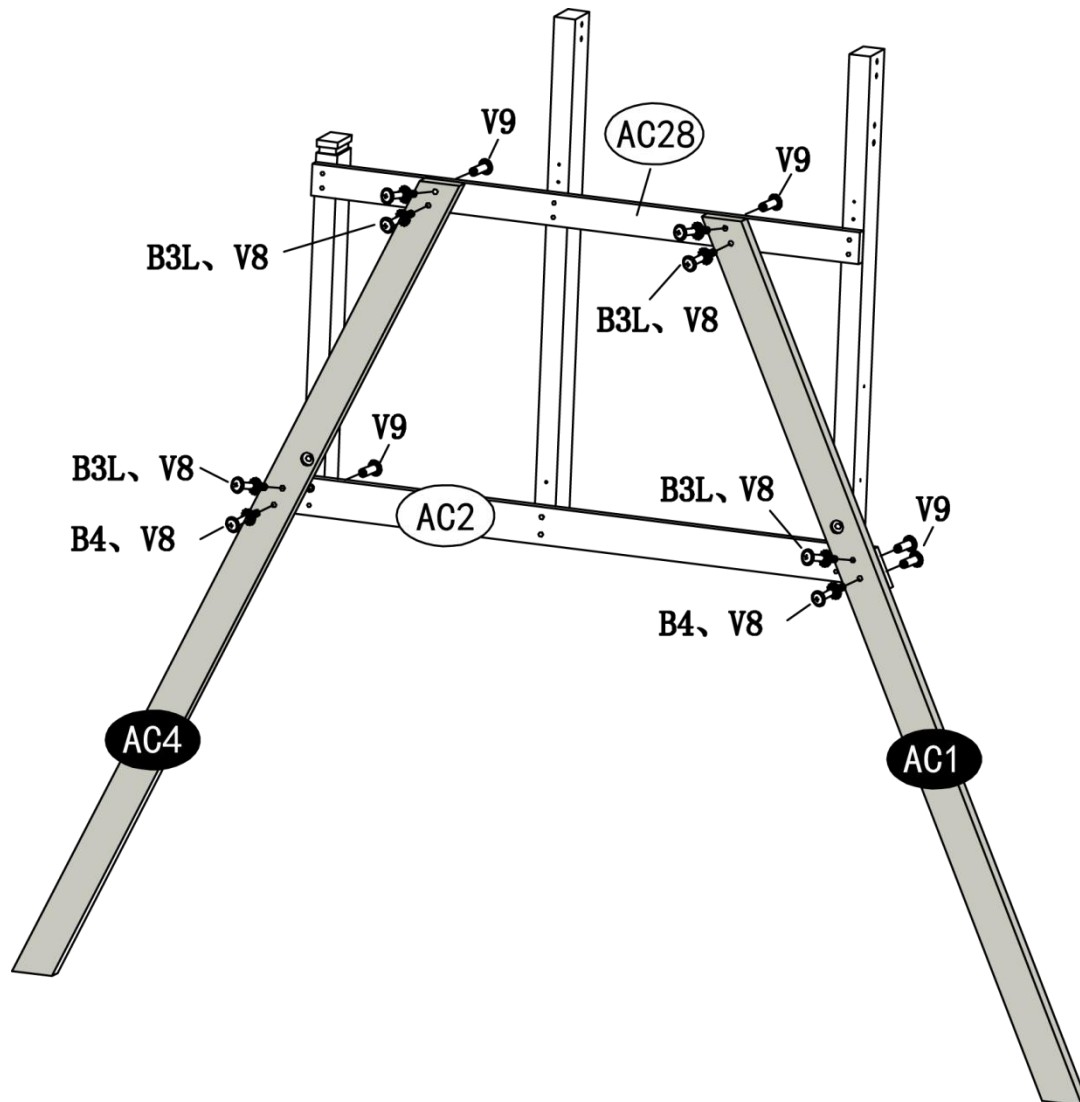
© Helpful Hint: Do not fully tighten. Make sure the pre-drilled holes align correctly according to the image.



STEP 2

Part#	Qty	Hardware#	Qty
AC1	1 pc	B3L,V8,V9	6 sets
AC4	1 pc	B4,V8,V9	2 sets

1. Connect AC1 to AC2 and AC28, using B3L, V8 and V9 (3 sets), using B4, V8 and V9 (1 set).
2. Connect AC4 to AC2 and AC28, using B3L, V8 and V9 (3 sets), using B4, V8 and V9 (1 set).

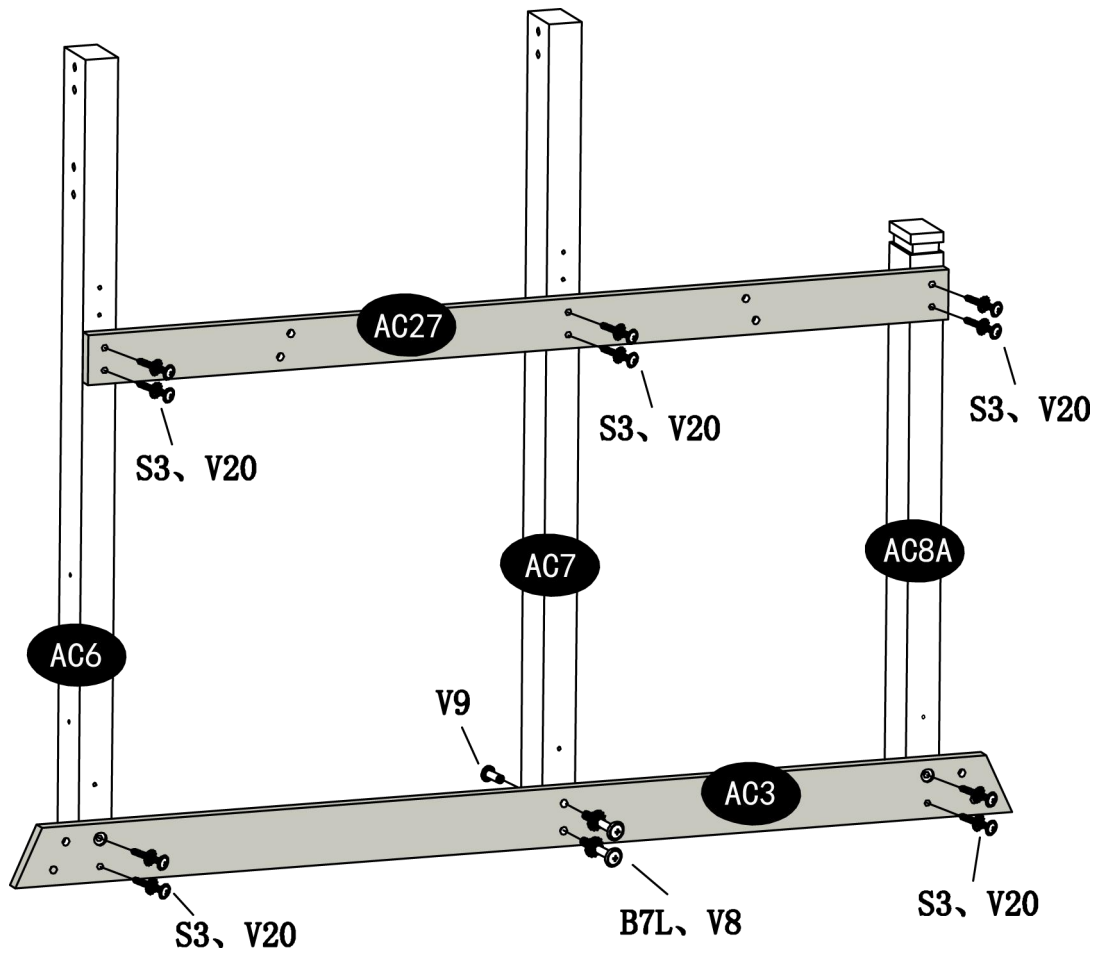


STEP 3

Part#	Qty	Hardware#	Qty
AC3	1 pc	B7L,V8,V9	2 sets
AC6	1 pc	S3,V20	10 sets
AC7	1 pc		
AC8A	1 pc		
AC27	1 pc		

1. Connect AC3 to AC6, AC7 and AC8A using S3 and V20 (4 sets), using B7L, V8 and V9 (2 sets).
2. Connect AC27 to AC6, AC7 and AC8A using S3 and V20 (6 sets).

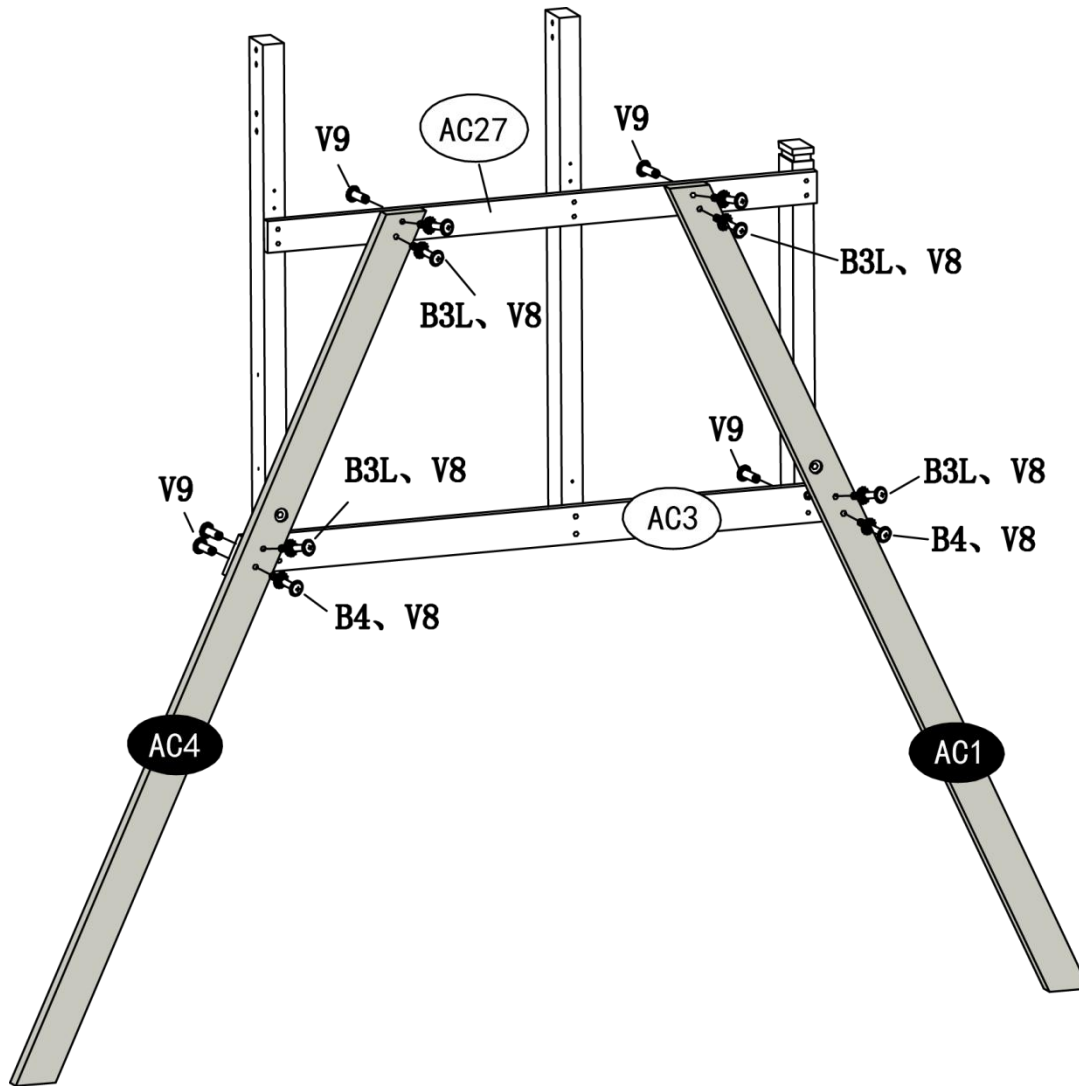
© Helpful Hint: Do not fully tighten.



STEP 4

Part#	Qty	Hardware#	Qty
AC1	1 pc	B3L,V8,V9	6 sets
AC4	1 pc	B4,V8,V9	2 sets

1. Connect AC1 to AC3 and AC27, using B3L, V8 and V9 (3 sets), using B4, V8 and V9 (1 set).
2. Connect AC4 to AC3 and AC27, using B3L, V8 and V9 (3 sets), using B4, V8 and V9 (1 set).

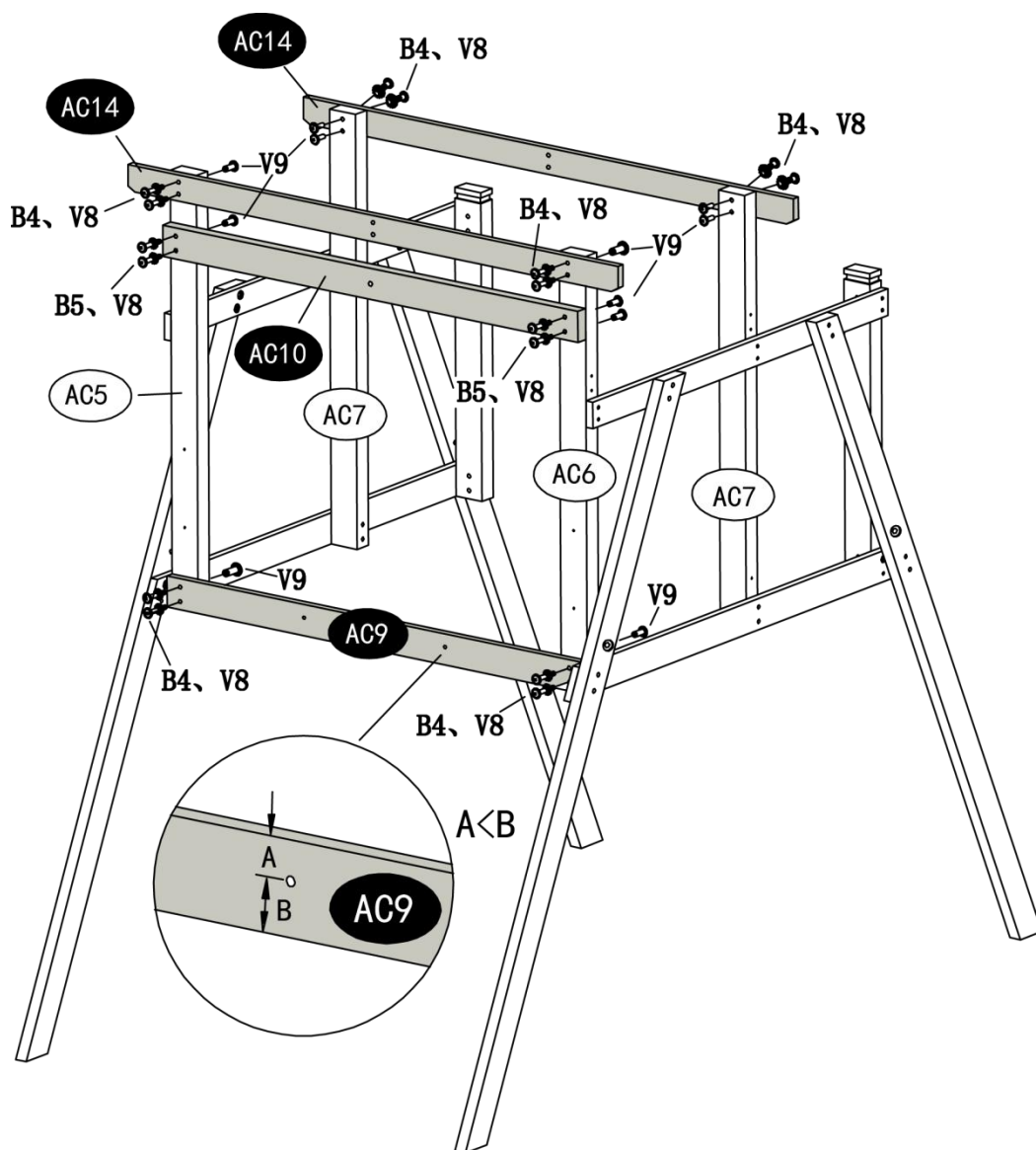


STEP 5

Part#	Qty	Hardware#	Qty
AC9	1 pc	B4,V8,V9	12 sets
AC10	1 pc	B5,V8,V9	4 sets
AC14	2 pcs		

1. Connect AC9 to AC5 and AC6 using B4, V8 and V9 (4 sets).
2. Connect AC10 to AC5 and AC6 using B5, V8 and V9 (4 sets).
3. Connect AC14 to AC5 and AC6 using B4, V8 and V9 (4 sets).
4. Connect AC14 to AC7 using B4, V8 and V9 (4 sets).

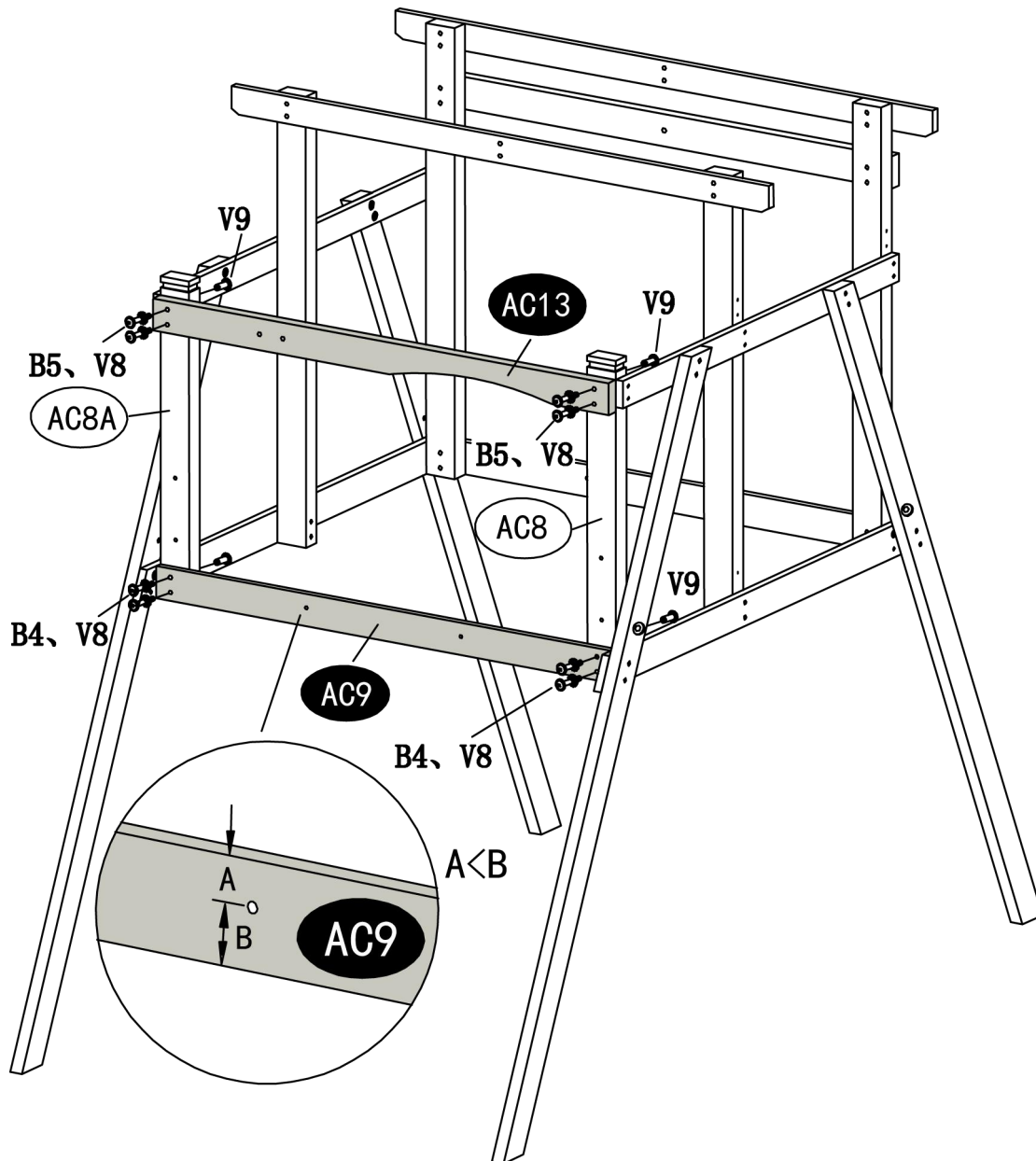
☺ Helpful Hint: Make sure that the legs are parallel with each other.



STEP 6

Part#	Qty	Hardware#	Qty
AC9	1 pc	B4,V8,V9	4 sets
AC13	1 pc	B5,V8,V9	4 sets

1. Connect AC9 to AC8 and AC8A using B4, V8 and V9 (4 sets).
2. Connect AC13 to AC8 and AC8A using B5, V8 and V9 (4 sets).

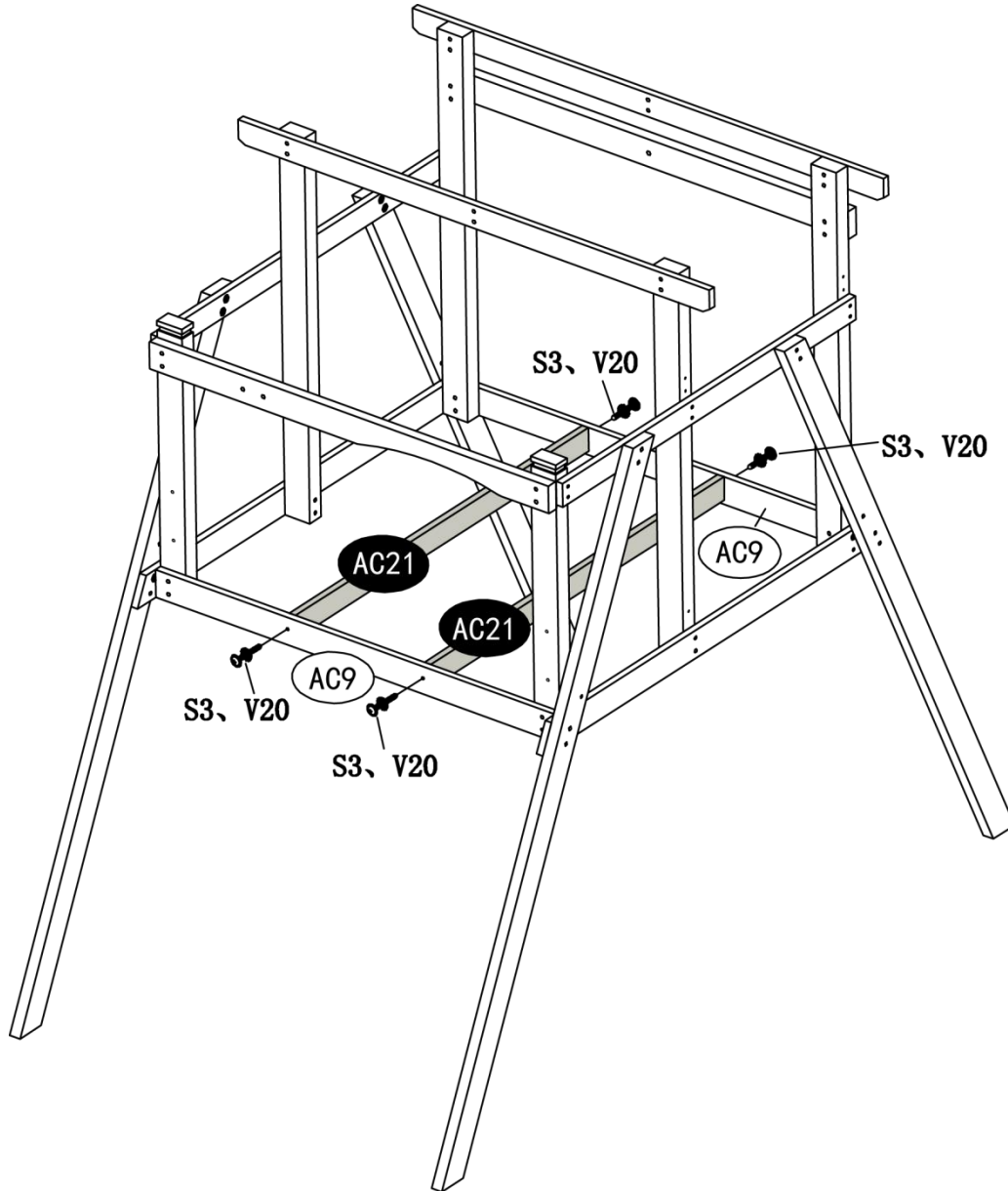


STEP 7

Part#	Qty	Hardware#	Qty
AC21	2 pcs	S3,V20	4 sets

1. Connect AC21 to AC9 using S3 and V20 (4 sets).

© Helpful Hint: Make sure the small pre-drilled holes face upward on A21.

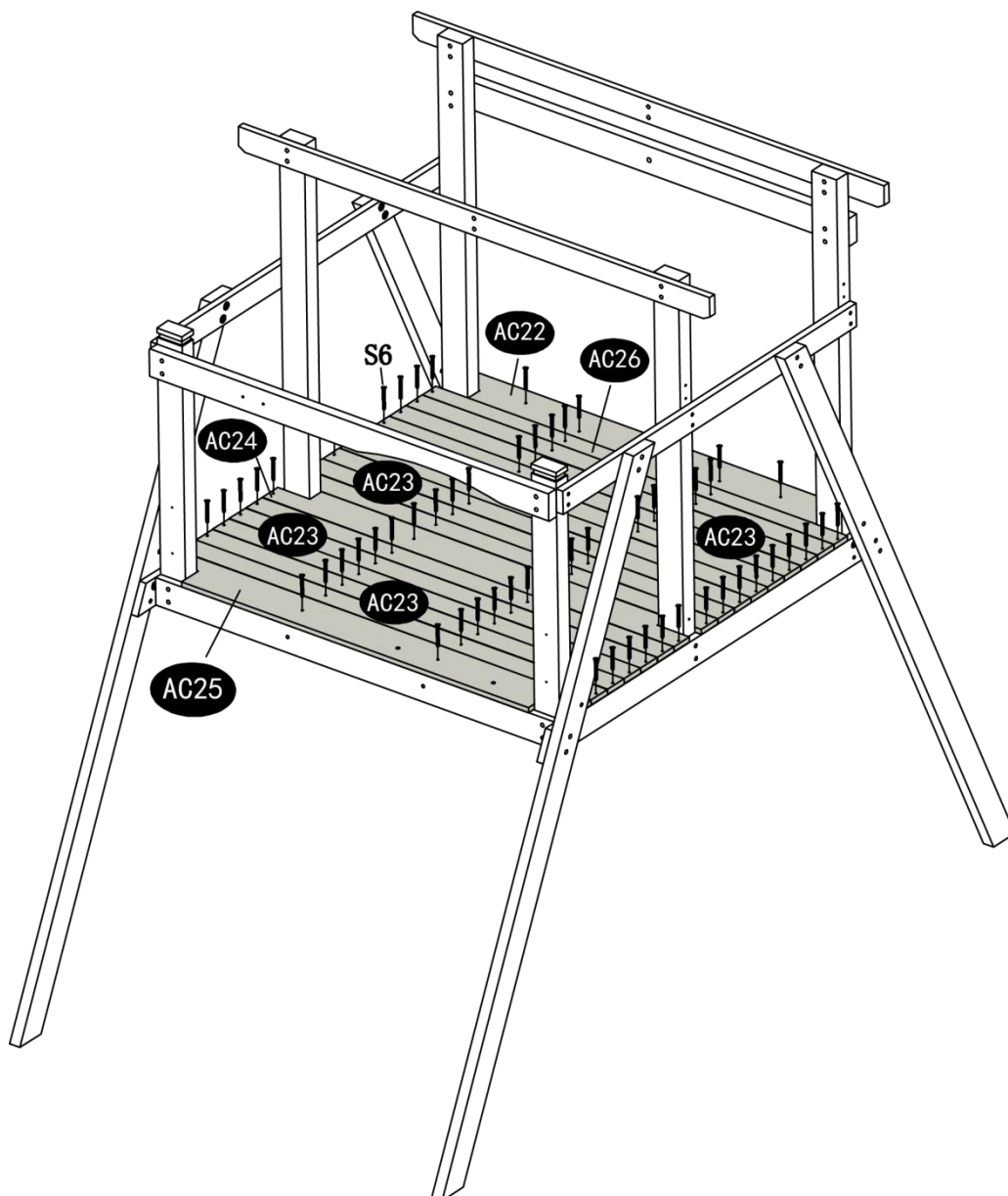


STEP 8

Part#	Qty	Hardware#	Qty
AC22	1 pc	S6	70 pcs
AC23	13 pcs		
AC24	1 pc		
AC25	1 pc		
AC26	1 pc		

1. Connect AC22, AC26, AC23, AC24, AC25 to the play fort using S6 (70 pcs).

☺ Helpful Hint: Place all boards before securing to the structure.

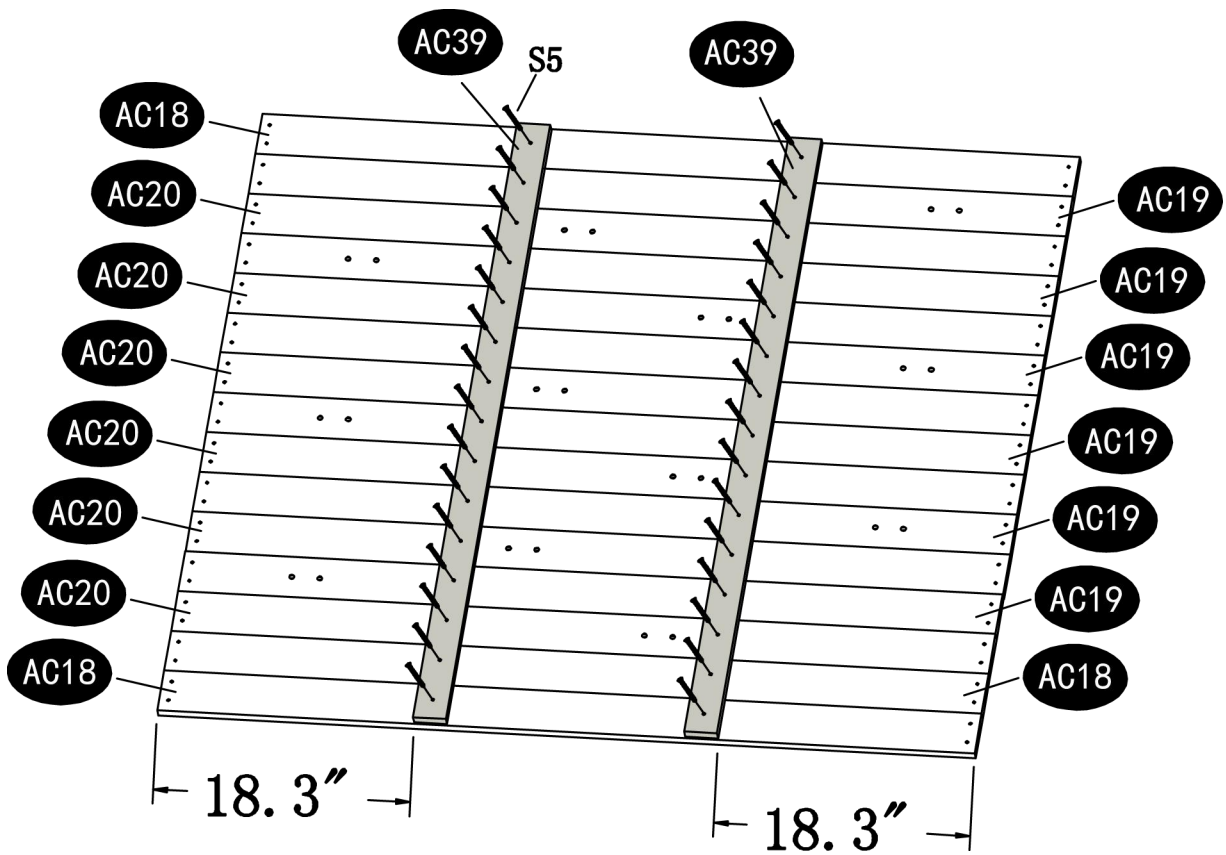


STEP 9

Part#	Qty	Hardware#	Qty
AC18	3 pcs	S5	30 pcs
AC19	6 pcs		
AC20	6 pcs		
AC39	2 pcs		

1. Connect AC39 to AC18, AC19 and AC20 using S5 (30 pcs).

☺ Helpful Hint: Make sure that you lay the boards A18 - A20 on a flat surface, the distance is 18.3".

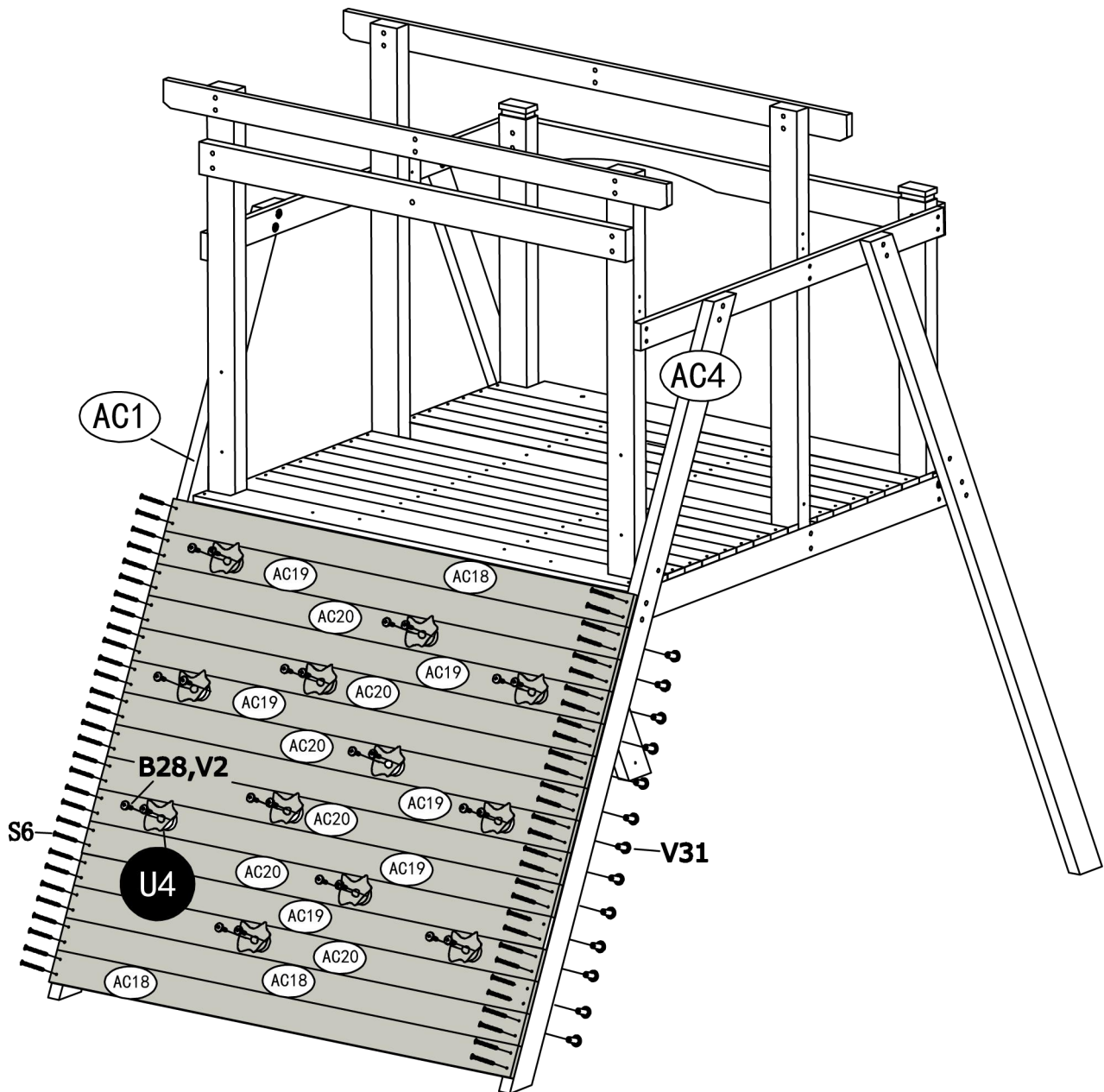


STEP 10

Part#	Qty	Hardware#	Qty
U4	12 pcs	B28,V2,V31	24 sets
		S6	60 pcs

1. Connect AC18, AC19 and AC20 to AC1 and AC4 using S6 (60 pcs).
2. Connect U4 to AC19 and AC20 using B28, V2 and V31 (24 sets).

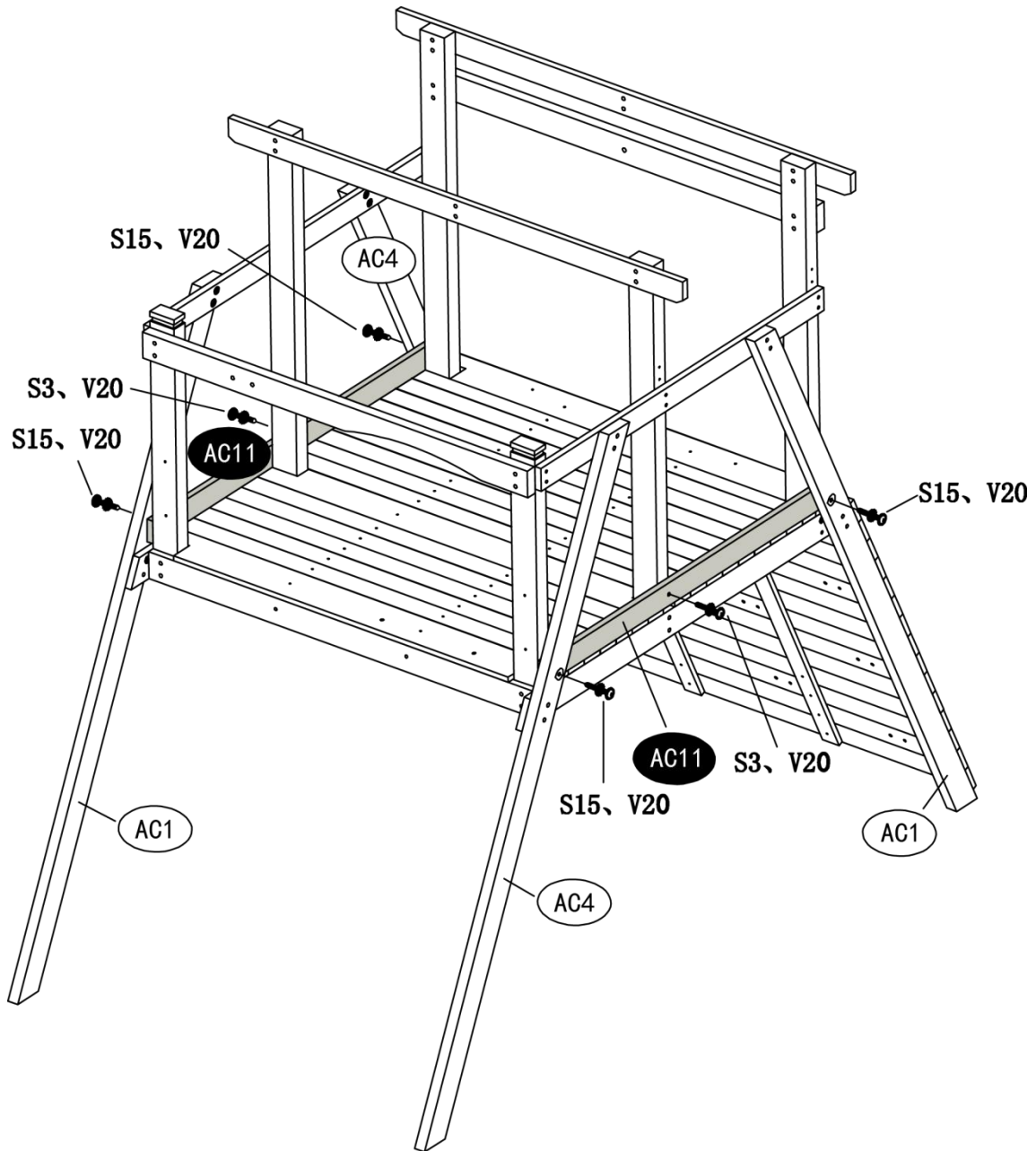
© Helpful Hint: Make sure the climbing board is flush with the fort floor boards before securing.



STEP 11

Part#	Qty	Hardware#	Qty
AC11	2 pcs	S3, V20	2 sets
		S15, V20	4 sets

1. Connect AC11 to AC1 and AC4 using S3, V20 (2 sets) and S15, V20 (4 sets).

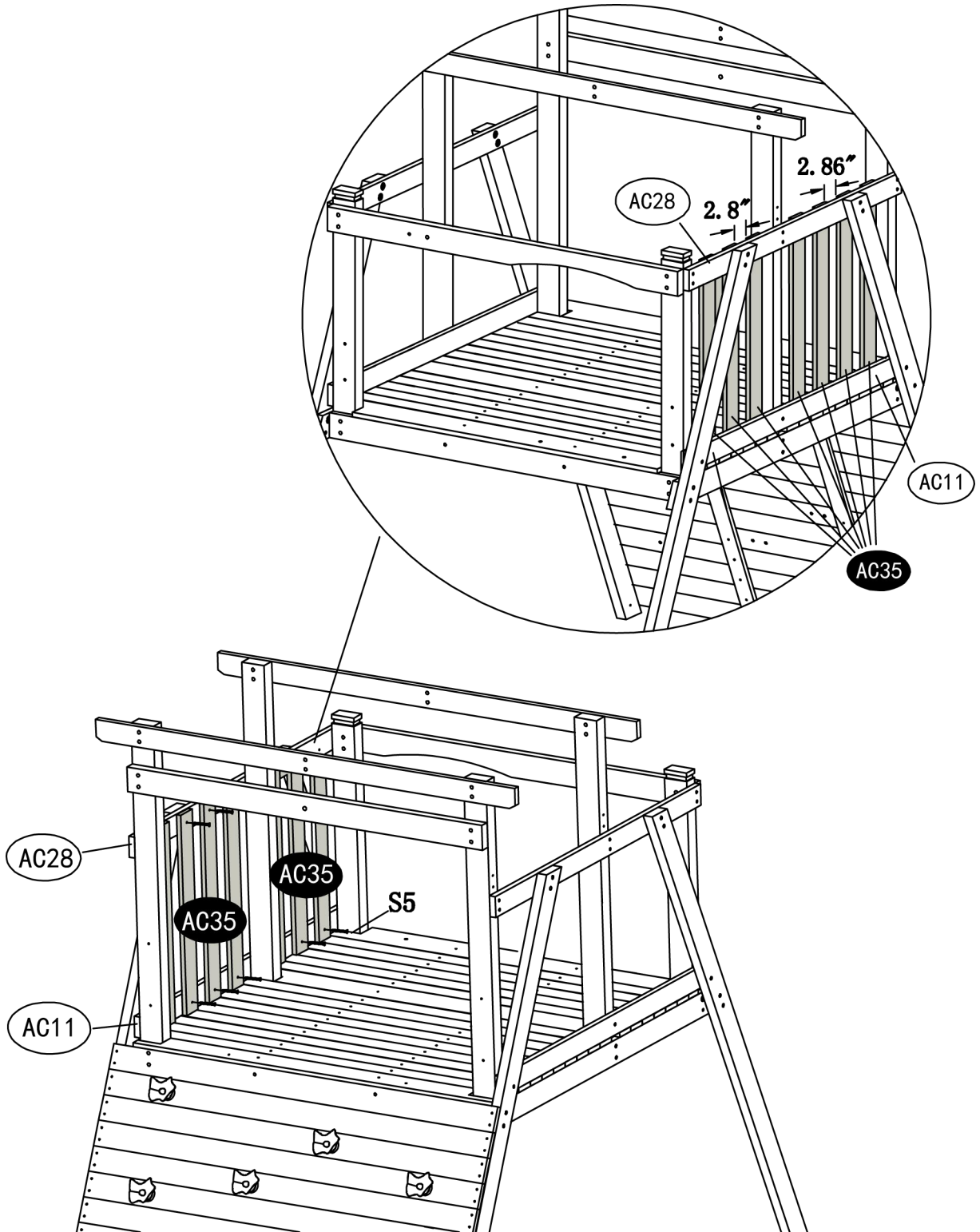


STEP 12

Part#	Qty	Hardware#	Qty
AC35	7 pcs	S5	14 pcs

1. Connect AC35 to AC28 and AC11 using S5 (14 pcs).

© Helpful Hint: make sure AC35 boards are no more than 2.8" and 2.86" apart from each other as show as DIAGRAM.

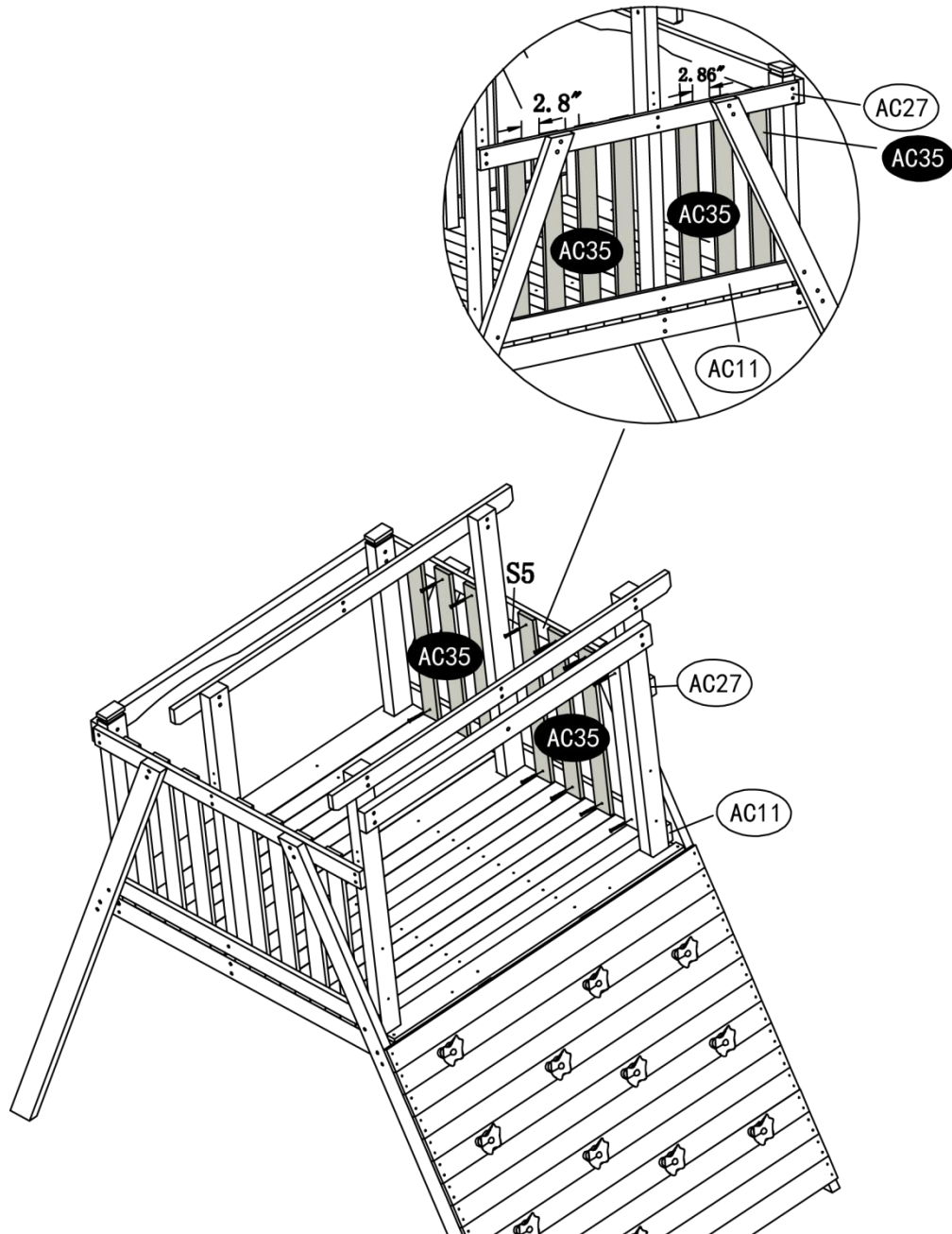


STEP 13

Part#	Qty	Hardware#	Qty
AC35	7 pcs	S5	14 pcs

1. Connect AC35 to AC27 and AC11 using S5 (14 pcs).

© Helpful Hint: Make sure AC35 are no more than 2.8" and 2.86" apart from each other as show as DIAGRAM.

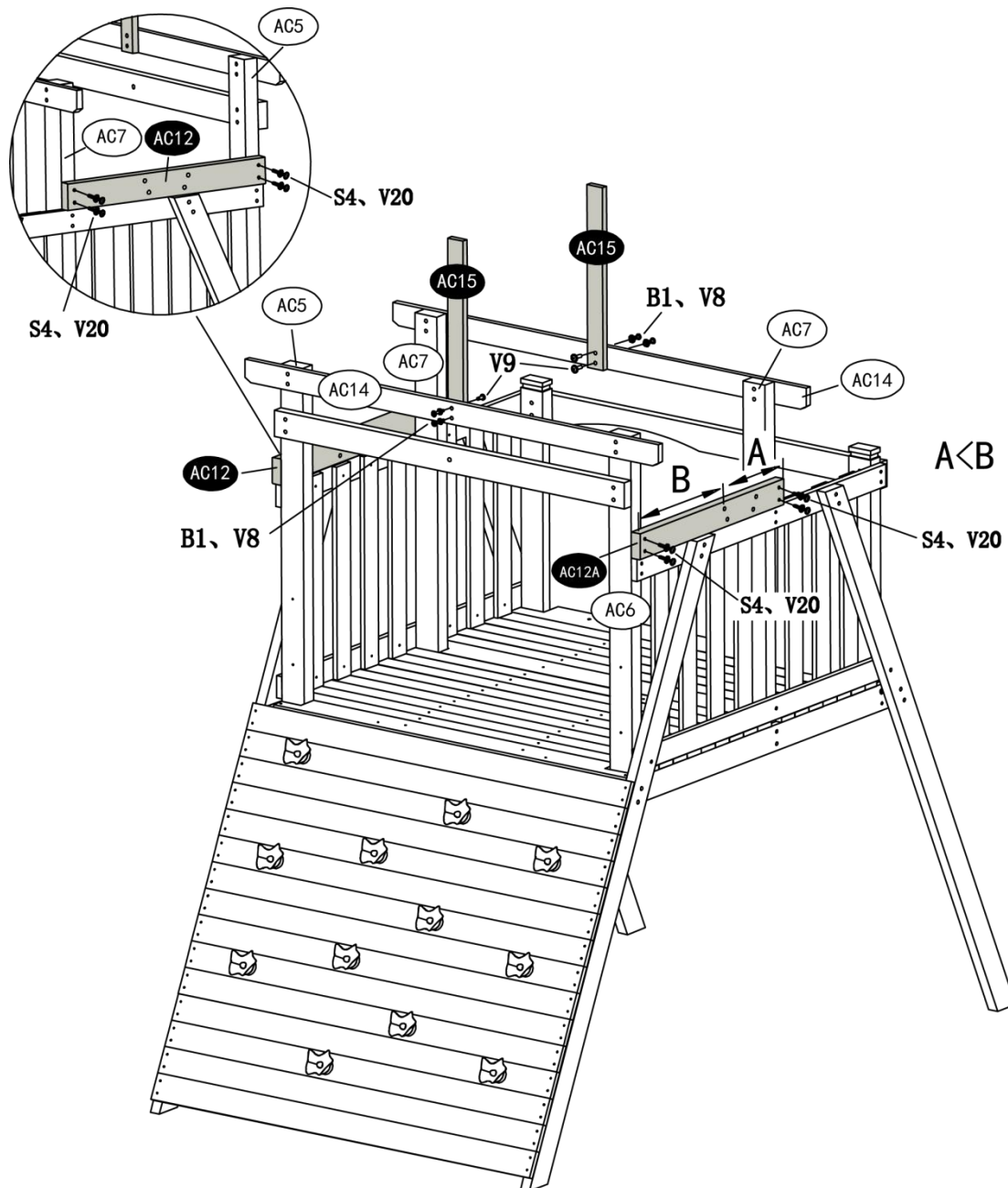


STEP 14

Part#	Qty	Hardware#	Qty
AC12	1 pc	S4,V20	8 sets
AC12A	1 pc	B1,V8,V9	4 sets
AC15	2 pcs		

1. Connect AC12 to AC5 and AC7 using S4, V20 (4 sets).
2. Connect AC12A to AC6 and AC7 using S4, V20 (4 sets).
3. Connect AC15 to AC14 using B1, V8 and V9 (4 sets).

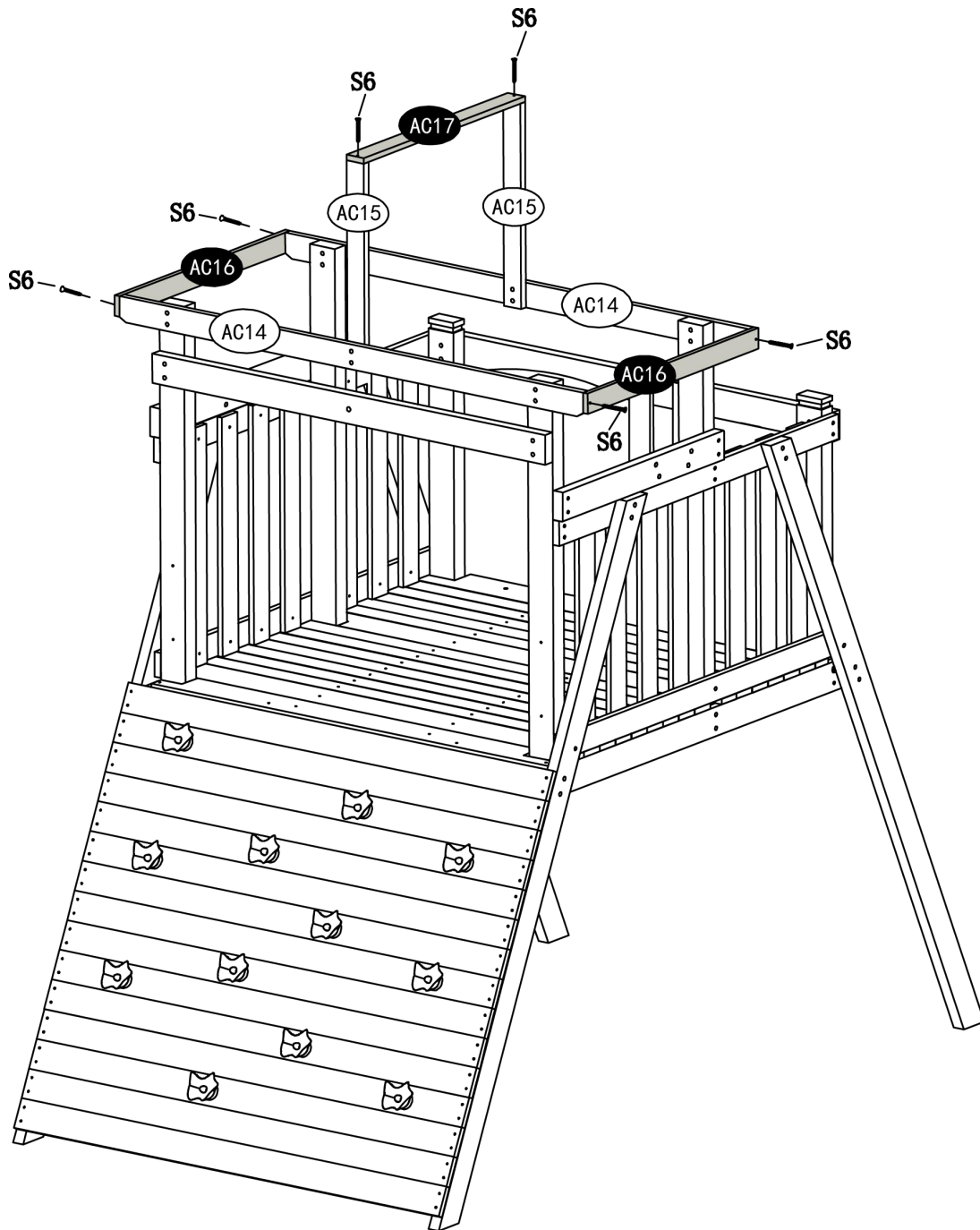
☺ Helpful Hint: Please note the $A < B$.



STEP 15

Part#	Qty	Hardware#	Qty
AC16	2 pcs	S6	6 pcs
AC17	1 pc		

1. Connect AC16 to AC14 using S6 (4 pcs).
2. Connect AC17 to AC15 using S6 (2 pcs).



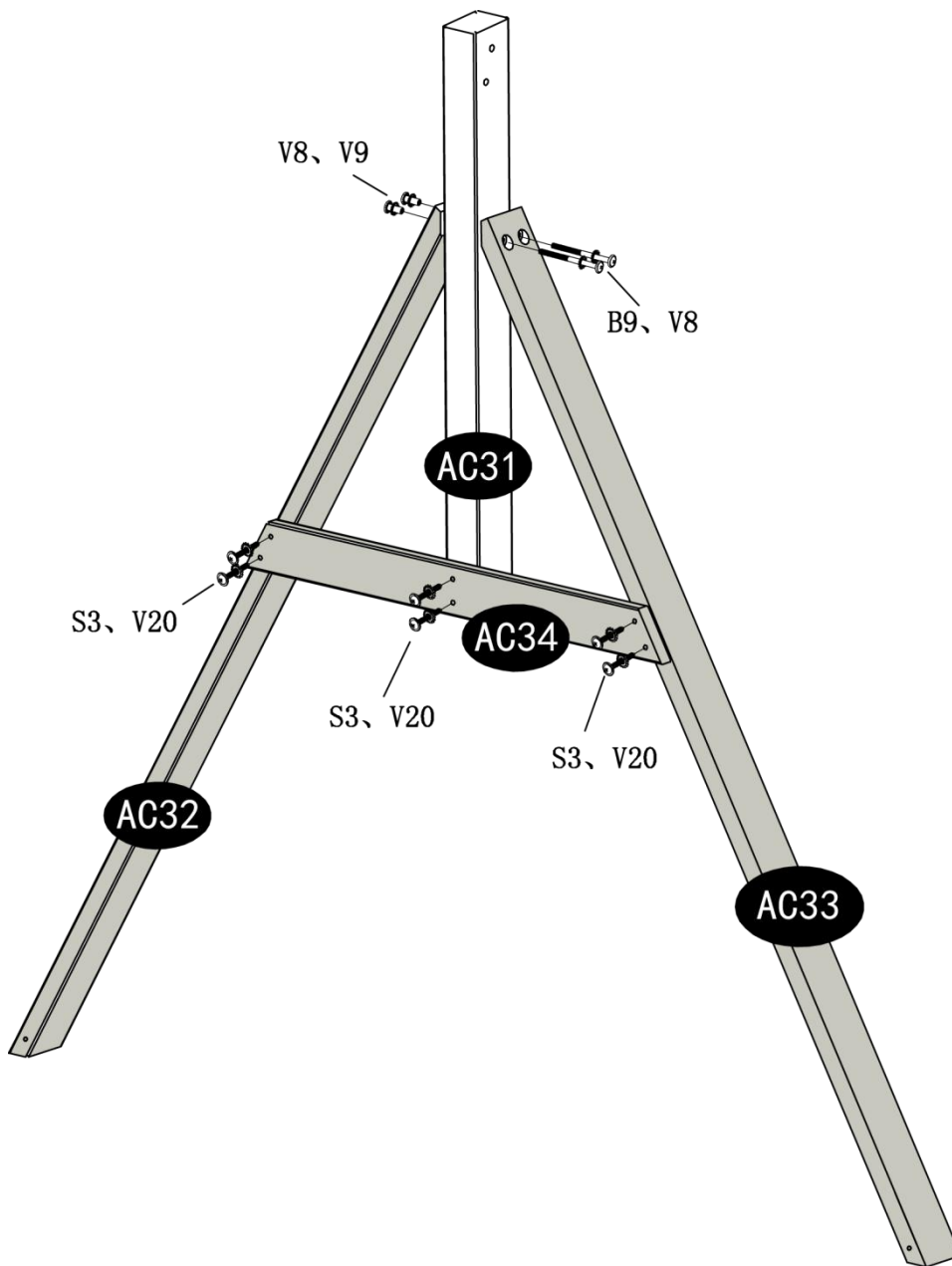
STEP 16

Part#	Qty	Hardware#	Qty
AC31	1 pc	B9,V8,V9	2 sets
AC32	1 pc	S3,V20	6 sets
AC33	1 pc		
AC34	1 pc		

Insert B9, V8 through AC33, AC31 and AC32 and fasten with V8, V9 (2sets) on the other end of screw.

1. Connect AC34 to AC32, AC31 and AC33 using S3 and V20 (6 sets).

☺ Helpful Hint: Do not fully tighten. Go back and re-tighten when fully assembled.



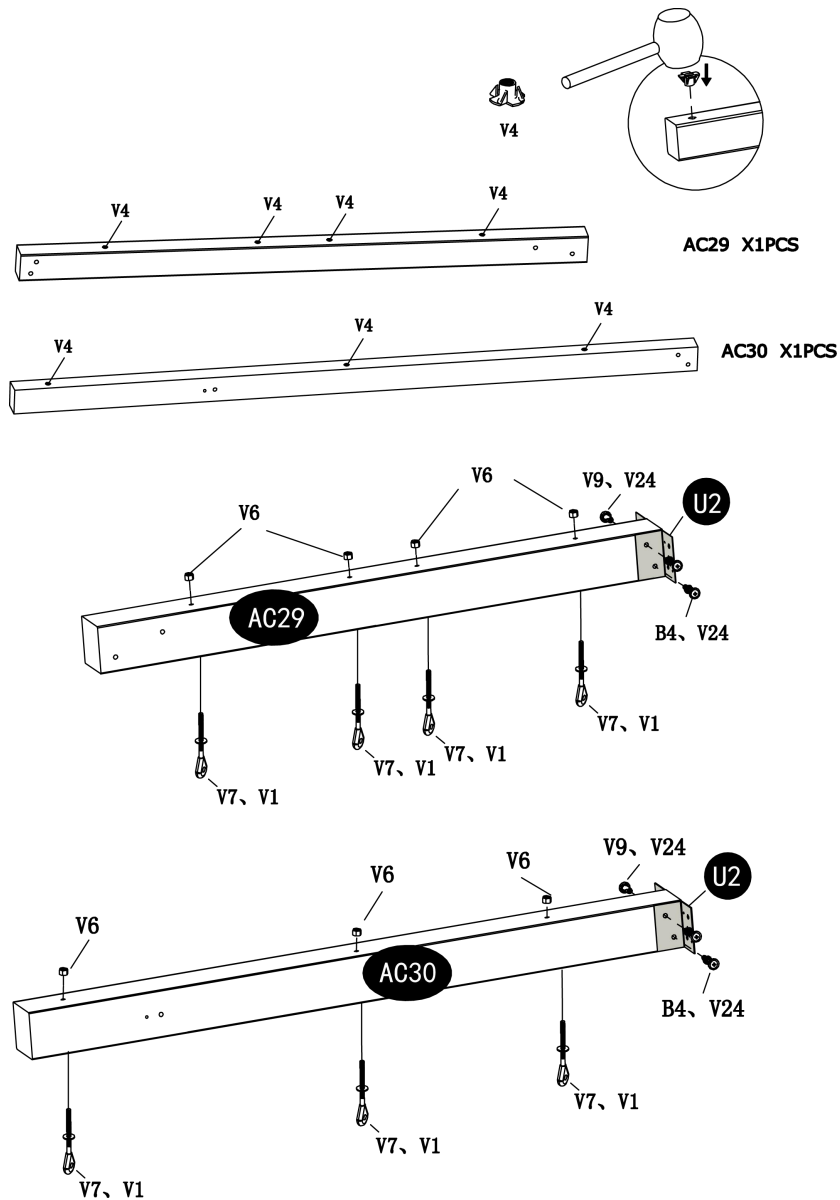
STEP 17

Part#	Qty	Hardware#	Qty
AC29	1 pc	V1	7 pcs
AC30	1 pc	V4	7 pcs
U2	4 pcs	V6	7 pcs
		V7	7 pcs
		B4,V24,V9	4 sets

Hammer the square head rivets (V4) into the pre-drilled holes as shown below.

1. Connect U2 to AC29 using B4, V24 and V24, V9 (2 sets).
2. Connect U2 to AC30 using B4, V24 and V24, V9 (2 sets).
3. Attach V7, V1 and V6 to AC29 and AC30 (7 sets).

☺ Helpful Hint: Confirm what side of the beam will be attached to the main structure of the play set.

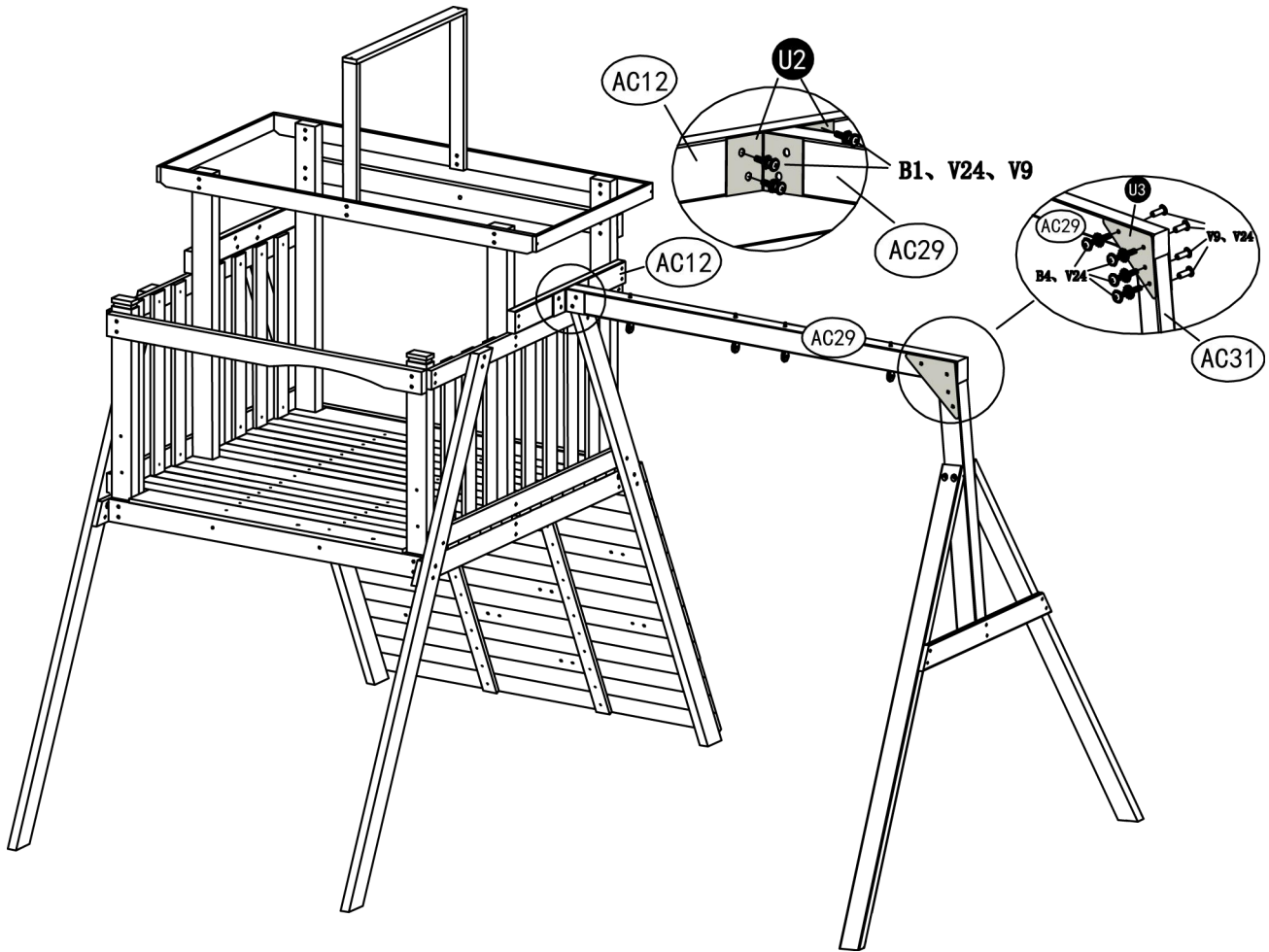


STEP 18

Part#	Qty	Hardware#	Qty
U3	2 pcs	B1,V24,V9	4 sets
		B4,V24,V9	4 sets

ATTACH TWO PERSON FLYING SAUCER IN THE FOLLOWING ORDER:

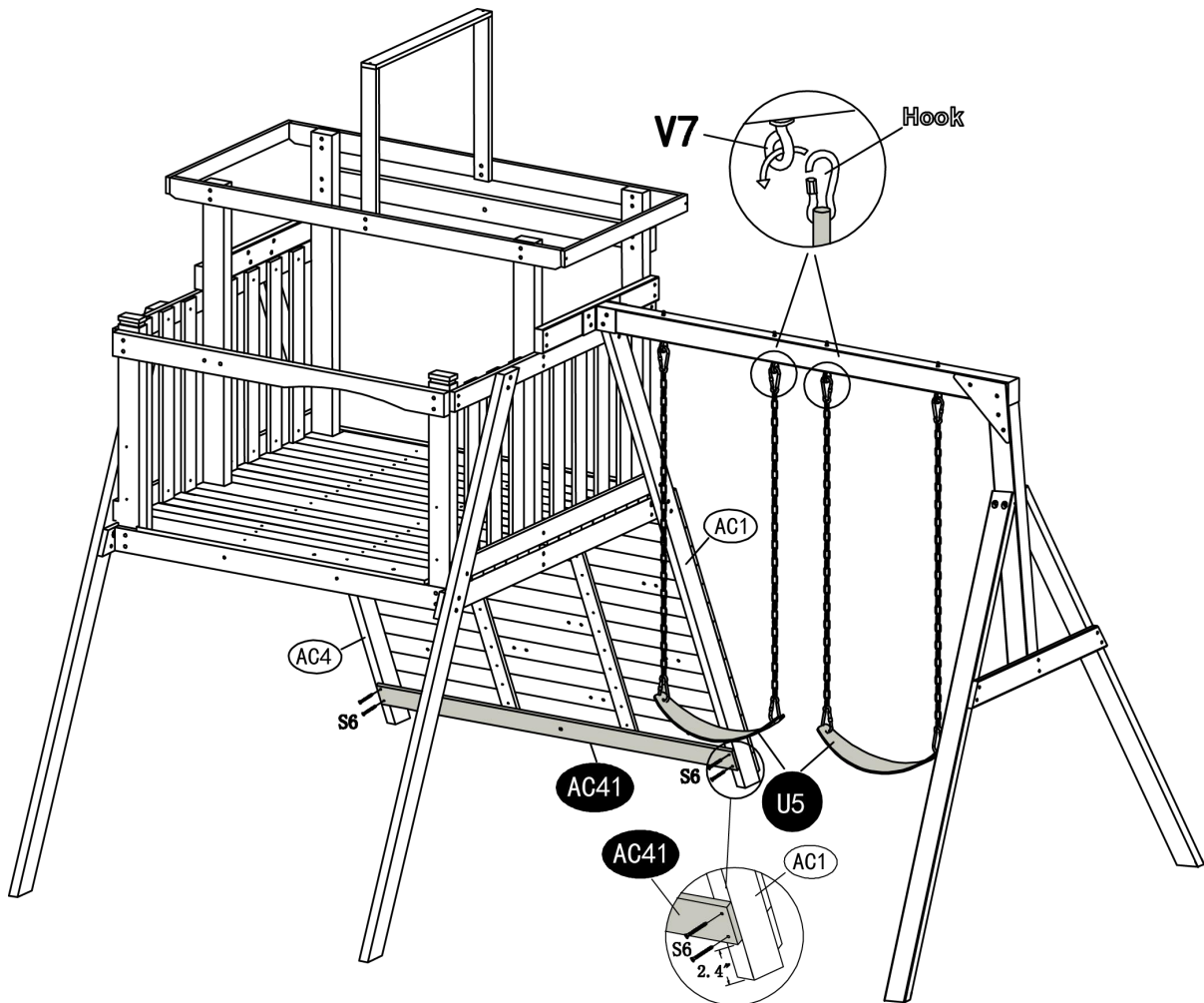
1. Attach U2 to AC12 on both sides using B1, V24 and V9 (4 sets).
2. Attach U3 to AC29 and AC31 on both sides using B4, V24 and V24, V9 (4 sets).



STEP 19

Part#	Qty	Hardware#	Qty
U5	2 pcs	S6	4 pcs
AC41	1 pc		

1. Attach the swing seat (U5) to the frame.
2. Connect AC41 to AC1 and AC4 using S6 (4 pcs).

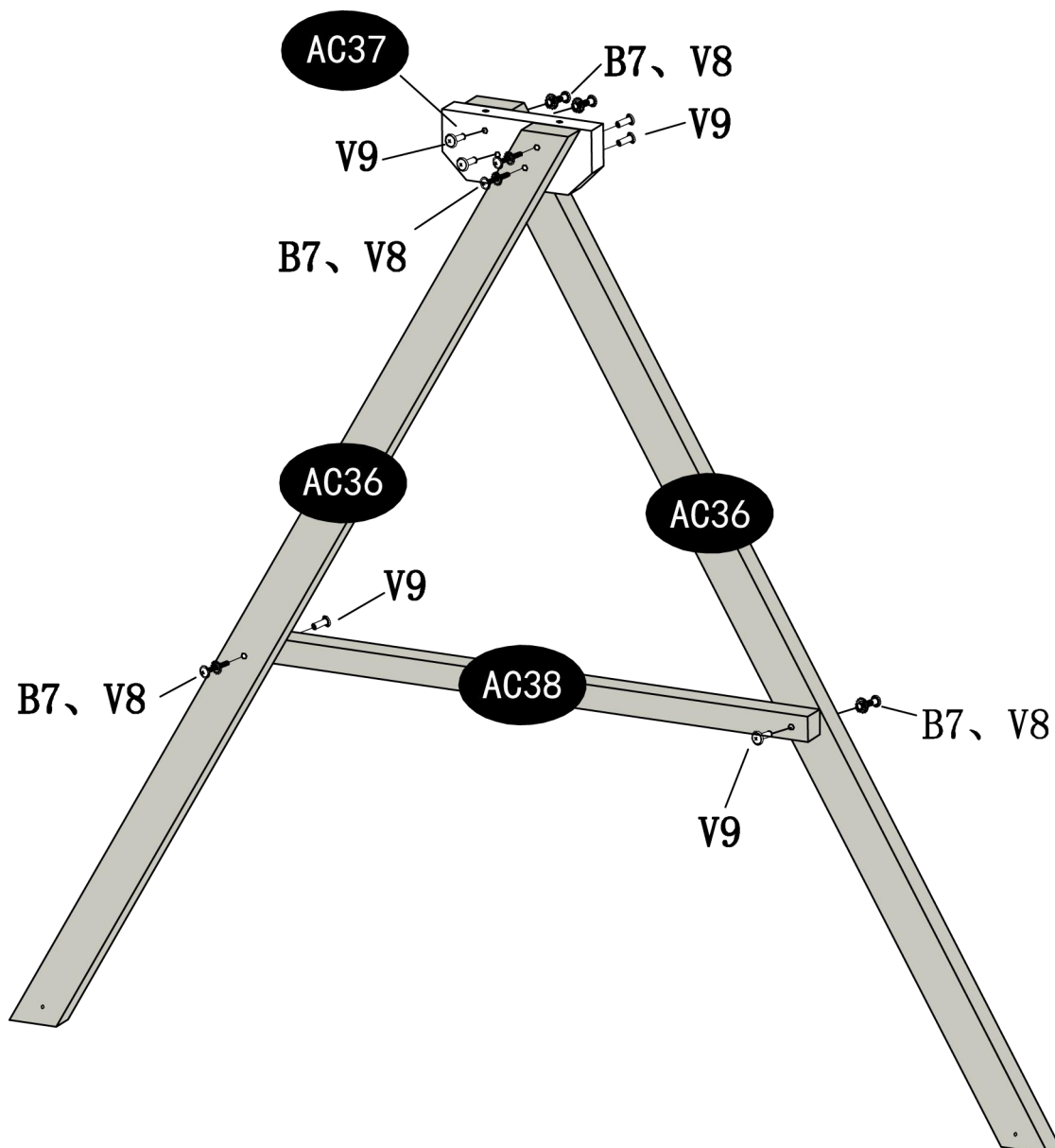


STEP 20

Part#	Qty	Hardware#	Qty
AC36	2 pcs	B7,V8,V9	6 sets
AC37	1 pc		
AC38	1 pc		

1. Connect AC37 to AC36 using B7, V8 and V9 (4 sets).
2. Connect AC38 to AC36 using B7, V8 and V9 (2 sets).

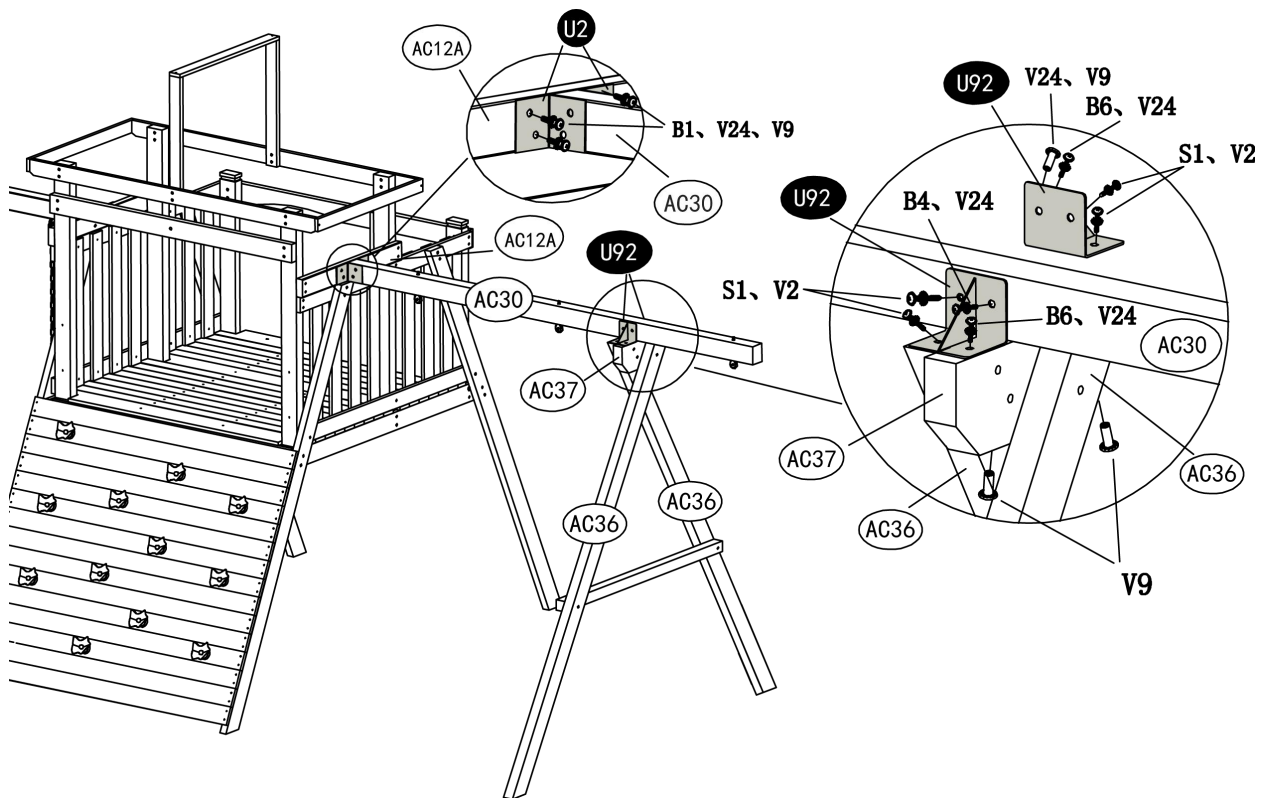
© Helpful Hint: Note the placement of AC37 and AC38.



STEP 21

Part#	Qty	Hardware#	Qty
AC30	1 pc	B1,V24,V9	4 sets
U92	2 pcs	B4,V24,V9	1 set
		B6,V24,V9	2 sets
		S1,V2	4 sets

1. Attach U2 to AC12A on both sides using B1, V24 and V9 (4 sets).
2. Attach U92 to AC30, using B4, V24 and V24, V9 (1 set), to AC30 and AC36, using S1 and V2 (4 sets), to AC37, using B6, V24 and V9 (2 sets) on both sides.

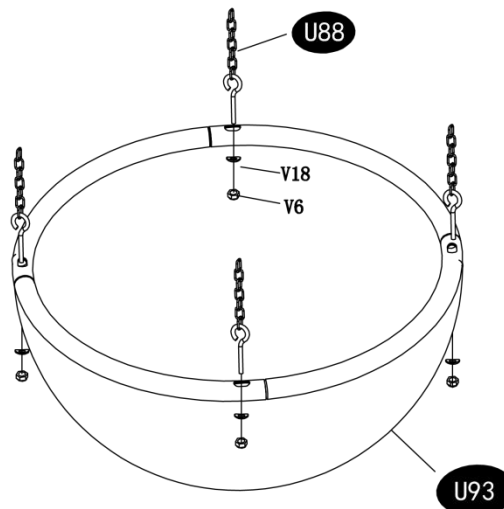
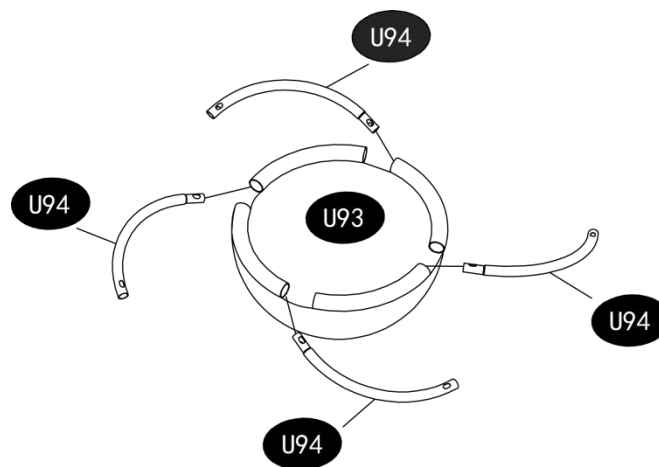


STEP 22

Part#	Qty	Hardware#	Qty
U93	1 pc	V6	4 pcs
U94	4 pcs	V18	4 pcs
U88	2 sets		

ATTACH TWO PERSON FLYING SAUCER IN THE FOLLOWING ORDER:

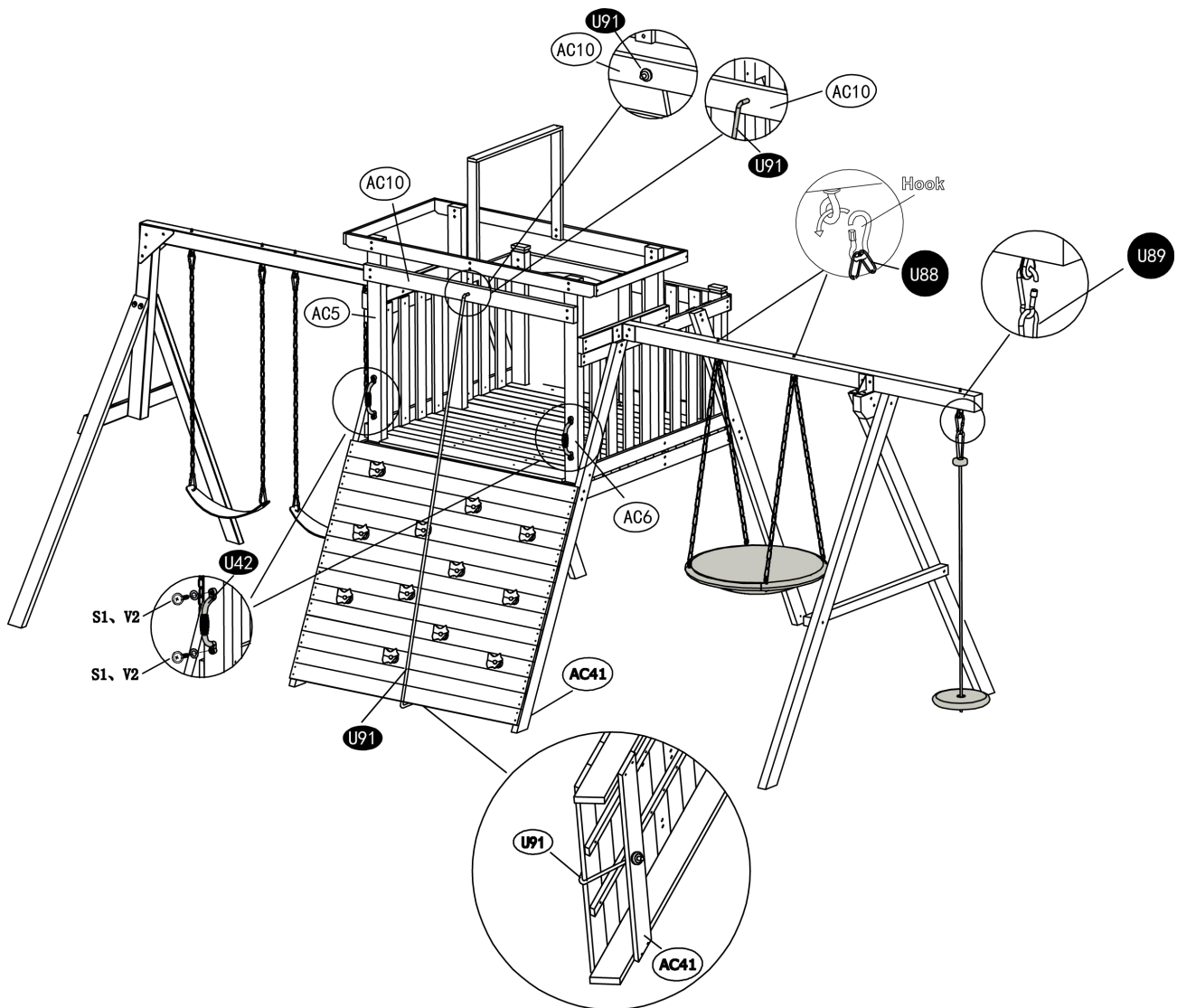
1. Slide the smaller ends of U94 tubes into the pockets of flying saucer (U93). Connect the four tubes together. Align the holes with the round holes face down.
2. Connect the chain U88 to the flying saucer (insert the end with shorter screw) and secure with V6 and V18 (4 sets).



STEP 23

Part#	Qty	Hardware#	Qty
U42	2 pcs	S1	4 pcs
U89	1 pc	V2	4 pcs
U91	1 pc		

1. Attach the flying saucer to the frame.
2. Attach the U89 to the frame.
3. Attach the U91 rope to AC10 and AC41. Tie a knot at one end of the rope before pulling through AC10 and AC41.
4. Attach U42 to AC5 and AC6 using S1 and V2 (4 sets).



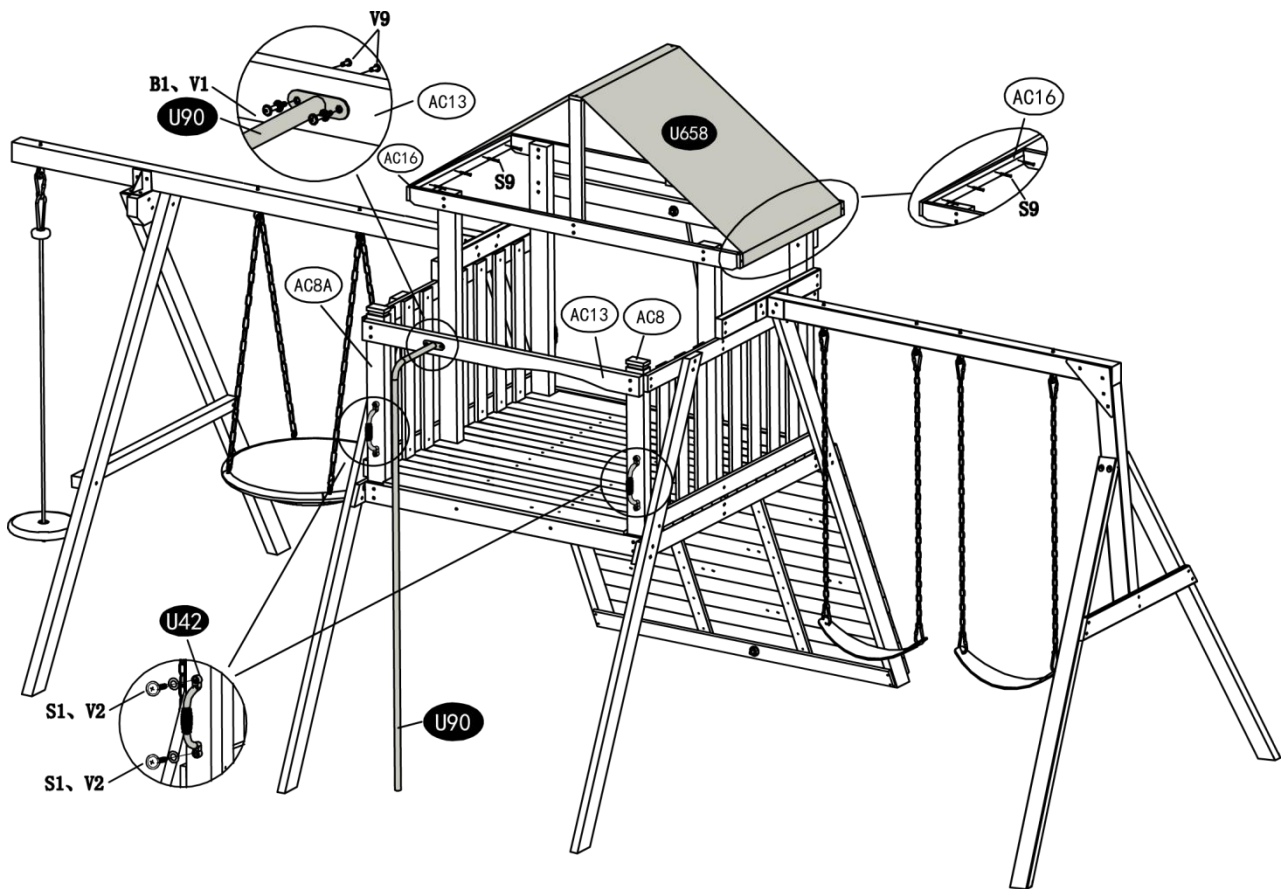
STEP 24

Part#	Qty	Hardware#	Qty
U90	1 pc	B1,V1,V9	2 sets
U658	1 pc	S9	8 pcs
U42	2 pcs	S1,V2	4 sets

ATTACH FIREMAN POLE AND CANOPY THE FOLLOWING ORDER:

1. Attach U90 to AC13 using B1, V1 and V9 (2 sets).
2. Attach U42 to AC8 and AC8A using S1 and V2 (4 sets).
3. Connect U658 on the top, using S9 (8 pcs).

© Helpful Hint: Fireman Pole will need to be secured in the ground first, to properly align with the structure of the play set. The pole has an angle to assist with inserting it into the ground.



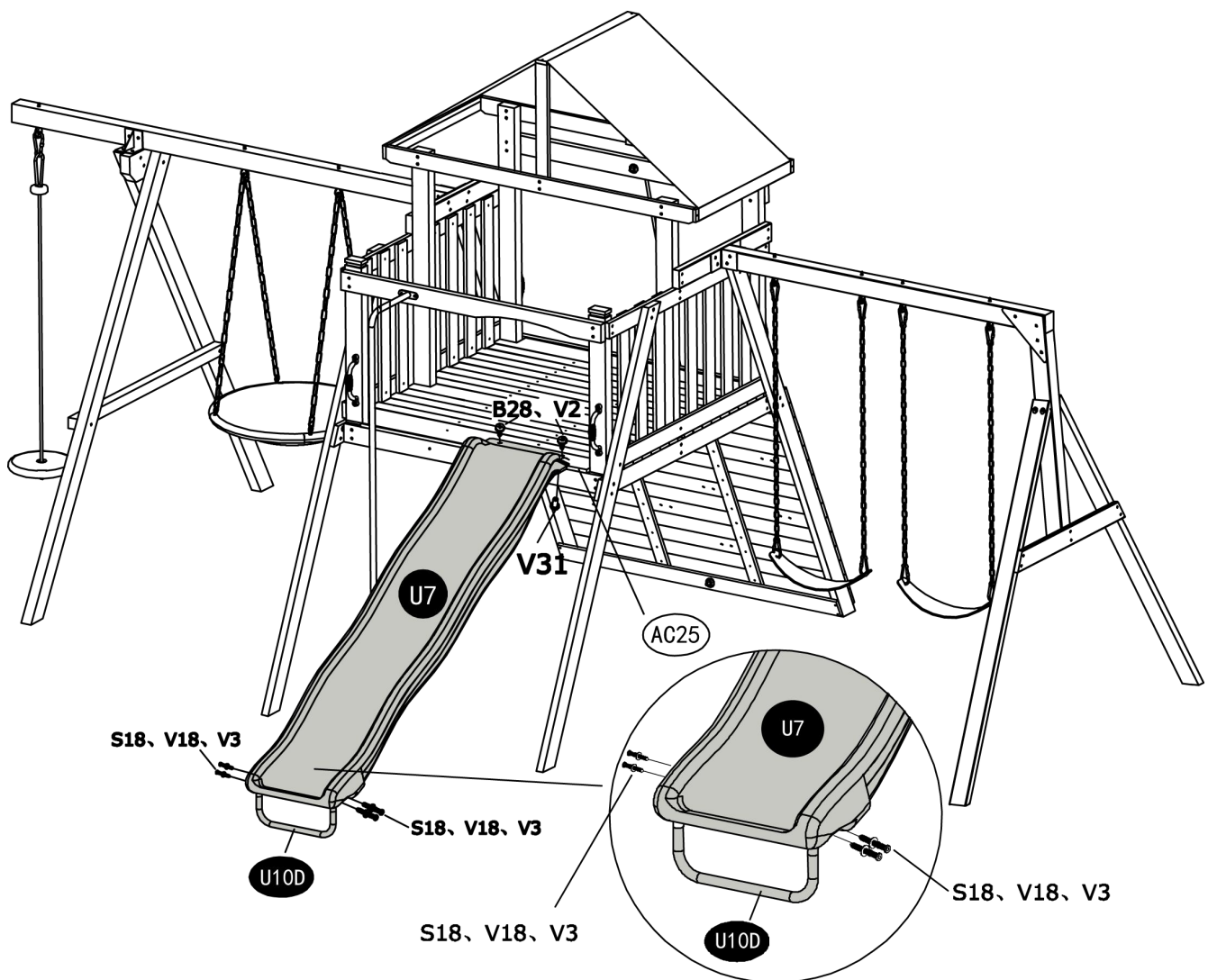
STEP 25

Part#	Qty	Hardware#	Qty
U10D	1 pc	S18,V18,V3	4 sets
U7	1 pc	B28,V2,V31	2 sets

ATTACH SLIDE TO THE SWINGSET IN THE FOLLOWING ORDER:

1. Attach U10D to U7 using S18, V18 and V3 (4 sets).
2. Connect U7 to AC25 using B28, V2 and V31 (2 sets).

☺ Helpful Hint: Bottom of slide will need to be raised up in order to align the floorboards and the top of slide before securing.

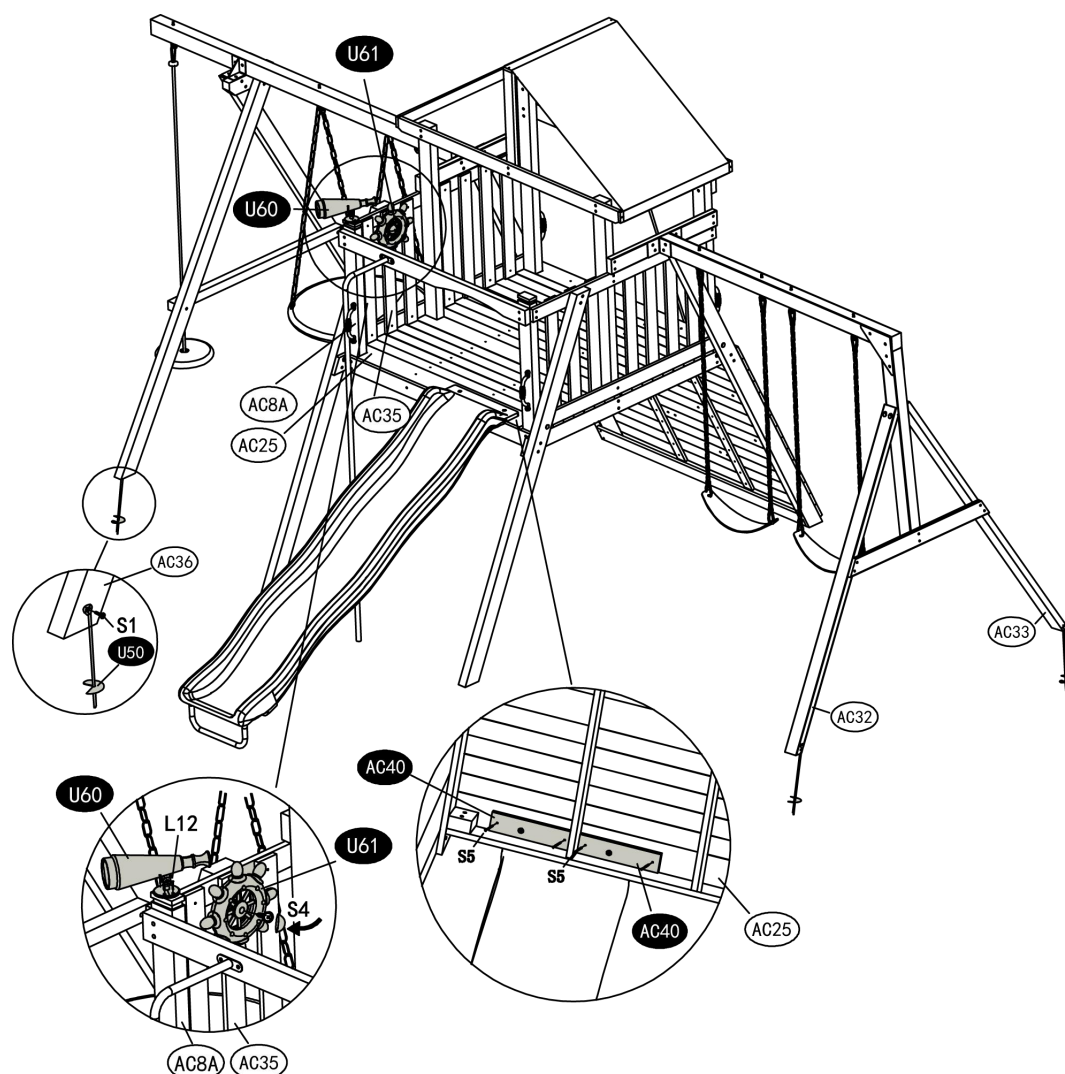


STEP 26

Part#	Qty	Hardware#	Qty
U50	4 pcs	S1	4 pcs
U60	1 pc	L12	4 pcs
U61	1 pc	S4	1 pc
AC40	2 pc	S5	4 pcs

Use U50 as the anchoring stakes for this set.

1. Hammer U50 into the ground and secure it, using S1 (4 pcs).
2. Connect U60 to AC8A using L12 (4 pcs), Connect U61 to AC35 using S4 (1 set).
3. Connect A40 to AC25 using S5 (4 pcs).



IMPORTANT:

BEFORE ALLOWING CHILDREN TO PLAY ON THE EQUIPMENT, THE ANCHORS PROVIDED MUST BE INSTALLED. ALSO, PLEASE GO OVER THE ENTIRE UNIT AND MAKE SURE ALL SCREWS ARE TIGHTENED ALL THE WAY AND INSPECT THE ENTIRE UNIT TO ENSURE THE EQUIPMENT IS STABLE AND PROPERLY INSTALLED BEFORE ALLOWING CHILDREN TO PLAY.

Helpful Tips

Regularly check play set for wasp's nests before allowing children to use.

It is best practice to coat your play set with a water sealant to extend the longevity of the product.

PRODUCT WARRANTY

This product has been manufactured under the highest standards of quality and workmanship. We warrant to the original consumer purchaser that all aspects of this product will be free of defects in material and workmanship for one year from the date of purchase. A replacement for any defective part will be supplied free of charge for installation by the consumer. Defects or damage caused by the use of other than genuine parts are not covered by this warranty. This warranty shall be effective from the date of purchase as shown in the purchaser receipt.

This warranty is valid for the original consumer purchaser only and excludes industrial, commercial or business use of the product, product damage due to shipment or failure which results from alteration, product abuse, or product misuse, whether performed by a contractor, service company, or consumer. We will not be responsible for labor charges and/or damage incurred in installation, repair or replacement nor for incidental or consequential damage.

SP-26-WP-658-AC-19002