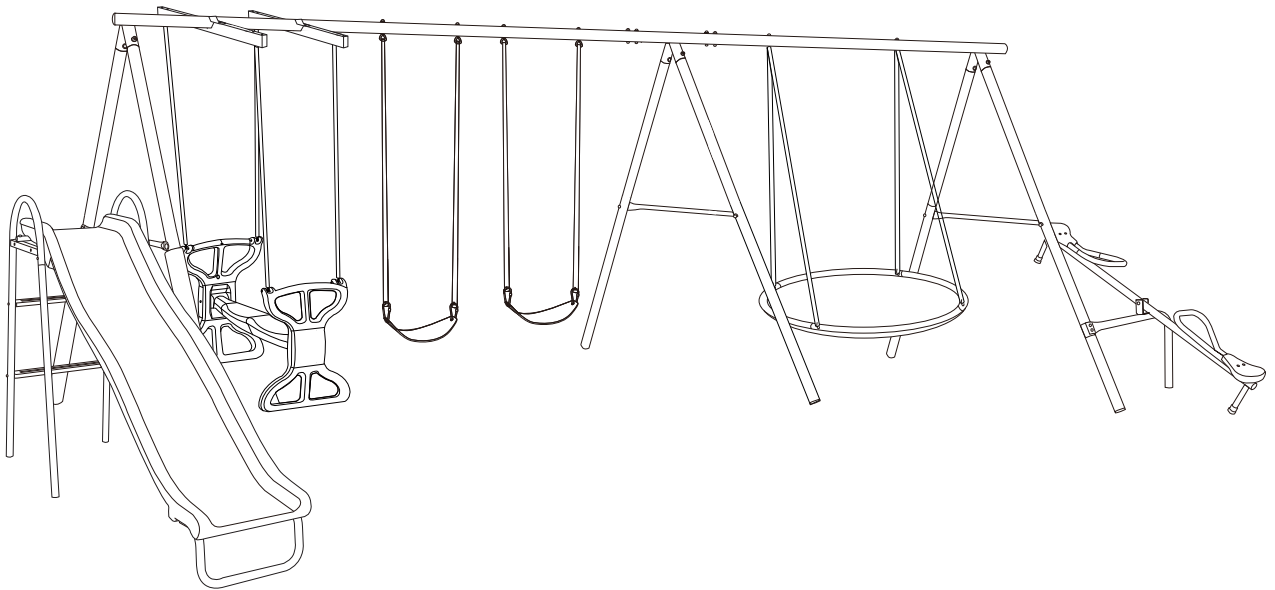


AGame™

Assembly Instructions & User's Manual

Discovery 9 Metal Playset

Style #: 160393 Model #: MSC-4552



Please keep this instruction manual for future reference

For replacement parts please call 1-866-370-2131 Monday – Friday 9:00 AM – 5:00 PM Eastern Time
Customer Service: (888) 922-2336 7:00 am to 12:00 am CST (daily)
Live Chat at: www.academy.com
Email: customerservice@academy.com



Dear Valued Customer,

Congratulations on your Academy play set purchase! Please read and completely understand the contents of this owner's manual. This manual contains specific instructions and warnings that must be followed to prevent injuries.

This play set is for residential use only. This play set is NOT intended for public or commercial use. The warranty will be voided if the play set is used in a commercial application.

The product is designed for children between the ages of 3-8. Children must NOT play on this set until it is properly assembled and inspected by an adult. Adult supervision is required at all times while children are playing on the equipment. Do not allow children under six (6) years old to be near during the assembly of this product due to choking hazards of small parts.

The equipment must be installed on level ground. Uneven ground must be leveled prior to installation. Installation on sloping or uneven ground will put stress on the joints, causing the unit to become loose and unstable which may result in serious injuries. You must ensure there are no obstructions or structures (e.g. electrical wires, branches, house, fence, garage, etc) within six (6) feet from the equipment.

The Consumer Product Safety Commission's Outdoor Home Playground Safety Handbook recommend to install and maintain the playground equipment over at least 9 inches of wood chips, mulch or shredded rubber (for equipment up to 8 feet high) or sand or pea gravel (for equipment no more than 5 feet high) as shock absorbing material. Dirt and grass, which are the most prevalent surfaces under home playground equipment, do not adequately protect children from serious head injuries. Install protective surfacing at least six feet in all directions from play equipment. For swings, the surface should extend, in back and front, twice the height of the suspending bar. Do not install your play set over hard surface, e.g. asphalt, concrete, packed earth, tile or brick floor. Please refer to extracts from the CONSUMER PRODUCT SAFETY COMMISSION'S OUTDOOR HOME PLAYGROUND SAFETY HANDBOOK contained in this manual for further details.

Do not allow children to use the product during windy or wet weather conditions. It is highly recommended the product be anchored into the ground to prevent movement and to make the swing set more stable during use. You should consult a local contractor about ways to anchor the product in your location.

The equipment must be checked before each use and maintained regularly. This includes, but is not limited to inspecting the play set for cracks, excess wear, missing parts, loose connections and for overall integrity. When the equipment shows any signs of weakness or damage, you must stop using the play set immediately, properly store the set or restrict access by users until the condition is resolved.

Table of Contents

Important Warnings and Instructions	4-6
Important Consumer Information Sheet	7
Anchoring	8-9
Care and Maintenance Checklist	10-11
Complete Product View	12
Tools	13
Parts and Hardware List	14-18
Assembly and Installation Instructions	19-38
Warranty Information	39

Note: Before beginning assembly of product, make sure all parts are present. Compare parts with package content list and hardware contents. If any part is missing or damaged do not attempt to assemble the unit. Contact customer service for replacement parts.

Important Warnings and Instructions

WARNING

READ ALL INSTRUCTIONS BEFORE ASSEMBLING OR USING THIS EQUIPMENT

AGE LIMIT

- This product is designed to be used by up to nine (9) children between the ages of 3 to 8. Maximum user weight is 100 pounds (45.4kg) each with a combined maximum weight of 900 pounds (409kg).
- The play set is designed for children over three (3) years of age. Use by smaller children can result in entrapment.
- On-site adult supervision is required at all times for children of all ages.
- Do not allow use by children with any physical condition that may affect his/her ability to use this equipment safely.

BEFORE YOU BEGIN

- Carefully read all instructions in this manual before assembling and using this product.
- The unit must be assembled by adults. Heavy duty working gloves must be worn to avoid injuries during assembly.
- Children must not use the equipment until it is properly assembled and anchored.
- Adult supervision is required during the use of this equipment at all times.
- Unpack all parts. Take a complete inventory of all parts and hardware using the parts and hardware lists in the following pages. If any parts are missing, do not return to the store. Please call customer service toll-free number listed on the cover page for assistance. Store the product back in the original box and do not begin to install until all parts are obtained.
- Never add extra length to chain or rope. The chains or ropes provided are the maximum length designed for the swinging element(s).

LOCATION OF PLAY SET

- The equipment must be placed more than six (6) feet (1.8 meter) from any structures or obstructions, including but not limited to buildings, fence, garage, trees, laundry lines, electrical wires. Children can be seriously injured running or swinging into obstacles.
- The play set must be installed on level ground. Uneven ground must be leveled prior to installation. Installation on sloping or uneven ground will put stress on the joints, causing the unit to become loose and unstable which may result in serious injuries.
- Remove any tripping hazards from the safe play area, such as roots, tree stumps, rocks, landscaping, sprinkler heads, railroad ties, plumbing and electrical connections.

Important Warnings and Instructions

Do not install your play set over hard surface, e.g. asphalt, concrete, packed earth, tile or brick floor. A fall onto a hard surface can result in serious injury or death to the user. The following is a list of recommended ground covers from the Consumer Product Safety Commission:

<u>SUGGESTED MATERIAL</u>	<u>UNCOMPRESSED DEPTH</u>
Double Shredded Bark Mulch	9"
Uniform Wood Chips	12"
Fine Gravel	12"
Fine Sand	12"

The Consumer Product Safety Commission's Outdoor Home Playground Safety Handbook recommend to install and maintain the playground equipment over at least 9 inches of wood chips, mulch or shredded rubber (for equipment up to 8 feet high) or sand or pea gravel (for equipment no more than 5 feet high) as shock absorbing material. Dirt and grass, which are the most prevalent surfaces under home playground equipment, do not adequately protect children from serious head injuries. Install protective surfacing at least six feet in all directions from play equipment. For swings, the surface should extend, in back and front, twice the height of the suspending bar. You should consult a local contractor about ways to secure the product in your location. Do not install your play set over hard surface, e.g. asphalt, concrete, packed earth, tile or brick floor. Please refer to the CONSUMER PRODUCT SAFETY COMMISSION'S OUTDOOR HOME PLAYGROUND SAFETY HANDBOOK for detailed guidelines to prevent injuries from falls and other hazards on public and home playgrounds.

WARNINGS ON ANCHORING

It is highly recommended the product be anchored into the ground to prevent movement and to make the swing set more stable during use.

Some consumers want an anchoring system that allows the product to be moved to different locations. Other consumers want to keep their swing set in a permanent location.

There are different types and different methods of anchoring this product. Sportspower does not make a specific anchoring recommendation as each consumers need and conditions can vary.

It is highly recommended that you seek the opinion from a local licensed contractor on the best way to secure the swing set in your location. The best way to anchor a product is to create a concrete footing and use that as a base for an anchor. Whatever method you prefer for your location, an anchoring system for this product should be used at all times.

WEATHER CONDITIONS

- DO NOT use this equipment if the swing seat, slide or any parts are wet. Use the play set only when the parts are clean and dry. If the equipment is wet, the user could slip and suffer injuries.
- Please be aware of weather conditions when using the equipment. If it is too windy, users could lose control and suffer injuries. The playground equipment must be properly anchored, stored away or restricted from use during inclement weather such as heavy winds or severe weather storms. You should consult a local contractor about ways to anchor the product in your location.

PLAY SUPERVISION

- DO NOT allow more than one child to play on the individual swing or slide component at any one time. The maximum user limit for the flying saucer and glide ride is two persons.
- DO NOT allow children to stand on the slide, swing seats, flying saucer or glide ride.
- DO NOT allow children to walk too close to moving parts. ALWAYS keep a safe distance to avoid being struck by other children while playing on swings, slides, trampolines etc.

Important Warnings and Instructions

Observing the following statements and warnings reduces the likelihood of serious or fatal injury.

- DO NOT allow children to twist the swing chains or ropes, or loop them over the top support bar as this may reduce the strength of the chain or rope.
- DO NOT swing empty seats as this may cause injuries.
- ALWAYS guide children to sit in the center of swinging parts, with their full weight placed in the seat center and holding on to the swing chains.
- DO NOT allow children to jump off the equipment while it is in motion. ALWAYS come to a full stop before dismounting.
- ALWAYS dress children appropriately for proper play, e.g. wear well-fitted rubber sole shoes, and remove loose or sharp items such as jewelry, hair accessories, scarves which may become entangled in the equipment or cause injuries.
- ALWAYS make sure children remove their bike or other sports helmets before playing on the playground.
- DO NOT allow children to slide down the slide head first.
- DO NOT allow children to climb onto swing or jump to/from different play areas of the equipment.
- ALWAYS return safely to the ground before approaching another play area.
- DO NOT allow children to climb on structural parts (e.g. legs, top bar). These are structural components and are not designed for play.
- ALWAYS check the slide or other parts exposed to the body for extreme heat from the sun before allowing children to use the equipment.
- DO NOT allow children to use the equipment in a manner other than intended.
- ALWAYS prevent access and secure from any unauthorized use when there is no adult supervision.
- DO NOT allow pets or other animals near the equipment to prevent damage or injuries.
- On-site adult supervision for children of all ages is recommended

INSPECTION PRIOR TO EACH USE OR DAILY INSPECTION

- DO NOT use the equipment if any bolts or nuts are missing or loose. ALWAYS check to ensure the equipment and all parts are well secured and stable before each use.
- ALWAYS clear the play area of any rocks, sharp objects, or any materials that could be potentially hazardous to users.
- DO NOT attach items to the equipment that are not specifically designed for use with the equipment, including, but not limited to, jump ropes, clothesline, pet leashes, cables and chains as they may cause choke hazards.
- The steel and plastic parts used in your product are subject to normal wear. Gradual deterioration of the material will occur, the speed of which will depend on the level of exposure to UV rays, airborne pollution, outdoor weather conditions such as rain and wind and the amount of use. You must inspect the equipment prior to every use. This includes, but is not limited to inspecting the set for cracks, excess wear, missing parts, loose connections, and for overall integrity. When the set shows any signs of weakness, you must stop using the play set immediately, properly store the set or restrict access by users until the condition is resolved.
- Verify that the suspended climbing ropes, chain or cable are secured at both ends and tightened, so that there is no loose ropes, chain or cable hanging that can result in choking hazard.

When conducting inspections, it is recommended that you use the Suggested General Maintenance Checklist and Routine Inspection and Maintenance Issues checklists provided by the US Consumer Product Safety Commission, a copy of which is contained in this user manual.

Important Consumer Information Sheet

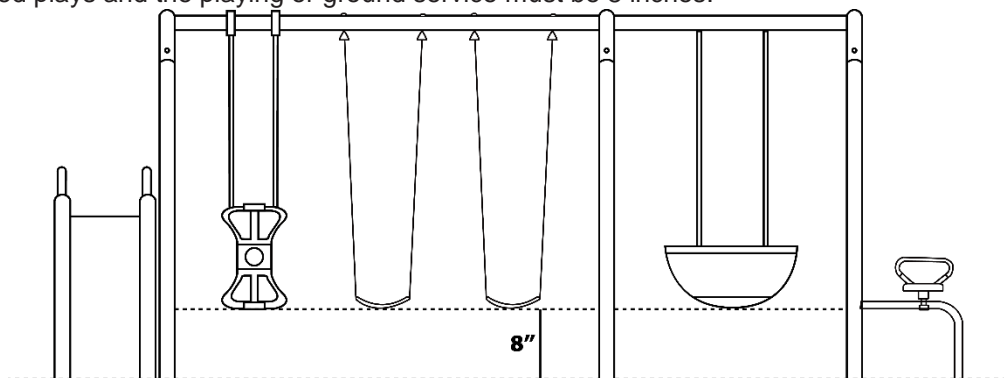
The Consumer Product Safety Commission estimates there are more than 200,000 playground related injuries involving children each year. Injuries involving this hazard pattern tend to be among the most serious of all playground injuries and have the potential to be fatal, particularly when the injury is to the head. The surface under and around playground equipment can be a major factor in determining the injury-causing potential of a fall. It is self evident that a fall onto a shock absorbing surface is less likely to cause a serious injury than a fall onto a hard surface. Playground equipment should never be placed on hard surfaces such as concrete or asphalt and while grass may appear to be acceptable it may quickly turn to hard packed earth in areas of high traffic. Shredded bark, mulch, wood chips, fine sand or fine gravel are considered to be acceptable shock absorbing surface when installed and maintained at a sufficient depth under and around playground equipment. Table below lists the maximum height from which a child would not be expected to sustain a life-threatening head injury in a fall onto four different loose-fill surfacing materials if they are installed and maintained at depths of 6" (15.3 CM), 9" (22.9 CM), and 12" (30.5CM).

FALL HEIGHT IN FEET FROM WHICH A LIFE THREATENING HEAD INJURY WOULD NOT BE EXPECTED			
TYPE OF MATERIAL	6" (15.3 CM) DEPTH	9" (22.9 CM) DEPTH	12" (30.5 CM) DEPTH
Double Shredded Bark Mulch	6" (15.3 CM)	10" (25.4 CM)	11" (27.9 CM)
Wood Chips	6" (15.3 CM)	7" (17.8 CM)	12" (30.5 CM)
Fine Sand	5" (12.7 CM)	5" (12.7 CM)	9" (22.9 CM)
Fine Gravel	6" (15.3 CM)	7" (17.8 CM)	10" (25.4 CM)

However, it should be recognized that all injuries due to falls cannot be prevented no matter what surfacing material is used. We recommend that a shock absorbing material should extend a minimum of 6ft in all directions from the perimeter of stationary equipment such as climbers and slides. However, because children may deliberately jump from a moving swing, the shock absorbing material should extend in the front and rear of a swing a minimum distance of 2 times the height of the pivot point measured from a point directly beneath the pivot on the supporting structure.

This information is intended to assist in comparing the relative shock-absorbing properties of various materials. No particular material is recommended over another. However, each material is only effective when Properly maintained. Materials should be checked periodically and replenished to maintain correct depth as determined necessary for your equipment. The choice of a material depends on the type and height of the playground equipment, the availability of the material in your area and its cost.

Note: The maximum fall height for this product is 6 feet. The minimum ground clearance between the bottom of the suspended plays and the playing or ground service must be 8 inches.



This information has been extracted from the CPSC publication on "Playground Safety". You can obtain more information by sending a postcard to the: Office of public Affairs U.S. Consumer Product Safety Commission Washington D.C. 20207

Anchoring

(NOTE: ANCHORS ARE NOT INCLUDED-MUST BE PURCHASED SEPARATELY)

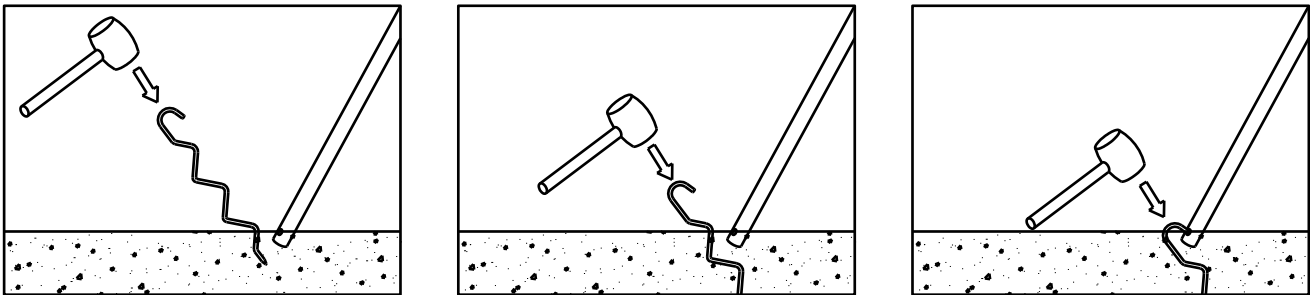
There are different ways of anchoring the equipment, depending on the type of ground on which the equipment is to be installed. Make sure that all anchors are below ground level to prevent tripping.

You should consult your local contractor to decide the most appropriate way to anchor the equipment in your location.

The following anchoring options may be considered:

Corkscrew Anchoring (Corkscrew Anchors not included)

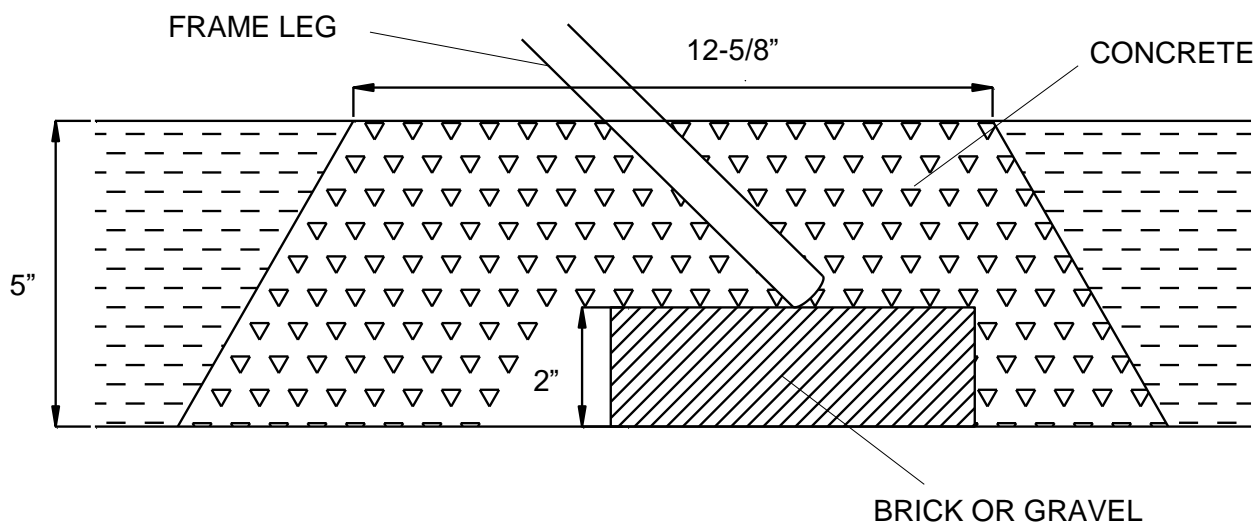
- If your soil is hard (clay, etc.), the corkscrew method may be suitable.
- Be sure that the swing set is located on level ground.
- Twist the corkscrew anchor into the ground until only the end with the hook is above the ground and next to the leg. Insert the hook into the bottom opening of the leg. Ensure that the hook is secured onto the leg opening.



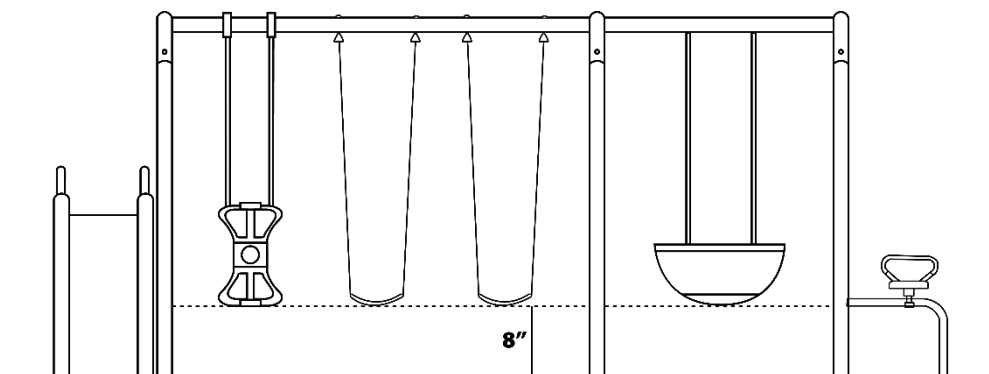
Concrete Anchoring (Materials not included)

- If the swing set is set up on grounds with sandy soil (soft) condition, it must be anchored with concrete footing (concrete not included)
- Be sure that the swing set is assembled and placed on level ground
- Dig holes around swing leg tube, as shown in drawing in the next page. As you dig deeper, enlarge the diameter of the hole to fix the cement
- Place 2 inches of brick or gravel underneath the leg, as shown in drawing in the next page
- Use about 45 lbs. of concrete per leg
- Cover the concrete with dirt and protective surface material
- Allow 6-7 days for the concrete to dry properly

Anchoring



Note: The maximum fall height for this product is 6 feet. The minimum ground clearance between the bottom of the suspended plays and the playing or ground surface must be 8 inches.



You must maintain a minimum of 8 inches of ground clearance.



WARNING

Please properly anchor the swing set to minimize the risk of injury or death. If the swing set is used without proper anchoring, it may be dangerous and may tilt over.

Care and Maintenance Checklist

AT THE BEGINNING OF EACH PLAY SEASON:

- Tighten all hardware.
- Lubricate all metallic moving parts per manufacturer's instructions.
- Check all protective coverings on bolts, pipes, edges, and corners. Replace if they are loose, cracked, or missing.
- Check all moving parts including swing seats, ropes, cables and chains for wear, rust or other deterioration. Replace as needed.
- Check metal parts for rust. If found, sand and repaint using a non-lead paint meeting the requirements of 16 CFR 1303.
- Reinstall any plastic parts, such as swing seats or any other items that were removed for the cold season.
- Rake and check depth of loose fill protective surfacing materials to prevent compaction and to maintain appropriate depth. Replace as needed.

TWICE A MONTH DURING PLAY SEASON:

- Tighten all hardware.
- Check all protective coverings on bolts, pipes, edges and corners. Replace if they are loose, cracked or missing.
- Rake and check depth of loose fill protective surfacing materials to prevent compaction and to maintain appropriate depth. Replace as needed.

ONCE A MONTH DURING PLAY SEASON:

- Lubricate all metallic moving parts per manufacturer's instructions.
- Check all moving parts including swing seats, ropes, cables and chains for wear, rust or other deterioration. Replace as needed.
- Rake and check depth of loose fill protective surfacing materials to prevent compaction and to maintain appropriate depth. Replace as needed.

AT THE END OF EACH PLAY SEASON:

- At the end of each play season or when the temperature drops below 32 degrees F (0 degrees C).
- Remove plastic swing seats and other items as specified by the manufacturer and take indoors or do not use.
- Rake and check depth of loose fill protective surfacing materials to prevent compaction and to maintain appropriate depth. Replace as needed.

As a general rule, maintenance should be performed at any time it is deemed necessary.

DISPOSAL INSTRUCTIONS

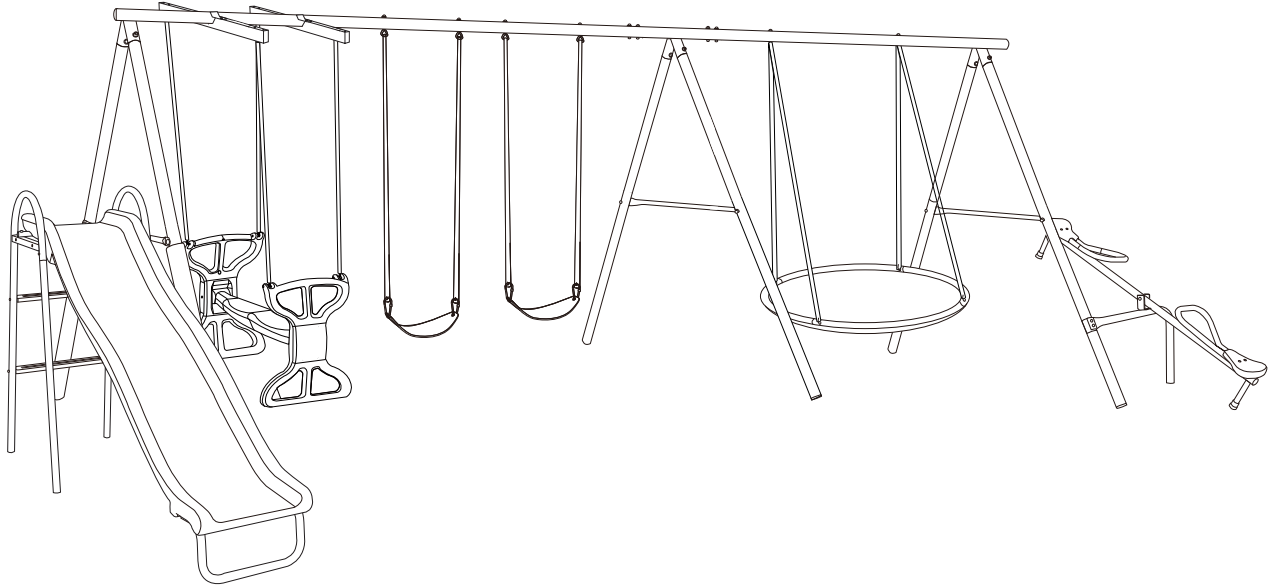
- Please use care when disassembling the equipment, when it is no longer in operational condition. Wear heavy duty working gloves to avoid injuries.
- Fully disassemble the entire swing and slide sets before disposal. Do not leave partially disassembled parts in areas accessible by children.
- Should you wish to recycle the steel tubing, please take the frame to your local recycling center.
- All plastic parts can be recycled, take it to your local recycling center. Do not let children play with any disassembled parts meant for disposal, such as chains, slide, tubing, bolts, nuts, screws, etc.
- All rusted parts, bolts must be properly disposed of in trash bin. Do not reuse.

Care and Maintenance Checklist

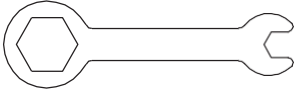
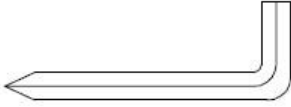
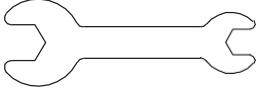

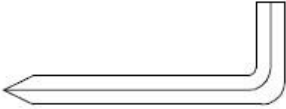
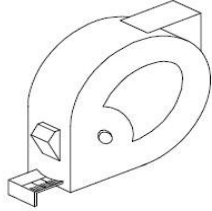
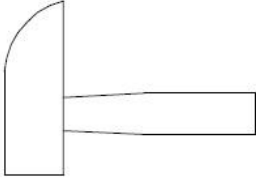
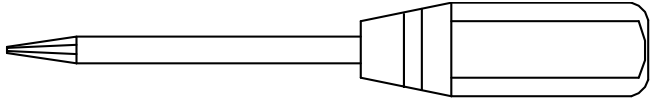
CARE & MAINTENANCE INSTRUCTIONS

- Inspect all nuts and bolts twice monthly during the usage season for tightness and tighten as required. It is particularly important that this procedure is followed at the beginning of each season.
- Oil all metallic moving parts monthly during the usage period.
- Sand rusted areas on metal tubing and repaint using a nonlead-based paint meeting the requirements of Title 16 CFR Part 1303.
- Check swing seats, ropes, cables and chains monthly during usage season for deterioration. Replacements should be made in accordance with the manufacturer's instructions.
- Check all coverings for bolts and sharp edges twice monthly during usage season to be certain that they are in place and replace when necessary. It is especially important to do this at the beginning of each new season.
- Do not use when the temperature drops below 32 degrees F (0 degrees C); remove and store the plastic swing seats and slides indoors.
- Owners shall be responsible for maintaining the legibility of the warning labels.

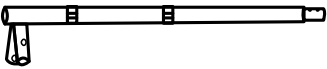

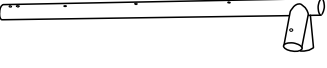
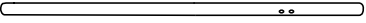
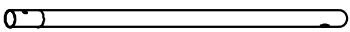



Complete Product View








TOOL

	Wrench (Included)	
	Big Allen Wrench (Included)	
	Wrench (Included)	
	Special Socket Wrench (Included)	
	Medium Allen Wrench (Included)	
	Tape Measure (Not Included)	
	Hammer (Not included)	
	Flat Head and Phillips Head Screwdriver (Not included)	



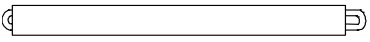


Parts List for Main Frame

Part No.	Picture	Description	Quantity
A1		RIGHT TOP BAR	1
A2		MIDDLE TOP BAR	1
A3		LEFT TOP BAR	1
A4		BOTTOM SECTION LEGR (FOR TEETER TOTTER)	1
A5		LEG	5
A6		CROSS BAR (WITH TWO HOLES)	2
A7		CROSS BAR (WITH FOUR HOLES)	1
C2		END CAP (PRE-ASSEMBLED)	2

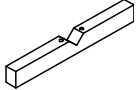


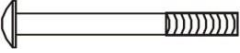

Hardware – Swing Set Frame

Part No.	Picture	Description	Quantity
B1		BOLT 5/16" *2.5" (8MM*64MM)	16
B3		NYLON NUT 5/16"	16
B4		PLASTIC CAP (WITH ARC WASHER)	16
B5		5/16" ARC WASHER	10
B6		5/16" WASHER	6

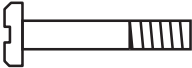
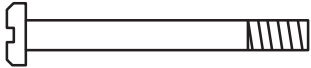



Part list for Roman Glider

Part No.	Picture	Description	Quantity
L1		LEG-GLIDE RIDER	2
L2		SEAT-GLIDE RIDER	1
J2		PVC COVERED CHAIN (PRE-ASSEMBLED)	4
J3		EYE BOLT WITH ATTACHMENT BOLT (PRE-ASSEMBLED)	4
J4		EYE BOLT (PRE-ASSEMBLED)	4

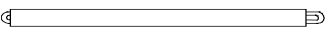




Bracket for Roman Glider

Part No.	Picture	Description	Quantity
R3		BRACKET	2
R8		BRACKET CLAMP	2
L5		WASHER (5/16")	4
N3		BOLT 5/16" *83MM	4
N7		NYLON NUT 5/16"	8

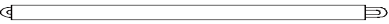



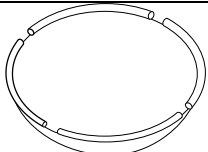
Hardware used for Roman Glider

Part No.	Picture	Description	Quantity
N8		BOLT 1/4"*60MM	4
N9		BOLT 1/4"*148MM	2
N10		NYLON NUT 1/4"	6
N11		PLASTIC CAP (WITH LARGE WASHER)	8
N12		WASHER (1/4")	12





Part list for Swing Seat

Part No.	Picture	Description	Quantity
J1		PVC COVERED CHAIN (PER-ASSEMBLED)	4
J3		EYE BOLT WITH ATTACHMENT BOLT (PRE-ASSEMBLED)	4
K1		SWING SEAT	2
J6		NYLON NUT 5/16" (8mm)	4
J8		PLASTIC CAP (CURVED FOR ARC WASHER)	4







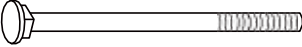
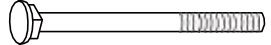
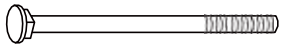



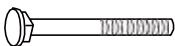

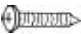







Part list for Flying Saucer

Part No.	Picture	Description	Quantity
R1		PVC COVERED CHAIN (PER-ASSEMBLED)	4
R2A		LONG EYE BOLT WITH CHAIN (PRE-ASSEMBLED)	2
R2B		SHORT EYE BOLT WITH CHAIN (PRE-ASSEMBLED)	4
R4		FLYING SAUCER TUBE	4
R7		FLYING SAUCER	1








Hardware used for Flying Saucer

Part No.	Picture	Description	Quantity
F1		BOLT 5/16" (8mm)	2
F2		REINFORCING STEEL SPACER	2
F3		NYLON NUT 3/8 " (8mm)	4
F4		ARC WASHER 3/8 " (8mm)	4

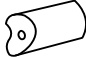




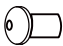


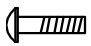

Parts used for Teeter Totter

Part No.	Picture	Description	Quantity
U16		SEAT	2
U17		SEAT SUPPORT	1
U18		HANDLE BAR	2
U19-1		LEFT HANDLE BAR SUPPORT	2
U19-2		RIGHT HANDLE BAR SUPPORT	2
U20		LSHAPED TUBE	1
U1		BOLT 5/16" x 3-2/9" (8mm x 82mm)	4
U2		BOLT 5/16" x 2-8/11" (8mm x 63mm)	1
U3		BOLT 5/16" x 2-9/13" (8mm x 68mm)	2
U4		ARC WASHER $\Phi 8.5\Phi 19 \times T1.5\text{mm}$	10
U5		NYLON NUT 5/16" (8mm)	7
U6		CAP NUT 1/4" (6mm)	4
U7		BOLT 1/4" x 1-1/2" (6mm x 38mm)	4
U8		SPRING WASHER	4
U9		SCREW 3/19" x 9/12" (4mm x 12mm)	4
U10		PLASTIC CAP (WITH WASHER)	1
U11		SHOCK PAD (PRE-ASSEMBLED)	2
U12		END COVER FOR SEAT SUPPORT (PRE-ASSEMBLED)	3
U13		END COVER FOR HANDLE BAR SUPPORT (PRE-ASSEMBLED)	4
U14		WASHER	1
U15		PLASTIC CAP (WITH ARC WASHER)	2
U21		SPRING WASHER(SMALL)	4

Parts used for Slide

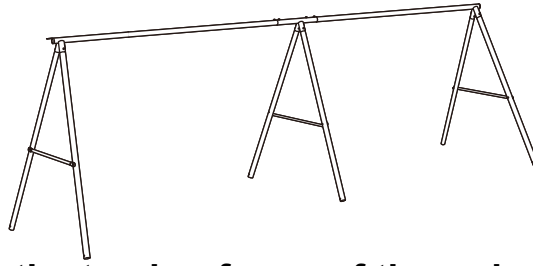
Part No.	Picture	Description	Quantity
X1-N		SLIDE SUPPORT (WITH OPENING)	1
X2-N		SLIDE SUPPORT	1
X3-N		SLIDE LEG TUBE	2
X4-N		SLIDE TOP SUPPORT BAR	1
X5-N		SLIDE FRONT SUPPORT	1
X6		SLIDE LADDER STEPS	2
Y2		SLIDE	1

Hardware used for Slide

Part No.	Picture	Description	Quantity
Y1		PLASTIC CONNECTOR	2
Z1		BOLT 1/4"38mm	2
Z2		BOLT 1/4" x 115mm	2
Z3		SPRING WASHER(LARGE)	4
Z4		CAP NUT 1/4"	6
Z5		CAP BOLT 1/4" x 14mm	4
Z6		SPRING WASHER (MEDIUM)	20
Z7		BOLT 1/4" x 70mm	2
Z8		BOLT 1/4" x 36mm	4
Z9		BOLT 1/4" x 46mm	4

Assembly Instructions

AREA OF INSTALLATION - SWING SET TOP BAR



STEP 1 – Assemble the top bar frame of the swing set

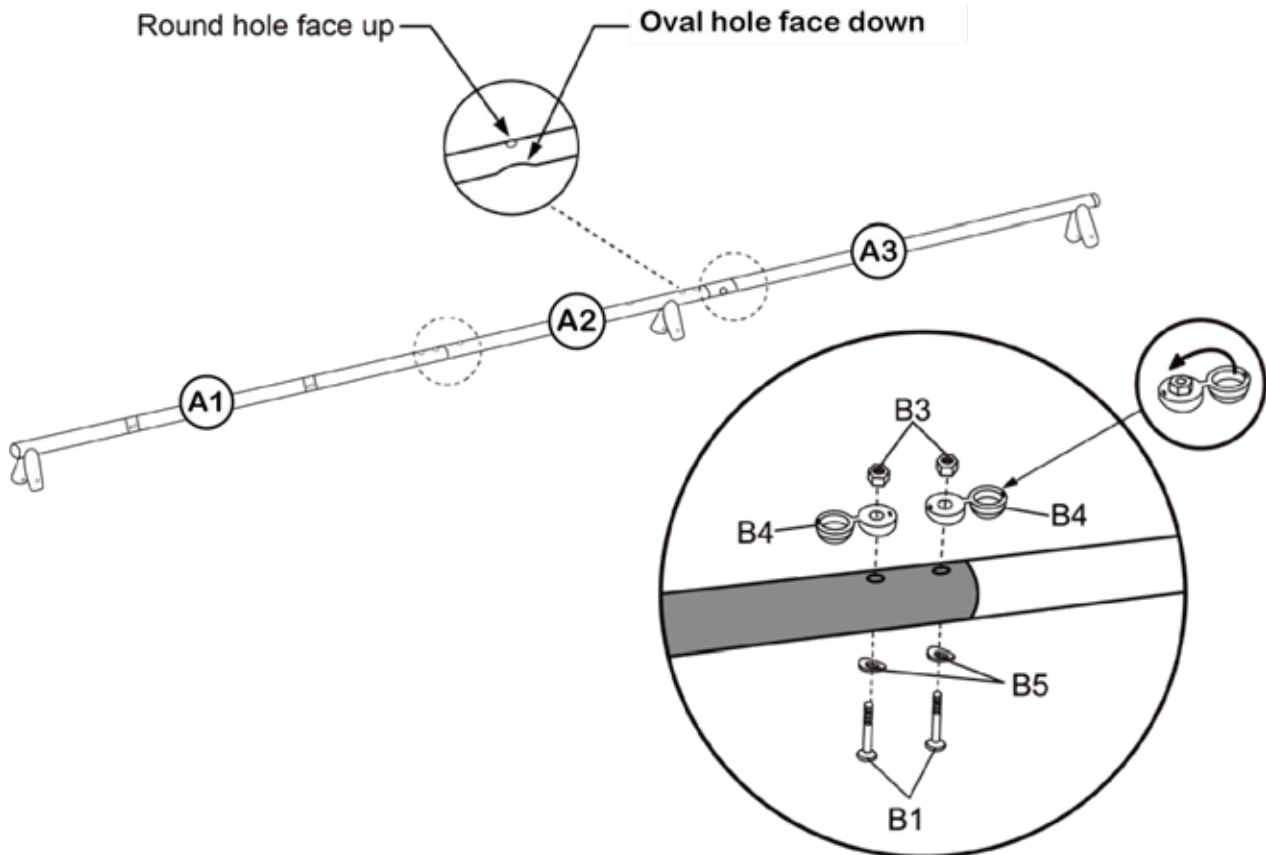
➤ Connect Top Bars A1, A2 and A3 together. Secure using B1, B5, B4 and B3 as shown below.

Part#	Qty	Hardware#	Qty
A1	1 PC	B1	4 PCS
A2	1 PC	B5	4 PCS
A3	1 PC	B4	4 PCS
		B3	4 PCS

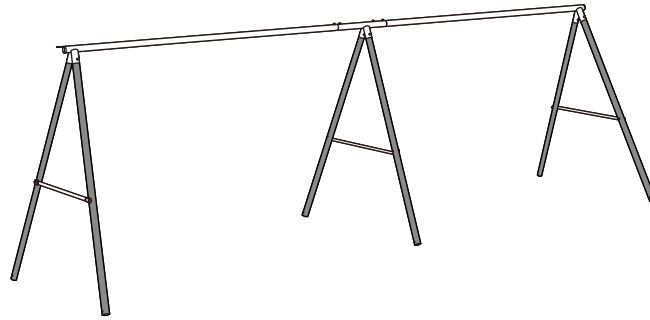
😊 **Helpful Hint:** All round holes should be facing up and oval holes facing down.

😊 **Helpful Hint:** Be careful not to crack the plastic caps when tightening the bolts.

NOTE: For easier assembly, do not tighten the bolts all the way initially to allow room for adjustment. You must go back and fully tighten all bolts after the entire swing set is assembled




AREA OF INSTALLATION - SWING SET TOP BAR




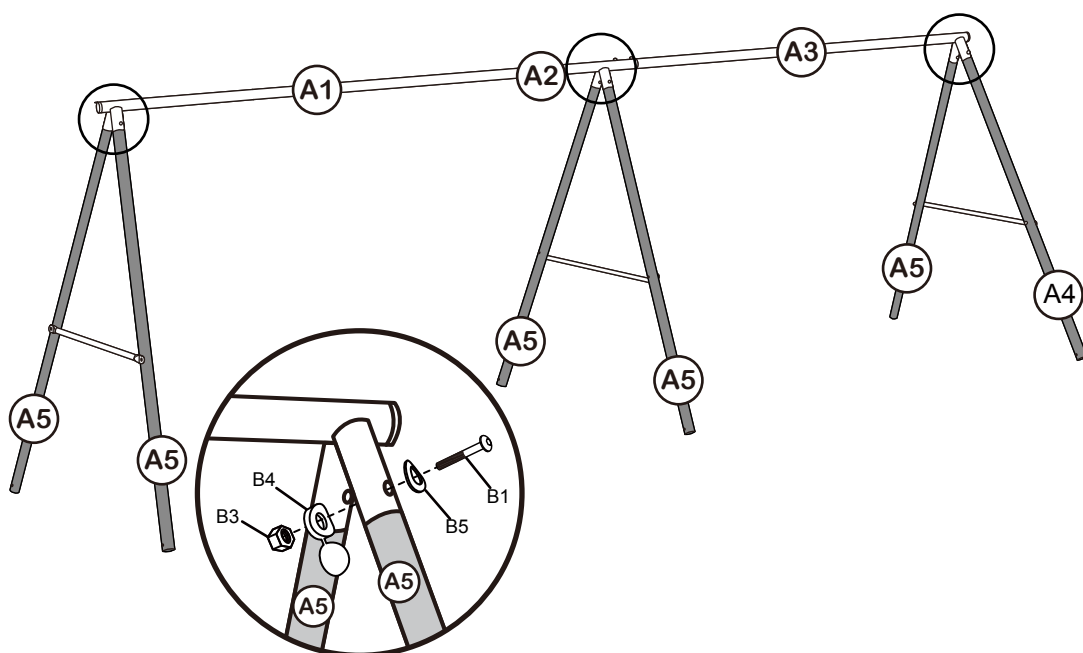
Step 2 – Assemble Support Legs of Swing Set Frame

- Connect A4 and A5 to A1, A2 and A3. Secure all legs using B1, B5, B4 and B3 in the sequence shown in the enlarged diagram.

Part#	Qty	Hardware#	Qty
A4	1 PC	B1	6 PCS
A5	5 PCS	B5	6 PCS
		B4	6 PCS
		B3	6 PCS

 **Helpful Hint:** The two extra holes on A4 are used for connecting the teeter totter in later steps and need to be placed towards the front of the swing set.

 **Helpful Hint:** Make sure that the indentation in the middle of the support legs face outward. This will be for later steps.



Assembly Instructions

AREA OF INSTALLATION – CROSS BARS

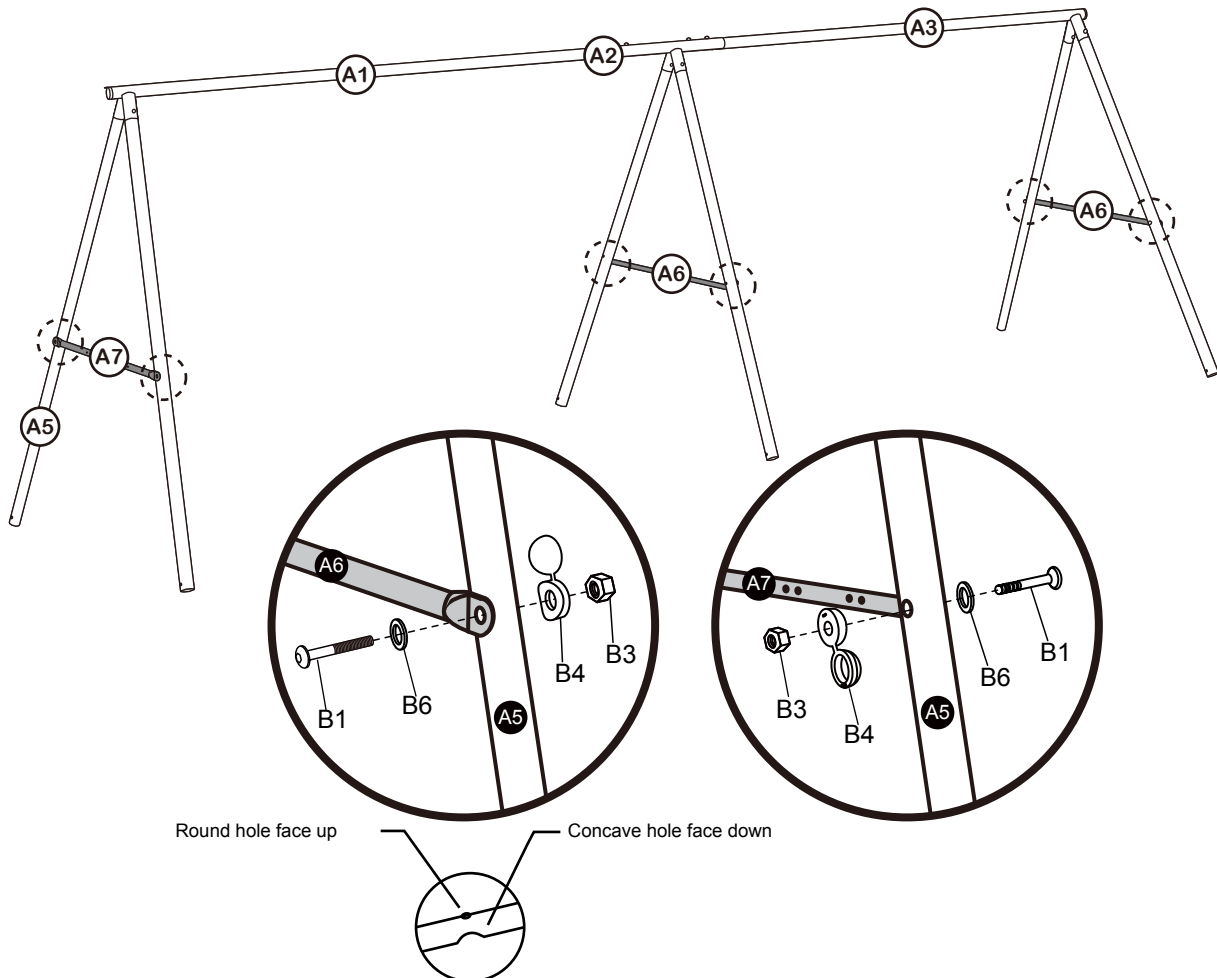


STEP 3 – Assemble Cross Bar to Support Legs

- Attach Cross Bar (# A6 and #A7) to the outer sides of Legs (# A5). Secure using B1, B6, B4 and B3 as shown in below.

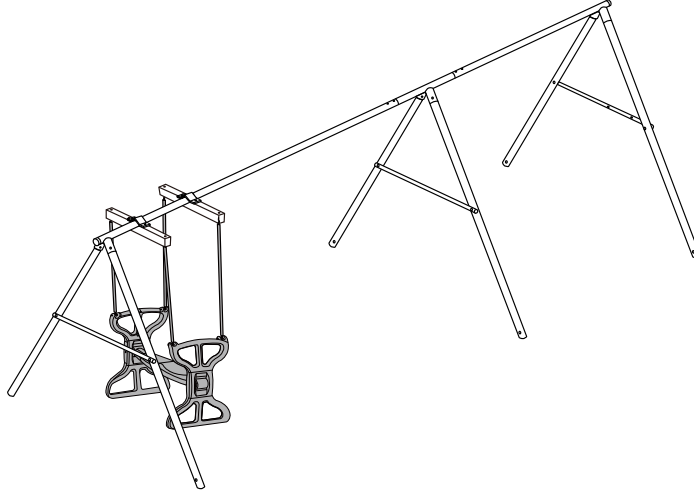
Part#	Qty	Hardware#	Qty
A6	2 PCS	B1	6 PCS
A7	1 PC	B6	6 PCS
		B4	6 PCS
		B3	6 PCS

Note: Please note that A7 has two extra holes that will be used for connection to the slide in later steps. These holes must be located closer towards the front of the swing set where the slide will go down to avoid the risk of entrapment.



Assembly Instructions

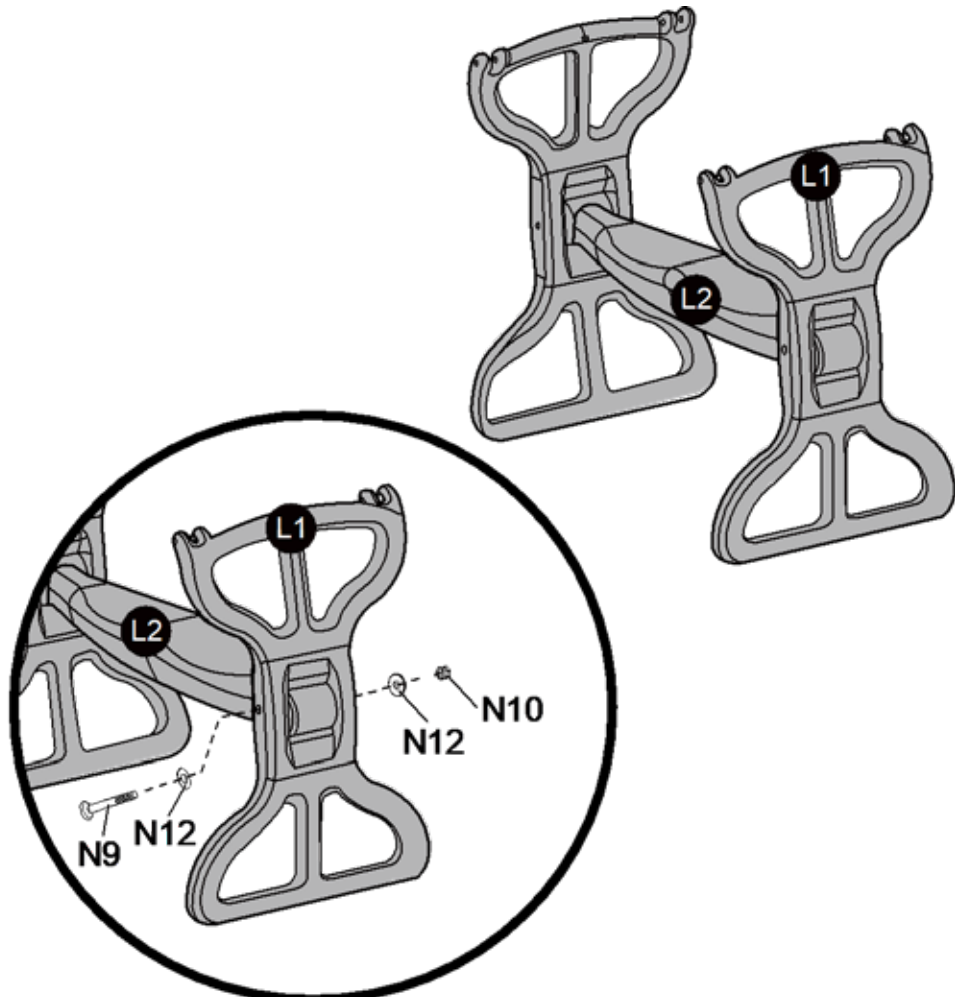
AREA OF INSTALLATION – Roman Glider



Step 4 - Assemble Roman Glider

- Place Seat-Glide (#L2) in the middle of both Leg-Glide (#L1). Secure using N9, N12 and N10 as shown below.

Part#	Qty	Hardware#	Qty
L1	2 PCS	N9	2 PCS
L2	1 PC	N12	4 PCS
		N10	2 PCS

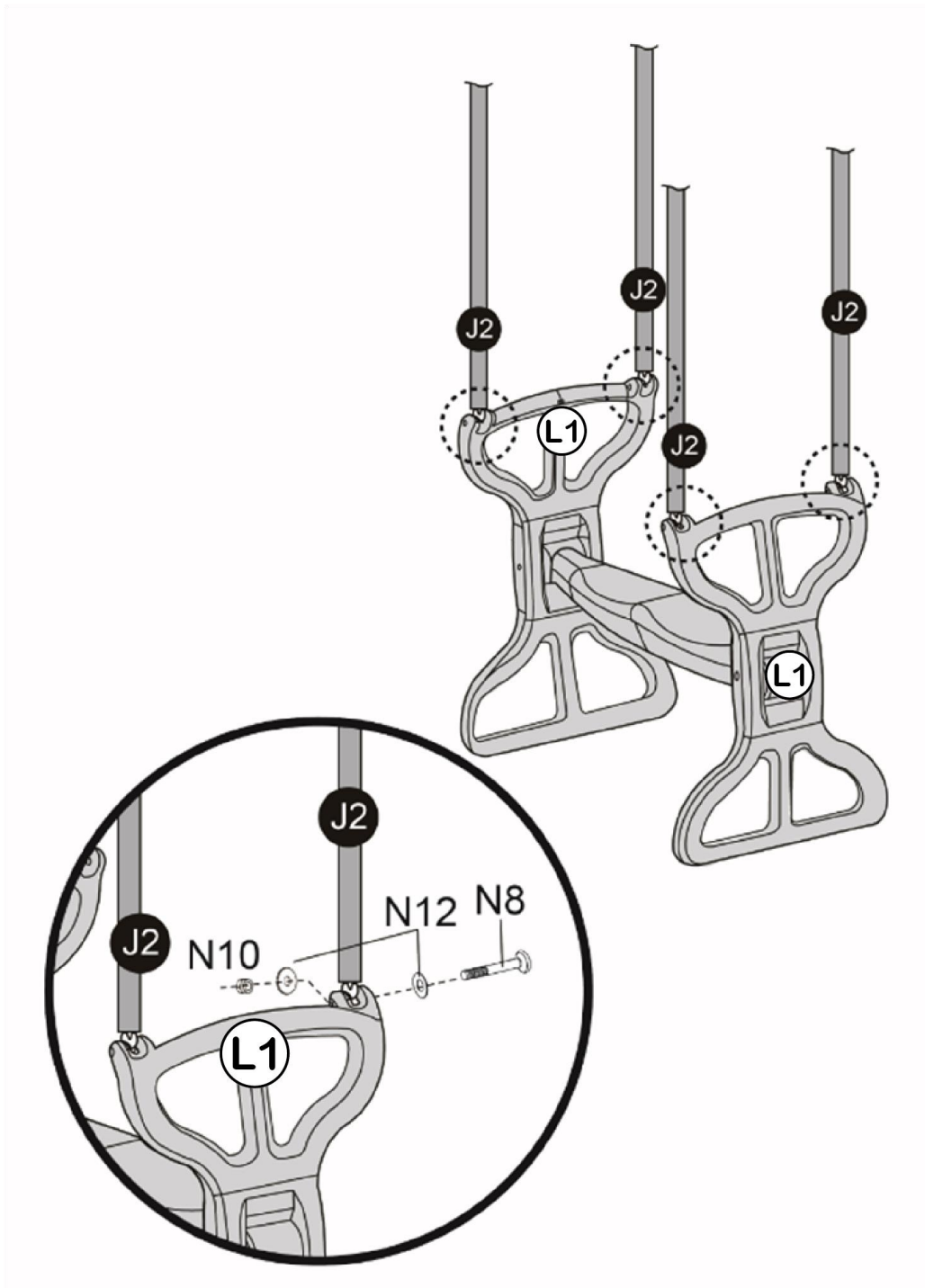


Assembly Instructions

Step 5 – Connect Chain to Roman Glider

- Attach Roman Glider (#L1) to Chain (#J2). Secure using N8, N12 and N10, as shown below.
- Repeat the same process for all four chains.

Part#	Qty	Hardware#	Qty
J2	2 PCS	N8	4 PCS
		N12	8 PCS
		N10	4 PCS



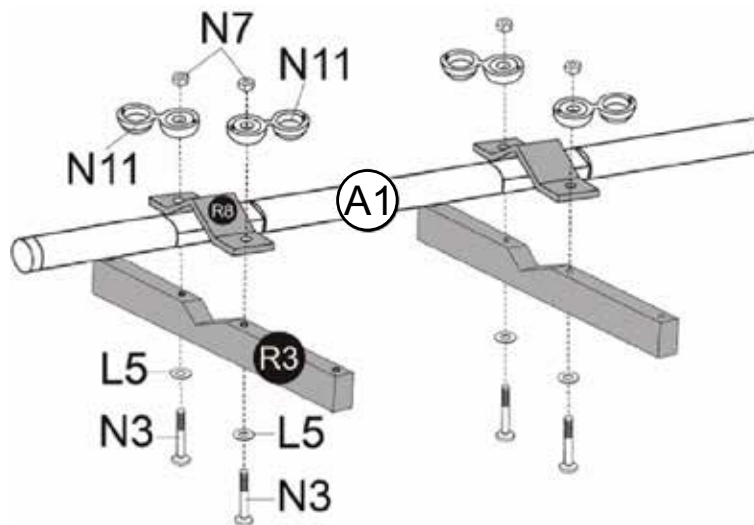
Assembly Instructions

STEP 6 – Connect Chain to Frame

- Attach R8 and R3 to A1

Part#	Qty	Hardware#	Qty
R8	2 PCS	N7	4 PCS
R3	2 PCS	N11	4 PCS
		L5	4 PCS
		N3	4 PCS

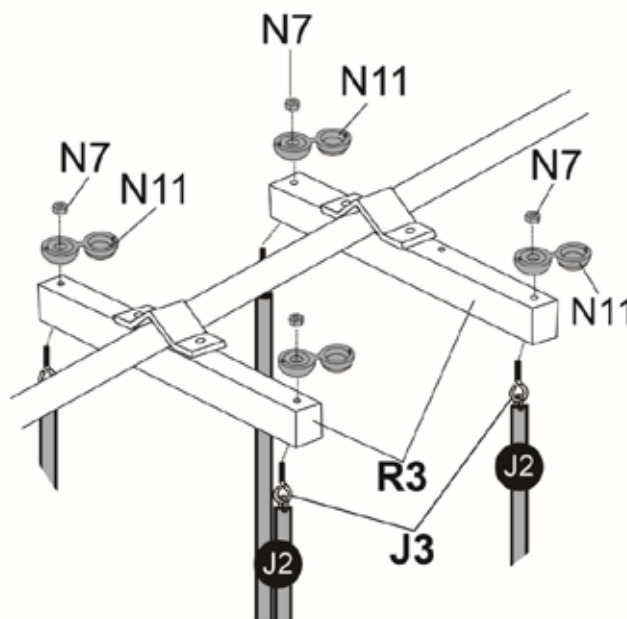
Diagram A



- Attach J2 to R3

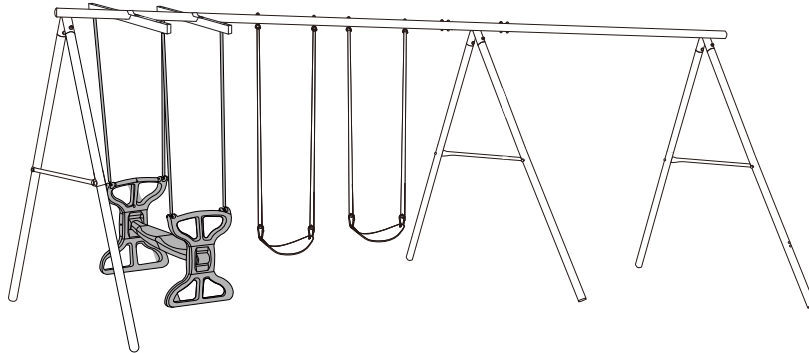
Part#	Qty	Hardware#	Qty
R8	2 PCS	N7	4 PCS
R3	2 PCS	N11	4 PCS

Diagram B



Assembly Instructions

AREA OF INSTALLATION – SWING SEAT



STEP 7 - Swing Seat Assembly

- Connect the swing seat to the chains by inserting J1 through K1 as shown in Diagram A.
- Connect swing set chains to the top bar by inserting J3 through A2. Secure with J8 and J6 as shown in Diagram B.
- Repeat the same process for both sets of swings.

Part#	Qty	Hardware#	Qty
J1	4 PCS	J8	4 PCS
K1	2 PCS	J6	4 PCS

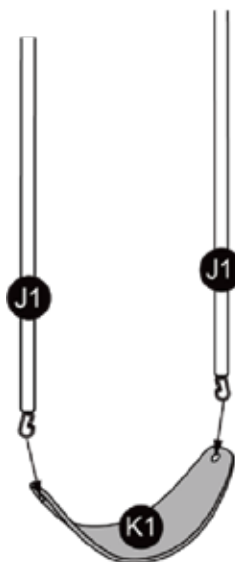


DIAGRAM A

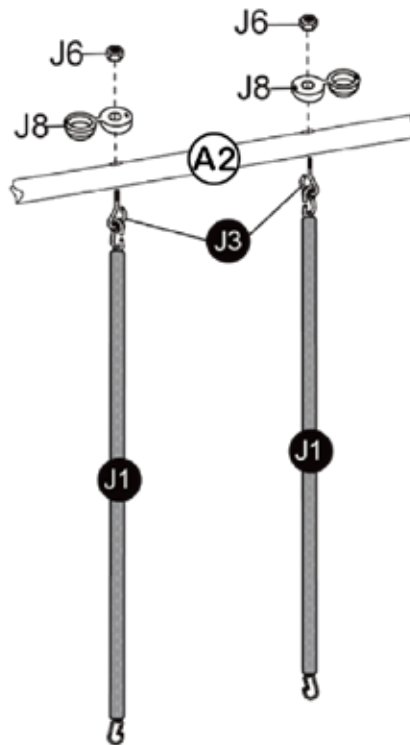
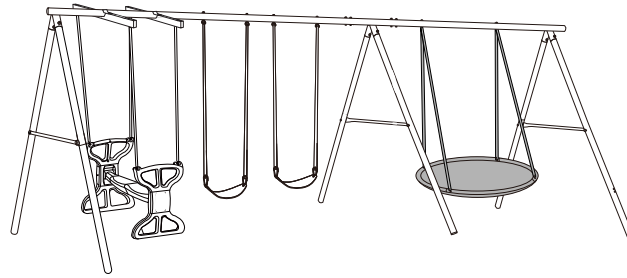


DIAGRAM B

Assembly Instructions

AREA OF INSTALLATION - FLYING SAUCER



STEP 8 – Flying Saucer Assembly

- Slide Flying Saucer Tubes R4 into the pockets of Flying Saucer R7 as shown in DIAGRAM A.
- Connect the four tubes together and align the holes with the round holes facing downward.
- Connect Short Eye Bolt with Chain R2B to the Flying Saucer and secure with F4 and F3 as shown in DIAGRAM B.

Part#	Qty	Hardware#	Qty
R7	1 PC	F4	4 PCS
R4	4 PCS	F3	4 PCS
R1	4 PCS		

DIAGRAM A

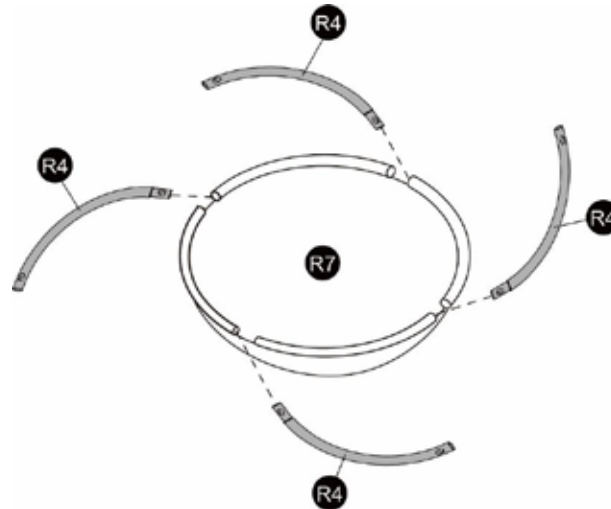
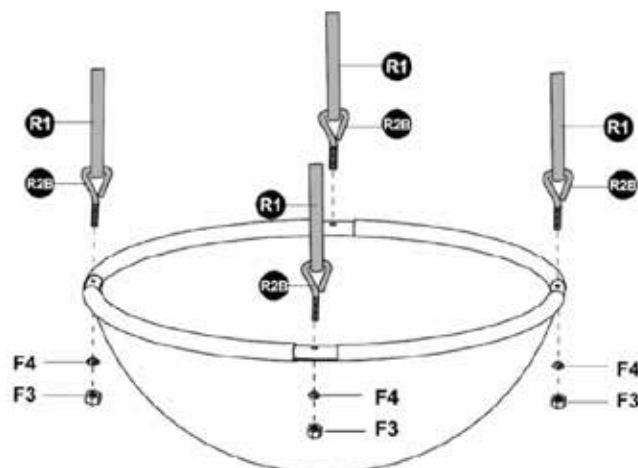


DIAGRAM B

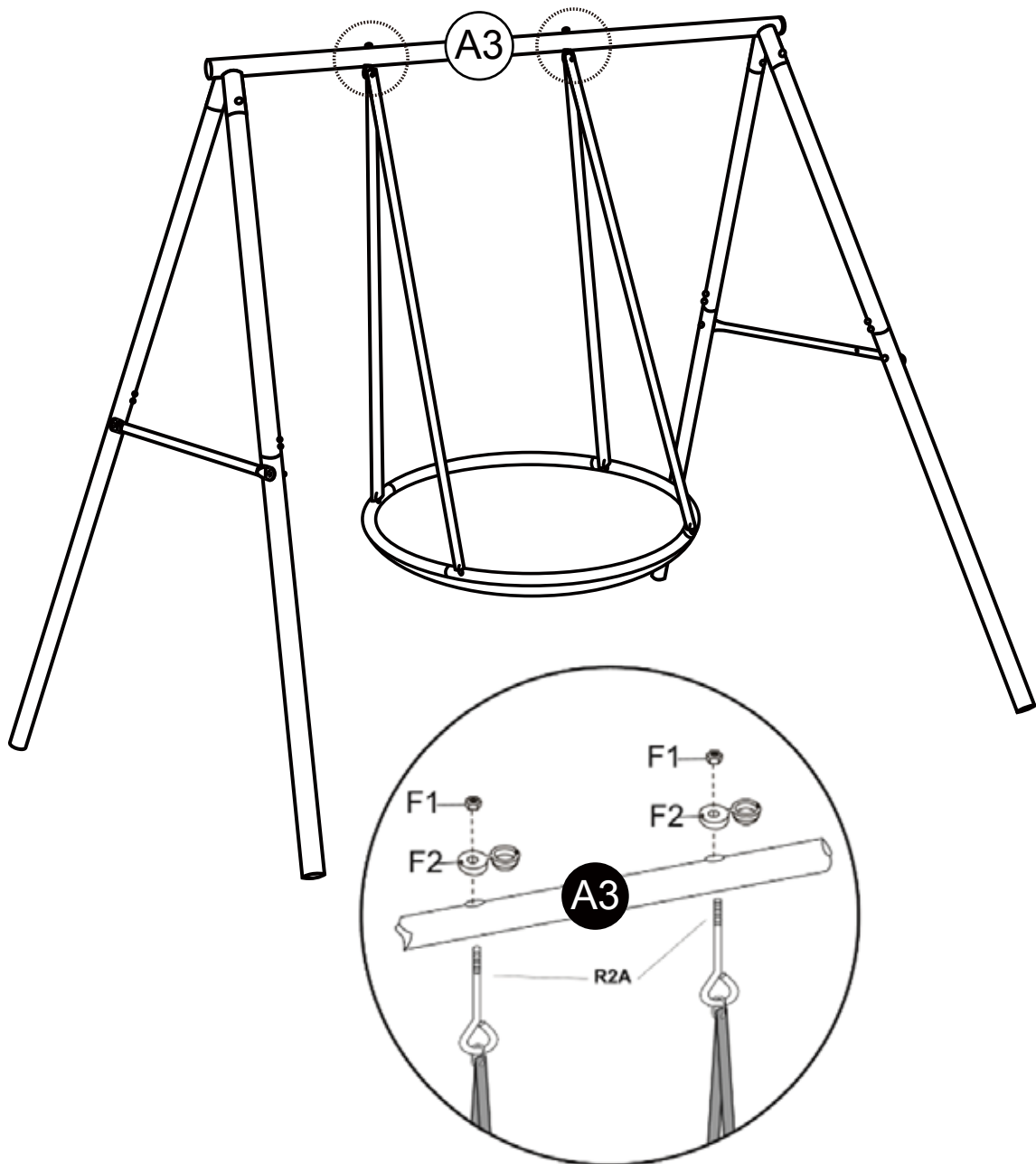


Assembly Instructions

Step 9 – Flying Saucer Assembly (continued)

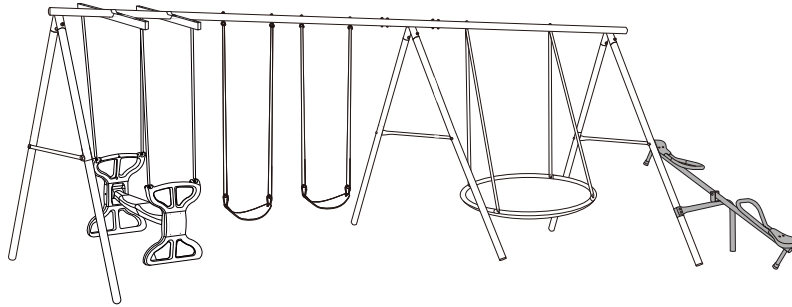
- Insert Eye Bolt for Swing Chain R2A into the holes on A1 and secure with F2 and F1 as shown below.

Part#	Qty	Hardware#	Qty
		F1	2 PCS
		F2	2 PCS



Assembly Instructions

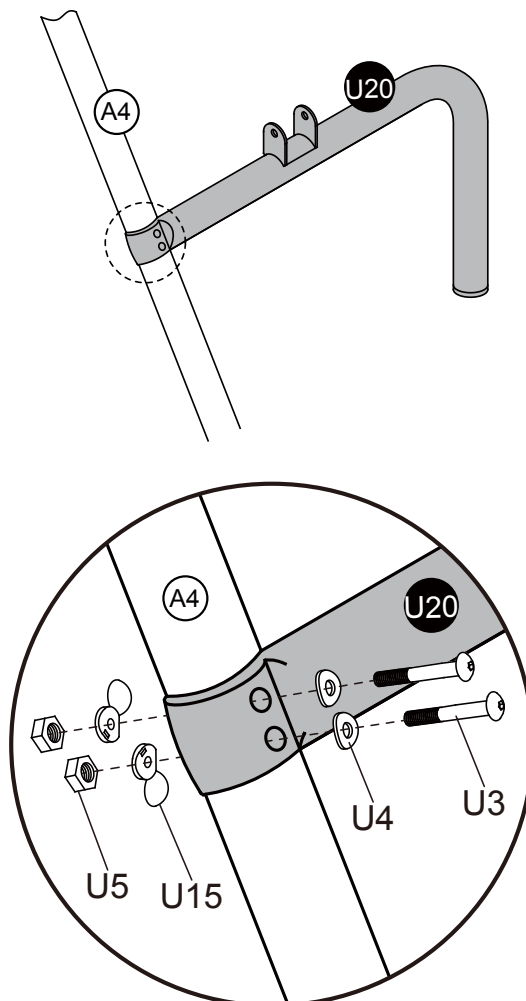
AREA OF INSTALLATION – TEETER TOTTER



STEP 10 - Teeter Totter Assembly

- Attach U20 to A4. Align the holes on U20 to the two holes on the bottom of A4 and secure using U3, U4, U15 and U5 as shown below.

Part#	Qty	Hardware#	Qty
U20	1 PC	U3	2 PCS
		U4	2 PCS
		U15	2 PCS
		U5	2 PCS

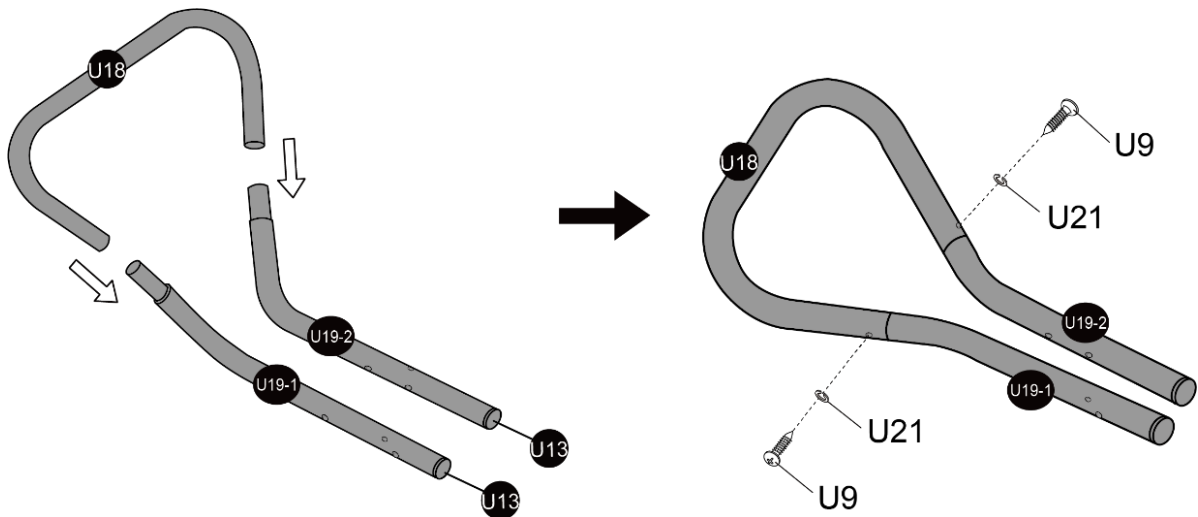


Assembly Instructions

STEP 11 - Teeter Totter Assembly (continued)

- Attach U18 to U19-1 and U19-2 and secure using U9 and U21.
- Repeat the same process to install both sets.

Part#	Qty	Hardware#	Qty
U18	2 PCS	U9	4 PCS
19-1	2 PCS	U21	4 PCS
19-2	2 PCS		

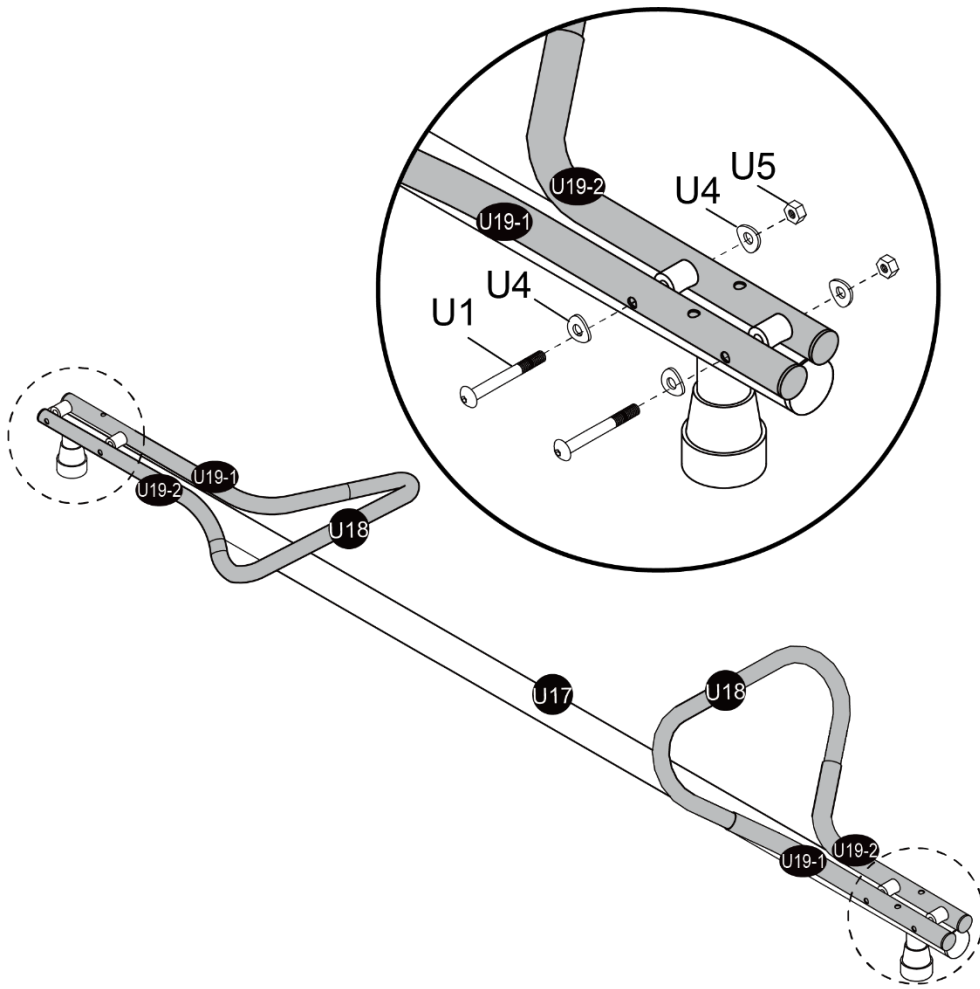


Assembly Instructions

STEP 12 - Teeter Totter Assembly (continued)

- Secure U19-1 and U19-2 to U17 using U1, U4 and U5 as shown below.
- Repeat in the same manner for the other side

Part#	Qty	Hardware#	Qty
U17	1 PC	U1	4 PCS
		U4	8 PCS
		U5	4 PCS

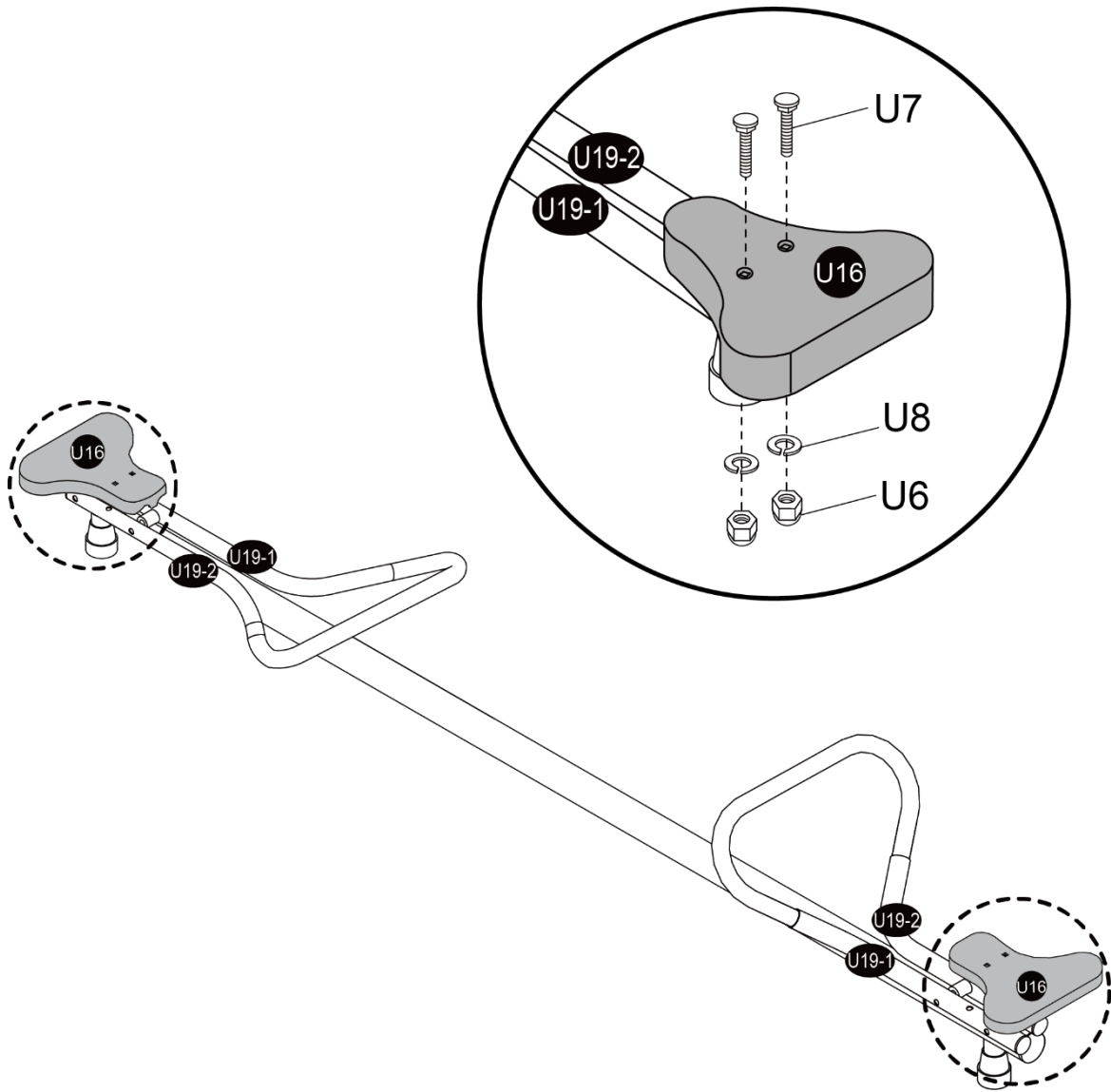


Assembly Instructions

STEP 13 – Teeter Totter Assembly (continued)

➤ Secure U16 to U19-1 and U19-2 using U7, U8 and U6 as shown below.

Part#	Qty	Hardware#	Qty
U16	2 PCS	U7	4 PCS
		U8	4 PCS
		U6	4 PCS

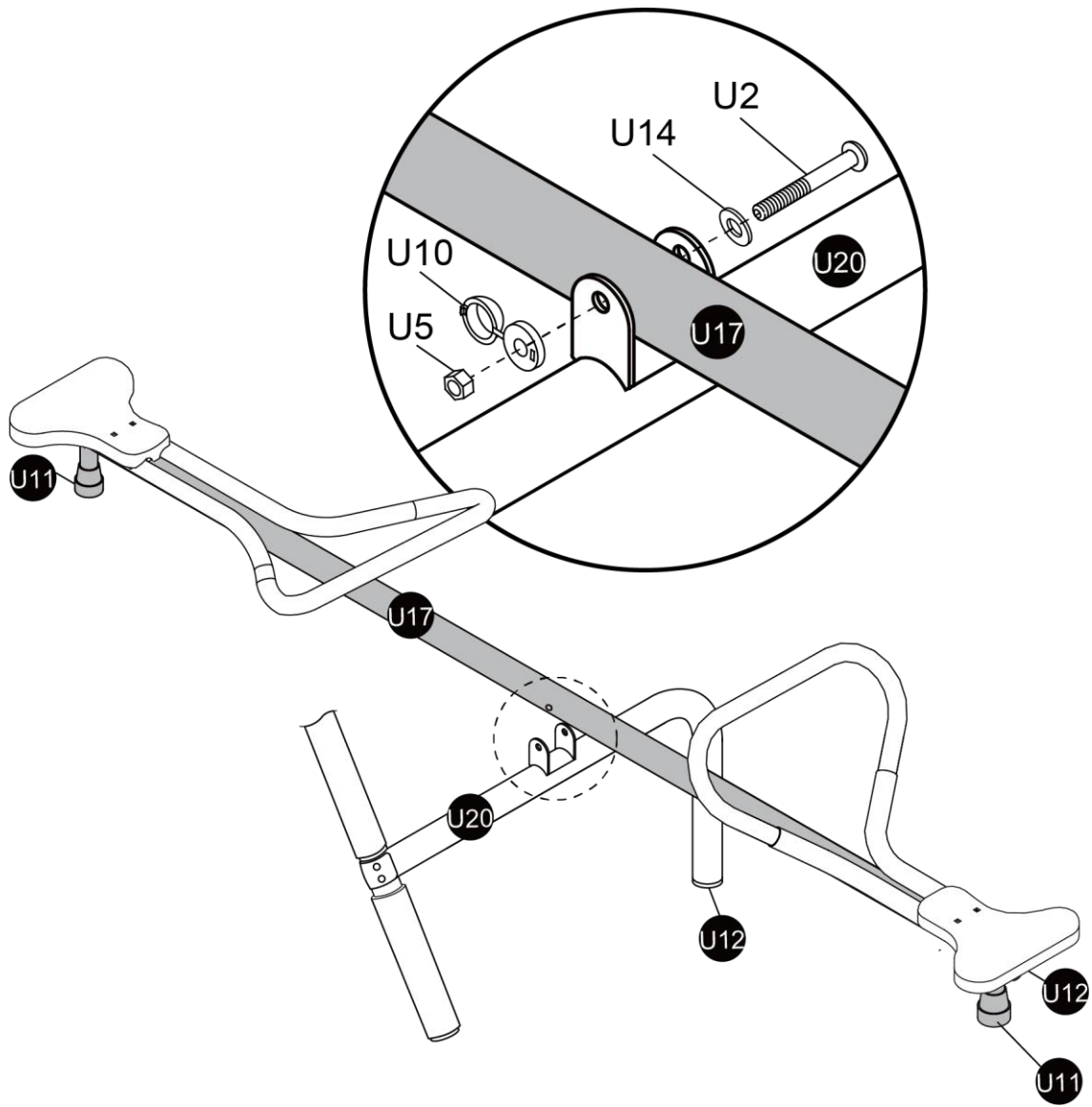


Assembly Instructions

STEP 14 - Teeter Totter Assembly (continued)

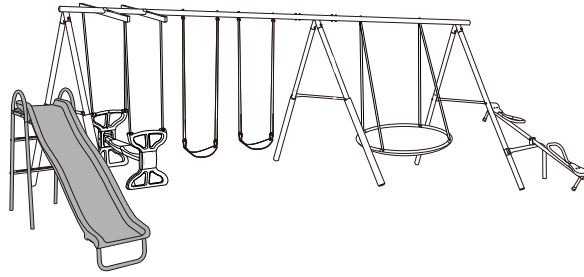
➤ Secure U17 to U20 using U2, U14, U10 and U5 as shown below.

Part#	Qty	Hardware#	Qty
U17	1 PC	U2	1 PC
		U14	1 PC
		U10	1 PC
		U5	1 PC



Assembly Instructions

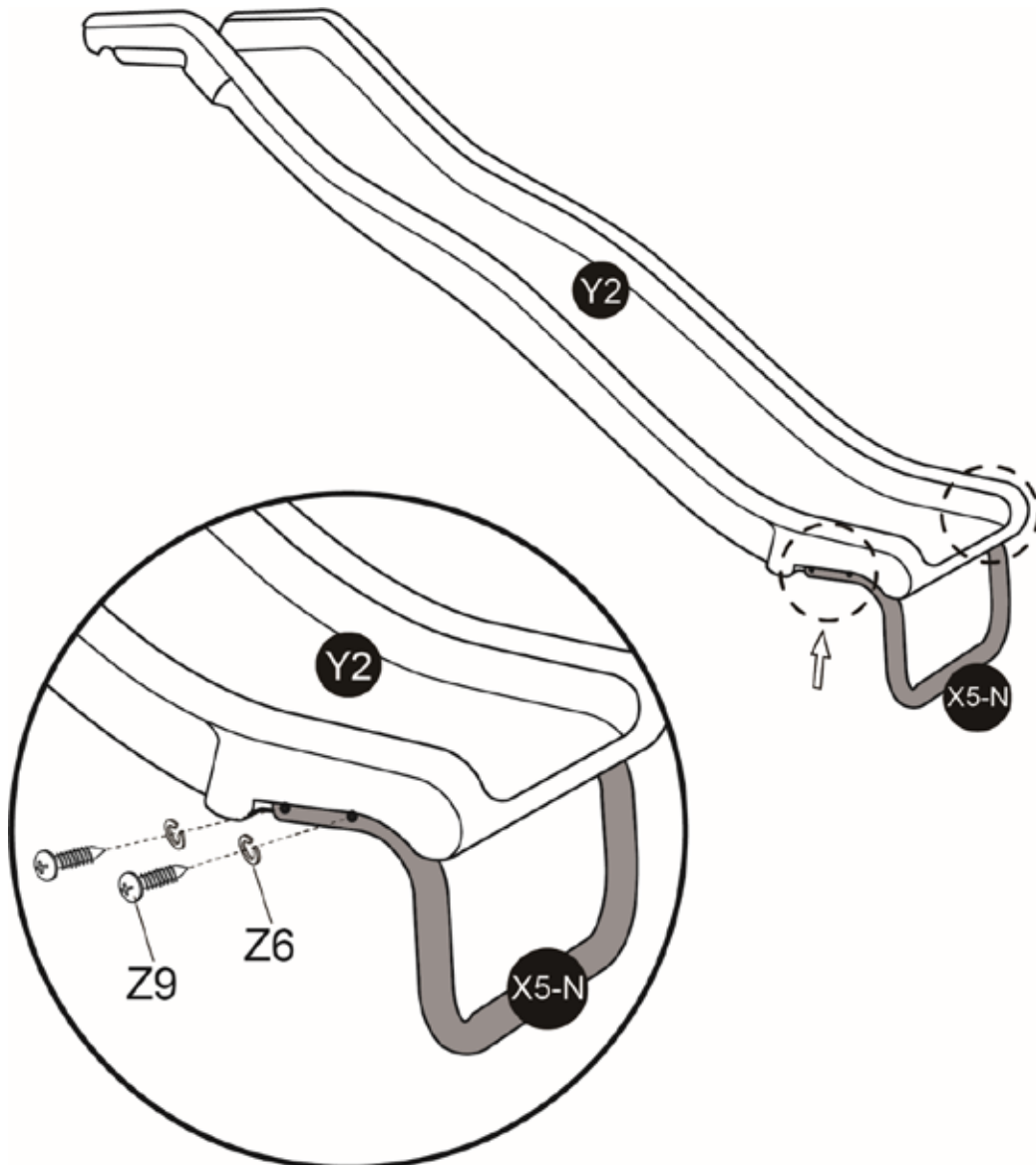
AREA OF INSTALLATION - SLIDE



Step 15 - Slide assembly

- Insert Slide Front Support (X5-N) into Slide (Y2) and secure with Z9 and Z6.

Part#	Qty	Hardware#	Qty
Y2	1 PC	Z9	4 PC
X5-N	1 PC	Z6	4 PC



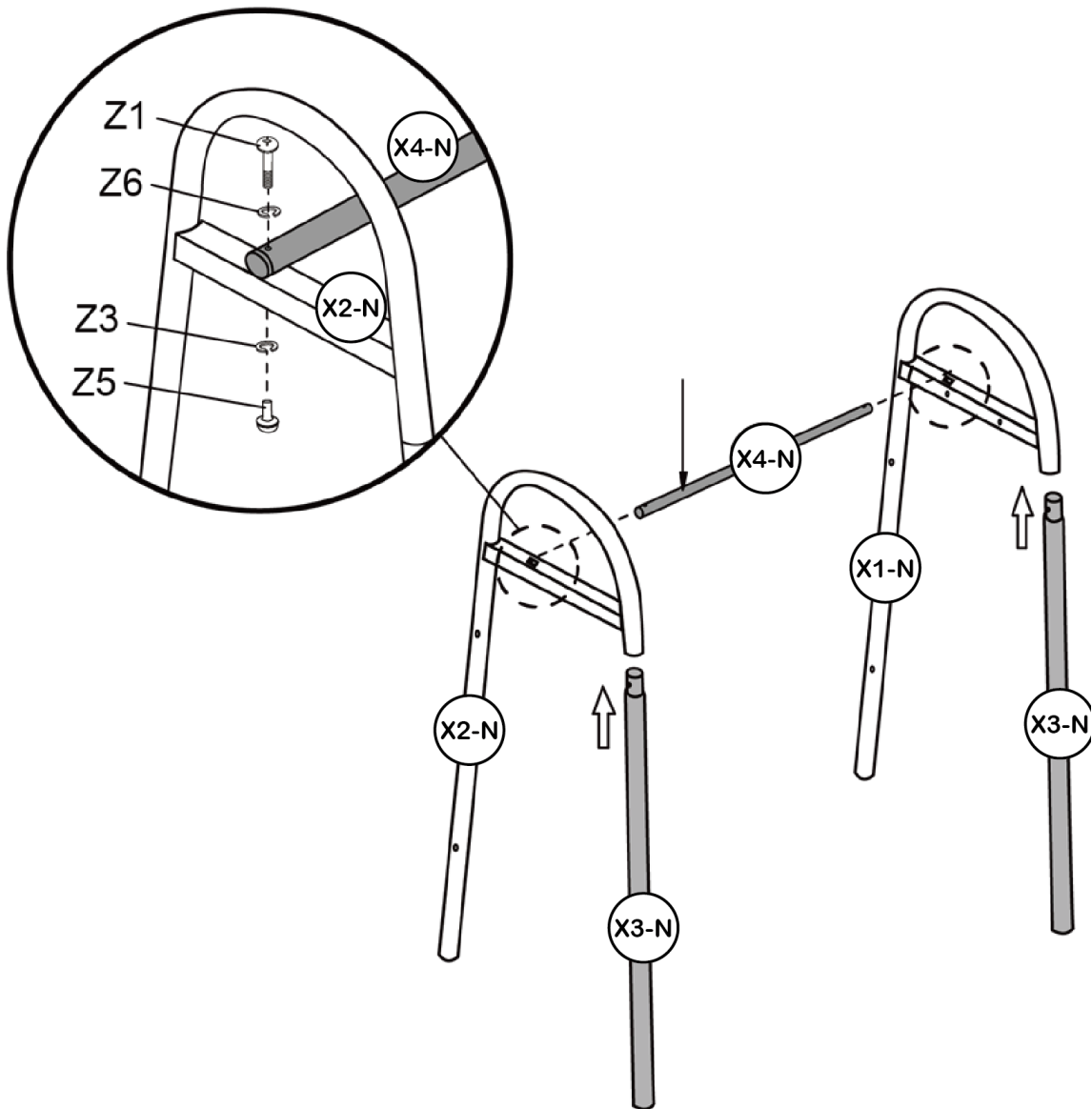
Assembly Instructions

Step 16 - Slide assembly (continued)

- Insert Slide Leg Tube (X3-N) into X1-N and X2-N as shown below. Align the holes and hold in position.
- Connect the Slide Top Support Bar (X4-N) onto the Slide Supports (X1-N and X2-N) and secure both ends using Z1, Z6, Z3 and Z5 as shown below.

Part#	Qty	Hardware#	Qty
X2-N	1 PC	Z1	2 PCS
X1-N	1 PC	Z6	2 PCS
X3-N	2 PCS	Z3	2 PCS
X4-N	1 PC	Z5	2 PCS

DIAGRAM A

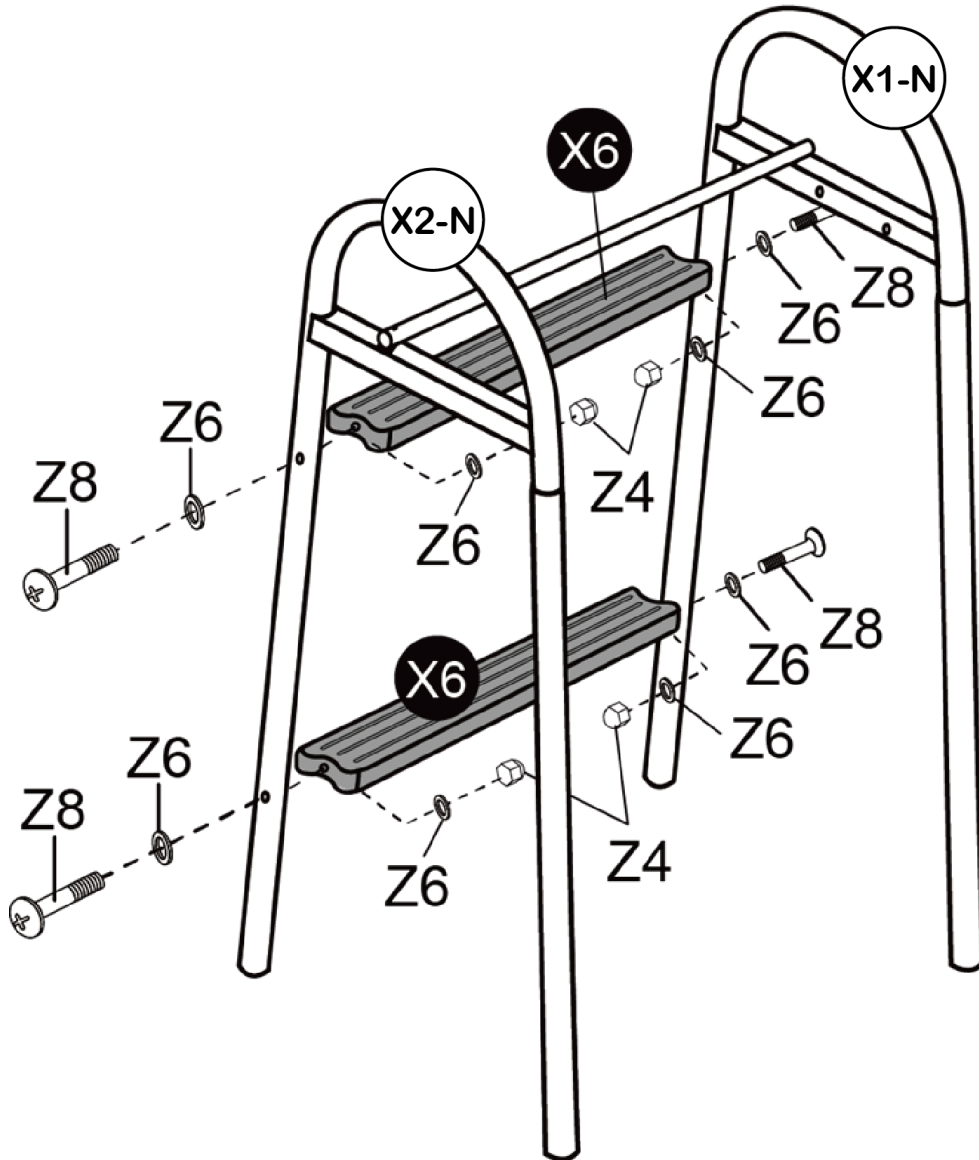


Assembly Instructions

Step 17 - Slide assembly (continued)

- Connect Slide Ladder Steps (X6) to Slide Supports (X1-N and X2-N). Secure both sides using Z8, Z6 and Z6, Z4 as shown below.

Part#	Qty	Hardware#	Qty
X6	2 PCS	Z8	4 PCS
		Z6	8 PCS
		Z4	4 PCS



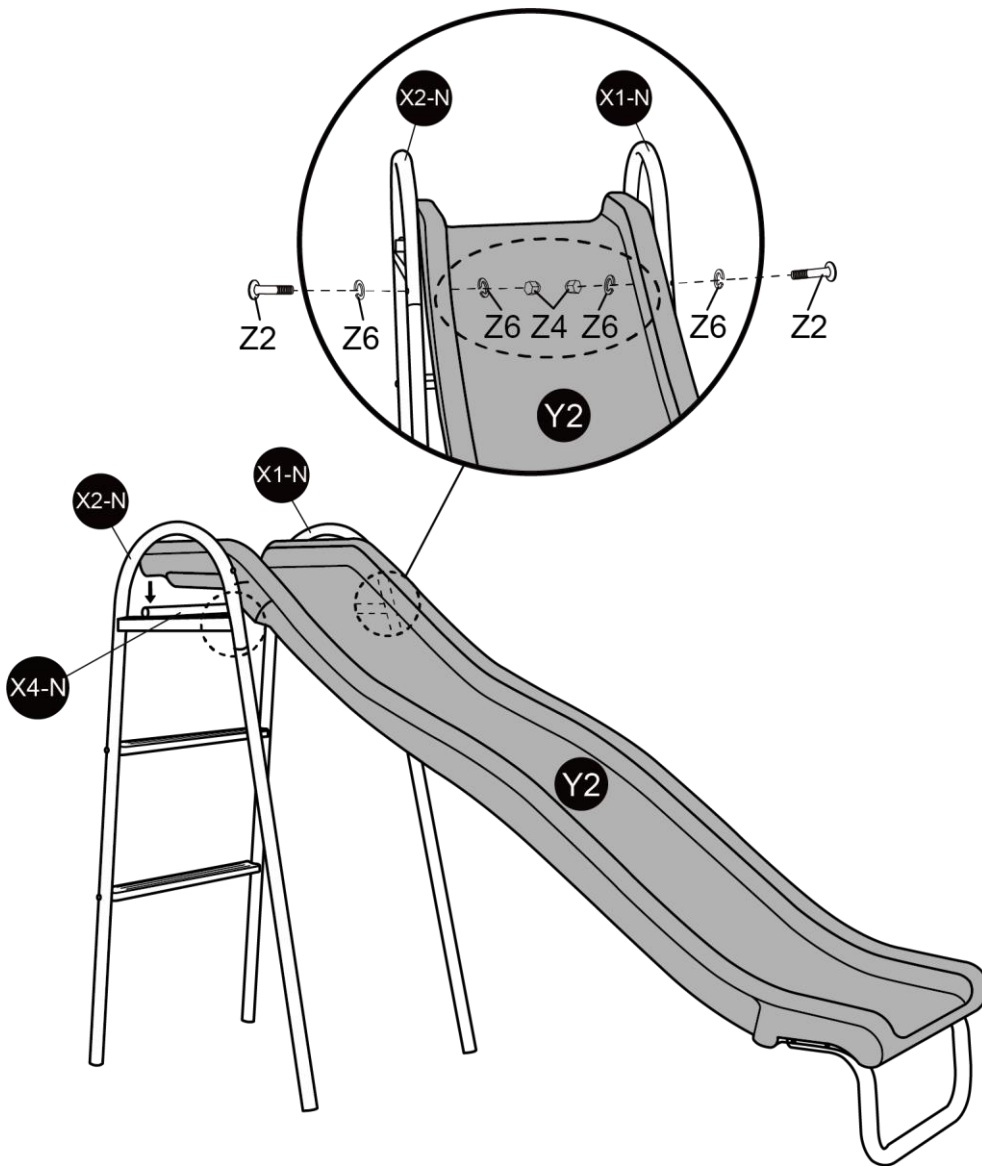
Assembly Instructions

STEP 18 – Slide Assembly (continued)

- Lift the slide (Y2) and place it onto Slide Top Support Bar (X4-N).
- Secure Slide (Y2) to the leg tubes on both sides using Z2, Z6 and Z4 as shown below.

😊 Helpful Hint: Make sure the Slide (Y2) is securely attached in place.

Part#	Qty	Hardware#	Qty
		Z2	2 PCS
		Z6	4 PCS
		Z4	2 PCS

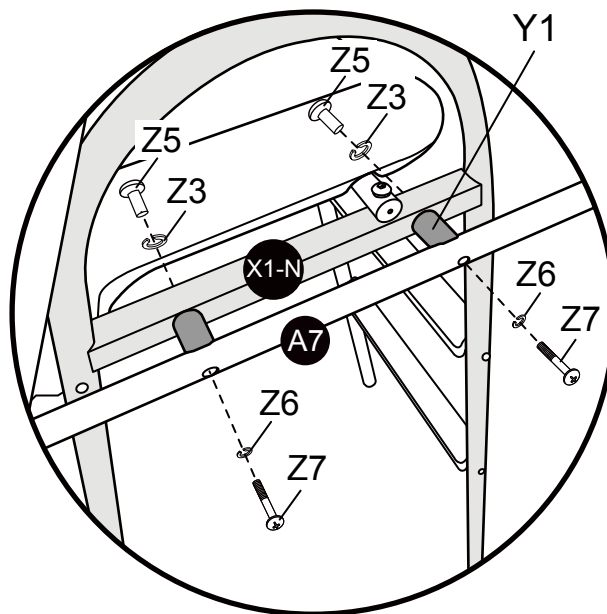
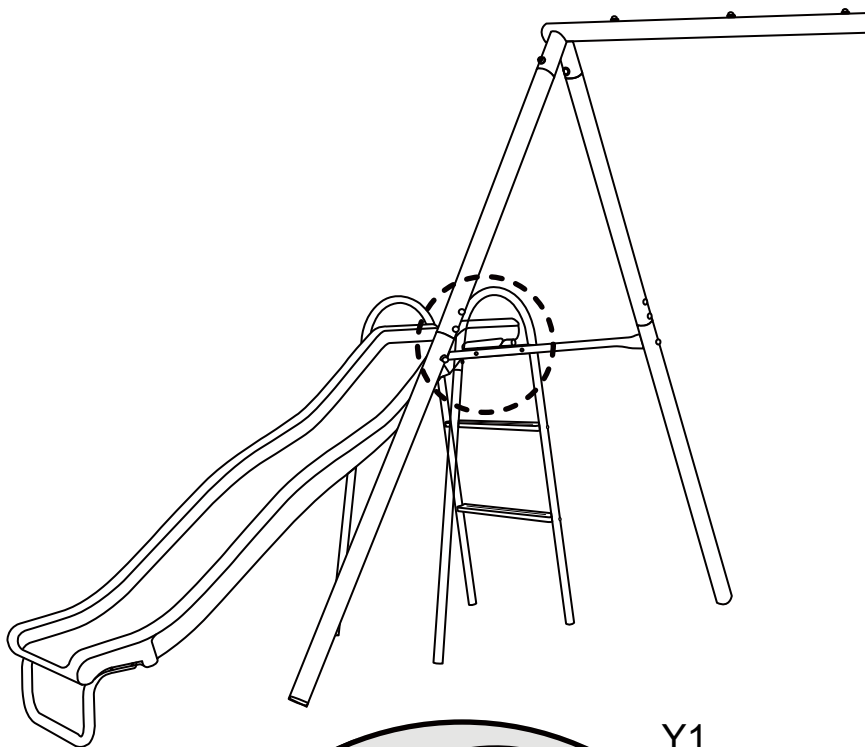


Assembly Instructions

STEP 19 – Connect the slide to the swing set

➤ Connect the assembled slide to the swing set frame. Place Plastic Connector (Y1) between A7 and X1-N and secure together using Z7, Z6, Z3 and Z5 as shown below.

Part#	Qty	Hardware#	Qty
Y1	2 PCS	Z7	2 PCS
		Z6	2 PCS
		Z3	2 PCS
		Z5	2 PCS



Assembly Instructions

Congratulations!

You have now completed the swing set assembly. Please make sure to thoroughly check all parts and hardware to make sure all bolts and nuts are well secured before using the playground equipment.



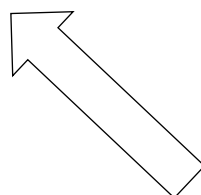
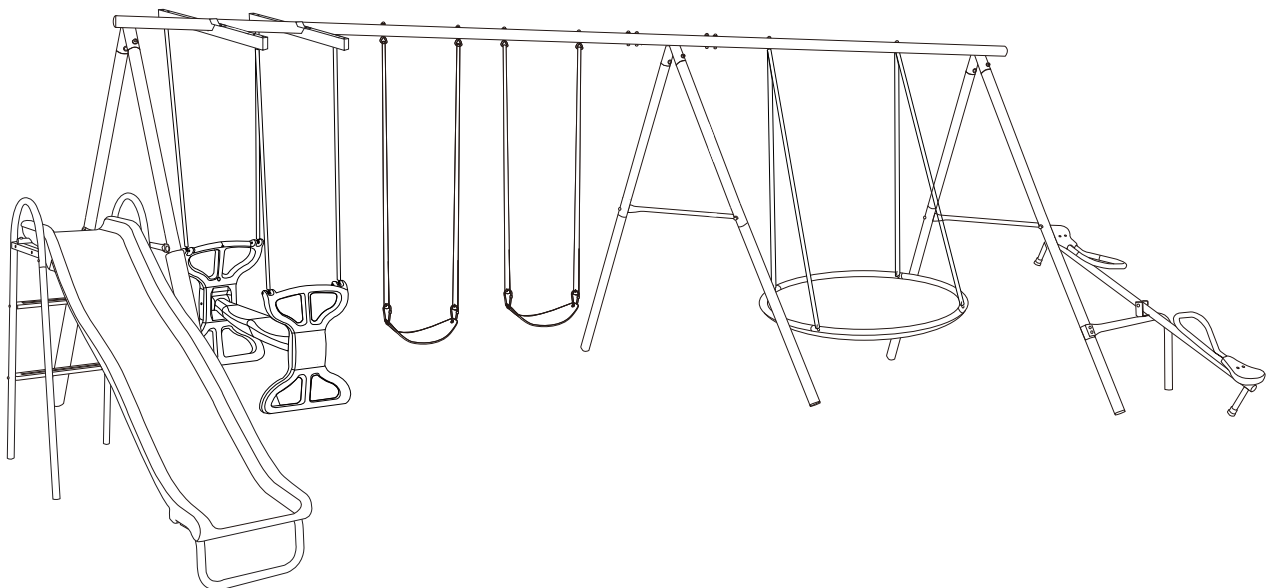
WARNING

Do not let children use the playground equipment until it is properly assembled and anchored.



WARNING

Please ensure the slide is attached towards the front of the swing set frame. This is to avoid the risk of entrapment for young children.



Warranty Information

This product has been manufactured under the highest standards of quality and workmanship. We warrant to the original consumer purchaser that all aspects of this product will be free of defects in material and workmanship for one year from the date of purchase. A replacement for any defective part will be supplied free of charge for installation by the consumer. Defects or damage caused by the use of other than genuine parts are not covered by this warranty. This warranty shall be effective from the date of purchase as shown in the purchaser receipt.

This warranty is valid for the original consumer purchaser only and excludes industrial, commercial or business use of the product, product damage due to shipment or failure which results from alteration, product abuse, or product misuse, whether performed by a contractor , service company , or consumer. We will not be responsible for labor charges and/or damage incurred in installation, repair or replacement nor for incidental or consequential damage.