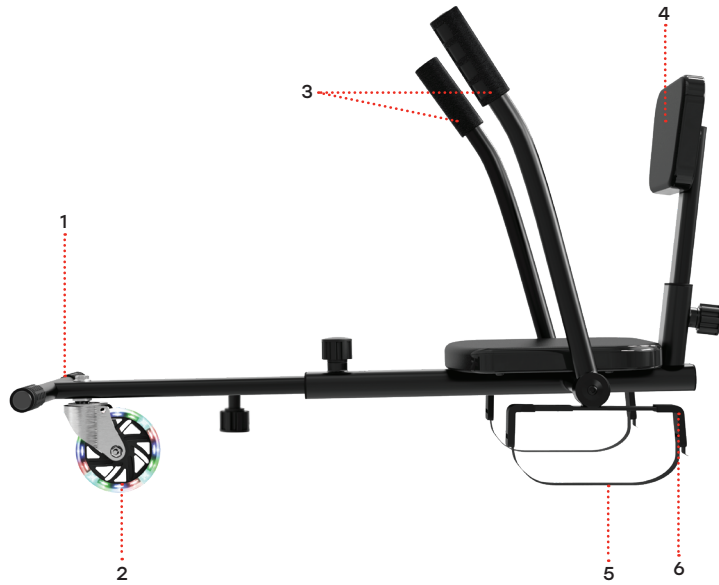


## Whats in the Box

1. Foot Rest
2. Front Wheel
3. Handles
4. Back Rest
5. Velcro Strap
6. Adjustable Bracket

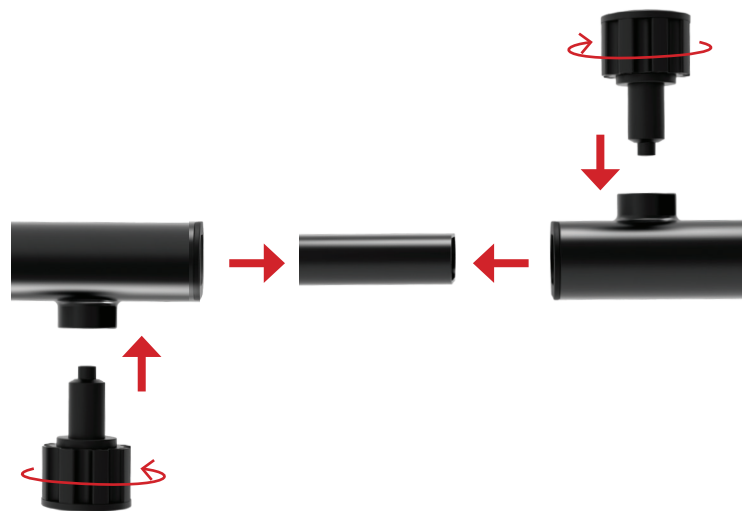


## Specs & Features

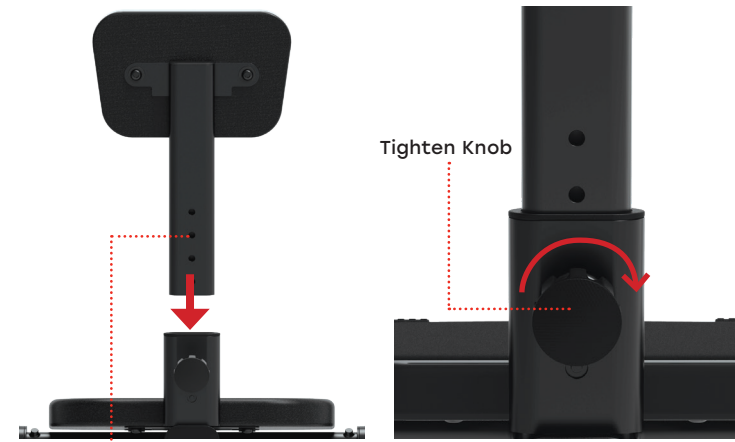
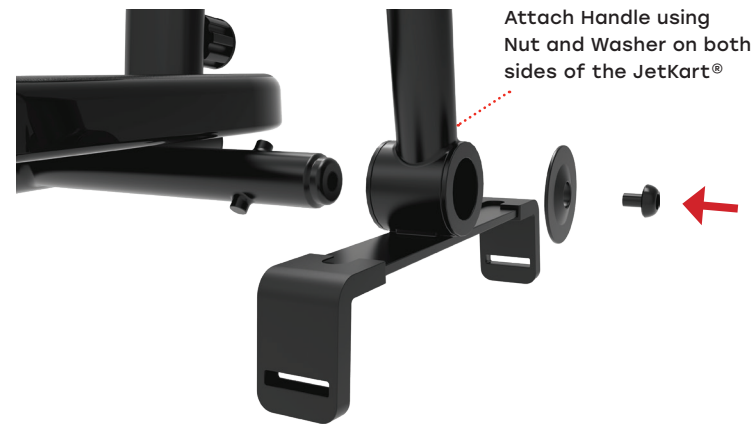
- Weight Limit: 250 lb
- Product Weight: 11.95 lb
- Recommended Age: 13+
- Wheel Size: 4"
- Frame: Aluminum Alloy
- Dimensions: 46.5" (L) x 21.75" (W) x 14.5" (H)

## 1. Get Started

### 1.1 Assembly

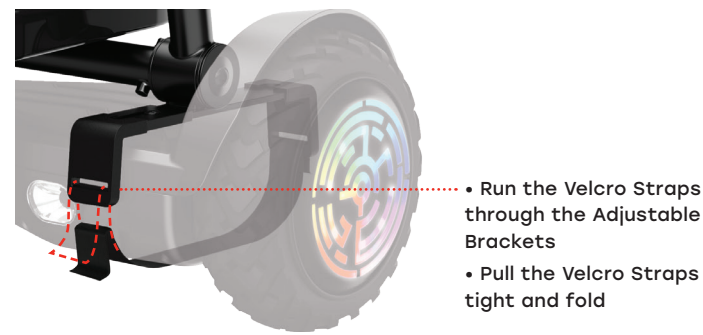
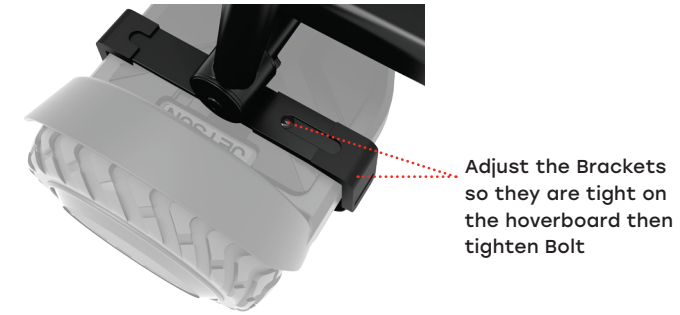
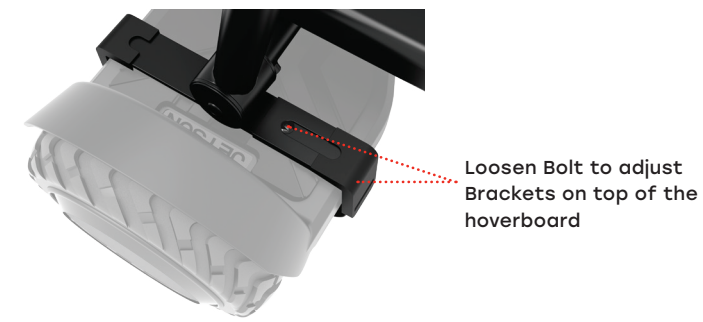
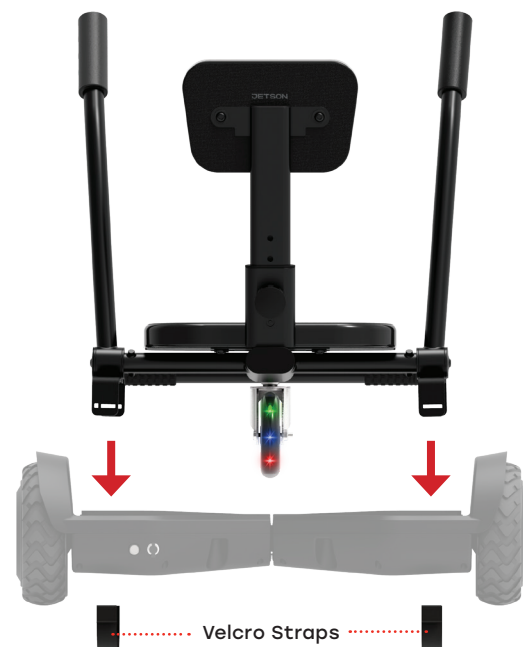


Adjust to preferred length and tighten knob



Adjust to preferred height.

### 1.2 Attaching the JetKart®



## 2. Make Moves

### 2.1 Getting on the JetKart®



1. Place the JetKart® on a flat surface with the hoverboard turned off.
2. Carefully take a seat and place your feet on the Foot Rest.
3. Make sure the hoverboard is leveled.
4. Now it's time to turn on your hoverboard.

**Note:** If the hoverboard is not leveled when you turn it on, the JetKart® will go forward or backward immediately.

### 2.2 Riding the JetKart®



**Note:** Tighten all screws and locking nuts before each ride to ensure they are tight.

Please Note: Images may not reflect exact appearance of actual product.

## Care & Maintenance

### CLEANING THE JETKART®

To clean the JetKart®, carefully wipe with a damp cloth, then dry with a dry cloth. Do not use water to clean the JetKart®, this may damage the frame or seat.

### STORAGE

- Store the JetKart® indoors, in a dry place.
- To protect against dust, cover the JetKart®.

### FEW MUST-DO'S

- Keep away from fire and excessive heat.
- Avoid intense physical shock, severe vibration, or impact.
- Please ride the JetKart® on a smooth, flat surface.
- Protect from water or moisture.
- Contact Jetson Customer Support if there are any issues with the JetKart®

Hoverboard is not included.



**Remember to be safe and most importantly, have fun!**

## Safety Warnings

- For your safety, please read the user manual and safety warnings carefully, and make sure you understand and accept all the safety instructions. The user will be responsible for any loss or damage caused by improper use.
- Children, the elderly, pregnant women, and those with heart conditions should not use this product.
- The rider should not exceed 250 lb
- Do not ride at night.
- Do not use near motor vehicles.
- Do not ride after consuming alcohol, drugs, or while intoxicated.
- Do not ride this product if you have had any head, back, or neck ailments, or prior surgeries to those areas.
- Persons with any mental or physical conditions that may make them susceptible to injury or impair their dexterity or mental capabilities should recognize, understand, and perform all of the safety instructions and be able to assume the hazards inherent in using this product.
- Do not carry items when riding.
- Always wear shoes, a helmet, and appropriate safety gear.
- Prior to each ride, inspect each part of the product to ensure it has been maintained correctly and is functioning properly.
- Tighten all screws and locking nuts before each ride to ensure they are tight.
- Always give way to pedestrians.
- Always comply with local traffic laws and regulations.
- Be alert to things in front and far away from you.
- Make sure your feet are always placed securely on the deck.
- The product cannot be ridden by more than one person.
- When you ride this product along with other riders, always keep a safe distance to avoid a collision.
- When turning, be sure to maintain your balance.
- Do not allow distractions when riding, such as answering the phone or engaging in any other activities.
- Avoid riding in the rain or on smooth surfaces such as snow or ice.
- Do not ride on roads with obstacles (such as litter, small stones, etc.).
- Avoid riding in narrow spaces or on steep slopes.
- Avoid riding around flammable gas, steam, liquid, or dust that could cause fire.
- Never operate this product barefooted and keep shoelaces tied.
- Riding with improperly adjusted brakes is dangerous and can result in serious injury or death.
- Applying brakes too hard or too suddenly can lock up a wheel, which could cause you to lose control and fall. Sudden or excessive application of the brake may result in injury or death.
- Do not ride without proper training. Do not ride at high speeds, on uneven terrain, or on slopes. Do not perform stunts or turn abruptly.
- The area that this product is to be operated should be safe and suitable for safe operation.
- Check whether all safety labels are in place and understood before riding.
- The owner shall allow the use and operation of the unit after a demonstration that such operators can understand and operate all components of the unit before use.
- Operators shall adhere to all of the manufacturer's recommendations and instructions, as well as comply with all laws and ordinances.
- Keep your fingers and other body parts away from all other moving components when operating the product. Keep your hands on the handles at all times.
- Make sure all screws are tightened, and all clamps and locks are properly secured before riding.
- Only ride the product with adequate daylight conditions for visibility.
- We encourage you to highlight the product, for visibility, by using lighting, reflectors, and signal flags on flexible poles.
- Prolonged exposure to UV rays, rain and the elements may damage the enclosure materials, store indoors when not in use.

### CALIFORNIA PROPOSITION 65

**⚠ WARNING:** This product can expose you to a chemical such as Cadmium that is known to the State of California to cause cancer or birth defects or other reproductive harm. For more information go to [www.p65warnings.ca.gov/product](http://www.p65warnings.ca.gov/product)

### MODIFICATIONS

Do not attempt to disassemble, modify, repair, or replace the unit or any components of the unit without instruction from Jetson Customer Support. This will void any warranty, and can lead to malfunctions which may cause injury.

### ADDITIONAL OPERATION CAUTIONS

Do not lift the product off the ground while it is on and the wheels are in motion. This can result in freely spinning wheels, which may cause injury to yourself or others nearby. Do not jump on or off the product, and do not jump while using it. Always keep your feet firmly planted on the foot rest while in operation. Always check the battery charge before using.

# JETSON

## JetKart®

### A guide for your ride.

## Enjoying the ride?

Leave a review on [ridejetson.com/reviews](http://ridejetson.com/reviews) or share your photos with us online using the #RideJetson hashtag!

## Questions? Let us know.

US | Canada 1-(888) 976-9904  
UK +44 (0)33 0838 2551  
Spain/Portugal +34 952 179 479

Hours of Operation: 7 Days a Week, 10am-6pm  
[help@ridejetson.com](mailto:help@ridejetson.com)

Jetson Electric  
1 Rewe St.  
Brooklyn, NY 11211  
[www.ridejetson.com](http://www.ridejetson.com)



Follow us @ridejetson  
#MakeMoves

