



INSTRUCTION MANUAL

The Captain

Model FP0050

ATTENTION!!
WHEN YOU SEE A "▲ WARNING!" BE SURE TO HEED THE MESSAGE!
THE INFORMATION CONTAINED IN THESE MESSAGES
CAN SAVE YOUR LIFE!!

PLEASE NOTE THAT ▲ WARNING! statements have been placed throughout this Instruction Manual. These statements point out important safety information and instructions, which, if not followed could endanger the personal safety and/or property of the operator. It is imperative that the operator of this product, or any other product(s) read and follow all the instructions and warnings contained in this Manual prior to attempting to use this product(s), or any other product(s). Failure to comply with these instructions and/or warnings may result in serious personal injury or death!



This instruction manual complies with the ASTM standard F2123 - Standard Practice for Treestand Instructions and F2337 - Standard Test Method for Treestand Fall Arrest System.

PO Box 382 • Windom, MN 56101
(800) 268-5077 • (507) 831-4350

www.BigGameTreestands.com

January 2018. Published by BGHA Inc., Windom, Minnesota.
© 2018 BGHA Inc. All rights reserved.

**ATTENTION!! WHEN YOU SEE A "⚠ WARNING!" BE SURE TO HEED THE MESSAGE!
THE INFORMATION CONTAINED IN THESE MESSAGES CAN SAVE YOUR LIFE!!**

USAGE INSTRUCTIONS & WARNINGS

FP0050 • THE CAPTAIN

MAX. OCCUPANCY - One (1)

CARRYING CAPACITY (USER AND EQUIPMENT) 300 lbs/136 kg

⚠ WARNING! This Big Game® Treestands product carries strict weight restrictions. DO NOT use this product if you exceed these total weight limitations. Please note that these weight limitations include the user(s) and their equipment. Failure to follow these instructions may result in serious injury or death!

A "TREESTAND SAFETY: IT'S UP TO YOU" dvd has been included. Please view it in its entirety prior to using this product!

Thank you for your purchase of this quality Big Game® Treestands product. To ensure your personal safety, please take a moment to carefully read this Instruction Manual in its entirety before attempting to set-up, install, remove and/or otherwise use this Big Game® Treestands product(s). Failure to follow these instructions may result in serious injury or death!

Shall you have any questions about the installation, removal, and/or use of this product, or any other Big Game® Treestands product(s) do not hesitate to call one of our customer service representatives toll free at (800) 268-5077 or visit us online at www.BigGameTreestands.com. Our customer service representatives will answer any questions you may have about any of the complete line of Big Game® Treestands products.

If you find damaged or missing parts in a newly purchased product, please return this product to the retailer for replacement.

PLEASE NOTE THAT WARNING! statements have been placed throughout this Instruction Manual. These statements point out important safety information and instructions, which, if not followed could endanger the personal safety and/or property of the operator(s). It is imperative that the operator(s) of this product, or any other Big Game® Treestands product(s) read and follow all the instructions and warnings contained in this Instruction Manual prior to attempting to use this Big Game® Treestands product(s), or any other Big Game® Treestands product(s). Failure to comply with these instructions and/or warnings may result in serious personal injury or death!

⚠ WARNING! Failure to read and strictly comply with the instructions contained in this Instruction Manual may result in serious injury or death!

⚠ WARNING! Falls from a treestand can occur anytime after leaving the ground. These falls could result in either serious injury or death! For your personal safety, please take a moment to carefully read this product instruction manual in its entirety before attempting to assemble, set-up, install, remove, and/or otherwise use this Big Game® Treestands product(s). At least annually, review the contents of this instruction manual and watch the "TREESTAND SAFETY: IT'S UP TO YOU" dvd. Additionally, keep these instructions for the entire duration that you own this Big Game® Treestands product(s). Failure to follow these instructions may result in serious injury or death!

⚠ WARNING! A "TREESTAND SAFETY: IT'S UP TO YOU" dvd has been included with this treestand. Please view it in its entirety prior to using this or any other Big Game® Treestands product(s). Failure to follow these instructions may result in serious injury or death!

⚠ WARNING! Prior to each hunt, you must inform someone of your hunting location, including the specific location of your treestand and the expected duration of your hunt. Failure to follow these instructions may result in serious injury or death!

⚠ WARNING! The safe use and operation of this Big Game® Treestands product is the sole responsibility of the user. It is also the sole responsibility of the owner to provide any person(s) who borrow or purchase this product(s) from them with these complete instructions. Failure to follow these instructions may result in serious injury or death! Additionally, failure to follow these instructions may subject you to personal liability penalties as determined by the U.S. Judicial system.

⚠ WARNING! Prior to each hunt, make sure that you have a signaling device (e.g., mobile phone, radio, whistle, signal flare or Personal Locator Device [PLD]) in your possession and in an operable condition. This device must be within easy access shall you experience the need to contact emergency assistance. Failure to follow these instructions may result in serious injury or death!

⚠ WARNING! DO NOT remove, modify, and/or omit any portion or otherwise mechanically modify this Big Game® Treestands product(s) or its assemblies in any manner. Modification, misuse, and/or part substitution may result in serious injury or death! Never modify your stand in any way by making repairs, or altering, adding or attaching anything to it except if explicitly authorized in writing by Big Game® Treestands.

⚠ WARNING! ALWAYS inspect/check **ALL** expiration dates/tags on all straps (e.g., tree belt, tether/lanyard, etc.) and the full-body fall arrest harness and its components prior to each use. You must replace **ALL** straps and suspension seats **EVERY** year. Never use any strap(s) or full-body fall arrest harness that has expired and/or is showing any signs of damage and/or wear. Failure to follow these instructions may result in serious injury and death!

⚠ WARNING! Make certain all chains, cable straps, etc. are tightened per this Instruction Manual prior to use. All treestand bark biters must be in contact with the tree before you step onto the stand. The correct adjustment and tightening of attachment hardware (as outlined in each individual instructions) is critical to the stable installation of the ladderstand(s). Additionally, you **MUST** be wearing your Fall Arrest System (FAS) which includes a full-body fall arrest harness, tree belt, lanyard/tether, suspension relief device and climbing belt/linesmen belt (as applicable) in accordance with the Instructions contained in this Instruction Manual. Failure to follow these instructions may result in serious injury or death!

⚠ WARNING! This product(s) is designed for adult use only. No one under the age of 16 shall attempt to use this or any other product(s) without direct adult supervision. Failure to follow these instructions may result in serious injury or death!

⚠ WARNING! Prior to attempting to use this or any other Big Game® Treestands product(s) you must take a moment and become familiar with its assembly, setup, installation, use and removal. You must practice installing, setting-up and using your full-body fall arrest harness and its components (i.e., lanyard/tether, tree belt, suspension relief device, climbing belt/lineman's belt [as applicable]) at ground-level prior to attempting to use it at heights above ground-level. Once you have become thoroughly knowledgeable and comfortable with this product(s) assembly, setup, installation, use and removal at ground-level, you are now ready to use it at heights above ground-level. Failure to follow these instructions may result in serious injury or death!

**ATTENTION!! WHEN YOU SEE A “⚠️ WARNING!” BE SURE TO HEED THE MESSAGE!
THE INFORMATION CONTAINED IN THESE MESSAGES CAN SAVE YOUR LIFE!!**

- ⚠️ **WARNING!** Several Big Game® treestands are equipped with a footrest, armrests, backrests and/or shooting rail. Neither the footrest, armrests, backrests nor the shooting rail have been designed to support the users weight. Under no circumstances shall you place any more than fifteen (15) pounds (7 kg) of weight on these structures. Doing so will put the user in serious risk of injury or death. Failure to follow these instructions may result in serious injury or death!
- ⚠️ **WARNING!** You must wear a Fall Arrest System (FAS) comprising of a full-body fall arrest harness, lanyard/tether, tree belt, suspension relief device and climbing belt/lineman's belt (as applicable) at all times after leaving the ground. You must stay connected at all times after leaving the ground while using fixed position treestands. Single safety belts and chest harnesses are no longer preferred and shall never be used. If you are not wearing a full-body fall arrest harness (that is connected to the tree) that is protecting you from a fall, do not leave the ground. Failure to follow these instructions may result in serious injury or death!
- ⚠️ **WARNING!** Never attempt to climb up or down with a weapon and/or gear in your possession. **ALWAYS** unload your weapon and pull it up to hunting height using a tether or pull up rope. **ALWAYS** lower your unloaded weapon down to the ground prior (when raising or lowering firearms, the chamber must be open and the barrel pointing toward the ground) to attempting to climb up or climb down. Use this same method when raising or lowering all other gear. Failure to follow these instructions may result in serious injury or death!
- ⚠️ **WARNING!** Prior to each use thoroughly inspect the treestand (and its components) and all safety devices each time before use for signs of wear, rot, corrosion, cracks, deterioration and/or any other type of damage(s). Make certain that your treestand is tight and secure prior to use. Protect this product(s) from extended exposure to direct sunlight, excessive heat or freezing temperatures by storing inside when not in use. Do not use this or any other product(s) if it shows evidence of wear, rot, corrosion, cracks, deterioration and/or any other type of damage(s). Failure to follow these instructions may result in serious injury or death!
- ⚠️ **WARNING! DO NOT** use this or any other Big Game® Treestands product(s) if you have a history of heart problems, back problems, impaired vision, joints that lock-up, spinal fusions, equilibrium problems, high blood pressure, are not well-rested and/or any other physical impairment that may limit your ability to use and/or operate this product(s) in the safe manner outlined in this Instruction Manual. Additionally, do not use this or any other Big Game® Treestands product(s) if you are currently taking medication (including prescription) and/or using and/or consuming any substance, including alcohol, that may limit your ability to use this Big Game® Treestands product(s) as outlined and described in the Instruction Manual. Never use a treestand when feeling ill, nauseous or dizzy. Failure to follow these instructions may result in serious injury or death!
- ⚠️ **WARNING! DO NOT** attempt to make adjustments to this product while in the treestand. All adjustments must be made with the entire treestand on the ground. Failure to follow these instructions may result in serious injury or death!
- ⚠️ **WARNING! DO NOT** leave your Big Game® Treestands product(s) installed for more than two weeks (14 days). Any number of factors can jeopardize its installation and integrity. These include, but are not limited to, weather or other environmental factors that can negatively affect its performance. Animals can also cause damage to your Big Game® Treestands product(s) that can negatively affect its performance and your safety. Additionally, factors such as tree growth can stress and damage supporting straps, chains and/or buckles. Failure to follow these instructions may result in serious injury or death!
- ⚠️ **WARNING! ALWAYS** inspect the treestand and all safety devices prior to each use. **DO NOT** use product(s) if it shows signs of wear, damage, deterioration, or vandalism. Factors such as tree growth, vandals, weather and animals may affect the performance of an unattended treestand. Failure to follow these instructions may result in serious injury or death!
- ⚠️ **WARNING! DO NOT** modify, fix/repair, alter, bend, cut, weld, drill, or heat the treestand in any way. Additionally, do not attach anything to your treestand without explicit authorized and written instructions from the manufacturer. Failure to follow these instructions may result in serious injury or death!
- ⚠️ **WARNING!** Climbing aids (e.g. stick ladders, sectional ladders, steps, etc.) must extend above the treestand seating platform (at least 24 inches) to allow the user to step down onto the platform. Never step up to your stand from a climbing aid. Failure to follow these instructions may result in serious injury or death!
- ⚠️ **WARNING!** Strict weight limitations have been set for each product(s) to ensure your personal safety. Note the weight limitations and maximum occupancy for your Big Game® Treestands product(s). This weight limit includes the user(s) and equipment. **NEVER EXCEED THESE WEIGHT LIMITATIONS!** Failure to follow these instructions may result in serious injury or death!
- ⚠️ **WARNING! DO NOT** attempt to use this or any other Big Game® Treestands product(s) when ice, snow, and/or freezing rain has deposited or formed on any portion of the tree or stand you intend to climb. Do not attempt to use this or any other Big Game® Treestands product(s) when thunderstorms are threatening and/or present within five (5) miles (8 km). Do not attempt to use this or any other product(s) when any other adverse weather condition(s) presents itself. These include, but are not limited to, weather conditions which have the potential for producing winds, lightning, rain, snow, sleet and/or any other atmospheric condition which may limit the user's ability to operate this Big Game® Treestands product(s) in a safe manner as described in this Instruction Manual. Shall inclement weather conditions arise during your use of this Big Game® Treestands product(s), return to the ground immediately. Failure to follow these instructions may result in serious injury or death!
- ⚠️ **WARNING! DO NOT** jump or bounce on the treestand platform (or any of the treestands components) and/or the seat to engage the stand to the tree. Failure to follow these instructions may result in serious injury or death!
- ⚠️ **WARNING!** To reduce your risk of injury or death from falls you must wear a lineman style (climbing belt) full-body fall arrest harness that meets or exceeds industry standards recognized by TMA. Always remain harnessed to the tree from the moment you leave the ground until you return to the ground. The lineman's (climbing belt) style full-body fall arrest harness must be worn in compliance with the manufacturer's instructions. If you do not or cannot use a lineman's style (climbing belt) full-body fall arrest harness that properly fits you must, under no condition, attempt to use this or any Big Game® Treestands product(s). To purchase an additional lineman's (climbing belt) style full-body fall arrest harness or to find out more information regarding full-body fall arrest harnesses, please contact us at (800) 268-5077. Failure to follow these instructions may result in serious injury or death!
- ⚠️ **WARNING! BEFORE** each use, make sure all nuts and bolts are secure. **CHECK** all hardware and webbing prior to every use to make sure that no damage has occurred to hardware and that webbing (as applicable) is not cut or frayed. Keep webbing from coming into contact with any sharp edges. **DO NOT USE THIS PRODUCT IF ANY DAMAGE IS SUSPECTED.** Failure to follow these instructions may result in serious injury or death!

READ THIS MANUAL IN ITS ENTIRETY PRIOR TO USING THIS PRODUCT.

**ATTENTION!! WHEN YOU SEE A “⚠️ WARNING!” BE SURE TO HEED THE MESSAGE!
THE INFORMATION CONTAINED IN THESE MESSAGES CAN SAVE YOUR LIFE!!**

⚠️ WARNING! REPLACE attachment belts every three years and when not in use store in a dry, cool, safe place away from sunlight. Never store a treestand or any of its components outdoors when not in use. Failure to follow these instructions may result in serious injury or death!

⚠️ WARNING! ALWAYS wear the appropriate foot wear when using a treestand. A good nonslip safety boot is important for your safety. Be especially careful that boot laces do not get hooked on the treestand (or any of its components) or climbing aids (tuck shoelaces into boot before climbing). Failure to follow these instructions may result in serious injury or death!

⚠️ WARNING! DO NOT use this product, or attempt to use a treestand, on a dead, leaning, diseased, loose barked tree (bark that flakes or falls off), irregular shaped trees or utility poles. **DO NOT** use this product on any tree that does not allow for a level standing platform. Failure to follow these instructions may result in serious injury or death!

⚠️ WARNING! NEVER hunt out of a treestand at heights at which you are not completely comfortable. Depending upon the tree and hunting conditions, choose the minimum hunting height that allows for safe, effective hunting. Failure to follow these instructions may result in serious injury or death!

⚠️ WARNING! DO NOT use this, or any other product(s) to climb utility poles, telephone poles, structural columns or any other man-made structures. Never use this or any other Big Game® Treestands product(s) around power generation (e.g., transformers, generators, substations, etc.) and/or power transmission equipment. Never use a treestand on a dead, leaning, diseased or loose barked tree. **NEVER USE A TREE BRANCH, OR ANY PORTION OF A TREE, TO SUPPORT ANY PORTION OF YOUR WEIGHT OR AS A HAND HOLD.** Failure to follow these instructions may result in serious injury or death!

⚠️ WARNING! DO NOT stand on the treestand seat. Failure to follow these instructions may result in serious injury or death!

⚠️ WARNING! These Big Game® Treestands product(s) were designed for installation on trees with a minimum diameter of nine (9) inches (23 cm) and a maximum diameter of (20) inches (51 cm) at treestand installation height (i.e., seat height). **DO NOT** use your Big Game® Treestands product(s) on trees with trunk diameters that do not meet this minimum/maximum diameter requirement. Failure to follow these instructions may result in serious injury or death!

⚠️ WARNING! A full-body fall arrest harness that meets or exceeds industry standards recognized by TMA with a lineman's/climbing belt must be worn at all times while installing or removing any hang-on style treestands or climbing aids (i.e., ladders, sticks, steps, etc.). Failure to follow these instructions may result in serious injury or death!

⚠️ WARNING! When using a lineman's belt/climbing belt to ascend the tree, the full-body fall arrest harness tree belt and lanyard must be attached to the tree trunk before stepping down on the treestand. Failure to follow these instructions may result in serious injury or death!

⚠️ WARNING! ALWAYS maintain three-point contact when climbing up/down a tree when using climbing aids and/or ladderstands. Proper three-point contact means having either two feet with one hand or one foot with two hands on the step portion of the climbing aids at all times when climbing up or down. Failure to follow these instructions may result in serious injury or death!

⚠️ WARNING! ALWAYS lean forward as you climb and attach your full-body fall arrest harness tree belt to the tree trunk before securing the platform to the tree and stepping onto the platform. Failure to follow these instructions may result in serious injury or death!

Shall you have any questions about the assembly, installation or use of this product, or any other product, please do not hesitate to call one of our customer service representatives at (800) 268-5077 or visit www.BigGameTreestands.com for more details, and they will answer all questions you may have about any of the complete line of products. Please have the batch/serial number ready (find your batch number on a riveted metal tag affixed to your product) before calling to better assist you.

OPTIONAL ACCESSORIES

Any number of innovative accessories are available and sold separately to compliment your new Big Game® Treestands product(s). Only genuine authorized accessories shall be used with Big Game® Treestands product(s).

STORAGE AND CARE OF YOUR STAND

Your new treestand is factory finished with a state-of-the-art powder coating that guarantees years of trouble-free service. It is recommended that you store your treestand out of direct sunlight and out of any other harsh environmental condition(s) that may adversely affect its performance.

ATTENTION!! WHEN YOU SEE A "⚠ WARNING!" BE SURE TO HEED THE MESSAGE! THE INFORMATION CONTAINED IN THESE MESSAGES CAN SAVE YOUR LIFE!!

PARTS LIST

Part #	Part Description	Qty
UP10-0001	Standing Platform	1
UP18-0118	Seat Assembly	1
UP18-0119	Seat Bar	1
UP18-0120	Rear Frame Support	1
UP10-0005	Plastic Coated Cable	2
UP15-0214	Strap Assembly	1
UP14-0209	Full Body Harness A130.CB	1
UP12-0191	Treestand Safety DVD	1
	Instruction Manual	1

Check to make sure you have all the required parts and hardware. If you find damaged or missing parts in a newly purchased product, please return this product to the retailer for replacement.

SPECS

Minimum/Maximum Tree Diameter

9" (23 cm) min. and 20" (51 cm) max. at installation height (i.e., seating platform height)

Maximum Occupancy

One (1)

Max. Weight Capacity (User and Equipment)







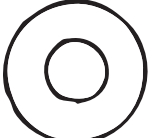
300 lbs/136 kg

TOOLS REQUIRED:

Adjustable Wrench - Qty 2 (Not Included)



HARDWARE LIST

Part Number	Hardware Description	Qty
UP77-0038	[A] 5/16" x 1 1/2" Hex Bolt	2
		
UP77-0039	[B] 5/16" x 1 3/4" Hex Bolt	4
		
UP77-0048	[C] 5/16" x 3" Hex Bolt	2
		
UP77-0018	[D] 1/4" x 1 1/4" Hex Bolt	4
		
UP77-0001	1/4" Nylock Nut	4
		
UP77-0029	5/16" Nylock Nut	8
		
UP77-0030	Nylon Washer	2
		

READ THIS MANUAL IN ITS ENTIRETY PRIOR TO USING THIS PRODUCT.

This instruction manual complies with the ASTM standard F2123 - Standard Practice for Treestand Instructions and F2337 - Standard Test Method for Treestand Fall Arrest System.

ATTENTION!! WHEN YOU SEE A "⚠ WARNING!" BE SURE TO HEED THE MESSAGE! THE INFORMATION CONTAINED IN THESE MESSAGES CAN SAVE YOUR LIFE!!

⚠ WARNING! Read the **WEIGHT RESTRICTION WARNING, USAGE INSTRUCTIONS & WARNINGS** and **FULL-BODY FALL ARREST HARNESS USAGE INSTRUCTIONS & WARNINGS** on pages 2-4 and 10-13 prior to assembly of this product! Failure to follow the instructions on this page and pages 2-4 and 10-13 may result in serious injury or death!

⚠ WARNING! **DO NOT** over tighten the hardware. Over tightening can lead to structural damage and may negatively affect the performance of your stand. Failure to follow these instructions may result in serious injury or death!

Refer to pages 8-9, **Field Installation-Fixed Positions**, for installation instructions.

NOTE: Steps 1-6 require you to temporarily finger tighten nuts to ensure proper alignment.

STEP 1. Place the **rear frame support** between the insertion joints in the **standing platform**. Secure using (2) 5/16" x 1 3/4" hex bolts [B] and (2) 5/16" nylock nuts.

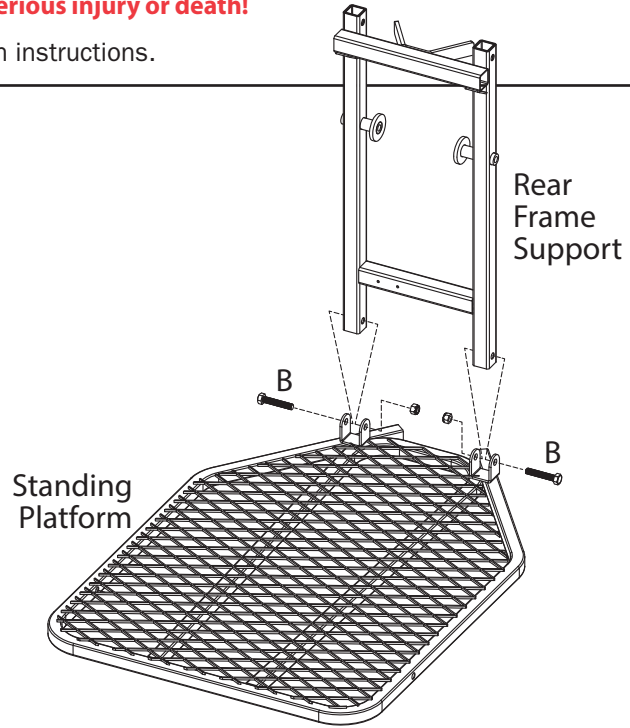


FIG. 1

STEP 2. Using (2) 5/16" x 3" hex bolts [C] and (2) 5/16" nylock nuts connect one end of each **plastic coated cable** to the **rear frame support**.

NOTE: For proper assembly the 5/16" x 3" hex bolts should be installed from the inside of the rear frame support to the outside.

STEP 3. Connect the lower ends of **plastic coated cables** to pre-drilled holes in **standing platform**. Secure using (2) 5/16" x 1 1/2" hex bolts [A] and (2) 5/16" nylock nuts.

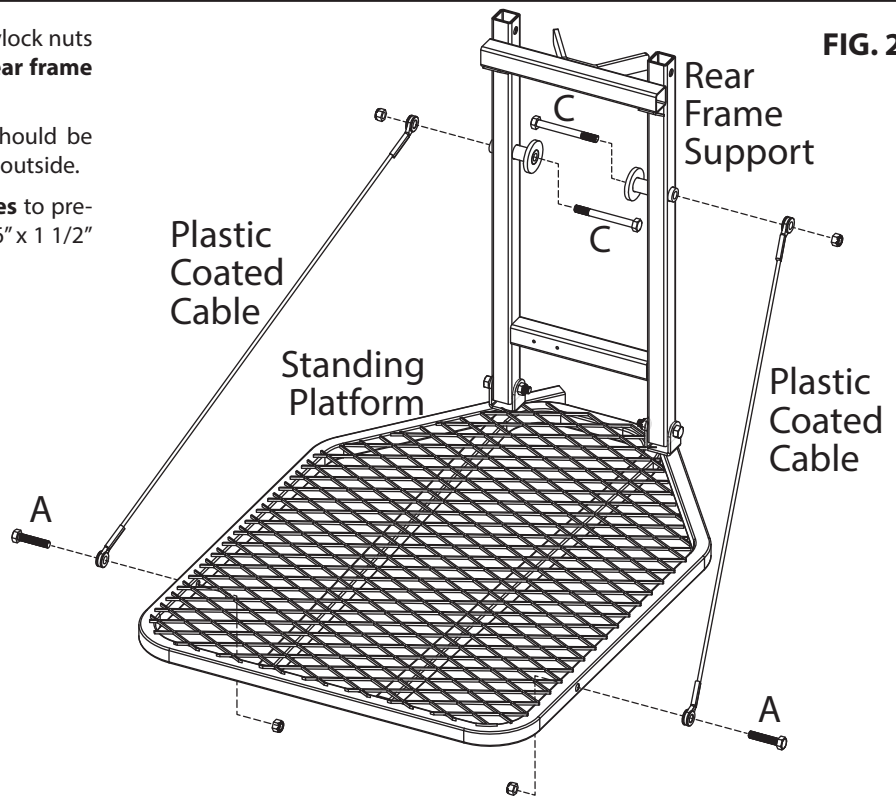
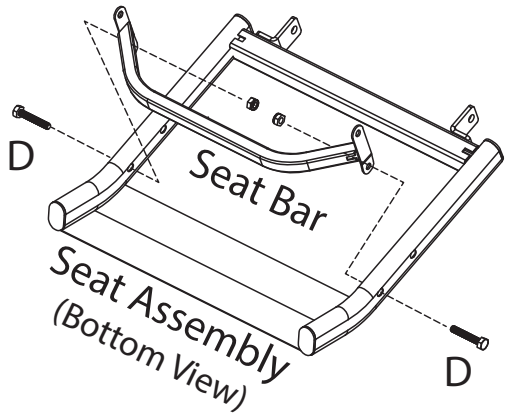


FIG. 2

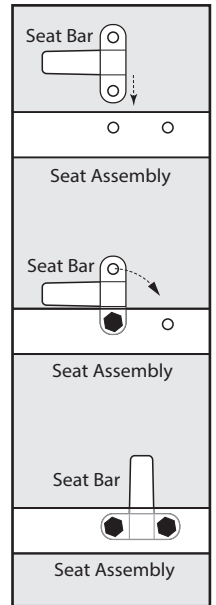
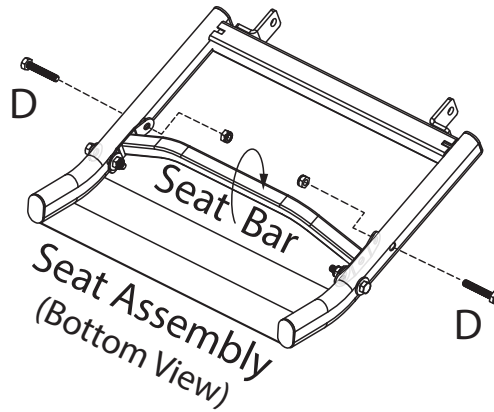
ATTENTION!! WHEN YOU SEE A "⚠ WARNING!" BE SURE TO HEED THE MESSAGE! THE INFORMATION CONTAINED IN THESE MESSAGES CAN SAVE YOUR LIFE!!

STEP 4. Insert the **seat bar** into the bottom of the **seat assembly** aligning the front holes. Secure using (2) 1/4" x 1 1/4" hex bolts [D] and (2) nylock nuts. It is easier to insert the **seat bars** if the tabs are perpendicular to the **seat assembly**.



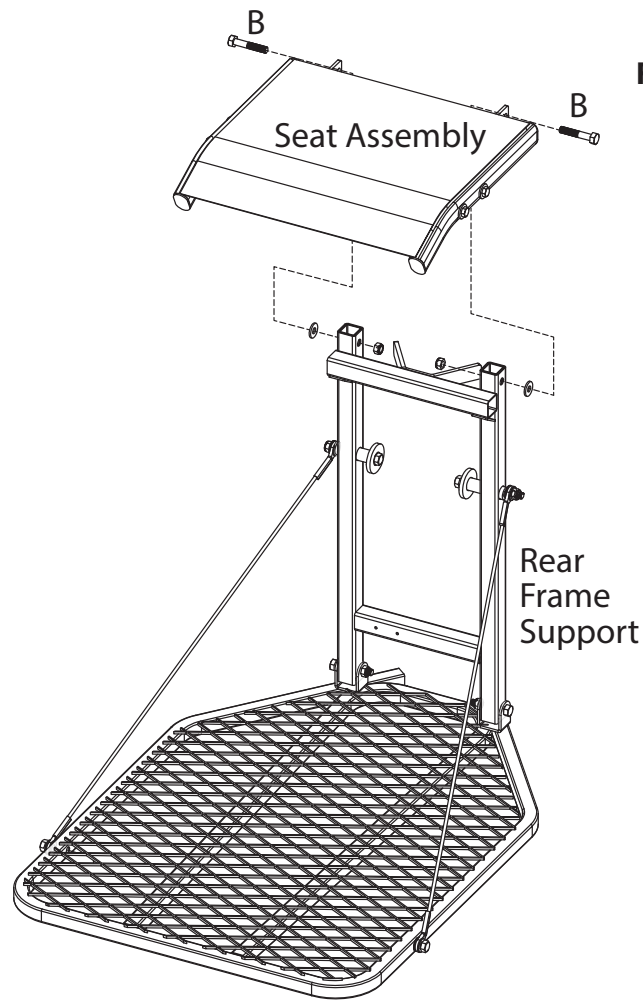
STEP 5. Rotate the **seat bar** aligning remaining holes and secure using (2) 1/4" x 1 1/4" hex bolts [D] and (2) nylock nuts.

FIG. 3



STEP 6. Attach the **seat assembly** to the **rear frame support** using (2) 5/16" x 1 3/4" hex bolts [B], (2) nylon washers and (2) 5/16" nylock nuts.

FIG. 4

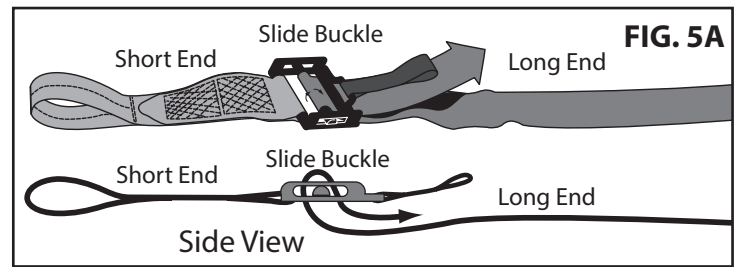
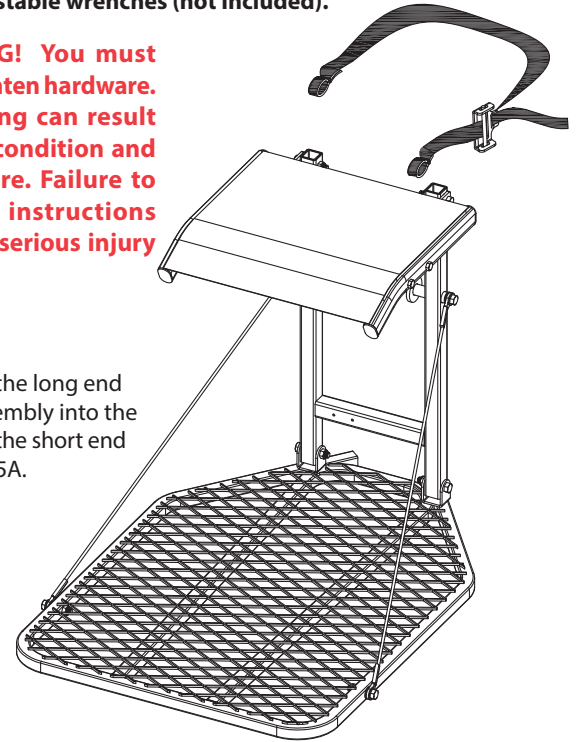


STEP 7. Securely tighten every nut and bolt at this time using two adjustable wrenches (not included).

FIG. 5

⚠ WARNING! You must never overtighten hardware. Overtightening can result in an unsafe condition and product failure. Failure to follow these instructions may result in serious injury or death!

Step 8. Thread the long end of the strap assembly into the slide buckle on the short end as shown in Fig 5A.



READ THIS MANUAL IN ITS ENTIRETY PRIOR TO USING THIS PRODUCT.

ATTENTION!! WHEN YOU SEE A “⚠️ WARNING!” BE SURE TO HEED THE MESSAGE! THE INFORMATION CONTAINED IN THESE MESSAGES CAN SAVE YOUR LIFE!!

FIELD INSTALLATION - FIXED POSITION TREESTANDS

Prior to using this stand you must also read and follow all Safety Warnings from pages 2-4 of this manual.

⚠️ WARNING! Failure to read and strictly comply with the instructions contained here may result in serious injury or death!

Read the full-body fall arrest harness section (pages 10-13) carefully and follow all of the instructions! Your full-body fall arrest harness and its component (i.e., Lanyard/tether, tree belt, climbing belt (lineman's belt as applicable), suspension relief device) is designed for a maximum capacity (user and equipment) of 300 pounds (136 KG) (Model A130.Cb). Additionally, your full-body fall arrest harness (and its components) must be replaced after three (3) years of service! Please contact us for full-body fall arrest harness replacement procedure **SHALL** you experience a fall or **SHALL** it exceed the three (3) year service period.

⚠️ WARNING! Never climb, install or use a treestand with a single safety belt or chest harness. These devices have been deemed unsafe for use in climbing apparatus applications and may endanger your personal safety. Use only a full-body fall arrest harness that meets or exceeds industry standards recognized by TMA. Failure to follow these instructions may result in serious injury or death!

⚠️ WARNING! Prior to attempting to use this or any other product(s) you must take a moment and become familiar with its assembly, setup, use, installation and removal. You must practice installing, setting-up, using and removal of this product(s) at ground-level prior to attempting to use it at heights above ground-level. Once you have become thoroughly knowledgeable and comfortable with this product(s) setup, installation, use and removal at ground-level, you are now ready to use it at heights above ground-level. Failure to follow these instructions may result in serious injury or death!

⚠️ WARNING! DO NOT leave your treestand installed for more than two weeks (14 continuous days). Any number of factors can jeopardize its installation. These include, but are not limited to, weather or other environmental factors that can negatively affect its performance. Animals can also cause damage to your treestand that can negatively affect its performance and your safety. Additionally, factors such as tree growth can stress and damage supporting straps and buckles. Failure to follow these instructions may result in serious injury or death!

⚠️ WARNING! NEVER ATTEMPT to step onto a treestand until all treestand contact points are secured tightly and firmly to the tree. **NEVER ATTEMPT** to step onto a treestand unless your full-body fall arrest harness is properly attached. Failure to follow these instructions may result in serious injury or death!

⚠️ WARNING! When installing your fixed position treestand, you must wear your full-body fall arrest harness and use the climbing belt at all times while installing or removing your fixed position treestand. The use of the climbing belt ensures your stable attachment to the tree until installation is complete. Failure to follow these instructions may result in serious injury or death!

⚠️ WARNING! When installing your treestand, never attempt to climb with your treestand in your possession. Always use a pull up rope to raise and lower the treestand during installation and removal. **NEVER ATTEMPT TO CLIMB WITH ANY HUNTING COMPONENT OR ACCESSORY IN HAND OR ON YOUR BACK.** Failure to follow these instructions may result in serious injury or death!

⚠️ WARNING! If you find that your treestand is unlevel, canted, angled awkwardly upward or downward, or in any configuration other than level, immediately climb down to ground-level and readjust your treestand as necessary to alleviate this awkward angle. Never attempt to hunt from an unlevel treestand. Additionally, never attempt to level your treestand at heights above the ground. Failure to follow these instructions may result in serious injury or death!

⚠️ WARNING! Read all assembly instructions, field assembly instructions and safety warnings prior to using these products! Failure to follow these instructions may result in serious injury or death!

⚠️ WARNING! These treestands were designed to be used on trees with a **MINIMUM DIAMETER OF 9 INCHES (23 CM) AND A MAXIMUM DIAMETER OF 20 INCHES (51 CM) AT TREESTAND INSTALLATION HEIGHT (I.E., SEATING PLATFORM HEIGHT).** **DO NOT** attempt to install on trees with smaller or larger diameters. Failure to follow these instructions may result in serious injury or death!

⚠️ WARNING! Never install, set-up, or climb to your treestand with a weapon. Use a pull-up rope to carefully raise your unloaded weapon after full-body fall arrest harness is secure and you are set in the stand!

⚠️ WARNING! When installing your climbing aids (i.e., climbing sticks, ladders, stacking steps, sectional ladders, etc.) they must extend 24" above the seating platform of your treestand. Failure to follow these instructions may result in serious injury or death.

⚠️ STOP NOW! It will be necessary to use the climbing belt with your full-body fall arrest harness while ascending the tree and attaching your treestand. As you climb it will be necessary to slide the climbing belt up the tree. Once you've reached the desired height and your treestand is properly secured to the tree, you will need to attach the permanent tree belt and secure tether strap as illustrated on page 12 of this Manual. **FAILURE TO WEAR YOUR FULL-BODY FALL ARREST HARNESS AT ALL TIMES WHILE USING THIS PRODUCT MAY RESULT IN SERIOUS INJURY OR DEATH!**

⚠️ Prior to setting up or using your fixed position stand, please take a moment to check for damage or wear to the cables, strap assembly, and hardware. It is necessary to replace these parts as normal maintenance whenever wear exists or straps every year, cables every 2 years and hardware every 3 years, whichever is sooner. Please do not attempt to use your stand if there is a problem or considerable wear to the cables, strap assemblies, or hardware!

⚠️ WARNING! Modification, misuse, and/or part substitution may result in serious injury or death! Never modify your stand in any way by making repairs, or altering, adding or attaching anything to it except if explicitly authorized in writing by Big Game®.

ATTENTION!! WHEN YOU SEE A "⚠ WARNING!" BE SURE TO HEED THE MESSAGE! THE INFORMATION CONTAINED IN THESE MESSAGES CAN SAVE YOUR LIFE!!

FIELD INSTALL INSTRUCTIONS (CONTINUED)

STEP 1. Select a straight, healthy tree, one devoid of dead branches or loose bark. **DO NOT** attempt to install this product on a tree that is not healthy.

⚠ WARNING! DO NOT attempt to install this product on a tree that is not straight, healthy and devoid of dead branches, limbs, vines or anything that might interfere with installation. **DO NOT** attempt to install this treestand on a tree that is leaning, diseased, crooked, has loose bark, or does not meet the minimum installation diameter of 9 inches (23 cm) and a maximum diameter of 20 inches (51 cm) at treestand installation height (i.e., seat height). Failure to follow these instructions may result in injury or death!

STEP 2. Fold treestand standing platform to the upright position and hold to desired mounting position against the tree (Fig. 1).

STEP 3. Adjust strap assembly by pulling slide buckle. Attach one looped end of the silent slide buckle strap around the strap receiver (Fig. 1).

STEP 4. Wrap the strap assembly around the tree and attach the other end around the other strap receiver (Fig. 2). Pull strap tight. (The standing platform must be in the upright position while doing the above steps.) **NOTE:** The strap **MUST NOT** be twisted when installed.

STEP 5. Gently lower standing platform to standing position; the treestand will then snug up to the tree to prevent any shifting (Fig. 3). **NOTE:** If stand does not ratchet tightly to tree following lowering the standing platform, you **MUST** repeat these steps until a firm, safe installation is achieved.

⚠ WARNING! Make sure that you are wearing a full-body fall arrest harness! Ensure that the tree belt is tightened around the tree and the full-body fall arrest harness is attached properly!

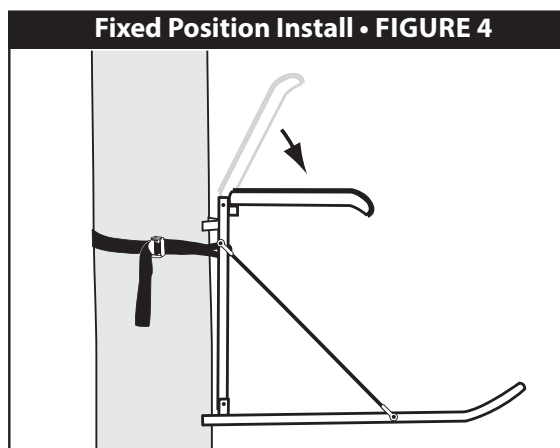
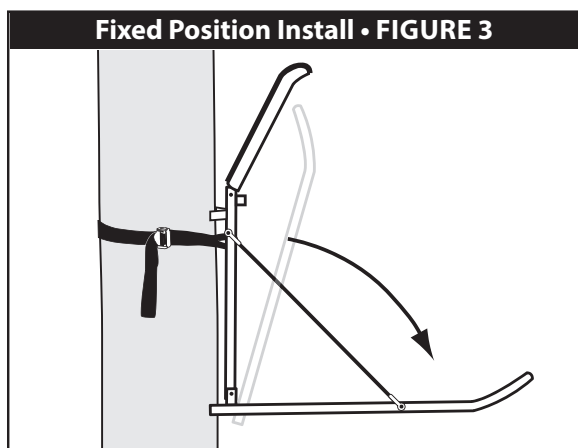
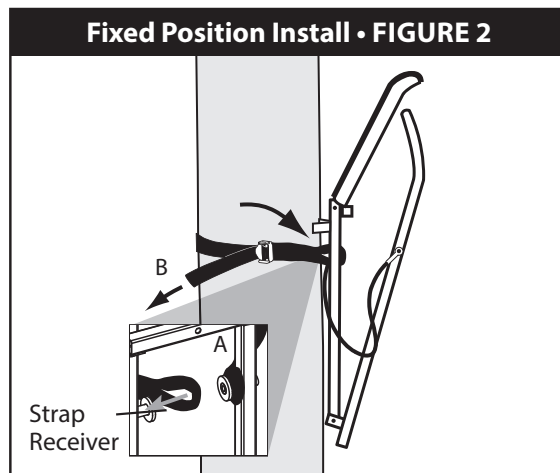
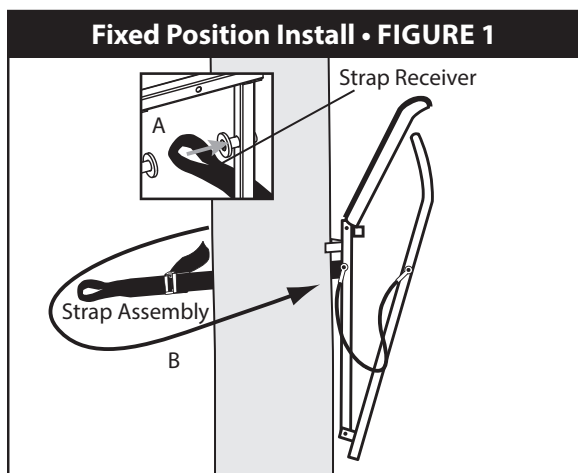
STEP 6. Before stepping onto the stand, be sure it is secured properly and is tight against the tree with all four contact points touching the tree. If the treestand is not firmly secured to the tree, with all contact points in contact with the tree, **DO NOT** attempt to step onto the treestand. Remove the stand and reattach it using Steps 1 through 4 until it is firmly secured to the tree as per these instructions.

⚠ WARNING! Failure to follow these instructions may result in serious injury or death!

⚠ WARNING! NEVER ATTEMPT to step onto a standing platform until all treestand contact points are secured tightly and firmly to the tree. **NEVER ATTEMPT** to step onto a standing platform unless your full-body fall arrest harness is properly attached. Failure to follow these instructions may result in serious injury or death!

STEP 7. Carefully step onto the standing platform to be sure you have a solid feel against the tree. The seat folds down for sitting or up for standing (Fig. 4).

STEP 8. Carefully pull up your unloaded weapon.



OPTIONAL ACCESSORIES
Any number of innovative accessories are available and sold separately to compliment your new Big Game® product(s). Only genuine authorized accessories shall be used with Big Game® product(s).

STORAGE AND CARE OF YOUR STAND
Your new treestand is factory finished with a state-of-the-art powder coating that guarantees years of trouble-free service. It is recommended that you store your treestand out of direct sunlight and out of any other harsh environmental condition(s) that may adversely affect its performance.

READ THIS MANUAL IN ITS ENTIRETY PRIOR TO USING THIS PRODUCT.

This instruction manual complies with the ASTM standard F2123 - Standard Practice for Treestand Instructions and F2337 - Standard Test Method for Treestand Fall Arrest System.

**ATTENTION!! WHEN YOU SEE A “⚠️ WARNING!” BE SURE TO HEED THE MESSAGE!
THE INFORMATION CONTAINED IN THESE MESSAGES CAN SAVE YOUR LIFE!!**

FULL-BODY FALL ARREST HARNESS USAGE INSTRUCTIONS & WARNINGS

⚠️ WARNING! Failure to read and strictly comply with the instructions contained here may result in serious injury or death!

Read the full-body fall arrest harness section carefully and follow all of the instructions! Your full-body fall arrest harness and its component (i.e., lanyard/tether, tree belt, climbing belt [lineman's belt as applicable], suspension relief device) is designed for a maximum capacity (user and equipment) of 300 pounds (136 kg). Additionally, your full-body fall arrest harness (and its components) shall be replaced after three (3) years of service! Please contact Big Game® Treestands for full-body fall arrest harness replacement procedure shall you experience a fall or shall it exceed the three (3) year service period.

⚠️ WARNING! Prior to attempting to use this or any other Big Game® Treestands product(s) you must take a moment and become familiar with its assembly, setup, installation, use and removal. You must practice installing, setting-up and using your full-body fall arrest harness and its components (i.e., lanyard/tether, tree belt, suspension relief device, climbing belt/lineman's belt [as applicable]) at ground-level prior to attempting to use it at heights above ground-level. Once you have become thoroughly knowledgeable and comfortable with this product(s) assembly, setup, installation, use and removal at ground-level, you are now ready to use it at heights above ground-level. Failure to follow these instructions may result in serious injury or death!

⚠️ WARNING! You must wear a Fall Arrest System (FAS) comprising of a full-body fall arrest harness, lanyard/tether, tree belt, suspension relief device and climbing belt/lineman's belt (as applicable) at all times after leaving the ground. You must stay connected at all times after leaving the ground while using fixed position treestands. Single safety belts and chest harnesses are no longer preferred and shall never be used. If you are not wearing a full-body fall arrest harness (that is connected to the tree) that is protecting you from a fall, do not leave the ground. Failure to follow these instructions may result in serious injury or death!

⚠️ WARNING! You must practice putting the full-body fall arrest harness on, adjusting and using your full-body fall arrest harness and it's components (i.e., lanyard/tether, tree belt, suspension relief device, climbing belt/lineman's belt [as applicable]) at ground-level in the presence of a **responsible adult** to experience the feeling of hanging suspended before using in a hunting environment. This experience will ensure you remain calm and collected shall you experience a fall while hunting. Failure to follow these instructions may result in serious injury or death!

⚠️ WARNING! The length of the full-body fall arrest harness lanyard/tether must be kept to a minimum at all times during use. It shall be adjusted so that it is above the head with no slack (snug) in the sitting position and you shall have the minimum amount of slack possible when climbing. Never let the tether strap get under your chin or around your neck. Failure to follow these instructions may result in serious injury or death!

⚠️ WARNING! Shall you experience a fall there is time to make a correct decision on what action needs to take place. It is important to remember: **DO NOT PANIC!** Failure to follow these instructions may result in serious injury or death!

⚠️ WARNING! If you have a limiting physical and/or health condition that precludes and/or renders you incapable of self-recovery and/or a suitable escape plan is not available, **DO NOT** hunt from heights above ground-level. Failure to follow these instructions may result in serious injury or death!

⚠️ WARNING! Falls from a treestand can occur anytime after leaving the ground. These falls could result in either serious injury or death! For your personal safety, please take a moment to carefully read this product instruction manual in its entirety before attempting to assemble, set-up, install, remove, and/or otherwise use this Big Game® Treestands product(s). At least annually, review the contents of this instruction manual and watch the “*Treestand Safety: It's Up To You*” dvd. Additionally, keep these instructions for the entire duration that you own this Big Game® Treestands product. Failure to follow these instructions may result in serious injury or death!

⚠️ WARNING! The safe use and operation of this Big Game® Treestands product is the sole responsibility of the user. It is also the sole responsibility of the owner to provide any person(s) who borrow or purchase this product from them with these complete instructions. Failure to follow these instructions may result in serious injury or death! Additionally, failure to follow these instructions may subject you to personal liability penalties as determined by the U.S. Judicial system.

⚠️ WARNING! Prior to each hunt, make sure that you have a signaling device (e.g., mobile phone, radio, whistle, signal flare, Personal Locator Device [PLD], etc.) in your possession and on your person in an operable condition. This device must be within easy access shall you experience the need to contact emergency assistance. Failure to follow these instructions may result in serious injury or death!

⚠️ WARNING! Practice the use of your Big Game® Treestands full-body fall arrest harness and Suspension Relief Device (SRD) at ground-level in the presence of a responsible adult to experience the feeling of hanging suspended before using in a hunting environment. Failure to follow these instructions may result in serious injury or death!

⚠️ WARNING! NEVER allow the full-body fall arrest harness lanyard/tether to get under your chin or around your neck. This poses a choking hazard that can lead to serious injury or death. Failure to follow these instructions may result in serious injury or death!

⚠️ WARNING! If your communication efforts are unsuccessful, you must have a personal plan for self-recovery/escape shall you experience a fall. Prolonged suspension in a full-body fall arrest harness can be fatal. It is important to exercise the legs by pushing against the tree or doing other forms of continuous leg exercises to avoid blood pooling while being suspended. Varying degrees of physical fitness may require different plans for self-recovery/escape the effects of prolonged suspension. Have a personal plan and practice it in the presence of a responsible adult before leaving the ground. No one escape/rescue plan will work for every hunter, on every tree, in every circumstance, Only you can determine the best self-recovery/escape plan for your hunting situation before leaving the ground. There is time to make a correct decision on what action to take if a fall occurs while wearing a full-body fall arrest harness. It is important to remember, **DO NOT PANIC.** Remain calm and Implement your practiced rescue, relief and recovery plan. Hunt from the ground when a self-recovery /escape ability is absent. Failure to follow these instructions may result in serious injury or death!

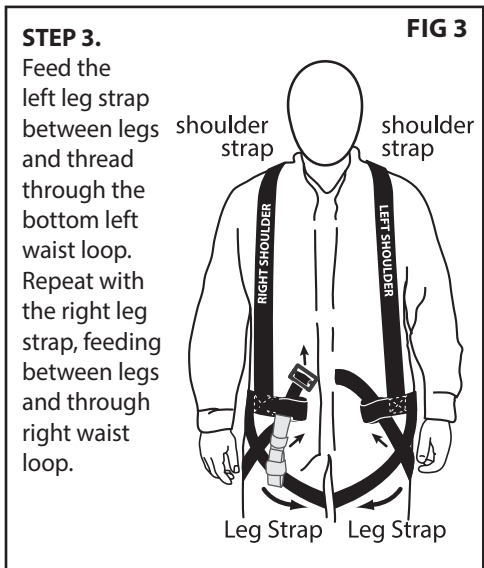
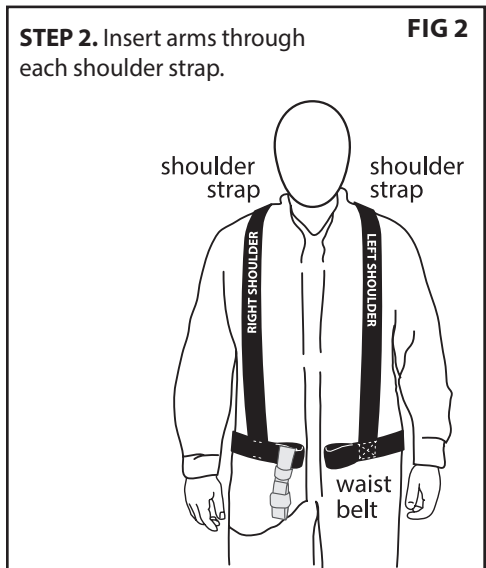
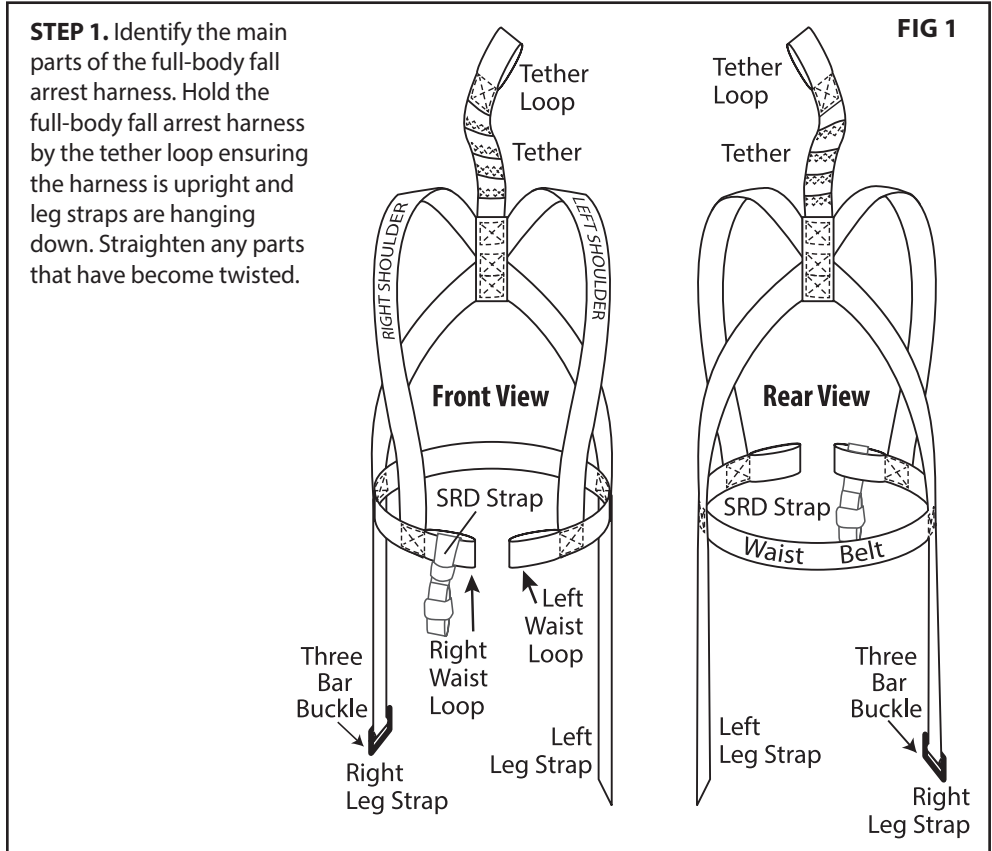
⚠️ WARNING! Do not expose this full-body fall arrest harness to ozone in any quantity in an enclosed environment. Exposure to even the slightest amounts of ozone in an enclosed environment will severely degrade the integrity of the harness and will cause it to structurally fail while in use. Failure to follow these instructions will result in serious injury or death!

ATTENTION!! WHEN YOU SEE A "⚠ WARNING!" BE SURE TO HEED THE MESSAGE! THE INFORMATION CONTAINED IN THESE MESSAGES CAN SAVE YOUR LIFE!!

FULL-BODY FALL ARREST HARNESS INSTRUCTIONS

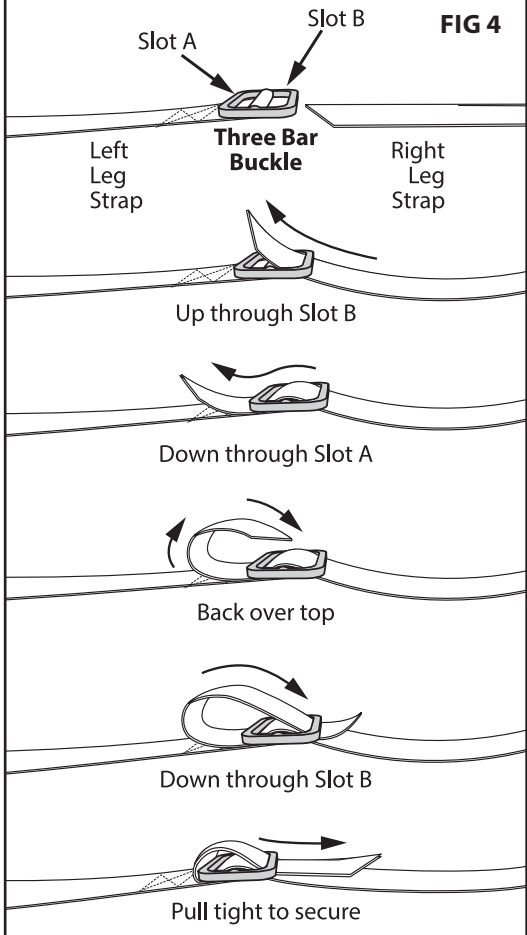
⚠ WARNING! READ THESE BIG GAME® TREESTANDS FULL-BODY FALL ARREST HARNESS INSTRUCTIONS CAREFULLY AND FOLLOW ALL THE INSTRUCTIONS! YOUR NEW FULL-BODY FALL ARREST HARNESS IS DESIGNED FOR A MAXIMUM CAPACITY (USER AND EQUIPMENT) OF 300 POUNDS (136 kg). ADDITIONALLY, YOUR NEW FULL-BODY FALL ARREST HARNESS MUST BE REPLACED AFTER THREE (3) YEARS OF SERVICE! REPLACE YOUR FULL-BODY FALL ARREST HARNESS IMMEDIATELY SHALL YOU EXPERIENCE A FALL WHILE WEARING IT.

⚠ WARNING! Use the Big Game® Treestands full-body fall arrest harness provided with this product or a harness that meets or exceeds industry standards recognized by TMA. NOTE: You must store your full-body fall arrest harness out of direct sunlight and out of any other harsh environmental condition(s) that may adversely affect its performance. Failure to follow these instructions may result in serious injury or death!



STEP 4. Secure the two leg straps by threading the three bar buckle (Fig. 4). Tighten the leg straps snugly. **DO NOT** over tighten as this will cut off the circulation to your legs. The Big Game® full-body fall arrest harness shall look like the one depicted in Figure 6 when donned correctly.

⚠ WARNING! It is very important to complete this Step of the assembly. An improperly secured buckle may cause full-body fall arrest harness failure resulting in serious injury or death! If there is not enough strap available to complete this Step, DO NOT USE THIS FULL-BODY FALL ARREST HARNESS! You may need to purchase and use a larger specialty sized full-body fall arrest harness that meets or exceeds industry standards recognized by TMA.

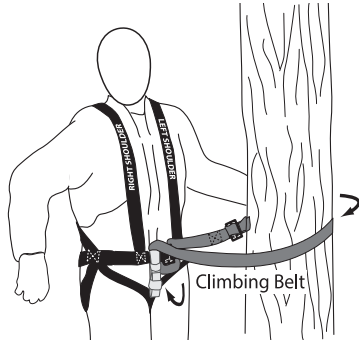


READ THIS MANUAL IN ITS ENTIRETY PRIOR TO USING THIS PRODUCT.

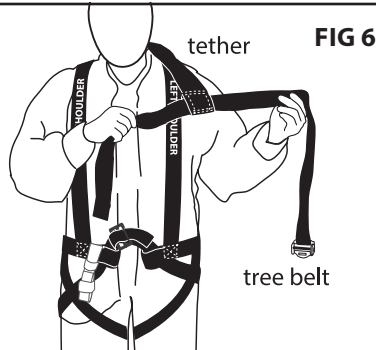
ATTENTION!! WHEN YOU SEE A "⚠ WARNING!" BE SURE TO HEED THE MESSAGE! THE INFORMATION CONTAINED IN THESE MESSAGES CAN SAVE YOUR LIFE!!

⚠ WARNING! It may be necessary to purchase an aftermarket full-body fall arrest harness which meets or exceeds industry standards recognized by TMA shall the Big Game® Treestands full-body fall arrest harness provided with this Big Game® Treestands product not be sufficiently large enough. Never exceed the weight capacity of this product(s). Failure to follow these instructions may result in serious injury or death!

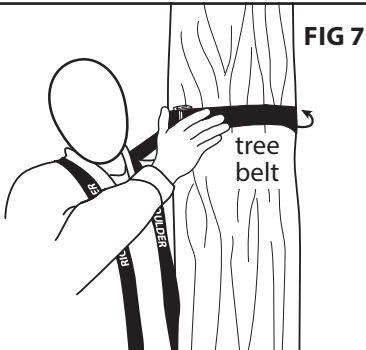
STEP 5. If necessary to use a climbing belt for the field installation of your treestand (as per the specific Instructions for your specific treestand model), feed the climbing belt through one of the waist loops and wrap the free end around the tree. Then feed opposite end through the opposite waist loop and use three bar buckle method described in Fig 4 to secure.



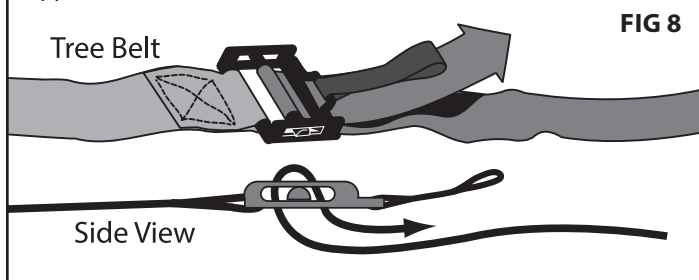
STEP 6. Once you have reached your desired height, insert the tree belt through the loop of the tether.



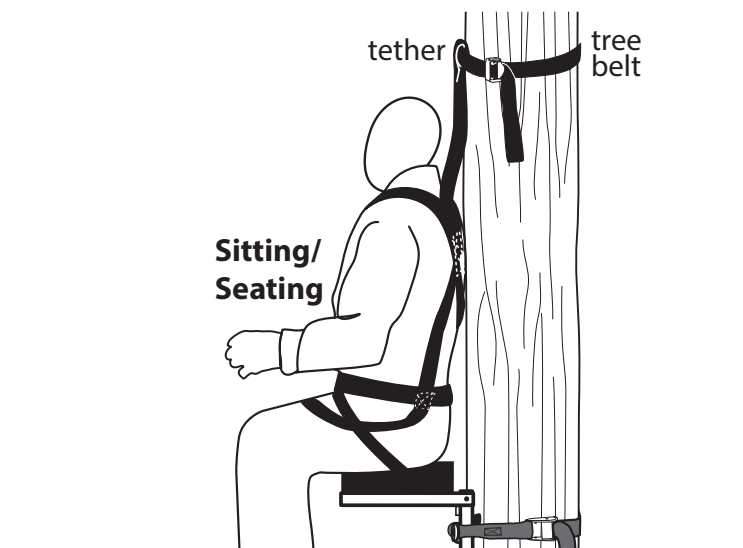
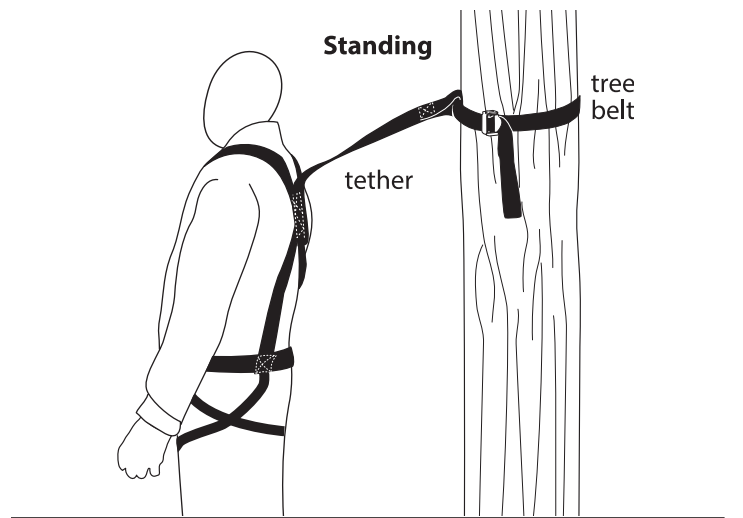
STEP 7. Then, carefully wrap the tree belt around the tree at a height that allows just enough slack for you to sit comfortably in your stand. Keeping the tether as short as possible limits the distance you will travel, in the unlikely event you shall experience a fall.



STEP 8. To secure the tree belt, insert the free end up through the slot in the buckle closest to opposite end of the tree belt, then cross over the sliding mechanism and back down through opposite slot.



STEP 9. Pull on tree belt to secure and test to make sure sliding mechanism engages, creating secure tree belt placement.



ATTENTION!! WHEN YOU SEE A "⚠ WARNING!" BE SURE TO HEED THE MESSAGE! THE INFORMATION CONTAINED IN THESE MESSAGES CAN SAVE YOUR LIFE!!

STEPS TO FOLLOW IF A FALL WERE TO OCCUR:

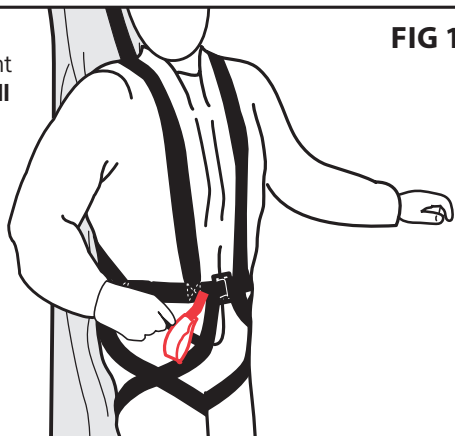
Although no one plans to fall from their treestand, falls can and do occur without warning. It is important to become familiar with the guidelines below and practice your recovery plan at ground-level. Failure to read, understand, and follow these STEPS may result in serious injury or death!

⚠ WARNING! There is time to make a correct decision on what action to take if a fall occurs while wearing a full-body fall arrest harness. It is important **NOT TO PANIC!** Remain calm and implement your practiced rescue, relief and recovery plan. Failure to follow these instructions may result in serious injury or death!

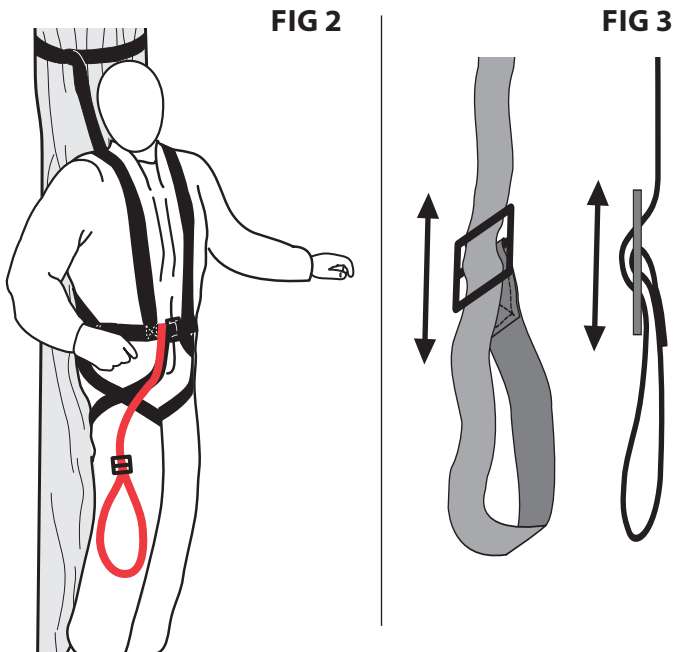
⚠ WARNING! A suspension relief device must be on your person and readily accessible while using a full-body fall arrest harness. These devices will allow you to relieve the load on the lower extremities if suspended in a full-body fall arrest harness and help maintain circulation in the legs and mitigate (minimize) suspension trauma (blood pooling) or allow descent to the ground. Follow all instructions below regarding the provided SRD (Suspension Relief Device) Failure to follow full-body fall arrest harness instructions could result in not being able to return to the stand and being suspended in a full-body fall arrest harness after a fall. Failure to follow these instructions may result in serious injury or death!

STEP 1. After a fall, take a moment to catch your breath and stay calm. **DO NOT PANIC.**

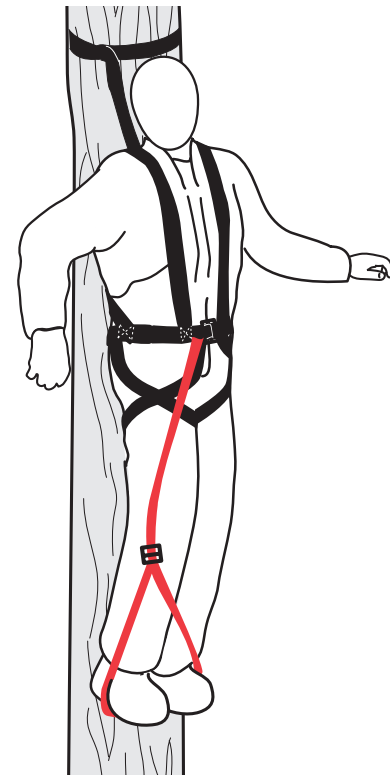
STEP 2. Pull on the **SRD strap** located on the front side of your **full-body fall arrest harness**.



STEP 3. Adjust the **SRD strap** so that you are able to step into the loop and then stand up, relieving the pressure on your lower extremities. The loop size can be adjusted by moving the buckle up or down.



STEP 4. If you are able to reach your ladder or climbing system, use it to get back into your secured treestand and then carefully climb down to ground-level. If you are not able to reach your stand, remain calm and continue to stand in the **SRD loop** until help arrives.



STEP 5. Use your **personal locating device** or **cell phone** to call for help.

NOTE: Several optional products/systems are available that offer self-recovery or self-extraction from a fall when suspended in a full-body fall arrest harness. Some systems automatically descend the user while others allow user control. One of these products/systems can be considered for use as an additional safety precaution against prolonged suspension and suspension trauma. Be sure to follow the manufacturers' directions on the safe use of these products/systems.

READ THIS MANUAL IN ITS ENTIRETY PRIOR TO USING THIS PRODUCT.

This instruction manual complies with the ASTM standard F2123 - Standard Practice for Treestand Instructions and F2337 - Standard Test Method for Treestand Fall Arrest System.

NOTES



PO Box 382 • Windom, MN 56101 • (800) 268-5077

www.BigGameTreestands.com