



# DYNACRAFT® LIGHT-UP DINO GRIP

PLEASE KEEP THESE INSTRUCTIONS FOR FUTURE REFERENCE AS THEY CONTAIN IMPORTANT INFORMATION.

**▲ CAUTION:** Please also refer to the owner's manual that came with your bicycle. Due to potential exposure to small parts and sharp edges, attachment, detachment, Battery removal and any other maintenance should only be done by an adult.

## ASSEMBLY

### STEP 1 :

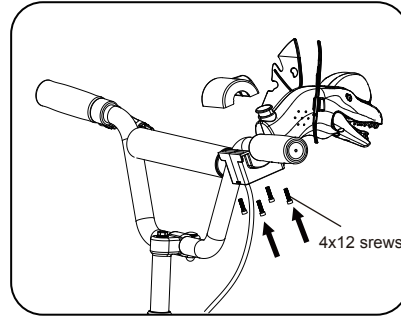
Locate the Dino Grip that is tied to the bike frame, and cut zip tie to remove.

### STEP 2 :

Unscrew the four screws in grip clamp.

### STEP 3 :

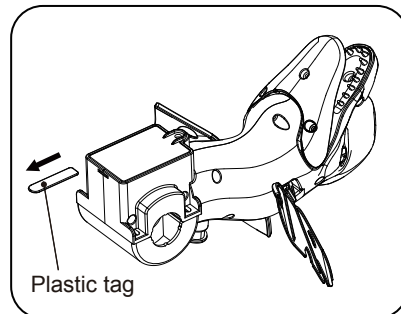
Place the clamp on the handlebar and use four **4x12** screws to tighten it to the handlebar as shown.



## HOW TO USE

### STEP 1 :

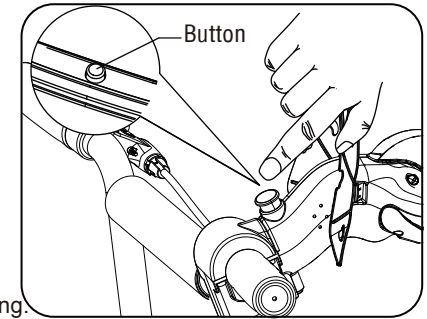
Pull the Plastic tag from the battery cover.



### STEP 2 :

To turn on the light and make sounds, push the button as shown.

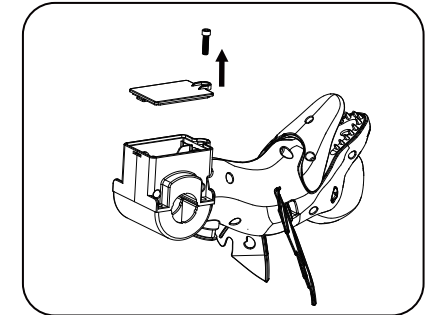
**▲ WARNING:** Do not let use of the light or sounds features interfere with safe riding or distract your child while riding. Never take your hands off the handlebars while riding.



## HOW TO REPLACE BATTERIES

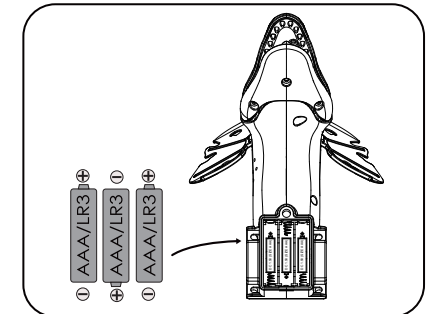
### STEP 1 :

Loosen the screw of the battery cover under the Dino Grip.



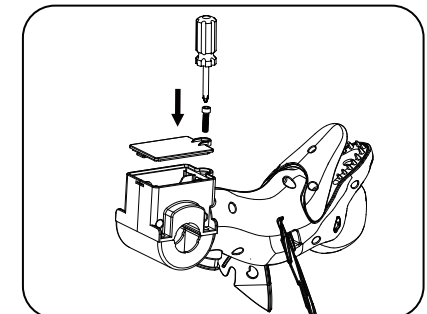
### STEP 2 :

Remove the used batteries and insert 3 x 1.5V size AAA batteries as shown in diagram at right.



### STEP 3 :

Reverse above process to secure the battery cover.



## **CAUTION: TO AVOID BATTERY LEAKAGE**

---

1. As with all small batteries, the batteries used with this product should be kept away from small children who still put things in their mouths. If they are swallowed, promptly see a doctor and have the doctor phone (202) 625 3333 collect. If you reside outside the United States, have the doctor call your local poison control center.
2. Be sure to insert the batteries correctly and always follow the product and battery manufacturer's instructions.
3. Do not mix old and new batteries of alkaline, standard (carbon-zinc) or rechargeable (nickel-cadmium) batteries.
4. Always remove weak or dead batteries from the product.

## **IMPORTANT: BATTERY INFORMATION**

### **CAUTION:**

1. Always follow the instructions carefully. Use only batteries specified and be sure to insert them correctly by matching + and - polarity markings.
  2. Do not mix old batteries and new batteries or standard (carbon-zinc) with alkaline batteries.
  3. Remove exhausted or dead batteries from product.
  4. Remove batteries if product is not to be played with for a long time.
  5. Do not short-circuit the supply terminals.
  6. Should this product cause, or be affected by, local electrical interference, move it away from other electrical equipment. Reset (switching off and back on again or removing and re-inserting batteries) if necessary.
  7. RECHARGEABLE BATTERIES: This product does not allow use of rechargeable batteries.
- Batteries included. Replace with 3x1.5V "AAA/LR3" size batteries.