

WARRANTY REGISTRATION CARD

Please complete and return this card within 10 days from the date you purchased your firearm.

Name _____
Address _____
City _____ State _____ Zip _____
Date of Purchase _____
Email _____
Model Number _____
Caliber/Gauge _____
Serial Number _____
Price Paid _____ Your Age _____

To help us better understand our customers and enhance our products and service, we would appreciate answers to the following questions:

Where purchased: Gun Shop Sporting Goods Store

Discount Sporting Goods Store Discount/Chain Store

The primary use of this firearm is:

Varmint Shooting Target Shooting Plinking

Big Game Hunting Law Enforcement/Security

How many do you own: _____ Rifles _____ Shotguns _____ Handguns

Is this your first Savage: Yes No

You selected a Savage because (rank 1-10, with 10 being most important)

| | | | | | |
|------------|-------|-------------------------|-------|-------------------|-------|
| Durability | _____ | Company Reputation | _____ | Price | _____ |
| Catalog | _____ | Friend's Recommendation | _____ | Dealer/Local Show | _____ |
| Function | _____ | Accuracy | _____ | Magazine Ad | _____ |
| TV Show | _____ | Dealer Recommendation | _____ | Other | _____ |

Which group describes your family income:

Under \$20,000 \$20,000-\$39,999 \$40,000-\$59,999 \$60,000-\$74,999

\$75,000-\$99,999 \$100,000+

Estimated number of shells/cartridges you will use this year with this gun? _____

Do you read gun or hunting magazines? Yes No

List: _____

Do you watch gun or hunting shows? Yes No

List: _____

During what month did you investigate and decide on the model to buy? _____

Did your dealer: Have the firearm in stock Need to order it

Comments: _____

104796

Download a QR Code reader app
for your Smartphone and
then snap this to complete your
WARRANTY REGISTRATION on-line.



[www.savagearms.com/customerservice/
warrantyregistration/](http://www.savagearms.com/customerservice/warrantyregistration/)

110084 (1/16) Rev. 2

www.savagearms.com

100 Springdale Road
Westfield, MA 01085

SAVAGE ARMS®

A los niños los atraen las armas de fuego y las pueden hacer funcionar. Ellos pueden causarse lesiones graves y la muerte. Evite que los niños tengan acceso a las armas de fuego guardándolas siempre con llave y descargadas cuando no las esté utilizando. Si usted tiene un arma de fuego cargada en un lugar en que un niño tiene acceso a ella y la usa indebidamente, le pueden dar una multa o enviarlo a la cárcel.

ADVERTENCIA



Children are attracted to and can operate firearms that can cause severe injury or death. Prevent child access by always keeping guns locked away and unloaded when not in use. If you keep a loaded firearm where a child obtains and improperly uses it, you may be fined or sent to prison.

WARNING



SAVAGE ARMS®

Safe ownership is your responsibility. Please thoroughly read and understand this manual before loading your firearm.

Keep firearms and ammunition away from children. Lock unloaded firearms and ammunition securely in separate locations.

This manual should always accompany your firearm and be transferred with it upon change of ownership. This is your responsibility and may protect you from future liability.

100 Springdale Road
Westfield, MA 01085

INSTRUCTION MANUAL

MARK I, RASCAL, MARK II MODEL 93 AND B.MAG

IMPORTANT! DO NOT ATTEMPT TO LOAD AND SHOOT YOUR RIFLE UNTIL YOU HAVE THOROUGHLY READ THIS INSTRUCTION MANUAL AND ARE FULLY FAMILIAR WITH ITS CONTENTS

For more information, please visit our web site at www.savagearms.com



Savage Arms, Inc.
100 Springdale Road
Westfield, MA 01085

Fold here and mail

Download a QR Code reader app for your Smartphone
then snap this to open Savage Arms' homepage



WWW.SAVAGEARMS.COM

Detach at perforation, seal edge with tape, affix postage and mail

MARK I, RASCAL, MARK II, MODEL 93 AND B.MAG

Congratulations on the purchase of your new firearm. You are now part of the Savage Sports Corporation family of quality firearms and accessories, which includes Savage Arms, Inc., Savage Arms (Canada), Stevens and Fox. With reasonable care, your firearm should deliver years of reliable service and perform to our "definition of accuracy".

THIS MANUAL IS EXTREMELY IMPORTANT.

The safety warnings and instructions in this manual are very important. By understanding the dangers involved in the use of any firearm and by taking the necessary precautions, you can use your Savage firearm in complete safety. However, failure to read, understand, and obey any of the warnings may result in serious injury or death to you or others, as well as severe damage to the firearm or other property.

For your convenience, SECTION 2 through SECTION 6 describe the following models: MARK I, RASCAL, MARK II, and MODEL 93. SECTION 7 through SECTION 11 is dedicated to the B.Mag. All of the other sections are common for both.

FOR MORE INFORMATION, PLEASE VISIT OUR WEB SITE AT: **WWW.SAVAGEARMS.COM**

| | |
|------------|--|
| SECTION 1: | SAFETY FIRST – IT'S YOUR RESPONSIBILITY! . . . p. 2 |
| SECTION 2: | TWO POSITION SAFETY (MARK I, RASCAL, MARK II, MODEL 93) p. 4 |

| | |
|------------|--|
| SECTION 3: | INSTALLING THE BOLT ASSEMBLY (MARK I, RASCAL, MARK II, MODEL 93) p.5 |
|------------|--|

| | |
|------------|--|
| SECTION 4: | BASIC USE (MARK I, RASCAL, MARK II, MODEL 93) |
| | - Mounting the sight (Mark II FVT) p.7 |
| | - Sight adjustment p.7 |
| | - Loading p.8 |
| | - Firing p.9 |
| | - Unloading p.10 |

| | |
|------------|---|
| SECTION 5: | ACCUTRIGGER™ ADJUSTMENT (MARK I, RASCAL, MARK II, MODEL 93) |
| | - Removing the stock p.11 |
| | - Adjusting the AccuTrigger . . p.11 |
| | - Installing the stock p.12 |

| | |
|------------|---------------------------|
| SECTION 6: | PARTS LIST AND DIAGRAM |
| | - Mark I p.14 |
| | - Rascal p.16 |
| | - Mark II p.18 |
| | - Model 93 p.20 |

| | |
|------------|--|
| SECTION 7: | TWO POSITION SAFETY (B.MAG) p.22 |
|------------|--|

| | |
|------------|---|
| SECTION 8: | INSTALLING THE BOLT ASSEMBLY (B.MAG) p.23 |
|------------|---|

| | |
|------------|----------------------------|
| SECTION 9: | BASIC USE (B.MAG) |
| | - Loading p.25 |
| | - Firing p.25 |
| | - Unloading p.27 |

| | |
|-------------|---------------------------------------|
| SECTION 10: | ACCUTRIGGER™ ADJUSTMENT (B.MAG) |
| | - Removing the stock p.28 |
| | - Adjusting the AccuTrigger . . p.29 |
| | - Installing the stock p.29 |

| | |
|-------------|---|
| SECTION 11: | PARTS LIST AND DIAGRAM (B.Mag) p.32 |
|-------------|---|

| | |
|-------------|--|
| SECTION 12: | AMMUNITION BULLET WEIGHT/ MAGAZINE CAPACITIES p.33 |
|-------------|--|

| | |
|-------------|---|
| SECTION 13: | RINGS AND BASES FOR MOUNTING A SCOPE p.34 |
|-------------|---|

| | |
|-------------|--------------------------------------|
| SECTION 14: | MAINTENANCE |
| | - Routine maintenance p.34 |
| | - Cleaning and care p.35 |

| | |
|-------------|--|
| SECTION 15: | STATEMENT OF LIMITED WARRANTY p.36 |
|-------------|--|

This manual should always accompany your firearm and be transferred with it upon change of ownership. This is your responsibility and may protect you from future liability.

Although considerable time and effort were put into assuring the accuracy of the information contained herein, human errors do occur. If an error is found, please let us know. As a 'customer driven' company, we appreciate and encourage feedback.

SECTION 1 - SAFETY FIRST - IT'S YOUR RESPONSIBILITY

SAFETY FIRST – IT'S YOUR RESPONSIBILITY!

Above all – remember that a firearm is a mechanical device. It can not think, it can not act on its own – it only does what YOU MAKE IT DO. A mechanical device has no way to know if your actions are safe or if they will result in injury or death – THAT'S YOUR PART! It only takes one careless second to result in a tragedy that you will have to live with the rest of your life. MAKE NO DOUBT ABOUT IT, owning and/or using a firearm puts YOU in full control of its actions and THEIR CONSEQUENCES!

10 COMMANDMENTS OF SHOOTING SAFETY

(The following excerpts are from SAAMI bulletin #081. The entire booklet can be obtained by calling: NATIONAL SHOOTING SPORTS FOUNDATION, 11 MILE HILL ROAD, NEWTOWN, CT 06470)

FIREARMS SAFETY DEPENDS ON YOU!

FROM THE TIME YOU PICK UP A FIREARM, YOU BECOME PART OF A SYSTEM OVER WHICH YOU HAVE COMPLETE CONTROL. YOU ARE THE ONLY PART OF THE SYSTEM THAT CAN MAKE A GUN SAFE – OR UNSAFE.

You can help meet this responsibility by enrolling in hunter safety or shooter safety courses, if you have not already done so. You must constantly stress safety when handling firearms, especially

to children and non-shooters. Develop safe shooting habits and remember, firearms safety is up to you. Make no mistake about it.

ALCOHOL, DRUGS AND GUNS DON'T MIX

1. ALWAYS KEEP THE MUZZLE POINTED IN A SAFE DIRECTION

This is the most basic safety rule. If everyone handled a firearm so carefully that the muzzle never pointed at something they didn't intend to shoot, there would be virtually no firearm accidents. It's as simple as that, and it's up to you.

Never point your gun at anything you do not intend to shoot. A safe direction means a direction in which a bullet cannot possibly strike anyone, taking into account possible ricochets and the fact that bullets can penetrate walls and ceilings. Even when "dry firing" with an unloaded gun, you should never point the gun at an unintended target.

This is your responsibility, and only you can control it.

2. FIREARMS SHOULD BE UNLOADED WHEN NOT ACTUALLY IN USE

Firearms should be loaded only when you are in the field or on the target range or shooting area, ready to shoot. When not in use, firearms and ammunition should be secured in a safe place, separate from each other. It is your responsibility to prevent children and inexperienced adults from gaining access to firearms or ammunition. A loaded gun has no place in or near a vehicle or building.

Whenever you handle a firearm or hand it to someone, always open the action immediately, and visually check the chamber, receiver and magazine to be certain they do not contain any ammunition. Never assume a gun is unloaded – check for yourself! While in the field, there will be times when common sense and the basic rules of firearms safety will require you to unload your gun for maximum safety. When in doubt, unload your gun!

3. DON'T RELY ON YOUR GUN'S "SAFETY"

Treat every gun as though it can fire at any time, regardless of pressure on the trigger. The "safety" on any gun is a mechanical device, which, like any such device, can become inoperable at the worst possible time. The safety serves as a supplement to proper gun handling but cannot possibly serve as a substitute for common sense.

Never touch the trigger on a firearm until you actually intend to shoot.

Your firearm is a precision instrument. Regardless of the position of the safety, any bump strong enough to actuate the firing mechanism of a gun can cause it to fire. The only time you can be absolutely certain that a gun cannot fire is when the action is open and it is completely empty. You and the safe gun handling procedures you have learned are your gun's primary safeties.

4. BE SURE OF YOUR TARGET AND WHAT'S BEYOND IT

No one can call a bullet back. Don't shoot unless you know exactly what your bullet is going to strike. Be sure that your bullet will not injure anyone or anything beyond your target. You should keep in mind how far a bullet will travel if it misses your intended target or ricochets in another direction.

Be aware that even a .22 short bullet can travel over 1¼ miles and a high velocity shell, such as a 30-06, can project a bullet more than 3 miles. Shotgun pellets can travel 500 yards, and shotgun slugs have a range of over a half-mile.

5. USE CORRECT AMMUNITION

You must assume the serious responsibility of using only the correct ammunition for your firearm. Read and heed all warnings, including those that appear in the gun's instruction manual and on the ammunition boxes. Using improper or incorrect ammunition can destroy a gun and cause serious personal injury. It only takes one shell of improper caliber or gauge to wreck your gun, and only a second to check each one as you load it. Be absolutely certain that the ammunition you are using matches the specifications that are contained within the gun's instruction manual and the manufacturer's markings on the firearm barrel.

Hand loaded or reloaded ammunition deviating from pressures generated by factory loads or from competent recommendations specified in

reputable hand loading manuals can be dangerous, and can cause severe damage to guns and serious injury to the shooter.

Ammunition that has become very wet or has been submerged in water should be discarded in a safe manner. Do not spray oil or solvents on ammunition or place ammunition in excessively lubricated firearms.

Form the habit of examining every shell you put in your gun. Never use damaged, old or questionable ammunition – the money you save is not worth the risk of possible injury or a ruined gun.

DISCHARGING FIREARMS IN POORLY VENTILATED AREAS, CLEANING FIREARMS OR HANDLING AMMUNITION MAY RESULT IN EXPOSURE TO LEAD AND OTHER SUBSTANCES KNOWN TO CAUSE BIRTH DEFECTS, REPRODUCTIVE HARM AND OTHER SERIOUS PHYSICAL INJURY. HAVE ADEQUATE VENTILATION AT ALL TIMES. WASH HANDS THOROUGHLY AFTER EXPOSURE.

6. IF YOUR GUN FAILS TO FIRE WHEN THE TRIGGER IS PULLED, HANDLE WITH CARE!

Occasionally, a loaded gun may not fire when the trigger is pulled. If this occurs, keep the muzzle pointed in a safe direction. Keep your face away from the breach. Then, carefully open the action, unload the firearm and dispose of the shell in a safe way.

Any time there is a shell in the chamber, your gun is loaded and ready to fire - even if you've tried to shoot and it did not go off. It could go off at any time, so you must always remember **RULE #1** and **WATCH THAT MUZZLE!**

7. ALWAYS WEAR EYE AND EAR PROTECTION WHEN SHOOTING

All shooters should wear protective shooting glasses and some form of hearing protectors while shooting. Exposure to shooting noise can damage hearing, and adequate vision protection is essential. Wearing eye protection when disassembling and cleaning any gun will also help prevent the possibility of springs, spring tensioned parts, solvents or other agents from contacting your eyes. No target shooter, plinker or hunter should ever be without them.

8. BE SURE THE BARREL IS CLEAR OF OBSTRUCTIONS BEFORE SHOOTING

Before you load your firearm, open the action and be certain that there is no shell in the chamber. Then glance through the barrel to be sure it is clear of any obstruction. Even a small bit of mud, snow, excess lubricating oil or grease in the bore can cause dangerously increased pressure, causing the barrel to bulge or even burst when firing, which can cause injury to the shooter and bystanders. Make it a habit to clean the bore with a cleaning rod and patch to wipe away anti-rust compounds in the gun each time immediately before you shoot it. If the noise or recoil on firing seems weak or

doesn't seem quite "right", cease firing immediately and be sure to check that no obstruction or projectile has become lodged in the barrel.

9. DON'T ALTER OR MODIFY YOUR GUN, AND HAVE GUNS SERVICED REGULARLY

Firearms are complicated mechanisms, which are designed by experts to function properly in their original condition. Any alteration or change (other than adjusting the AccuTrigger™) made to a firearm after manufacture can make the gun dangerous and will usually void any factory warranties. Do not jeopardize your safety or the safety of others by altering the trigger, safety or other mechanism of any firearm or allowing unqualified person's to repair or modify a gun.

Your gun is a mechanical device, which will not last forever and is subject to wear. As such, it requires periodic inspection, adjustment and service.

10. LEARN THE MECHANISM AND HANDLING CHARACTERISTICS OF THE FIREARM YOU ARE USING

Not all firearms are the same. Consequently, never handle any firearm without first having thoroughly familiarized yourself with the particular type of firearm you are using, the safe gun handling rules for loading, unloading, carrying and handling that firearm, and the rules of safe gun handling in general. Locate the firearm's mechanical safety device and get familiar with the feel and "on/off" positions.

You should always read and refer to the instruction manual you received with your gun, or if you have misplaced the manual, simply contact the manufacturer for a free copy.

Having a gun in your possession is a full-time job. You cannot guess; you cannot forget. You must know how to use, handle, and store your firearm safely. Do not use any firearm without having a complete understanding of its particular characteristics and safe use. There is no such thing as a foolproof gun.

SECTION 2 – TWO POSITION SAFETY FOR THE MARK I, RASCAL, MARK II, AND MODEL 93

TWO POSITION SAFETY

PRIOR TO LOADING OR OPERATING, FAMILIARIZE YOURSELF THOROUGHLY WITH THESE OPERATING INSTRUCTIONS AND THE MAIN PARTS OF YOUR FIREARM.

YOUR GUN IS A MECHANICAL DEVICE WHICH WILL NOT LAST FOREVER AND IS SUBJECT TO WEAR. WHEN SOMETHING DOES NOT SOUND, FEEL, OR LOOK RIGHT, SEEK THE ADVICE OF A PROFESSIONAL GUNSMITH IMMEDIATELY. NEVER TAKE A CHANCE.

FAILURE TO OBEY A SAFETY WARNING MAY RESULT IN INJURY TO YOU OR OTHERS.

KNOW HOW TO LOCATE AND OPERATE THE SAFETY MECHANISM.

THOROUGHLY CLEAN THE INSIDE OF THE BARREL AND CHAMBER PRIOR TO LOADING WITH AMMUNITION.

THE USE OF RELOADS, HANDLOADS, MILITARY SURPLUS, OR ANY OTHER COMMERCIAL/ NONCOMMERCIAL AMMUNITION NOT MANUFACTURED TO SAAMI (SPORTING ARMS AND AMMUNITION MANUFACTURERS' INSTITUTE, INC.)/ ANSI (AMERICAN NATIONAL STANDARDS INSTITUTE) SPECIFICATIONS WILL VOID THE WARRANTY.

ALWAYS BE SURE THE FIREARM (ESPECIALLY THE BARREL) IS FREE AND CLEAR OF ANY OBSTRUCTIONS THAT MAY RESTRICT (OR SLOW DOWN) THE BULLET FROM LEAVING THE MUZZLE AT ITS NORMAL RATE OF SPEED. THIS INCLUDES SNOW, WATER, BRUSH, SHRUBS, STICKS, LEAVES AND DEBRIS TO NAME A FEW. NEVER PLACE THE END OF A BARREL OR SUBMERGE A FIREARM UNDER WATER. RESTRICTING, SLOWING, OR STOPPING THE BULLET FROM LEAVING THE MUZZLE WILL CREATE AN EXCESSIVE AMOUNT OF PRESSURE TO BUILD UP BEHIND IT AND MAY LEAD TO EXTENSIVE DAMAGE TO THE FIREARM AND PERSONAL INJURY TO THE SHOOTER AND/OR BYSTANDERS. SAFE OPERATION IS YOUR RESPONSIBILITY AND CAN ONLY BE CONTROLLED BY YOU!

KNOW EXACTLY WHERE YOU ARE POINTING THE BARREL OF A FIREARM AND WHY!

IT IS SO IMPORTANT TO STRESS THAT A FIREARM IS NO MORE THAN AN ASSEMBLY OF MANY DIFFERENT COMPONENTS – A MECHANICAL DEVICE. AS SUCH, YOU ARE THE ONLY SAFETY MECHANISM THAT CAN PREVENT AN ACCIDENT.

The safety on these Savage Arms rimfire bolt actions have two positions:

- **FULL SAFE** – fully rearward covering the red 'dot'.
- **SAFETY OFF - READY TO FIRE** – fully forward exposing the red 'dot'.

FULL SAFE

1. The safety is in the *FULL SAFE* position when it has been moved fully rearward, covering the red "dot" (See *FIGURE 1*).
2. The safety should be moved to the *FULL SAFE* position prior to closing the bolt when loading ammunition.
3. In the *FULL SAFE* position, the trigger is blocked from moving.



FIGURE 1



FIGURE 2

WHEN CARRYING A LOADED FIREARM, THE SAFETY MUST ALWAYS BE IN THE FULL SAFE POSITION.

THE ONLY TIME YOU CAN BE ABSOLUTELY CERTAIN THAT A GUN CANNOT FIRE IS WHEN THE ACTION IS OPEN AND IT IS COMPLETELY EMPTY OF AMMUNITION.

SAFETY OFF – READY TO FIRE

1. The safety is in the *OFF – READY TO FIRE* position when moved fully forward, exposing the red "dot" (see *FIGURE 2*).

NEVER CARRY A LOADED FIREARM WITH THE SAFETY OFF.

SECTION 3 – INSTALLING THE BOLT ASSEMBLY FOR THE MARK I, RASCAL, MARK II, AND MODEL 93

BOLT ASSEMBLIES ARE SPECIFICALLY MATCHED TO A FIREARM. USING ANY OTHER BOLT ASSEMBLY MAY CAUSE EXTENSIVE DAMAGE TO THE FIREARM AND/OR SERIOUS INJURY TO THE SHOOTER OR BYSTANDER.

CERTAIN FIREARMS ARE SHIPPED WITH THE BOLT REMOVED AND PACKED IN A SEPARATE COMPARTMENT WITHIN THE BOX. BEFORE INSTALLING THE BOLT, VERIFY THAT THE 4 DIGITS ENGRAVED ON THE BOTTOM MATCH THE LAST 4 DIGITS OF THE SERIAL NUMBER ON THE RECEIVER.

BE SURE THERE IS NO AMMUNITION IN EITHER THE CHAMBER OR MAGAZINE.

1. Be sure the bolt handle is aligned properly with the front of the bolt (see *FIGURE 3 – BOTTOM VIEW*).

The RASCAL is a one piece bolt and does not need to be aligned (see *FIGURE 4 – BOTTOM VIEW*).

2. Hold the bolt so the firing pin is located top center.
3. Be sure the bolt handle is aligned properly with the bolt arm slot in the receiver.
4. Firmly pull the trigger (Safety must be in the *OFF- READY TO FIRE* position) while sliding the bolt into the rear of the receiver.

5. If you encounter difficulty inserting the bolt, remove it and recheck the alignment.

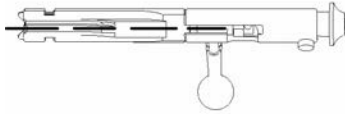
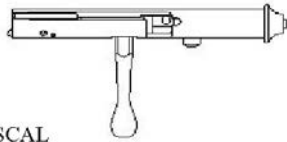


FIGURE 3



RASCAL

FIGURE 4

YOUR GUN IS A MECHANICAL DEVICE WHICH WILL NOT LAST FOREVER AND IS SUBJECT TO WEAR. WHEN SOMETHING DOES NOT SOUND, FEEL, OR LOOK RIGHT, SEEK THE ADVICE OF A PROFESSIONAL GUNSMITH IMMEDIATELY. NEVER TAKE A CHANCE!

SECTION 4 – BASIC USE FOR THE MARK I, RASCAL, MARK II, AND MODEL 93

FIREARMS SHOULD BE LOADED ONLY WHEN YOU ARE IN THE FIELD, ON THE TARGET RANGE, OR AT A SHOOTING AREA READY TO SHOOT.

ALWAYS KEEP THE MUZZLE POINTED IN A SAFE DIRECTION.

USE ONLY THE CORRECT AMMUNITION THAT IS INDICATED (STAMPED) ON THE SIDE OF THE BARREL.

THOROUGHLY CLEAN THE INSIDE OF THE BARREL AND CHAMBER PRIOR TO LOADING WITH AMMUNITION.

ALWAYS BE SURE THE FIREARM (ESPECIALLY THE BARREL) IS FREE AND CLEAR OF ANY OBSTRUCTIONS THAT MAY RESTRICT (OR SLOW DOWN) THE BULLET FROM LEAVING THE MUZZLE AT ITS NORMAL RATE OF SPEED. THIS INCLUDES SNOW, WATER, BRUSH, SHRUBS, STICKS, LEAVES AND DEBRIS TO NAME A FEW. NEVER PLACE THE END OF A BARREL OR SUBMERGE A FIREARM UNDER WATER. RESTRICTING, SLOWING, OR STOPPING THE BULLET FROM LEAVING THE MUZZLE WILL CREATE AN EXCESSIVE AMOUNT OF PRESSURE TO BUILD UP BEHIND IT AND MAY LEAD TO EXTENSIVE DAMAGE TO THE FIREARM AND PERSONAL INJURY TO THE SHOOTER AND/OR BYSTANDERS. SAFE OPERATION IS YOUR RESPONSIBILITY AND

CAN ONLY BE CONTROLLED BY YOU!

THE USE OF RELOADS, HANDLOADS, MILITARY SURPLUS, OR ANY OTHER COMMERCIAL/ NONCOMMERCIAL AMMUNITION NOT MANUFACTURED TO SAAMI (SPORTING ARMS AND AMMUNITION MANUFACTURERS' INSTITUTE, INC.)/ANSI (AMERICAN NATIONAL STANDARDS INSTITUTE) SPECIFICATIONS WILL VOID THE WARRANTY.

AMMUNITION IS A CRITICAL FACTOR IN THE RELIABLE PERFORMANCE OF YOUR FIREARM. DUE TO THE MANY TYPES OF COMMERCIALLY AVAILABLE AMMUNITION AND THE MILLIONS OF ROUNDS PRODUCED EVERY YEAR, IT IS POSSIBLE TO OCCASIONALLY EXPERIENCE AMMUNITION RELATED PROBLEMS. SHOULD YOU NOTICE WHAT APPEARS TO BE GAS PRESSURE/RESIDUAL POWDER COMING FROM THE BOLT AREA, THIS MAY BE WHAT IS KNOWN AS "BLOW BACK". ALTHOUGH WEARING SAFETY GLASSES WILL PROTECT YOUR EYES, WE RECOMMEND TRYING A DIFFERENT BRAND OF AMMUNITION IN ORDER TO CORRECT THE SITUATION.

KNOW YOUR GUN! IF ANYTHING 'FEELS' OR SOUNDS DIFFERENT WHEN LOADING OR SHOOTING - STOP - AND HAVE A QUALIFIED GUNSMITH TAKE A LOOK! NEVER TAKE A CHANCE WITH SOMETHING THAT YOU ARE UNSURE OF ... ALWAYS ASK A PROFESSIONAL.

MOUNTING THE SIGHT – MARK II FVT

1. Remove the sight assembly from its protective packaging and be sure that all parts are intact and undamaged.
2. Position the base onto the receiver, tightening the MOUNTING SCREW firmly (see FIGURE 5). The use of LocTite242 (or equivalent) is recommended.

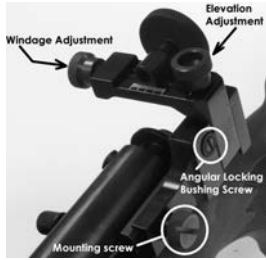


FIGURE 5

SIGHT ADJUSTMENT – MARK II FVT

THE ELEVATION AND WINDAGE LOCKING SCREWS SHOULD BE BACKED-OFF 1/4 TURN ONLY. THIS IS ALL THAT IS NECESSARY TO ALLOW ELEVATION AND WINDAGE SCREWS TO BE UNLOCKED. TURNING THESE SCREWS MORE THAN ONE TURN MAY DISENGAGE THE ELEVATION AND WINDAGE SCREWS. THESE LOCK SCREWS ARE PRECISION MADE AND SHOULD NOT BE OVER TIGHTENED.

1. Elevation – Turn the ELEVATION SCREW (see FIGURE 5) to the right or clockwise to

lower the point of impact. To raise the point of impact, turn the ELEVATION SCREW to the left or counterclockwise.

2. Windage – Turn the WINDAGE SCREW (see FIGURE 5) to the right or clockwise to move the point of impact to the left. To move the point of impact to the right, turn the WINDAGE SCREW to the left or counterclockwise.

ADJUSTMENTS ARE MICROMETER, APPROXIMATELY 1/4 MINUTE (DETERMINED BY SIGHTING RADIUS).

3. Snug both the ELEVATION and WINDAGE locking screws (see FIGURE 5).
4. Snug the ANGULAR LOCKING BUSHING SCREW (see FIGURE 5).

APERTURE SELECTION

1. Unscrew the front APERTURE SIGHT RETAINING RING (see FIGURE 6) by turning it to the left or counterclockwise.
2. Remove the RETAINING RING and APERTURE.
3. Select the aperture from those supplied (see FIGURE 7) and insert into the FRONT APERTURE SIGHT HOOD.
4. Replace the RETAINING RING and tighten the front APERTURE SIGHT LOCKING SCREW.



FIGURE 6

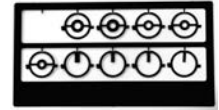


FIGURE 7

SIGHT ADJUSTMENT – MARK I TARGET

For warranty or replacement parts for the Williams FP RECEIVER SIGHT, please contact: Williams Gun Sight Company - "On The Range", 739 Lapeer Road - P.O. Box 329, Davison, MI 48423 (1-800-530-9028, FAX 810-658-2140, WWW.WILLIAMSGUNSIGHT.COM).

CARE

THE 'WILLIAMS FP RECEIVER SIGHT' IS MADE OF THE HIGHEST GRADE ALLOY OBTAINABLE. LUBRICATION OF THE SIGHT IS JUST AS IMPORTANT AS THE RIFLE. BY REMOVING THE WINDAGE AND ELEVATION LOCK SCREWS (SEE FIGURE 8), A DROP OF OIL IN EACH OF THE HOLES AND REPLACEMENT OF THE LOCKING SCREWS WILL FORCE OIL THROUGH ALL WORKING PARTS.



FIGURE 8

SIGHT ADJUSTMENT – RASCAL

RASCAL

1. Elevation – Loosen the REAR SIGHT LOCKING SCREW to enable the elevation to be raised or lowered (see FIGURE 9).
2. Windage – Loosen the REAR SIGHT APERTURE to allow for left/right movement (See FIGURE 9).

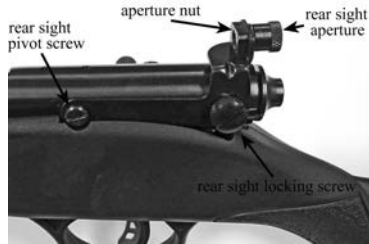


FIGURE 9

LOADING

ALWAYS KEEP THE MUZZLE POINTED IN A SAFE DIRECTION.

SINGLE SHOT

1. With the muzzle pointed in a safe direction, move the SAFETY fully rearward to the FULL SAFE position.
2. Lift the bolt handle up and fully rearward.
3. Look and feel to be sure the chamber is empty.
4. Insert a cartridge of the correct caliber (as stamped on the side of the barrel) into the chamber as shown in FIGURE 10.



FIGURE 10

5. Moving the bolt handle forward and down will push the cartridge into the chamber.

WHEN THE BOLT IS FULLY CLOSED, A LIVE CARTRIDGE WILL BE IN THE CHAMBER. ALWAYS KEEP THE MUZZLE POINTED IN A SAFE DIRECTION.

DETACHABLE MAGAZINE

1. With the muzzle pointed in a safe direction, move the safety fully rearward to the FULL SAFE position.
2. Lift the bolt handle up and fully rearward.
3. With one hand ready to catch the removable magazine, use the other hand to support the firearm and depress the latch at the rear of the magazine, ejecting the magazine into your hand (see FIGURE 11).



FIGURE 11

4. Look and feel to be sure there are no cartridges in the chamber.
5. Load the correct caliber cartridges (as stamped on the side of the barrel) into the detachable magazine by pressing downward and sliding under the rear lip (see FIGURE 12), filling the magazine to capacity (see SECTION 12).



FIGURE 12

6. Insert the detachable magazine into the stock opening, pressing upward until the latch snaps into position and is fully engaged.
7. Moving the bolt handle forward and down will push the first cartridge from the magazine into the chamber.

WHEN THE BOLT IS FULLY CLOSED, A LIVE CARTRIDGE WILL BE IN THE CHAMBER. ALWAYS KEEP THE MUZZLE POINTED IN A SAFE DIRECTION.

FIRING

SAVAGE ARMS OFFERS CERTAIN MODEL FIREARMS WITH AN ACCUTRIGGER - A SPECIALLY DESIGNED USER ADJUSTABLE TRIGGER. IT IS THE SOLE RESPONSIBILITY OF THE SHOOTER TO EXERCISE EXTREME CARE WHILE ADJUSTING/HANDLING THESE FIREARMS. SAVAGE ARMS ACCEPTS NO RESPONSIBILITY/LIABILITY FOR ANY DIRECT AND/OR CONSEQUENTIAL DAMAGE AND/OR INJURY RESULTING FROM THE

MISUSE AND/OR MISHANDLING OF A FIREARM. AS WITH ANY PRECISION TUNED MECHANICAL DEVICE, PERIODIC INSPECTION/MAINTENANCE IS REQUIRED - AND YOUR RESPONSIBILITY!

WITH SAFETY AS OUR PRIMARY CONCERN, THE ACCUTRIGGER DESIGN REQUIRES THE SHOOTER TO PLACE THEIR FINGER SQUARELY OVER THE ACCURELEASE™ (SEE FIGURE 13 AND FIGURE 14).



FIGURE 13



FIGURE 14

PULLING THE TRIGGER FROM THE SIDE OR NOT DIRECTLY REARWARD (SEE FIGURE 15) WILL CAUSE THE SEAR TO DISENGAGE AND BE BLOCKED BY THE ACCURELEASE.



FIGURE 15

ALTHOUGH A 'CLICK' MAY BE HEARD, THE SEAR IS BLOCKED, PREVENTING THE FIRING PIN FROM HITTING THE PRIMER. WHEN THIS HAPPENS, THE BOLT MUST BE RAISED AND LOWERED TO 'RECOCK' THE FIREARM.

THE ONLY TIME YOU CAN BE ABSOLUTELY CERTAIN THAT A GUN CANNOT FIRE IS WHEN THE ACTION IS OPEN AND IT IS COMPLETELY EMPTY OF AMMUNITION.

NEVER TOUCH THE TRIGGER ON A FIREARM UNTIL YOU ACTUALLY INTEND TO SHOOT.

NEVER POINT YOUR GUN AT ANYTHING YOU DO NOT INTEND TO SHOOT.

ALWAYS KEEP THE MUZZLE POINTED IN SAFE A DIRECTION.

DO NOT MOVE THE SAFETY FORWARD TO THE SAFETY OFF – READY TO FIRE POSITION UNTIL YOU ARE READY TO SHOOT.

ALWAYS WEAR EYE AND EAR PROTECTION.

1. Keep your finger off the trigger and out of the trigger guard until you are ready to shoot.
2. Always look carefully around to be sure that no one will cross in front of you when you are ready to shoot.
3. Place the firearm to your shoulder and move the safety forward to the SAFETY OFF – READY TO FIRE position and take aim.
4. Place your finger in the trigger guard and when you are on target, squarely over the AccuRelease. Squeeze the trigger slowly.

PULLING THE TRIGGER FROM THE SIDE OR NOT DIRECTLY REARWARD WILL CAUSE THE SEAR TO DISENGAGE AND BE BLOCKED BY THE ACCURELEASE. ALTHOUGH A ‘CLICK’ MAY BE HEARD, THE SEAR IS BLOCKED, PREVENTING THE FIRING PIN FROM HITTING THE PRIMER. WHEN THIS HAPPENS, THE BOLT MUST BE RAISED AND LOWERED TO ‘RECOCK’ THE FIREARM.

NO ONE CAN CALL A BULLET BACK.

5. Pull up and fully rearward on the bolt handle to open the bolt to extract the fired case.
6. Moving the bolt handle forward will push the next cartridge from the magazine into the chamber (detachable magazine only).

7. Move the SAFETY fully rearward to the FULL SAFE position.

ALWAYS KEEP THE MUZZLE POINTED IN A SAFE DIRECTION.

LOOK AND FEEL! BE SURE THE CHAMBER AND LOADING PLATFORM ARE COMPLETELY EMPTY -- DO NOT ASSUME!

UNLOADING – SINGLE SHOT

KEEP YOUR FINGERS AWAY FROM THE TRIGGER.

KEEP THE MUZZLE POINTED IN A SAFE DIRECTION.

1. With the muzzle pointed in a safe direction, your finger completely away from the trigger and out of the trigger guard, move the SAFETY fully rearward to the FULL SAFE position.
2. Placing one hand over the ejection port, your finger completely away from the trigger and out of the trigger guard, slowly lift the bolt handle and pull fully rearward to extract the cartridge (if there is one) from the chamber.

LOOK AND FEEL! BE SURE THE CHAMBER AND MAGAZINE ARE COMPLETELY EMPTY - DO NOT ASSUME!

A LOADED GUN HAS NO PLACE IN OR NEAR A CAR, TRUCK OR BUILDING.

UNLOADING – DETACHABLE MAGAZINE

KEEP YOUR FINGERS AWAY FROM THE TRIGGER.

KEEP THE MUZZLE POINTED IN A SAFE DIRECTION.

1. With the muzzle pointed in a safe direction, your finger completely away from the trigger and out of the trigger guard, move the SAFETY fully rearward to the FULL SAFE position.
2. With one hand prepared to catch the detachable magazine, pull the latch at the rear of the magazine, ejecting the magazine into your hand (see FIGURE 11).
3. Placing one hand over the ejection port, your finger completely away from the trigger and out of the trigger guard, slowly lift the bolt handle and pull fully rearward to extract the cartridge (if there is one) from the chamber.

LOOK AND FEEL! BE SURE THE CHAMBER AND MAGAZINE ARE COMPLETELY EMPTY - DO NOT ASSUME!

A LOADED GUN HAS NO PLACE IN OR NEAR A CAR, TRUCK OR BUILDING.

SECTION 5 – ACCUTRIGGER ADJUSTMENT FOR THE MARK I, RASCAL, MARK II, AND MODEL 93

WITH SAFETY AS OUR PRIMARY CONCERN, THE ACCUTRIGGER DESIGN REQUIRES THE SHOOTER TO PLACE THEIR FINGER SQUARELY OVER THE ACCURELEASE. PULLING THE TRIGGER FROM THE SIDE OR NOT DIRECTLY REARWARD WILL CAUSE THE SEAR TO DISENGAGE AND BE BLOCKED BY THE ACCURELEASE. ALTHOUGH A ‘CLICK’ MAY BE HEARD, THE SEAR IS BLOCKED, PREVENTING THE FIRING PIN FROM HITTING THE PRIMER. WHEN THIS HAPPENS, THE BOLT MUST BE RAISED AND LOWERED TO ‘RECOCK’ THE FIREARM.

KNOW YOUR GUN! IF ANYTHING ‘FEELS’ OR SOUNDS DIFFERENT WHEN LOADING OR SHOOTING - STOP - AND HAVE A QUALIFIED GUNSMITH TAKE A LOOK! NEVER TAKE A CHANCE WITH SOMETHING THAT YOU ARE UNSURE OF ... ALWAYS ASK A PROFESSIONAL.

SAFE OWNERSHIP IS YOUR RESPONSIBILITY. PRIOR TO ADJUSTING THE ACCUTRIGGER PLEASE THOROUGHLY READ AND UNDERSTAND THE INSTRUCTION MANUAL IN ITS ENTIRETY.

BE SURE THE BOLT IS OPEN AND THERE IS NO LIVE AMMUNITION IN EITHER THE CHAMBER OR DETACHABLE MAGAZINE BEFORE REMOVING THE STOCK AND ADJUSTING THE ACCUTRIGGER.

ADJUSTING THE ACCUTRIGGER REQUIRES THE STOCK TO BE REMOVED.

REMOVING THE STOCK

1. Remove the detachable magazine if so equipped (see FIGURE 11).

THE ONLY TIME YOU CAN BE ABSOLUTELY CERTAIN THAT A GUN CANNOT FIRE IS WHEN THE ACTION IS OPEN AND IT IS COMPLETELY EMPTY OF AMMUNITION.

2. Lift the bolt handle up and fully rearward.
3. Look and feel to be sure the chamber is empty.
4. Turn the firearm upside down, with the muzzle pointed away from you.
5. Using a 9/64" Allen wrench (5/32" for a ‘Thumbhole’ stock), loosen and remove the two screws securing the stock (see FIGURE 16).



FIGURE 16

ADJUSTING THE ACCUTRIGGER

1. Notice that the trigger return spring (B) may protrude below the bottom surface of the trigger (see FIGURE 18).
2. To adjust towards the higher range of pull (approximately 4 1/2 pounds), insert the AccuTrigger supplied tool (A) into the bottom of the trigger return spring (B) and turn the tool clockwise. The maximum trigger pull is at the point where the spring “clicks” when rotated (see FIGURE 17).
3. To adjust for a lower pull (approximately 2 1/2 pounds), insert the AccuTrigger supplied tool (A) into the bottom of the trigger return spring (B) and turn the tool counter-clockwise. The minimum pull is at the point where the large coil sets deep within the trigger and the small coil extends quite a bit below the trigger and you detect resistance (see FIGURE 18).

The spring should not be forced beyond these limits.

MAXIMUM TRIGGER PULL



FIGURE 17

MINIMUM TRIGGER PULL
(as supplied from the factory)

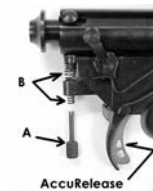


FIGURE 18

4. The AccuRelease adds an additional level of safety by stopping the sear if the rifle is accidentally jarred or dropped, assuming the firearm has been properly serviced and maintained.

EXCESSIVE JARRING OR PULLING THE TRIGGER WITHOUT DEPRESSING THE ACCURELEASE MAY CAUSE THE SEAR TO MOVE. AS DESIGNED, THE ACCURELEASE WILL PREVENT ACCIDENTAL DISCHARGE WHEN MAINTAINED AND REGULARLY SERVICED. WHEN THE SEAR IS BLOCKED BY THE ACCURELEASE, THE INTERNAL HAMMER IS RESTRAINED WITHIN THE BOLT ASSEMBLY. THE 'CLICK' THAT IS HEARD IS THE ACTUAL SEAR BEING BLOCKED BY THE ACCURELEASE AND NOT THE FIRING PIN BEING RELEASED! IN THIS EVENT, THE BOLT MUST BE RECOCKED IN ORDER TO RESET THE SEAR.

WITH ANY MECHANICAL DEVICE, SURFACES WILL WEAR WITH USE. KNOW YOUR GUN! IF ANYTHING 'FEELS' OR SOUNDS DIFFERENT - STOP - AND HAVE A QUALIFIED GUNSMITH TAKE A LOOK! NEVER TAKE A CHANCE WITH SOMETHING THAT YOU ARE UNSURE OF ... ALWAYS ASK A PROFESSIONAL.

INSTALLING THE STOCK

1. Place the action into the stock.
2. Replace both screws, tightening only to secure the stock (approximately 18 inch pounds) but not enough to indent the stock or MAGAZINE RETAINING PLATE.
3. Cycle the bolt several times to be sure that it functions properly.
4. With the chamber and detachable magazine (if so equipped) empty, the bolt open, and the muzzle pointed in a safe direction, verify that **both positions of the safety function normally.** With the SAFETY in the FULL SAFE position, the trigger should have no movement when pulled.

SAFE OWNERSHIP IS YOUR RESPONSIBILITY!

WHEN SOMETHING DOES NOT SOUND, FEEL, OR LOOK RIGHT, SEEK THE ADVICE OF A PROFESSIONAL GUNSMITH IMMEDIATELY. NEVER TAKE A CHANCE!

**SECTION 6 – PARTS LIST AND
DIAGRAM FOR THE MARK I, RASCAL,
MARK II, AND MODEL 93**

As a 'customer driven' company, some parts may now be ordered directly from our web site (within the continental United States) twenty four hours a day, needing only your serial number and credit card. From your computer, simply go to our website (WWW.SAVAGEARMS.COM), select the STORE tab (upper right portion of the screen) and then PARTFINDER from the drop down menu. For accessing our part finder via your Smartphone, please use the QR Code below. Should you not have access to our web site, parts can be ordered directly from Savage Arms [413-568-7001] between the hours of 9:00am and 4:00pm (Eastern Time). There is a minimum order and please allow 2 weeks for delivery. Only the parts indicated may be purchased by an individual. All other parts/subassemblies are either 'factory fit' or available to qualified gunsmiths only.

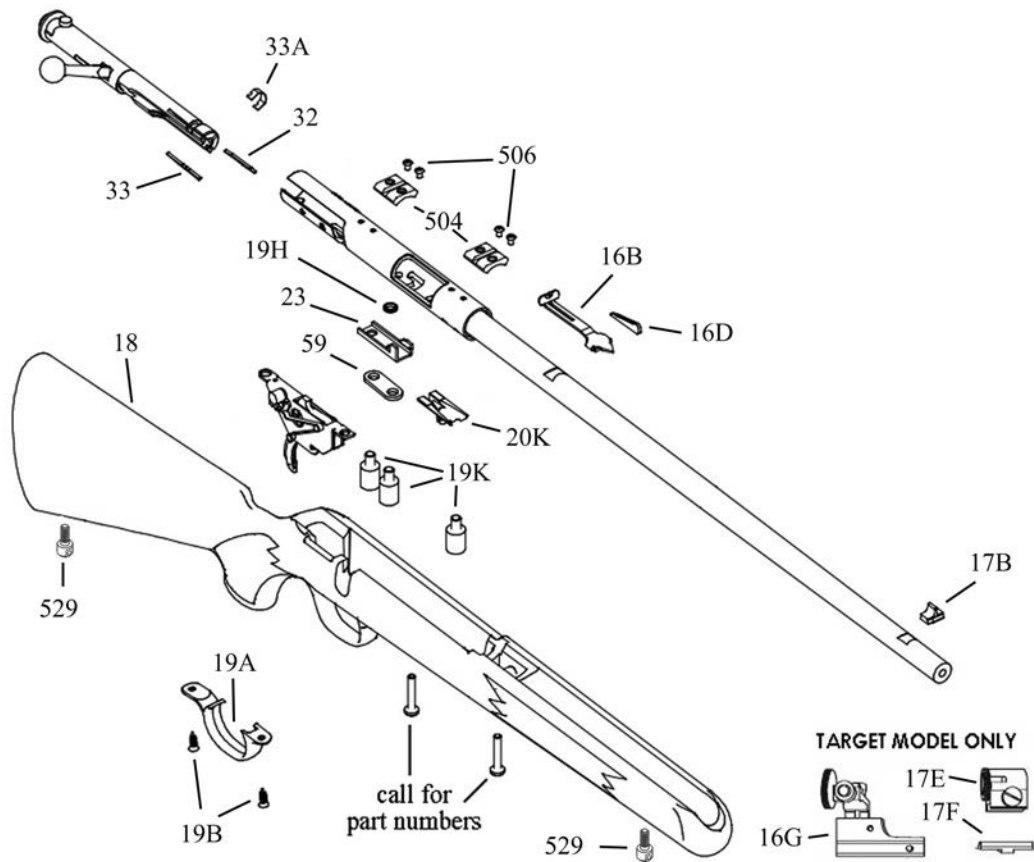
Please be advised that some parts may require fitting. Savage Arms bears no responsibility for the function or performance of any firearm that has been repaired or modified by other than Savage Arms Service Department. As such, Savage Arms accepts no responsibility/liability for any direct and/or consequential damage and/or injury resulting from the use of a firearm repaired or modified by other than the Savage Arms Service Department.

*QR Code for your Smartphone for
purchasing parts directly from our website –
no calls – no waiting – 24 hours a day.*



STORE.SAVAGEARMS.COM/PARTFINDER

MARK I

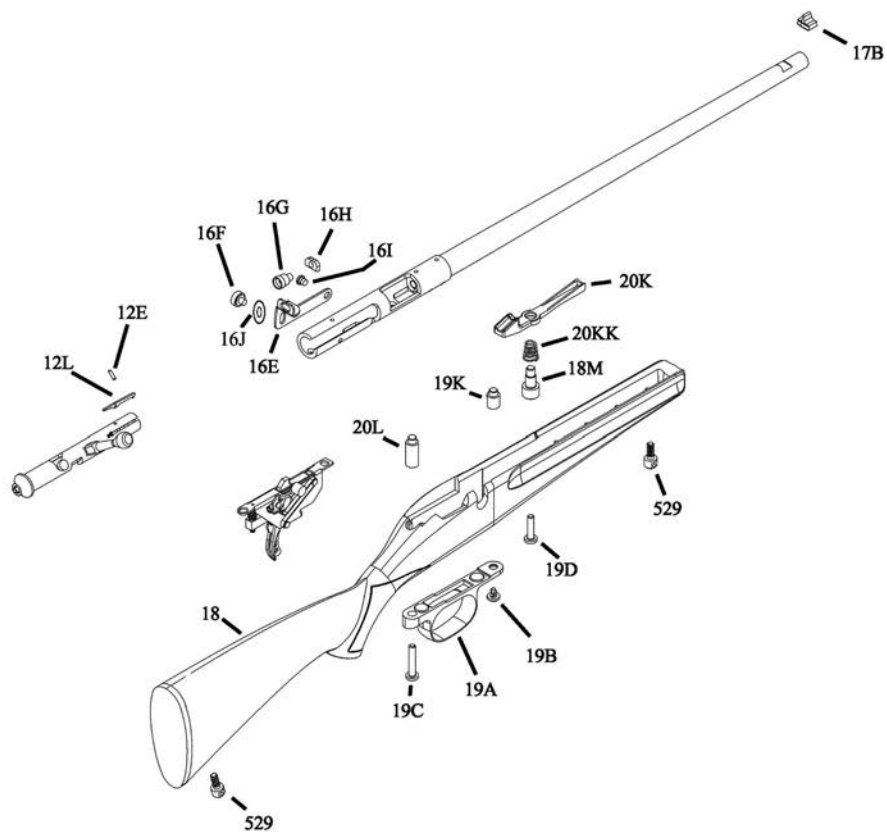


MARK I

| <i>Item #</i> | <i>Description</i> |
|----------------------|---------------------------|
| 16B | Rear sight assembly |
| 16D | Elevator |
| 16G | Rear Aperture |
| 17B | Front sight blade |
| 17E | Front Aperture |
| 17F | Front Aperture base |
| 18 | Stock assembly |
| 19A | Trigger guard |
| 19B | Trigger guard screw |
| 19H | Rear action screw washer |

| <i>Item #</i> | <i>Description</i> |
|----------------------|---------------------------|
| 19K | Action stud |
| 20K | Loading platform |
| 23 | Ejector |
| 32 | Cartridge guide |
| 33 | Extractor |
| 33A | Extractor spring clip |
| 59 | Filler plate |
| 504 | Scope base |
| 506 | Scope base screws |
| 529 | Swivel studs |

RASCAL



RASCAL

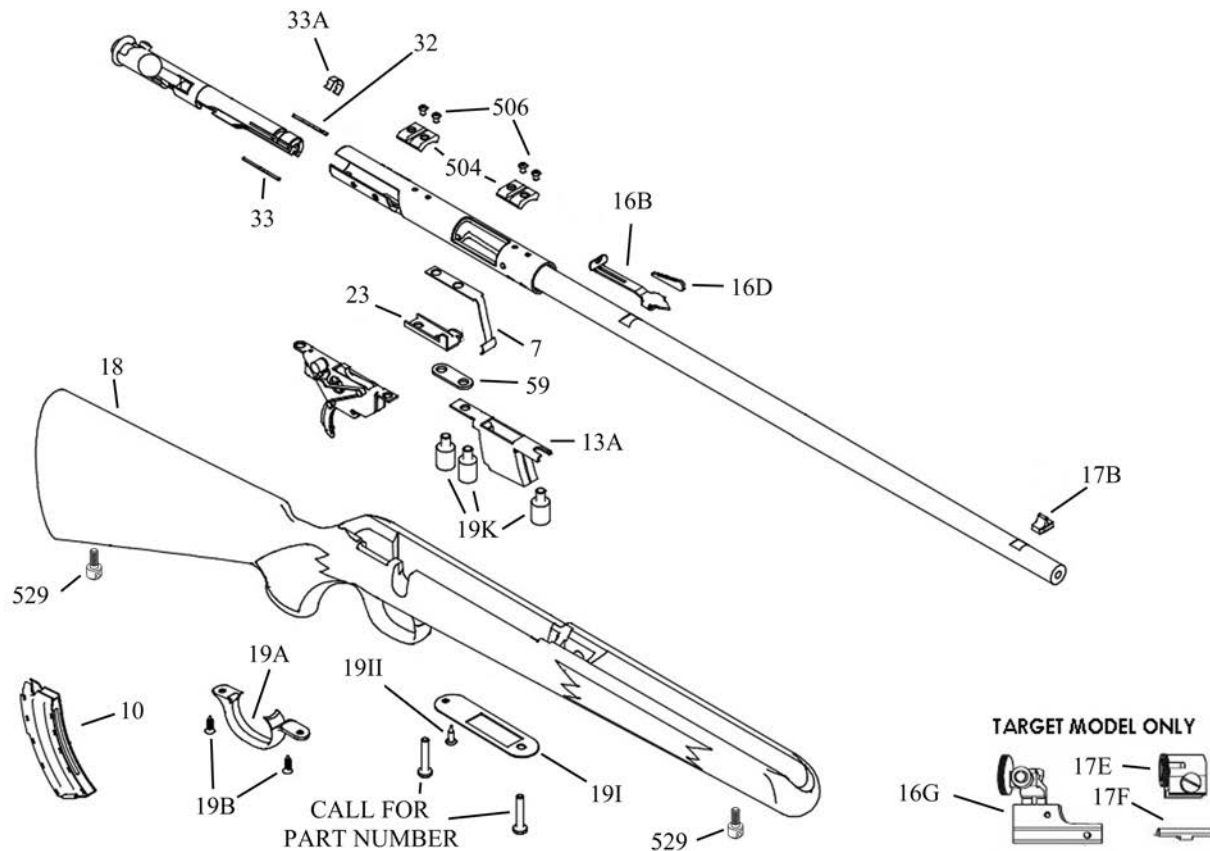
| <i>ITEM #</i> | <i>DESCRIPTION</i> |
|----------------------|---------------------------|
|----------------------|---------------------------|

| | |
|-----|--------------------------|
| 12E | Extractor pin |
| 12L | Extractor |
| 16E | Sight bracket |
| 16F | Rear sight locking screw |
| 16H | Aperture nut |
| 16G | Rear aperture |
| 16J | Rear sight lock washer |
| 16I | Rear sight pivot screw |
| 17B | Front sight blade |
| 18 | Stock assembly |

| <i>ITEM #</i> | <i>DESCRIPTION</i> |
|----------------------|---------------------------|
|----------------------|---------------------------|

| | |
|------|---|
| 18M | Front stud |
| 19A | Trigger guard |
| 19B | Trigger guard screw |
| 19C | Rear action screw |
| 19D | Front action screw/stock assembly screw |
| 19K | Stud, action (Rimfire) |
| 20K | Loading platform/feed ramp |
| 20KK | Feed ramp spring |
| 20L | Rear action screw stud/rear stud |
| 529 | Swivel studs |

MARK II

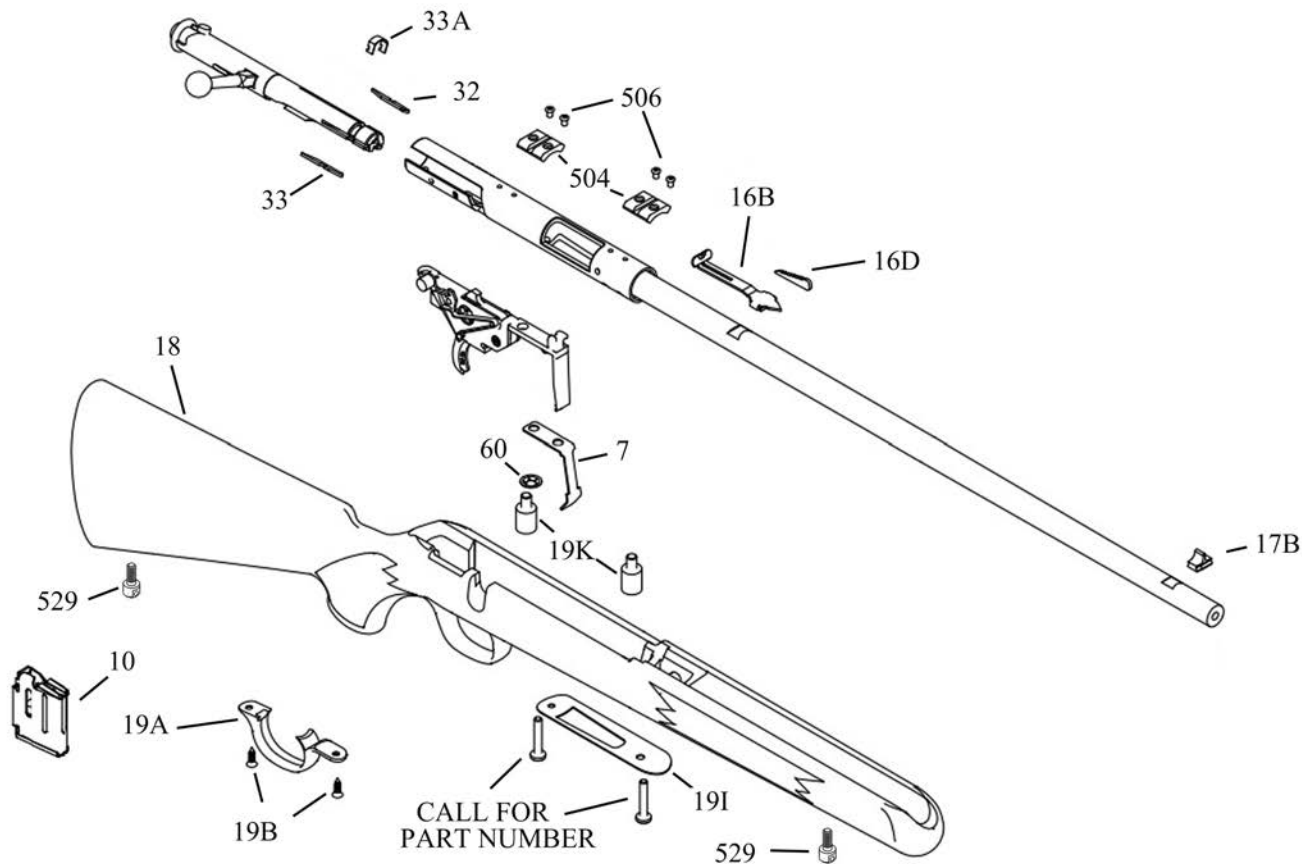


MARK II

| <i>ITEM #</i> | <i>DESCRIPTION</i> |
|----------------------|--------------------------------|
| 7 | Magazine retaining clip/spring |
| 10 | Detachable box magazine |
| 13A | Magazine frame |
| 16B | Rear sight assembly |
| 16D | Elevator |
| 16G | Rear Aperture |
| 17B | Front sight blade |
| 17E | Front Aperture |
| 17F | Front Aperture base |
| 18 | Stock assembly |
| 19A | Trigger guard |
| 19B | Trigger guard screw |

| <i>ITEM #</i> | <i>DESCRIPTION</i> |
|----------------------|---------------------------|
| 19I | Magazine plate |
| 19II | Magazine plate screw |
| 19K | Action stud |
| 23 | Ejector |
| 32 | Cartridge guide |
| 33 | Extractor |
| 33A | Extractor spring clip |
| 59 | Filler plate |
| 504 | Scope base |
| 506 | Scope base screws |
| 529 | Swivel studs |

MODEL 93



MODEL 93

| ITEM # | DESCRIPTION |
|---------------|--------------------------------|
| 7 | Magazine retaining clip/spring |
| 10 | Detachable box magazine |
| 16B | Rear sight assembly |
| 16D | Elevator |
| 17B | Front sight blade |
| 18 | Stock assembly |
| 19A | Trigger guard |
| 19B | Trigger guard screw |
| 19I | Magazine plate |

| ITEM # | DESCRIPTION |
|---------------|-----------------------|
| 19K | Action stud |
| 32 | Cartridge guide |
| 33 | Extractor |
| 33A | Extractor spring clip |
| 60 | Push nut washer |
| 504 | Scope base |
| 506 | Scope base screws |
| 529 | Swivel studs |

SECTION 7 – TWO POSITION SAFETY FOR THE B.MAG

THE SAVAGE B.MAG IS UNIQUE UNTO ITSELF AND INCORPORATES FEATURES THAT YOU MAY NOT BE FAMILIAR WITH. PLEASE BE SURE TO READ THESE SECTIONS CAREFULLY TO UNDERSTAND HOW THIS MODEL DIFFERS FROM OTHER SAVAGE MODELS.

PRIOR TO LOADING OR OPERATING, FAMILIARIZE YOURSELF THOROUGHLY WITH THESE OPERATING INSTRUCTIONS AND THE MAIN PARTS OF YOUR FIREARM.

YOUR GUN IS A MECHANICAL DEVICE WHICH WILL NOT LAST FOREVER AND IS SUBJECT TO WEAR. WHEN SOMETHING DOES NOT SOUND, FEEL, OR LOOK RIGHT, SEEK THE ADVICE OF A PROFESSIONAL GUNSMITH IMMEDIATELY. NEVER TAKE A CHANCE.

FAILURE TO OBEY A SAFETY WARNING MAY RESULT IN INJURY TO YOU OR OTHERS.

KNOW HOW TO LOCATE AND OPERATE THE SAFETY MECHANISM.

THOROUGHLY CLEAN THE INSIDE OF THE BARREL AND CHAMBER PRIOR TO LOADING WITH AMMUNITION.

THE USE OF RELOADS, HANDLOADS, MILITARY SURPLUS, OR ANY OTHER COMMERCIAL/ NONCOMMERCIAL AMMUNITION NOT MANUFACTURED TO

SAAMI (SPORTING ARMS AND AMMUNITION MANUFACTURERS' INSTITUTE, INC.)/ ANSI (AMERICAN NATIONAL STANDARDS INSTITUTE) SPECIFICATIONS WILL VOID THE WARRANTY.

ALWAYS BE SURE THE FIREARM (ESPECIALLY THE BARREL) IS FREE AND CLEAR OF ANY OBSTRUCTIONS THAT MAY RESTRICT (OR SLOW DOWN) THE BULLET FROM LEAVING THE MUZZLE AT ITS NORMAL RATE OF SPEED. THIS INCLUDES SNOW, WATER, BRUSH, SHRUBS, STICKS, LEAVES AND DEBRIS TO NAME A FEW. NEVER PLACE THE END OF A BARREL OR SUBMERGE A FIREARM UNDER WATER. RESTRICTING, SLOWING, OR STOPPING THE BULLET FROM LEAVING THE MUZZLE WILL CREATE AN EXCESSIVE AMOUNT OF PRESSURE TO BUILD UP BEHIND IT AND MAY LEAD TO EXTENSIVE DAMAGE TO THE FIREARM AND PERSONAL INJURY TO THE SHOOTER AND/OR BYSTANDERS. SAFE OPERATION IS YOUR RESPONSIBILITY AND CAN ONLY BE CONTROLLED BY YOU!

KNOW EXACTLY WHERE YOU ARE POINTING THE BARREL OF A FIREARM AND WHY!

IT IS SO IMPORTANT TO STRESS THAT A FIREARM IS NO MORE THAN AN ASSEMBLY OF MANY DIFFERENT COMPONENTS – A MECHANICAL DEVICE. AS SUCH, YOU ARE THE ONLY SAFETY MECHANISM THAT CAN PREVENT AN ACCIDENT.

The safety on your Savage Arms B.Mag has **Two positions:**

- **FULL SAFE** - Pull SAFETY button towards shooter (trigger blocked – bolt can be opened).
- **SAFETY OFF - READY TO FIRE.** Push SAFETY button away from shooter.

FULL SAFE

1. The SAFETY is in the *FULL SAFE* position when it has been moved fully rearward, covering the red "dot" (See FIGURE 19).
2. The SAFETY should be moved into the *FULL SAFE* position prior to closing the bolt when the firearm is loaded.
3. In the *FULL SAFE* position, the trigger is blocked from moving and the bolt can still be opened.



FIGURE 19

THE TRIGGER WILL NOT RESET IF THE SAFETY IS MOVED INTO THE FULL SAFE POSITION WHEN THE BOLT IS CLOSED AND

THE FIREARM UNCOCKED (FIRED). AFTER FIRING, LIFT THE BOLT HANDLE AND THEN SLIDE THE SAFETY INTO THE FULL SAFE POSITION.

BE SURE THE BOLT HANDLE OR CAP DOES NOT HIT THE SAFETY BUTTON WHEN PUSHING THE BOLT FORWARD/CLOSING THE BOLT (SEE FIGURE 20).



FIGURE 20

WHEN CARRYING A LOADED FIREARM, THE SAFETY MUST ALWAYS BE IN THE FULL SAFE POSITION.

THE ONLY TIME YOU CAN BE ABSOLUTELY CERTAIN THAT A GUN CANNOT FIRE IS WHEN THE ACTION IS OPEN AND IT IS COMPLETELY EMPTY OF AMMUNITION.

SAFETY OFF – READY TO FIRE

1. The SAFETY is in the OFF position when moved fully forward, exposing the red "dot" (see FIGURE 21).



FIGURE 21

NEVER TRANSPORT/CARRY A LOADED FIREARM WITH THE SAFETY OFF.

SECTION 8 – INSTALLING THE BOLT ASSEMBLY FOR THE B.MAG

BOLT ASSEMBLIES ARE SPECIFICALLY MATCHED TO A FIREARM. USING ANY OTHER BOLT ASSEMBLY MAY CAUSE EXTENSIVE DAMAGE TO THE FIREARM AND/OR SERIOUS INJURY TO THE SHOOTER OR BYSTANDER.

CERTAIN FIREARMS ARE SHIPPED WITH THE BOLT REMOVED AND PACKED IN A SEPARATE COMPARTMENT WITHIN THE BOX. BEFORE INSTALLING THE BOLT, VERIFY THAT THE 4 DIGITS ENGRAVED ON THE SIDE MATCH THE LAST 4 DIGITS OF THE SERIAL NUMBER ON THE RECEIVER.

BE SURE THERE IS NO AMMUNITION IN EITHER THE CHAMBER OR MAGAZINE.

1. Rotate the BOLT HANDLE (if necessary) so it sits at the 11:00 o'clock position as shown in FIGURE 22.
2. **WITH NO AMMUNITION IN THE FIREARM,** insert the BOLT and push it forward into the receiver.

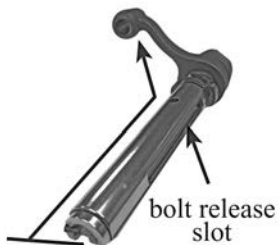


FIGURE 22

3. The BOLT RELEASE SLOT should align with the BOLT RELEASE SLOT on the receiver (see FIGURE 23).

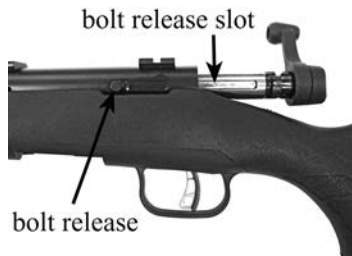


FIGURE 23

4. Cycle the bolt several times to be sure the travel is smooth and the BOLT RELEASE keeps it from coming out of the back of the receiver.
5. Push the bolt fully forward, close the BOLT HANDLE (pushing downward), and verify that

the **TWO POSITION SAFETY** is operational as explained in SECTION 7 of this manual.

AS MENTIONED PREVIOUSLY, THE SAVAGE B.MAG IS UNIQUE UNTO ITSELF. UNLIKE THE OTHER RIMFIRES IN THIS MANUAL, THE B.MAG COCKS THE MAINSPRING WHEN THE BOLT HANDLE IS CLOSED – RESULTING IN A ‘STIFFER FEEL’ WHEN PUSHING THE BOLT HANDLE DOWNWARD.

YOUR GUN IS A MECHANICAL DEVICE WHICH WILL NOT LAST FOREVER AND IS SUBJECT TO WEAR. WHEN SOMETHING DOES NOT SOUND, FEEL, OR LOOK RIGHT, SEEK THE ADVICE OF A PROFESSIONAL GUNSMITH IMMEDIATELY. NEVER TAKE A CHANCE!

SECTION 9 – BASIC USE FOR THE B.MAG

FIREARMS SHOULD BE LOADED ONLY WHEN YOU ARE IN THE FIELD, ON THE TARGET RANGE, OR AT A SHOOTING AREA READY TO SHOOT.

ALWAYS KEEP THE MUZZLE POINTED IN A SAFE DIRECTION.

USE ONLY THE CORRECT AMMUNITION THAT IS INDICATED (STAMPED) ON THE TOP OF THE BARREL.

THOROUGHLY CLEAN THE INSIDE OF THE BARREL AND CHAMBER PRIOR TO LOADING WITH AMMUNITION.

ALWAYS BE SURE THE FIREARM (ESPECIALLY THE BARREL) IS FREE AND CLEAR OF ANY OBSTRUCTIONS THAT MAY RESTRICT (OR SLOW DOWN) THE BULLET FROM LEAVING THE MUZZLE AT ITS NORMAL RATE OF SPEED. THIS INCLUDES SNOW, WATER, BRUSH, SHRUBS, STICKS, LEAVES AND DEBRIS TO NAME A FEW. NEVER PLACE THE END OF A BARREL OR SUBMERGE A FIREARM UNDER WATER. RESTRICTING, SLOWING, OR STOPPING THE BULLET FROM LEAVING THE MUZZLE WILL CREATE AN EXCESSIVE AMOUNT OF PRESSURE TO BUILD UP BEHIND IT AND MAY LEAD TO EXTENSIVE DAMAGE TO THE FIREARM AND PERSONAL INJURY TO THE SHOOTER AND/OR BYSTANDERS. SAFE OPERATION IS YOUR RESPONSIBILITY AND CAN ONLY BE CONTROLLED BY YOU!

THE USE OF RELOADS, HANDLOADS, MILITARY SURPLUS, OR ANY OTHER COMMERCIAL/ NONCOMMERCIAL AMMUNITION NOT MANUFACTURED TO SAAMI (SPORTING ARMS AND AMMUNITION MANUFACTURERS' INSTITUTE, INC.)/ANSI (AMERICAN NATIONAL STANDARDS INSTITUTE) SPECIFICATIONS WILL VOID THE WARRANTY.

AMMUNITION IS A CRITICAL FACTOR IN THE RELIABLE PERFORMANCE OF YOUR FIREARM. DUE TO THE MANY TYPES OF COMMERCIALLY AVAILABLE AMMUNITION AND THE MILLIONS OF ROUNDS PRODUCED EVERY YEAR, IT IS POSSIBLE TO OCCASIONALLY EXPERIENCE AMMUNITION RELATED PROBLEMS. SHOULD YOU NOTICE WHAT APPEARS TO BE GAS PRESSURE/RESIDUAL POWDER COMING FROM THE BOLT AREA, THIS MAY BE WHAT IS KNOWN AS "BLOW BACK". ALTHOUGH WEARING SAFETY GLASSES WILL PROTECT YOUR EYES, WE RECOMMEND TRYING A DIFFERENT BRAND OF AMMUNITION IN ORDER TO CORRECT THE SITUATION.

KNOW YOUR GUN! IF ANYTHING 'FEELS' OR SOUNDS DIFFERENT WHEN LOADING OR SHOOTING - STOP - AND HAVE A QUALIFIED GUNSMITH TAKE A LOOK! NEVER TAKE A CHANCE WITH SOMETHING THAT YOU ARE UNSURE OF ... ALWAYS ASK A PROFESSIONAL.

LOADING

ALWAYS KEEP THE MUZZLE POINTED IN A SAFE DIRECTION.

DUE TO THE SHORTER LENGTH AND SHAPE OF A HOLLOW POINT BULLET, ADDITIONAL CARE MUST BE TAKEN TO BE SURE THE CARTRIDGE HAS BEEN PUSHED FULLY TO THE REAR OF THE MAGAZINE. IF FEEDING ISSUES ARISE WITH HOLLOW POINT AMMUNITION, TRY RELOADING THE MAGAZINE AGAIN, ASSURING THE CARTRIDGES ARE SEATED FULLY REARWARD.

THE TRIGGER WILL NOT RESET IF THE SAFETY IS MOVED INTO THE FULL SAFE POSITION WHEN THE BOLT IS CLOSED AND THE FIREARM UNCOCKED (FIRED). AFTER FIRING, LIFT THE BOLT HANDLE AND THEN SLIDE THE SAFETY INTO THE FULL SAFE POSITION.

1. **With the muzzle pointed in a safe direction,** move the SAFETY fully rearward to the FULL SAFE position.
2. Lift the bolt handle up and fully rearward.
3. With one hand ready to catch the removable magazine, use the other hand to support the firearm and depress the latch at the front of the magazine, ejecting the magazine into your hand (see FIGURE 24).

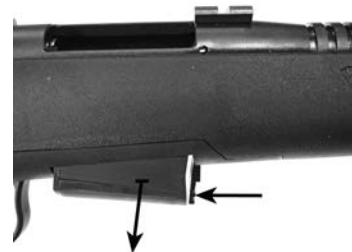


FIGURE 24

4. Look and feel to be sure there are no cartridges in the chamber.
5. Load the correct caliber cartridges (as stamped on the top of the barrel) into the detachable magazine by pressing downward then back (see FIGURE 25), filling the magazine to capacity (see SECTION 12).

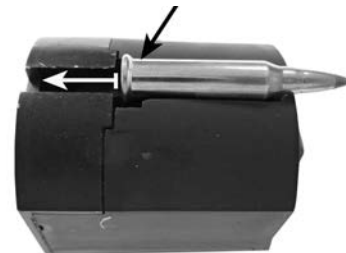


FIGURE 25

6. Insert the detachable magazine into the stock opening, pressing upward until the latch snaps into position and is fully engaged.

7. Moving the bolt handle forward and down will push the first cartridge from the magazine into the chamber.

WHEN THE BOLT IS FULLY CLOSED, A LIVE CARTRIDGE WILL BE IN THE CHAMBER. ALWAYS KEEP THE MUZZLE POINTED IN A SAFE DIRECTION.

FIRING

SAVAGE ARMS OFFERS CERTAIN MODEL FIREARMS WITH AN ACCUTRIGGER - A SPECIALLY DESIGNED USER ADJUSTABLE TRIGGER. IT IS THE SOLE RESPONSIBILITY OF THE SHOOTER TO EXERCISE EXTREME CARE WHILE ADJUSTING/HANDLING THESE FIREARMS. SAVAGE ARMS ACCEPTS NO RESPONSIBILITY/ LIABILITY FOR ANY DIRECT AND/OR CONSEQUENTIAL DAMAGE AND/OR INJURY RESULTING FROM THE MISUSE AND/OR MISHANDLING OF A FIREARM. AS WITH ANY PRECISION TUNED MECHANICAL DEVICE, PERIODIC INSPECTION/MAINTENANCE IS REQUIRED – AND YOUR RESPONSIBILITY!

WITH SAFETY AS OUR PRIMARY CONCERN, THE ACCUTRIGGER DESIGN REQUIRES THE SHOOTER TO PLACE THEIR FINGER SQUARELY OVER THE ACCURELEASE (SEE FIGURE 26 AND FIGURE 27).



FIGURE 26



FIGURE 27

PULLING THE TRIGGER FROM THE SIDE OR NOT DIRECTLY REARWARD (SEE FIGURE 28) WILL CAUSE THE SEAR TO DISENGAGE AND BE BLOCKED BY THE ACCURELEASE.



FIGURE 28

ALTHOUGH A 'CLICK' MAY BE HEARD, THE SEAR IS BLOCKED, PREVENTING THE FIRING PIN FROM HITTING THE PRIMER. WHEN THIS HAPPENS, THE BOLT MUST BE RAISED AND LOWERED TO 'RECOCK' THE FIREARM.

THE ONLY TIME YOU CAN BE ABSOLUTELY CERTAIN THAT A GUN CANNOT FIRE IS WHEN THE ACTION IS OPEN AND IT IS COMPLETELY EMPTY OF AMMUNITION.

NEVER TOUCH THE TRIGGER ON A FIREARM UNTIL YOU ACTUALLY INTEND TO SHOOT.

NEVER POINT YOUR GUN AT ANYTHING YOU DO NOT INTEND TO SHOOT.

ALWAYS KEEP THE MUZZLE POINTED IN SAFE A DIRECTION.

DO NOT MOVE THE SAFETY FORWARD TO THE SAFETY OFF – READY TO FIRE POSITION UNTIL YOU ARE READY TO SHOOT.

ALWAYS WEAR EYE AND EAR PROTECTION.

1. Keep your finger off the trigger and out of the trigger guard until you are ready to shoot.
2. Always look carefully around to be sure that no one will cross in front of you when you are ready to shoot.
3. Place the firearm to your shoulder and move the SAFETY forward to the SAFETY OFF – READY TO FIRE position and take aim.
4. Place your finger in the trigger guard and when you are on target, squarely over the AccuRelease. Squeeze the trigger slowly.

PULLING THE TRIGGER FROM THE SIDE OR NOT DIRECTLY REARWARD WILL CAUSE THE SEAR TO DISENGAGE AND BE BLOCKED BY THE ACCURELEASE. ALTHOUGH A 'CLICK' MAY BE HEARD, THE SEAR IS BLOCKED, PREVENTING THE FIRING PIN FROM HITTING THE PRIMER. WHEN THIS HAPPENS, THE BOLT MUST BE RAISED AND LOWERED TO 'RECOCK' THE FIREARM.

NO ONE CAN CALL A BULLET BACK.

5. Pull up and fully rearward on the bolt handle to open the bolt to extract the fired case.
6. Moving the bolt handle forward will push the next cartridge from the magazine into the chamber (detachable magazine only).
7. Move the SAFETY fully rearward to the FULL SAFE position.
8. With the BOLT fully forward, push the BOLT HANDLE down, repeating steps 1 through 7 until the magazine and chamber are empty.

ALWAYS KEEP THE MUZZLE POINTED IN A SAFE DIRECTION.

LOOK AND FEEL! BE SURE THE CHAMBER AND LOADING PLATFORM ARE COMPLETELY EMPTY -- DO NOT ASSUME!

UNLOADING

KEEP YOUR FINGERS AWAY FROM THE TRIGGER.

KEEP THE MUZZLE POINTED IN A SAFE DIRECTION.

1. **With the muzzle pointed in a safe direction,** your finger completely away from the trigger and out of the trigger guard, move the SAFETY fully rearward to the FULL SAFE position.
2. With one hand prepared to catch the detachable magazine, pull the latch at the rear of the magazine, ejecting the magazine into your hand (see FIGURE 24).
3. Placing one hand over the ejection port, your finger completely away from the trigger and out of the trigger guard, slowly lift the bolt handle and pull fully rearward to extract the cartridge (if there is one) from the chamber.

LOOK AND FEEL! BE SURE THE CHAMBER AND MAGAZINE ARE COMPLETELY EMPTY - DO NOT ASSUME!

A LOADED GUN HAS NO PLACE IN OR NEAR A CAR, TRUCK OR BUILDING.

SECTION 10 – ACCUTRIGGER ADJUSTMENT FOR THE B.MAG

WITH SAFETY AS OUR PRIMARY CONCERN, THE ACCUTRIGGER DESIGN REQUIRES THE SHOOTER TO PLACE THEIR FINGER SQUARELY OVER THE ACCURELEASE. PULLING THE TRIGGER FROM THE SIDE OR NOT DIRECTLY REARWARD WILL CAUSE THE SEAR TO DISENGAGE AND BE BLOCKED BY THE ACCURELEASE. ALTHOUGH A 'CLICK' MAY BE HEARD, THE SEAR IS BLOCKED, PREVENTING THE FIRING PIN FROM HITTING THE PRIMER. WHEN THIS HAPPENS, THE BOLT MUST BE RAISED AND LOWERED TO 'RECOCK' THE FIREARM.

KNOW YOUR GUN! IF ANYTHING 'FEELS' OR SOUNDS DIFFERENT WHEN LOADING OR SHOOTING - STOP - AND HAVE A QUALIFIED GUNSMITH TAKE A LOOK! NEVER TAKE A CHANCE WITH SOMETHING THAT YOU ARE UNSURE OF... ALWAYS ASK A PROFESSIONAL.

SAFE OWNERSHIP IS YOUR RESPONSIBILITY. PRIOR TO ADJUSTING THE ACCUTRIGGER PLEASE THOROUGHLY READ AND UNDERSTAND THE INSTRUCTION MANUAL IN ITS ENTIRETY.

BE SURE THE BOLT IS OPEN AND THERE IS NO LIVE AMMUNITION IN EITHER THE CHAMBER OR DETACHABLE MAGAZINE BEFORE ADJUSTING THE ACCUTRIGGER.

ADJUSTING THE ACCUTRIGGER DOES NOT REQUIRE THE STOCK TO BE REMOVED.

REMOVING THE STOCK

1. Remove the detachable magazine (see FIGURE 24).

THE ONLY TIME YOU CAN BE ABSOLUTELY CERTAIN THAT A GUN CANNOT FIRE IS WHEN THE ACTION IS OPEN AND IT IS COMPLETELY EMPTY OF AMMUNITION.

2. Lift the bolt handle up and fully rearward.
3. Look and feel to be sure the chamber is empty.
4. Turn the firearm upside down, with the muzzle pointed away from you.

SYNTHETIC STOCK:

1. Using a flat blade screwdriver, insert the end into the slot shown in FIGURE 29.



FIGURE 29

2. Carefully push the screwdriver into the slot, applying pressure to the retaining tab. When enough pressure has been applied, the front of the TRIGGER GUARD will unlatch and pop

slightly upward.

3. The TRIGGER GUARD can now be grabbed with your fingers and removed from the stock (see FIGURE 30).

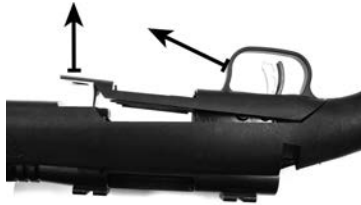


FIGURE 30

4. Using a 5/32" Allen wrench, loosen and remove the two screws securing the stock (see FIGURE 31).



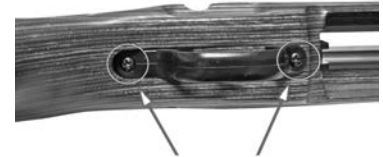
FIGURE 31

UNLIKE OTHER MODELS, THESE ARE 'CAPTURED SCREWS' AND THREADED INTO THE PILLARS. THERE IS NO REASON TO

UNTHREAD THEM FROM THE PILLARS ONCE THEY ARE LOOSE FROM THE RECEIVER.

LAMINATED STOCK:

1. Using a Phillips Head screwdriver, carefully remove the two screws holding the TRIGGER GUARD to the STOCK (see FIGURE 32).



trigger guard retaining screws

FIGURE 32

2. Using a 5/32" Allen wrench, loosen and remove the two screws securing the stock (see FIGURE 33).



stock securing screws

FIGURE 33

UNLIKE OTHER MODELS, THESE ARE 'CAPTURED SCREWS' AND THREADED INTO THE PILLARS. THERE IS NO REASON TO UNTHREAD THEM FROM THE PILLARS ONCE THEY ARE LOOSE FROM THE RECEIVER.

3. Slide the stock rearward to clear the ACCUTRIGGER ADJUSTING SCREW and then lift it off the action.

ADJUSTING THE ACCUTRIGGER

1. To adjust towards the higher range of pull (approximately 4 pounds), lift and turn the ACCUTRIGGER ADJUSTING SCREW clockwise – with the firearm upside down and barrel pointing to the right (see FIGURE 34).

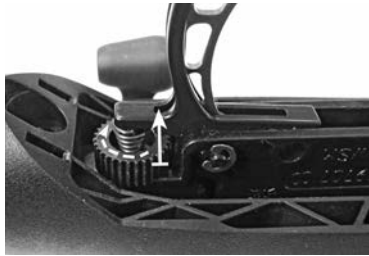


FIGURE 34

2. To adjust towards the lower range of pull (approximately 2 1/2 pounds), lift and turn the ACCUTRIGGER ADJUSTING SCREW counterclockwise – with the firearm upside down and barrel pointing to the right (see FIGURE 35).

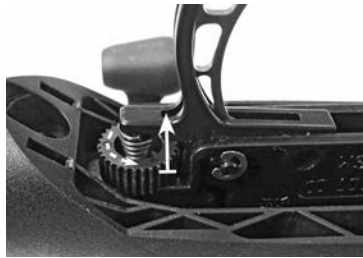


FIGURE 35

THE SPRING SHOULD NOT BE FORCED BEYOND THESE LIMITS.

EXCESSIVE JARRING OR PULLING THE TRIGGER WITHOUT DEPRESSING THE ACCURELEASE MAY CAUSE THE SEAR TO MOVE. AS DESIGNED, THE ACCURELEASE WILL PREVENT ACCIDENTAL DISCHARGE WHEN MAINTAINED AND REGULARLY SERVICED. WHEN THE SEAR IS BLOCKED BY THE ACCURELEASE, THE INTERNAL HAMMER IS RESTRAINED WITHIN THE BOLT ASSEMBLY. THE 'CLICK' THAT IS HEARD IS THE ACTUAL SEAR BEING BLOCKED BY THE ACCURELEASE AND NOT THE FIRING PIN BEING RELEASED! IN THIS EVENT, THE BOLT MUST BE RECOCKED IN ORDER TO RESET THE SEAR.

WITH ANY MECHANICAL DEVICE, SURFACES WILL WEAR WITH USE. KNOW YOUR GUN! IF ANYTHING 'FEELS' OR SOUNDS DIFFERENT - STOP - AND HAVE A QUALIFIED GUNSMITH TAKE A LOOK! NEVER TAKE A CHANCE WITH SOMETHING THAT YOU ARE UNSURE

OF...ALWAYS ASK A PROFESSIONAL.

INSTALLING THE STOCK

1. Place the action into the stock being careful to clear the ACCUTRIGGER ADJUSTING SCREW.
2. Replace both screws, tightening the front action screw first to approximately 40 inch pounds and then the rear to the same amount.
3. Install the TRIGGER GUARD.

LAMINATED STOCK - ONLY TIGHTEN THE TRIGGER GUARD RETAINING SCREWS FINGER TIGHT. OVERTIGHTENING THESE MAY DAMAGE THE STOCK OR TRIGGER GUARD.

4. Cycle the bolt several times to be sure that it functions properly.
5. With the chamber and detachable magazine empty, the bolt open, and the muzzle pointed in a safe direction, verify that **both positions of the SAFETY function normally.** With the SAFETY in the FULL SAFE position, the trigger should have no movement when pulled.

SAFE OWNERSHIP IS YOUR RESPONSIBILITY!

WHEN SOMETHING DOES NOT SOUND, FEEL, OR LOOK RIGHT, SEEK THE ADVICE OF A PROFESSIONAL GUNSMITH IMMEDIATELY. NEVER TAKE A CHANCE!

SECTION 11 – PARTS LIST AND DIAGRAM FOR THE B.MAG

As a 'customer driven' company, some parts may now be ordered directly from our web site (within the continental United States) twenty four hours a day, needing only your serial number and credit card. From your computer, simply go to our website (WWW.SAVAGEARMS.COM), select the STORE tab (upper right portion of the screen) and then PARTFINDER from the drop down menu. For accessing our part finder via your Smartphone, please use the QR Code below. Should you not have access to our web site, parts can be ordered directly from Savage Arms [413-568-7001] between the hours of 9:00am and 4:00pm (Eastern Time). There is a minimum order and please allow 2 weeks for delivery. Only the parts indicated may be purchased by an individual. All other parts/subassemblies are either 'factory fit' or available to qualified gunsmiths only.

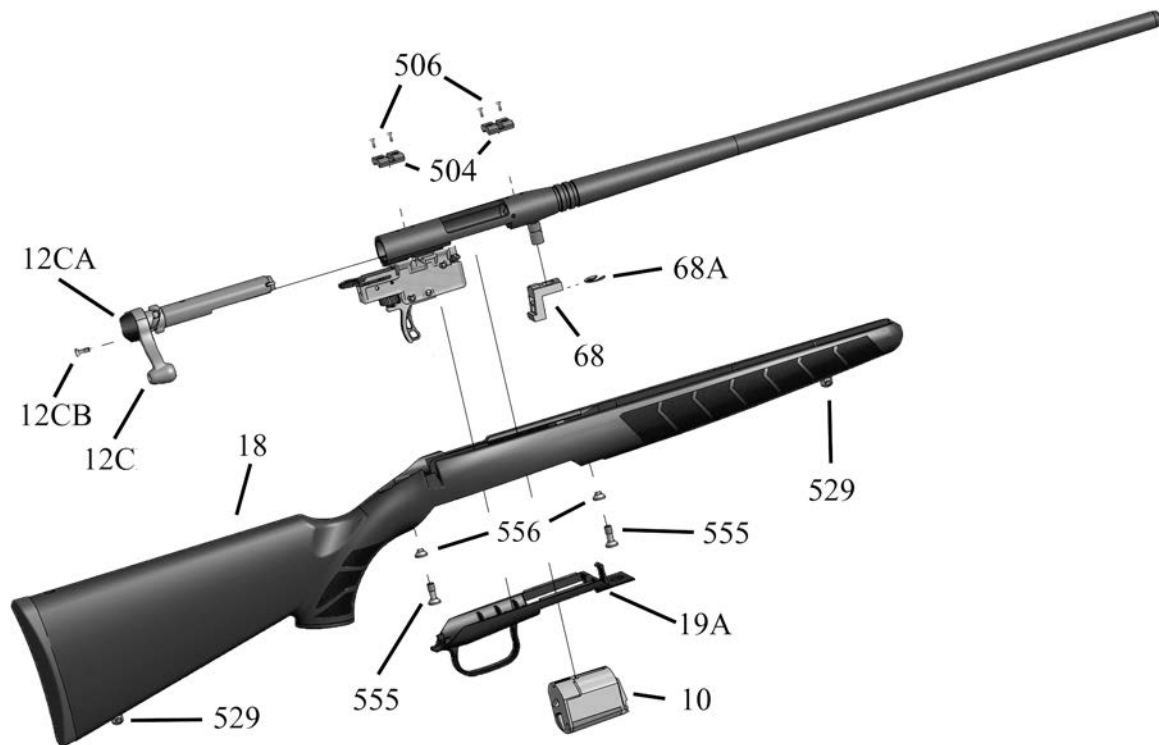
Please be advised that some parts may require fitting. Savage Arms bears no responsibility for the function or performance of any firearm that has been repaired or modified by other than Savage Arms Service Department. As such, Savage Arms accepts no responsibility/liability for any direct and/or consequential damage and/or injury resulting from the use of a firearm repaired or modified by other than the Savage Arms Service Department.

*QR Code for your Smartphone for
purchasing parts directly from our website –
no calls – no waiting – 24 hours a day.*



STORE.SAVAGEARMS.COM/PARTFINDER

B.MAG



B.MAG

| ITEM # | DESCRIPTION |
|---------------|-----------------------|
| 10 | Magazine assembly |
| 12C | Bolt handle |
| 12CA | Bolt handle cap |
| 12CB | Bolt handle cap screw |
| 18 | Stock assembly |
| 19A | Trigger guard |
| 68 | Front magazine mount |

| ITEM # | DESCRIPTION |
|---------------|-----------------------------|
| 68A | Front magazine mount e-clip |
| 504 | Scope base |
| 506 | Scope base screws |
| 529 | Swivel studs |
| 555 | Action screws |
| 556 | Stock pillars |

SECTION 12 – AMMUNITION BULLET WEIGHTS / MAGAZINE CAPACITIES

Bullet specifications and trajectories are available directly from the ammunition manufacturer.

The following table lists the bullet weights used for targeting evaluation at Savage Arms.

Performance may vary based on brand/type of ammunition, individual characteristics of the firearm, and/or shooting conditions.

USE ONLY THE CORRECT AMMUNITION THAT IS STAMPED ON THE TOP OF THE BARREL.

THE USE OF RELOADS, HANDLOADS, MILITARY SURPLUS, OR ANY OTHER COMMERCIAL / NONCOMMERCIAL AMMUNITION NOT MANUFACTURED TO SAAMI (SPORTING ARMS AND AMMUNITION MANUFACTURERS' INSTITUTE, INC.)/ ANSI (AMERICAN NATIONAL STANDARDS INSTITUTE) SPECIFICATIONS WILL VOID THE WARRANTY.

| Caliber | Bullet Weight (Grains) |
|--|--|
| .22 Long Rifle | Federal Gold Medal Ultra Match 40 grain solid lead |
| .22 Magnum | Federal 50 grain jacketed hollow point |
| .17 HMR | Hornady 20 grain XTP |
| .17 Mach II | CCI 17 grain V-Max |
| .17 Winchester Super Magnum (B.Mag only) | Winchester 20 grain V-Max |

| Model | Detachable Magazine Capacity |
|----------|--|
| Rascal | single shot |
| Mark I | single shot |
| Mark II | 5 shot detachable magazine 7 shot detachable magazine 10 shot detachable magazine |
| Model 93 | 5 shot detachable magazine 7 shot detachable magazine 10 shot detachable magazine |
| B.Mag | 8 shot detachable magazine ^(17 Winchester Super Magnum only) 10 shot detachable magazine |

SECTION 13 – RINGS AND BASES FOR MOUNTING A SCOPE

The following companies manufacture RINGS that may be used with this style base or their own design.

The manufacturers listed below should be contacted for specific part numbers and information.

| | |
|--|--|
| B-SQUARE 13386 International Pkwy Jacksonville, FL 32218 www.b-square.com | BURRIS 920 54th Avenue Greeley, CO 80634 www.burrisoptics.com |
| EVOLUTION GUN WORKS (EGW) 48 Belmont Avenue Quakertown, PA 18951 www.egwguns.com | KWIK-SITE 5555 Treadwell Wayne, MI 48184 www.kwiksitecorp.com |
| LEATHERWOOD /HI-LUX OPTICS 3135 Kashiwa Street Torrance, CA 90505 www.leatherwoodoptics.com | LEUPOLD 14400 NW Greenbrier Pkwy Beaverton, OR 97006 www.leupold.com |
| MILLETT 9200 Cody Overland Park, KS 66214 www.milletsights.com | WARNE SCOPE MOUNTS 9500 SW Tualatin Tualatin, OR 97062 www.warnescopemounts.com |
| WEAVER MOUNTS N5549 County Trunk Z Onalaska, WI 54650 www.weaver-mounts.com | |

SECTION 14 – MAINTENANCE

ROUTINE MAINTENANCE:

YOUR GUN IS A MECHANICAL DEVICE WHICH WILL NOT LAST FOREVER AND IS SUBJECT TO WEAR. AS WITH ANY PRECISION TUNED MECHANICAL DEVICE, PERIODIC INSPECTION/ MAINTENANCE IS REQUIRED – AND YOUR RESPONSIBILITY!

1. TIMEFRAMES: It is difficult to establish a time period or number of rounds as the basis for when a firearm should be examined, cleaned, and thoroughly inspected. Different shooting conditions, weather patterns, and types of ammunition, to list a few, all play a significant role in answering the questions 'when' and 'how often'. As a general rule, 'more often' is much safer than 'not enough'.
 - As a start, the TWO POSITION SAFETY should be checked prior to loading live ammunition. ***BE SURE THE BOLT HANDLE OR CAP DOES NOT HIT THE SAFETY WHEN CLOSING THE BOLT (SEE FIGURE 20).*** This is an important step that should be done ***every time*** the firearm is prepared for use.
 - Remove the bolt, look down the barrel to be sure it is clear of any obstruction and that there are no signs of damage (nicks, scratches, etc.), rust, or pitting.
 - Check the outer surface of the barrel, running your fingers gently down its length, feeling for any bulges or signs of damage.
 - While the bolt is out, inspect the bolt head, extractor, and all other surfaces for signs of

damage or excessive wear.

- With the stock removed, carefully inspect the AccuTrigger and adjustment spring for damage or foreign debris (twigs, grass, etc.).
 - Carefully examine the stock and studs that secure the carrying strap.
 - Check the scope rings to be sure they have not loosened.
 - After the stock has been put back on, verify the action screws are tight.
2. WHO SHOULD DO THE CHECKING: As the owner – or user – it is your primary responsibility to assure the firearm is safe prior to using it. Although we know its condition when it leaves the factory, we have no control or insight as to what has or has not been done once it leaves our hands.

After reading and understanding this INSTRUCTION MANUAL – and ***prior to*** loading with live ammunition - you should be very familiar and capable of handling the items noted above. In depth mechanical issues or questions as well as periodic examinations should be referred to a qualified gunsmith or Savage Arms Service Department. Mechanical devices will be the nature of their design, wear and as such may require very specific adjustments. In the wrong hands, a 'simple' adjustment could result in serious damage to the firearm or even worse, injury or death to the shooter or bystander.

KNOW YOUR GUN! IF ANYTHING 'FEELS' OR SOUNDS DIFFERENT - STOP - AND HAVE A QUALIFIED GUNSMITH TAKE A LOOK! NEVER TAKE A CHANCE WITH SOMETHING THAT YOU ARE UNSURE OF ... ALWAYS ASK

A PROFESSIONAL.

CLEANING AND CARE OF YOUR FIREARM

BOLT ASSEMBLIES ARE SPECIFICALLY MATCHED TO A FIREARM. USING ANY OTHER BOLT ASSEMBLY MAY CAUSE EXTENSIVE DAMAGE TO THE FIREARM AND/OR SERIOUS INJURY TO THE SHOOTER OR BYSTANDER.

DISASSEMBLE ONLY ONE FIREARM AT A TIME TO AVOID INTERCHANGING COMPONENTS.

LOOK AND FEEL! BE SURE THE CHAMBER AND MAGAZINE ARE COMPLETELY EMPTY -- DO NOT ASSUME!!!

NEVER ATTEMPT TO DISASSEMBLE, CLEAN, OR OIL A LOADED FIREARM!

BE SURE TO READ AND UNDERSTAND ALL OF THE CAUTIONS AND WARNINGS ON ALL SOLVENTS AND CHEMICALS PRIOR TO USE. FOLLOW THE MANUFACTURER'S INSTRUCTIONS FOR BEST CLEANING RESULTS.

1. Prepare an area for cleaning the firearm with a suitable surface, adequate ventilation, correct caliber cleaning rod, brush, patches, powder solvent, and oil.
2. Remove the bolt.
3. Lay the firearm horizontally with the ejection port facing down.

ALWAYS STARTING FROM THE CHAMBER END, PUSH THE CLEANING ROD THROUGH

THE BORE AND OUT THE MUZZLE END.

4. Using a small amount of powder solvent on the brush, push the cleaning rod through the barrel several times.
5. Unscrew the brush from the cleaning rod and replace it with a patch tip.
6. Push a new patch through the bore starting from the chamber end and out the muzzle.
7. Repeat the prior step (# 6) several times.
8. Push a new patch saturated with gun oil through the bore.
9. Push a new dry patch through the bore to remove the excess oil.
10. When done, always verify that the "TWO POSITION SAFETY" is operational as explained in SECTION 2 and SECTION 7.

CHECK THE BORE CAREFULLY WHEN DONE TO BE SURE THERE ARE NO OBSTRUCTIONS (I.E. PIECES OF CLEANING PATCH, ETC.).

A VERY THIN FILM OF OIL IS SUFFICIENT PROTECTION – DO NOT OVER OIL!!!

FAILURE TO PROPERLY MAINTAIN YOUR FIREARM MAY LEAD TO DAMAGE AND/OR SERIOUS INJURY TO THE SHOOTER OR BYSTANDER.

PROTECTING METAL SURFACES

1. In order to be able to reach all surfaces, remove the bolt prior to cleaning and oiling.
2. With a soft cloth, remove any foreign matter (i.e. mud, twigs, grass).

3. Apply a thin coat of gun oil on all cleaned metal surfaces. Rubbing may be necessary to remove any signs of rust.
4. Where accessible, clean and lightly oil interior metal surfaces.
5. When done, always verify that the "TWO POSITION SAFETY" is operational as explained in SECTION 2 and SECTION 7.

DO NOT DISASSEMBLE THE BOLT ASSEMBLY.

CHECK THE BORE CAREFULLY WHEN DONE TO BE SURE THERE ARE NO OBSTRUCTIONS (I.E. PIECES OF CLEANING PATCH, ETC.).

SECTION 15 – STATEMENT OF LIMITED WARRANTY

STATEMENT OF LIMITED WARRANTY

For your convenience, registration [may now be completed directly from our web site \(WWW.SAVAGEARMS.COM\)](http://WWW.SAVAGEARMS.COM) or your Smartphone by using the QR Code printed by the WARRANTY REGISTRATION CARD. Should you not have access to our web site, please complete the WARRANTY REGISTRATION CARD and return it to Savage Arms, Inc. within ten (10) days from the date of purchase.

WHO IS COVERED?

- The original owner (with proof of purchase).

WHAT IS COVERED?

- Any defect in materials or workmanship (performed by Savage Arms) encountered during normal use.

HOW LONG IS THE WARRANTY PERIOD?

- One (1) year from the date of purchase.

WHAT IS NOT COVERED?

PERSONAL INJURY, PROPERTY DAMAGE, AND/OR DAMAGE TO THE FIREARM CAUSED BY:

- Improper maintenance or negligence to provide proper care and maintenance.
- Alterations/modifications performed without the written authorization of Savage Arms, Service Department.
- Normal wear; tear; and/or corrosion.
- Accidental discharge, careless handling, and/or misuse.
- Barrel obstructions.

EXCLUSIONS AND LIMITATIONS:

This *WARRANTY* and the remedies set forth herein are exclusive and take the place of all other expressed or implied *WARRANTIES* (including any implied *WARRANTY* of merchantability or fitness for any particular purpose which are disclaimed). No other representations or claims of any nature shall be binding on or obligate Savage Arms.

Savage Arms excludes any incidental and consequential damages under this warranty. Some states do not allow exclusions or limitations on how long an implied warranty lasts, so the above limitations may not apply to you.

This *WARRANTY* gives you specific legal rights. You may have other rights, which will vary from state to state.

RETURNING A FIREARM:

For *WARRANTY* claims, proof of purchase must accompany the firearm.

It is a violation of Federal Law to ship a firearm with live ammunition either in the detachable box magazine, chamber, or placed in the box. For the safety of all involved PLEASE be sure there is no ammunition in either the chamber, detachable box magazine, or box.

Savage Arms is not responsible for the loss or damage to any accessories shipped with the firearm.

If there is a question whether the firearm should be returned or parts could be purchased, please call 413-568-7001 between 9:00am and 4:00pm

Eastern Time and ask for the Service/Warranty Department.

All firearms within the continental United States should be sent to Savage Arms at the owner's expense. Warranty repairs will be returned to the owner at Savage Arms' expense.

Firearms owned by individuals in Canada cannot be returned directly to Savage Arms due to import/export laws. If your firearm requires warranty service, please contact one of the Savage Arms Warranty Stations listed on our website (WWW.SAVAGEARMS.COM) or call our Customer Service number listed above.

1. Pack the firearm in its original box if possible.

If a similar suitable box is used, care should be taken to protect the barrel/muzzle from breaking through. Always pack with the assumption that the firearm will undergo rough handling during transit to Savage Arms.

2. Enclose a brief note including:

- name, address and phone number of the sender
- serial number of the firearm
- description of the problem you are having
- bullet weight, bullet type, and manufacturer of the ammunition you are using
- any other information which you feel may be helpful.

3. Return to:

Savage Arms
100 Springdale Road
Westfield, MA 01085
Attn: Service Department

4. If there will be a charge involved for the repair, a quote will be sent within fourteen (14) working days.

- If there is no response from the quote within thirty (30) days, the firearm will be returned COD (\$20.00 Shipping/Handling).

Firearms will be repaired typically 3 weeks after receipt of payment in the order they were received.

