



**Assembly Instructions
& User's Manual
3PC Oversized Rocker Set
155426**



Please keep this instruction manual for future reference

Customer Service: (888) 922-2336

7:00 am to 12:00 am CST (daily)

Live Chat at: www.academy.com

Email: customerservice@academy.com

-----OR-----

(877) 579-1550 8:30am to 5:30pm Monday thru Friday, EST

(Made in China)

Table of Contents

Warnings.....	2
Parts List.....	3
Assembly Instructions.....	4-8
Care and Maintenance.....	9
Warranty Information.....	10

Note: Before beginning assembly of product, make sure all parts are present. Compare parts with package content list and contents on next page. If any part is missing or damaged do not attempt to assemble the unit. Contact customer service for replacement parts.



SKU:113243199

Style#: 155426

Warnings

- Weight Limit Chair: 400 Lb
- Weight Limit Table: 50 Lb
- Children should not open or close items in this set
- To avoid injuries, use care when folding chairs and table

Parts List

A	Table		Qty: 1
B	Chair		Qty: 2

Assembly Instructions

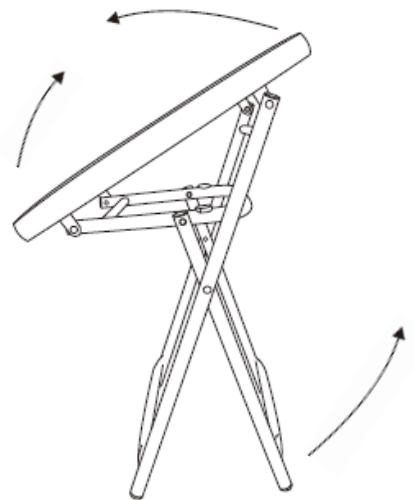
Step 1:

Remove the packaging material carefully, place the table onto soft surface.



Step 2:

Hold the table top and unfold the table according to the right figure.



Assembly Instructions

Step 3:

Assembly finished.



Step 4:

Remove the packaging material carefully, place the chair onto soft space.

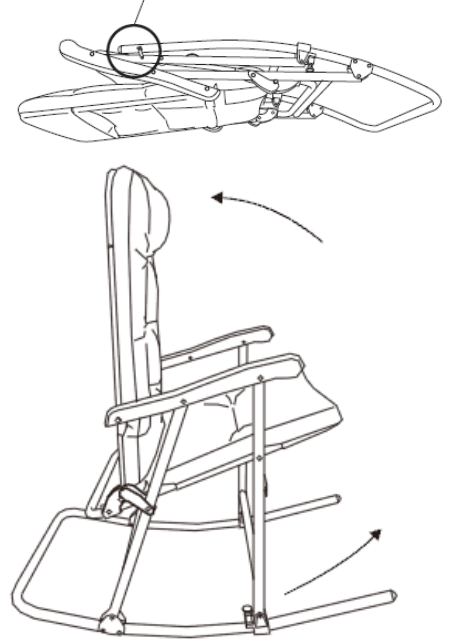
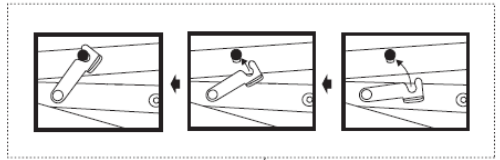


Assembly Instructions

Step 5:

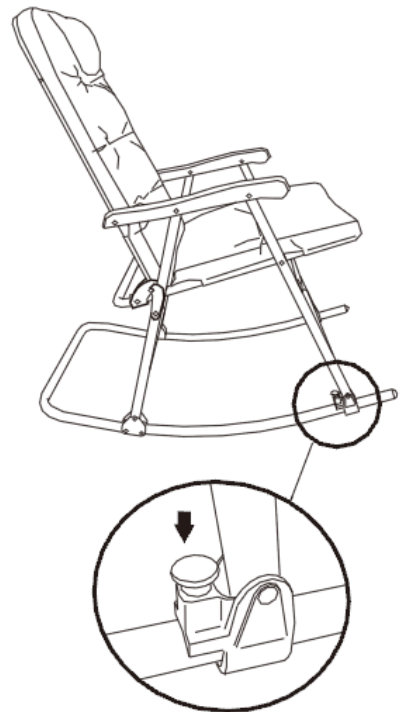
Unfasten hook on the side of the chair.

Fixing the chair leg and pull the backrest according to the right figure.



Step 6:

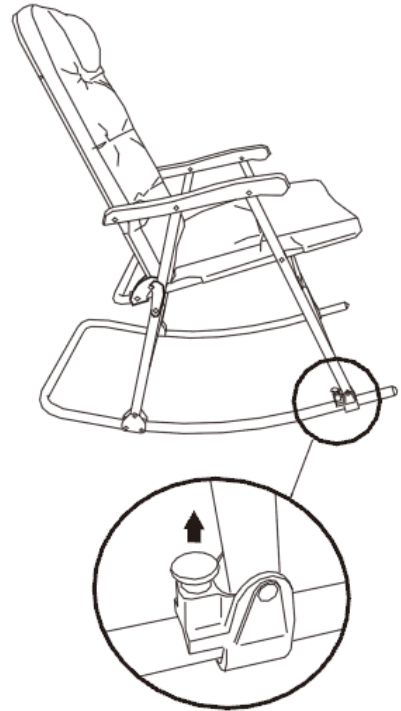
Fully unfolded the chair, press the lock button to secure the front leg from moving. Assembly finished.



Assembly Instructions

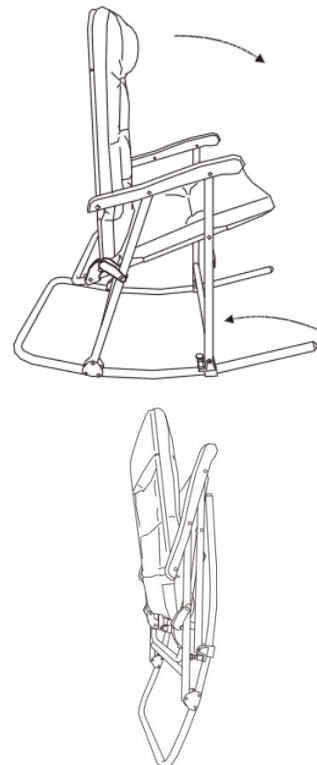
Step 7:

Step on the rear tube, pull up the lock button before folding the rocker



Step 8:

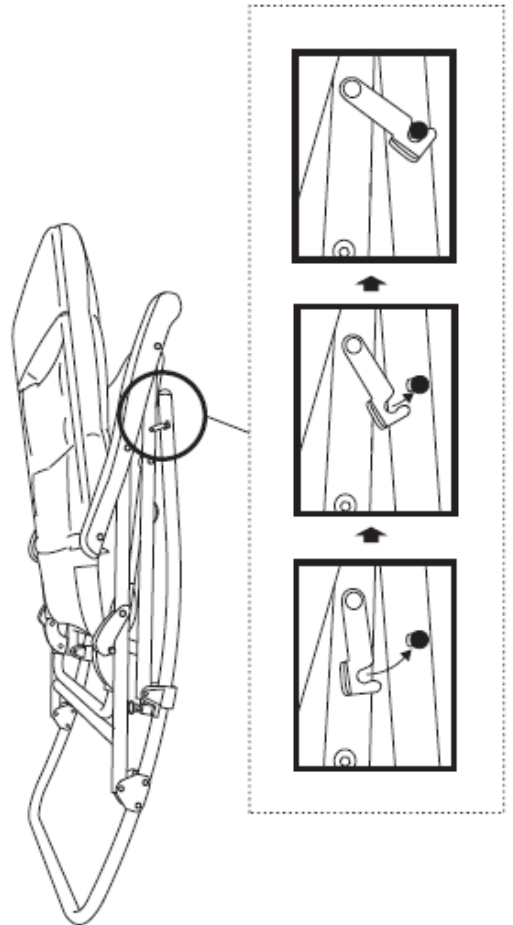
Folding the chair according to the figure until it is fully folded.



Assembly Instructions

Step 9:

Secure the chair with the lock as illustrated.



Care and Maintenance

This patio set should be cleaned on a regular basis to promote safe use and prolong product life.

Wipe the frame with a smooth damp cloth and air dry.

Do not use abrasive cleaners as they may damage or scratch the surface paint. Do not leave this product in severe weather conditions for extended periods. For extended life, the patio set should be stored indoors or covered during prolonged periods of non-use. Storing in a dry location will help prevent rust.

Warranty Information

This product has been manufactured under the highest standards of quality and workmanship. We warrant to the original consumer purchaser that all aspects of this product will be free of defects in material and workmanship for one year from the date of purchase. A replacement for any defective part will be supplied free of charge for installation by the consumer. Defects or damage caused by the use of other than genuine parts are not covered by this warranty. This warranty shall be effective from the date of purchase as shown in the purchaser receipt.

This warranty is valid for the original consumer purchaser only and excludes industrial, commercial or business use of the product, product damage due to shipment or failure which results from alteration, product abuse, or product misuse, whether performed by a contractor, service company, or consumer. We will not be responsible for labor charges and/or damage incurred in installation, repair or replacement nor for incidental or consequential damage.