



Safe ownership is your responsibility. Please thoroughly read and understand this manual before loading your firearm.

Keep firearms and ammunition away from children. Lock unloaded firearms and ammunition securely in separate locations.

This manual should always accompany your firearm and be transferred with it upon change of ownership. This is your responsibility and may protect you from future liability.

100 Springdale Road  
Westfield, MA 01085

## INSTRUCTION MANUAL

### **Models 10/110 (excluding 'LE SERIES'), 11/111, 14/114 and 16/116 Bolt Action Centerfire Rifles**

**IMPORTANT! DO NOT ATTEMPT TO LOAD AND SHOOT YOUR RIFLE UNTIL YOU HAVE THOROUGHLY READ THIS INSTRUCTION MANUAL AND ARE FULLY FAMILIAR WITH ITS CONTENTS**

For more information, please visit our web site at [www.savagearms.com](http://www.savagearms.com)

Download a QR Code reader application for your Smartphone  
and then snap this to complete your WARRANTY REGISTRATION on-line.



[WWW.SAVAGEARMS.COM/CUSTOMERSERVICE/WARRANTYREGISTRATION](http://WWW.SAVAGEARMS.COM/CUSTOMERSERVICE/WARRANTYREGISTRATION)

**Models 10/110 (excluding 'LE SERIES'),  
11/111, 14/114 and 16/116**

Congratulations on the purchase of your new firearm. You are now part of the Savage Sports Corporation family of quality firearms which includes Savage Arms, Inc., Savage Arms (Canada), Stevens, and Fox. With reasonable care, your firearm should deliver years of reliable service and perform to our "definition of accuracy".

**THIS MANUAL IS EXTREMELY IMPORTANT.**

The safety warnings and instructions in this manual are very important. By understanding the dangers involved in the use of any firearm and by taking the necessary precautions, you can use your Savage firearm in complete safety. However, failure to read, understand, and obey any of the warnings may result in serious injury or death to you or others, as well as severe damage to the firearm or other property.

This manual should always accompany your firearm and be transferred with it upon change of ownership. This is your responsibility and may protect you from future liability.

**Savage Arms offers firearms designed in two ways: SIDE BOLT RELEASE and BOTTOM BOLT RELEASE. It is important to identify which firearm you have purchased and follow the appropriate section in the INSTRUCTION MANUAL. There are major differences between the two (i.e. bolt installation, stock**

**removal/installation, etc) and it is the user's responsibility to read and understand them in their entirety. IF YOU USE IT IMPROPERLY – IT WILL NOT WORK. MORE IMPORTANTLY, IF YOU USE IT IMPROPERLY – SOMEONE MAY BE SERIOUSLY INJURED. IN BOTH CASES, THE KEY WORD IS YOU!**

For your convenience, SECTION 3 describes the bottom bolt release and SECTION 4 describes the side bolt release. All of the other sections are common for both.

SECTION 1: SAFETY FIRST – IT'S YOUR RESPONSIBILITY!..... p. 2

SECTION 2: THREE POSITION SAFETY..... p. 4

SECTION 3: BOTTOM BOLT RELEASE ..... p. 6

- Installing and Removing The Bolt Assembly
- Cocking Indicator
- Removing/Installing The Stock

SECTION 4: SIDE BOLT RELEASE ..... p. 9

- Installing and Removing The Bolt Assembly
- Cocking Indicator
- Removing/Installing the Stock

SECTION 5: LOADING / FIRING / UNLOADING ..... p. 13

- Top Load/ Hinged Floor Plate
- Detachable Box Magazine

SECTION 6: ACCUTRIGGER ADJUSTMENT..... p. 18

SECTION 7: MUZZLE BRAKE..... p. 19

- Fixed

SECTION 8: PARTS LIST AND DIAGRAM ..... p. 21

- Bottom Bolt Release Models
- Side Bolt Release Models

SECTION 9: AMMUNITION BULLET WEIGHTS / MAGAZINE CAPACITIES ..... p. 30

SECTION 10: RINGS AND BASES FOR MOUNTING A SCOPE ..... p. 31

SECTION 11: MAINTENANCE..... p. 32

- Routine Maintenance
- Cleaning

SECTION 12: STATEMENT OF LIMITED WARRANTY..... p. 33

Although considerable time and effort were put into assuring the accuracy of the information contained herein, human errors do occur. If an error is found, please let us know. As a 'customer driven' company, we appreciate and encourage feedback.

The following patents apply to the firearms contained in this manual: AccuTrigger™ - patent number US 6,553,706B1.

## SECTION 1 - SAFETY FIRST - IT'S YOUR RESPONSIBILITY

### SAFETY FIRST – IT'S YOUR RESPONSIBILITY!

Above all – remember that a firearm is a mechanical device. It cannot think, it cannot act on its own – it only does what YOU MAKE IT DO. A mechanical device has no way to know if your actions are safe or if they will result in injury or death – THAT'S YOUR PART! It only takes one careless second to result in a tragedy that you will have to live with the rest of your life. MAKE NO DOUBT ABOUT IT, owning and/or using a firearm puts YOU in full control of its actions and THEIR CONSEQUENCES!

### 10 COMMANDMENTS OF SHOOTING SAFETY

The following excerpts are from SAAMI bulletin #081. The entire booklet can be obtained by contacting the NATIONAL SHOOTING SPORTS FOUNDATION.

#### **FIREARMS SAFETY DEPENDS ON YOU!**

***FROM THE TIME YOU PICK UP A FIREARM, YOU BECOME PART OF A SYSTEM OVER WHICH YOU HAVE COMPLETE CONTROL. YOU ARE THE ONLY PART OF THE SYSTEM THAT CAN MAKE A GUN SAFE – OR UNSAFE.***

You can help meet this responsibility by enrolling in hunter safety or shooter safety courses, if you

have not already done so. You must constantly stress safety when handling firearms, especially to children and non-shooters. Develop safe shooting habits and remember, firearms safety is up to you. Make no mistake about it.

#### **ALCOHOL, DRUGS AND GUNS DON'T MIX**

##### **1. ALWAYS KEEP THE MUZZLE POINTED IN A SAFE DIRECTION**

This is the most basic safety rule. If everyone handled a firearm so carefully that the muzzle never pointed at something they didn't intend to shoot, there would be virtually no firearm accidents. It's as simple as that, and it's up to you.

Never point your gun at anything you do not intend to shoot. A safe direction means a direction in which a bullet cannot possibly strike anyone, taking into account possible ricochets and the fact that bullets can penetrate walls and ceilings. Even when "dry firing" with an unloaded gun, you should never point the gun at an unintended target.

This is your responsibility, and only you can control it.

##### **2. FIREARMS SHOULD BE UNLOADED WHEN NOT ACTUALLY IN USE**

Firearms should be loaded only when you are in the field or on the target range or shooting area, ready to shoot. When not in use, firearms and ammunition should be secured in a safe place, separate from each other. It is your responsibility to prevent children and inexperienced adults from gaining access to firearms or ammunition. A

loaded gun has no place in or near a vehicle or building.

Whenever you handle a firearm or hand it to someone, always open the action immediately, and visually check the chamber, receiver and magazine to be certain they do not contain any ammunition. Never assume a gun is unloaded – check for yourself! While in the field, there will be times when common sense and the basic rules of firearms safety will require you to unload your gun for maximum safety. When in doubt, unload your gun!

##### **3. DON'T RELY ON YOUR GUN'S "SAFETY"**

Treat every gun as though it can fire at any time, regardless of pressure on the trigger. The "safety" on any gun is a mechanical device, which, like any such device, can become inoperable at the worst possible time. The safety serves as a supplement to proper gun handling but cannot possibly serve as a substitute for common sense.

Never touch the trigger on a firearm until you actually intend to shoot.

Your firearm is a precision instrument. Regardless of the position of the safety, any bump strong enough to actuate the firing mechanism of a gun can cause it to fire. The only time you can be absolutely certain that a gun cannot fire is when the action is open and it is completely empty. You and the safe gun handling procedures you have learned are your gun's primary safeties.

##### **4. BE SURE OF YOUR TARGET AND WHAT'S BEYOND IT**

No one can call a bullet back. Don't shoot unless you know exactly what your bullet is going to strike. Be sure that your bullet will not injure anyone or anything beyond your target. You should keep in mind how far a bullet will travel if it misses your intended target or ricochets in another direction.

Be aware that even a .22 short bullet can travel over 1¼ miles and a high velocity cartridge, such as a 30-06, can project a bullet more than 3 miles. Shotgun pellets can travel 500 yards, and shotgun slugs have a range of over a half-mile.

#### **5. USE CORRECT AMMUNITION**

You must assume the serious responsibility of using only the correct ammunition for your firearm. Read and heed all warnings, including those that appear in the gun's instruction manual and on the ammunition boxes. Using improper or incorrect ammunition can destroy a gun and cause serious personal injury. It only takes one cartridge of improper caliber or gauge to wreck your gun, and only a second to check each one as you load it. Be absolutely certain that the ammunition you are using matches the specifications that are contained within the gun's instruction manual and the manufacturer's markings on the firearm barrel.

Hand loaded or reloaded ammunition deviating from pressures generated by factory loads or from competent recommendations specified in reputable hand loading manuals can be dangerous, and can cause severe damage to guns and serious injury to the shooter.

Ammunition that has become very wet or has been submerged in water should be discarded in a safe manner. Do not spray oil or solvents on ammunition or place ammunition in excessively lubricated firearms.

Form the habit of examining every cartridge you put in your gun. Never use damaged, old or questionable ammunition – the money you save is not worth the risk of possible injury or a ruined gun.

***DISCHARGING FIREARMS IN POORLY VENTILATED AREAS, CLEANING FIREARMS OR HANDLING AMMUNITION MAY RESULT IN EXPOSURE TO LEAD AND OTHER SUBSTANCES KNOWN TO CAUSE BIRTH DEFECTS, REPRODUCTIVE HARM AND OTHER SERIOUS PHYSICAL INJURY. HAVE ADEQUATE VENTILATION AT ALL TIMES. WASH HANDS THOROUGHLY AFTER EXPOSURE.***

#### **6. IF YOUR GUN FAILS TO FIRE WHEN THE TRIGGER IS PULLED, HANDLE WITH CARE!**

Occasionally, a loaded gun may not fire when the trigger is pulled. If this occurs, keep the muzzle pointed in a safe direction. Keep your face away from the breech. Then, carefully open the action, unload the firearm and dispose of the cartridge in a safe way.

Any time there is a cartridge in the chamber, your gun is loaded and ready to fire - even if you've tried to shoot and it did not go off. It could go off at any time, so you must always remember **RULE #1** and **WATCH THAT MUZZLE!**

#### **7. ALWAYS WEAR EYE AND EAR PROTECTION WHEN SHOOTING**

All shooters should wear protective shooting glasses and some form of hearing protectors while shooting. Exposure to shooting noise can damage hearing, and adequate vision protection is essential. Wearing eye protection when disassembling and cleaning any gun will also help prevent the possibility of springs, spring tensioned parts, solvents or other agents from contacting your eyes. No target shooter, plinker or hunter should ever be without them.

#### **8. BE SURE THE BARREL IS CLEAR OF OBSTRUCTIONS BEFORE SHOOTING**

Before you load your firearm, open the action and be certain that there is no cartridge in the chamber. Then glance through the barrel to be sure it is clear of any obstruction. Even a small bit of mud, snow, excess lubricating oil or grease in the bore can cause dangerously increased pressure, causing the barrel to bulge or even burst when firing, which can cause injury to the shooter and bystanders. Make it a habit to clean the bore with a cleaning rod and patch to wipe away anti-rust compounds in the gun each time immediately before you shoot it. If the noise or recoil on firing seems weak or doesn't seem quite "right", cease firing immediately and be sure to check that no obstruction or projectile has become lodged in the barrel.

#### **9. DON'T ALTER OR MODIFY YOUR GUN, AND HAVE GUNS SERVICED REGULARLY**

Firearms are complicated mechanisms, which are designed by experts to function properly in their

original condition. Any alteration or change (other than adjusting the AccuTrigger™) made to a firearm after manufacture can make the gun dangerous and will usually void any factory warranties. Do not jeopardize your safety or the safety of others by altering the trigger, safety or other mechanism of any firearm or allowing unqualified person's to repair or modify a gun.

Your gun is a mechanical device, which will not last forever and is subject to wear. As such, it requires periodic inspection, adjustment and service.

#### **10. LEARN THE MECHANISM AND HANDLING CHARACTERISTICS OF THE FIREARM YOU ARE USING**

Not all firearms are the same. Consequently, never handle any firearm without first having thoroughly familiarized yourself with the particular type of firearm you are using, the safe gun handling rules for loading, unloading, carrying and handling that firearm, and the rules of safe gun handling in general. Locate the firearm's mechanical safety device and get familiar with the feel and "on/off" positions.

You should always read and refer to the instruction manual you received with your gun, or if you have misplaced the manual, simply contact the manufacturer for a free copy.

Having a gun in your possession is a full-time job. You cannot guess; you cannot forget. You must know how to use, handle, and store your firearm safely. Do not use any firearm without having a

complete understanding of its particular characteristics and safe use. There is no such thing as a foolproof gun.

## **SECTION 2 – THREE POSITION SAFETY**

***PRIOR TO LOADING OR OPERATING, FAMILIARIZE YOURSELF THOROUGHLY WITH THESE OPERATING INSTRUCTIONS AND THE MAIN PARTS OF YOUR FIREARM.***

***YOUR GUN IS A MECHANICAL DEVICE WHICH WILL NOT LAST FOREVER AND IS SUBJECT TO WEAR. WHEN SOMETHING DOES NOT SOUND, FEEL, OR LOOK RIGHT, SEEK THE ADVICE OF A PROFESSIONAL GUNSMITH IMMEDIATELY. NEVER TAKE A CHANCE.***

***FAILURE TO OBEY A SAFETY WARNING MAY RESULT IN INJURY TO YOU OR OTHERS. KNOW HOW TO LOCATE AND OPERATE THE SAFETY MECHANISM.***

***THOROUGHLY CLEAN THE INSIDE OF THE BARREL AND CHAMBER PRIOR TO LOADING WITH AMMUNITION.***

***THE USE OF RELOADS, HANDLOADS, MILITARY SURPLUS, OR ANY OTHER COMMERCIAL/ NONCOMMERCIAL AMMUNITION NOT MANUFACTURED TO SAAMI (SPORTING ARMS AND AMMUNITION MANUFACTURERS' INSTITUTE, INC.) / ANSI (AMERICAN NATIONAL STANDARDS INSTITUTE) SPECIFICATIONS WILL VOID THE WARRANTY.***

***ALWAYS BE SURE THE FIREARM (ESPECIALLY THE BARREL) IS FREE AND***

**CLEAR OF ANY OBSTRUCTIONS THAT MAY RESTRICT (OR SLOW DOWN) THE BULLET FROM LEAVING THE MUZZLE AT ITS NORMAL RATE OF SPEED. THIS INCLUDES SNOW, WATER, BRUSH, SHRUBS, STICKS, LEAVES AND DEBRIS TO NAME A FEW. NEVER PLACE THE END OF A BARREL OR SUBMERGE A FIREARM UNDER WATER. RESTRICTING, SLOWING, OR STOPPING THE BULLET FROM LEAVING THE MUZZLE WILL CREATE AN EXCESSIVE AMOUNT OF PRESSURE TO BUILD UP BEHIND IT AND MAY LEAD TO EXTENSIVE DAMAGE TO THE FIREARM AND PERSONAL INJURY TO THE SHOOTER AND/OR BYSTANDERS. SAFE OPERATION IS YOUR RESPONSIBILITY AND CAN ONLY BE CONTROLLED BY YOU!**

**KNOW EXACTLY WHERE YOU ARE POINTING THE BARREL OF A FIREARM AND WHY!**

**IT IS SO IMPORTANT TO STRESS THAT A FIREARM IS NO MORE THAN AN ASSEMBLY OF MANY DIFFERENT COMPONENTS – A MECHANICAL DEVICE. AS SUCH, YOU ARE THE ONLY SAFETY MECHANISM THAT CAN PREVENT AN ACCIDENT.**

The safety on your Model 10/110, 11/111, 14/114, and 16/116 has three positions:

- **FULL SAFE** - Pull safety button towards shooter (trigger blocked – bolt cannot be opened).
- **MID POSITION** - (trigger blocked – bolt can be opened).

- **SAFETY OFF - READY TO FIRE.** Push safety button away from shooter.

#### **FULL SAFE**

1. The safety is in the *FULL SAFE* position when it has been moved fully rearward, covering the red dot (see *FIGURE 1*).
2. The safety should be moved into the *FULL SAFE* position when the bolt has been closed and the firearm is ready to fire.
3. In the *FULL SAFE* position, the trigger is blocked from moving and the bolt cannot be opened.



**FIGURE 1**  
**(SIDE BOLT RELEASE MODEL SHOWN)**

**WHEN CARRYING A LOADED FIREARM, THE SAFETY MUST ALWAYS BE IN THE FULL SAFE POSITION.**

**THE ONLY TIME YOU CAN BE ABSOLUTELY CERTAIN THAT A GUN CANNOT FIRE IS WHEN THE ACTION IS OPEN AND IT IS COMPLETELY EMPTY OF AMMUNITION.**

#### **MID SAFE POSITION**

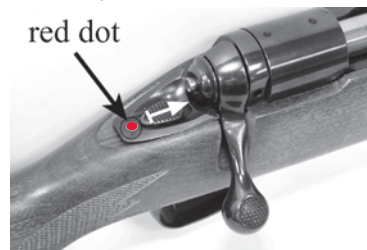
**MID POSITION ALLOWS THE BOLT TO BE OPENED AND CYCLED WHILE STILL BLOCKING THE TRIGGER**

1. The safety will move to the *MID POSITION* when the following sequence is performed:
  - lift the bolt handle
  - move the safety to the *FULL SAFE* position
  - push the bolt handle downward

**WHEN IN DOUBT – NEVER ASSUME! WITH THE BOLT HANDLE FULLY UPWARD – THE BOLT PULLED TO THE REAR - THE MUZZLE POINTED IN A SAFE DIRECTION - THE SAFETY IN THE MID SAFE POSITION, THE TRIGGER SHOULD NOT HAVE ANY REARWARD MOVEMENT.**

#### **SAFETY OFF – READY TO FIRE**

1. The safety is in the *OFF* position when moved fully forward, exposing the red dot (see *FIGURE 2*).



**FIGURE 2**  
**(BOTTOM BOLT RELEASE MODEL SHOWN)**

**NEVER TRANSPORT/CARRY A LOADED FIREARM WITH THE SAFETY OFF.**

## SECTION 3 – BOTTOM BOLT RELEASE

### INSTALLING AND REMOVING THE BOLT ASSEMBLY

**BOLT ASSEMBLIES ARE SPECIFICALLY MATCHED TO A FIREARM. USING ANY OTHER BOLT ASSEMBLY MAY CAUSE EXTENSIVE DAMAGE TO THE FIREARM AND/OR SERIOUS INJURY TO THE SHOOTER OR BYSTANDER. BEFORE INSTALLING THE BOLT, VERIFY THAT THE 4 DIGITS ENGRAVED BY THE EXTRACTOR MATCH THE LAST 4 DIGITS OF THE SERIAL NUMBER ON THE RECEIVER.**

**BE SURE THERE IS NO AMMUNITION IN EITHER THE CHAMBER OR MAGAZINE.**

### BOLT INSTALLATION – BOTTOM BOLT RELEASE (SEE FIGURE 3)

1. Rotate the FRONT BAFFLE (1) to line-up the BOLT GUIDE with the EXTRACTOR.
2. Pull the TRIGGER (2) fully rearward and hold it in that position.
3. **WITH NO AMMUNITION IN THE FIREARM,** insert the BOLT (3) into the firearm, pushing it forward.
4. Close the BOLT HANDLE (pushing downward) and verify that the “THREE POSITION SAFETY” is operational as explained in SECTION 2 of this manual.

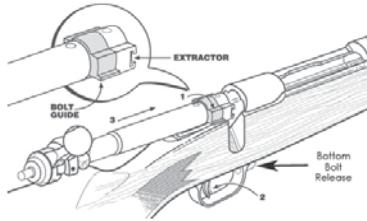


FIGURE 3

### **COCKING PIECE PIN**

The primary purpose of the cocking piece pin is to control the forward movement of the firing pin assembly. Every time the bolt handle is raised, the cocking piece pin is pushed downward into a recess on the bottom of the triangular cutout at the rear of the bolt body (see FIGURE 4). In this position, the mainspring is cocked. When the bolt is closed and the handle pushed downward, the cocking piece pin moves to the center of the triangular cutout and is held in place by the sear (inside the receiver). Pulling the trigger drops the sear, releasing the cocking piece pin to snap forward and the firing pin to protrude from the bolt face with enough pressure and force to strike/detonate a primer. When the bolt handle is lifted, the cocking piece pin is again pushed downward into the recess in the triangular cutout; cocking the mainspring.

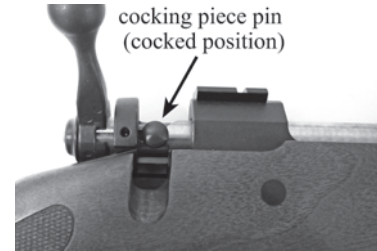


FIGURE 4

**IF SOMEONE SHOULD PULL THE BOLT BACK SLIGHTLY (TO EXPOSE THE COCKING PIECE PIN FROM THE RECEIVER AS SHOWN IN FIGURE 4) AND DELIBERATELY PRY THE COCKING PIECE PIN OUT OF POSITION (SEE FIGURE 5), THE FIRING PIN WILL SNAP FORWARD – POTENTIALLY DISCHARGING THE CARTRIDGE.**

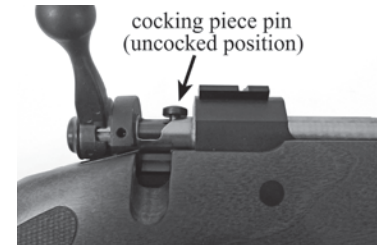


FIGURE 5

**DETAILED IN THE INSTRUCTION MANUAL, THERE ARE CLEARLY DEFINED STEPS FOR**



**THE SAFE OPERATION OF YOUR FIREARM, NONE OF WHICH REQUIRING THE COCKING PIECE PIN TO BE TOUCHED, MOVED, OR IN ANY WAY PUSHED OUT OF POSITION. AS WITH ANY FIREARM, PHYSICALLY MOVING OR FORCING ANY COMPONENT OUT OF ITS DESIGNED POSITION MAY RESULT IN DAMAGE, INJURY, OR EVEN DEATH.**

**AGGRESSIVELY CYCLING THE BOLT (I.E. SLAMMING IT REARWARD AGAINST THE SEAR) MAY CAUSE THE COCKING PIECE TO DISENGAGE AND UNCOCK – ALLOWING THE FIRING PIN TO SNAP FORWARD. NEVER CONTINUE TO SHOOT OR CYCLE LIVE AMMUNITION IF THE EJECTOR, COCKING PIECE PIN, OR ANY COMPONENT APPEARS WEAK OR NOT FUNCTIONING PROPERLY.**

**KNOW YOUR GUN! IF ANYTHING ‘FEELS’ OR SOUNDS DIFFERENT - STOP - AND HAVE A QUALIFIED GUNSMITH TAKE A LOOK! NEVER TAKE A CHANCE WITH SOMETHING THAT YOU ARE UNSURE OF ... ALWAYS ASK A PROFESSIONAL.**

### **BOLT REMOVAL – BOTTOM BOLT RELEASE** (see FIGURE 6)

1. With the muzzle pointed in a safe direction, move the safety forward to the SAFETY OFF – READY TO FIRE position.
2. Lift the bolt handle and pull fully to the rear.
3. **WITH NO AMMUNITION IN THE FIREARM**, pull the TRIGGER (1) fully rearward and hold it in that position.

4. Push the BOLT RELEASE (2) as far as it will go into the trigger guard.
5. Grasping the BOLT HANDLE, pull the bolt assembly fully rearward until it clears the receiver, being careful not to hit the stock. If it seems to bind or stop, be sure that the trigger has been pulled fully rearward first and then the BOLT RELEASE pushed as far as it will go into the trigger guard.

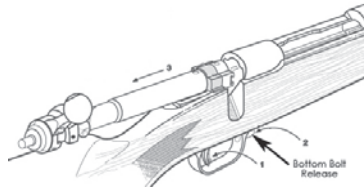


FIGURE 6

### **COCKING INDICATOR**

**THE MAIN PURPOSE OF THE COCKING INDICATOR IS TO VISUALLY SHOW WHEN THE FIREARM IS COCKED. THIS IS NOT A LOADED CHAMBER INDICATOR NOR A SAFETY DEVICE WHICH CAN BE RELIED ON TO PREVENT ACCIDENTAL DISCHARGE – THAT RESPONSIBILITY LIES SOLELY IN THE HANDS OF THE SHOOTER!**

1. Cocked – when the tip of the indicator is protruding from the rear of the bolt (see FIGURE 7).

2. Uncocked – when the tip of the indicator is not protruding from the end of the bolt (see FIGURE 8).



FIGURE 7



FIGURE 8

**REMOVING THE STOCK – DETACHABLE BOX MAGAZINE / HINGED FLOOR PLATE**  
**BE SURE THE BOLT IS OPEN AND THERE IS NO LIVE AMMUNITION IN EITHER THE CHAMBER OR MAGAZINE. LOOK AND FEEL WITH YOUR FINGER – THERE SHOULD BE NO DOUBT – THERE SHOULD BE NO QUESTION –**

**THERE MUST BE NO AMMUNITION IN EITHER THE CHAMBER OR MAGAZINE!**

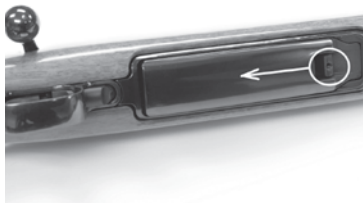
**THE ONLY TIME YOU CAN BE ABSOLUTELY CERTAIN THAT A GUN CANNOT FIRE IS WHEN THE ACTION IS OPEN AND IT IS COMPLETELY EMPTY OF AMMUNITION.**

1. Check again to be sure there is no ammunition in either the chamber or magazine.
2. Remove the DETACHABLE BOX magazine or open the HINGED FLOOR PLATE (see FIGURE 9).
3. With the muzzle pointed in a safe direction, close the bolt and pull the trigger (dry fire).

**THE BOLT MUST REMAIN CLOSED AND THE ACTION UNCOCKED ('FIRED') THROUGHOUT THE ENTIRE PROCEDURE OF REMOVING THE STOCK AND THEN REINSTALLING THE ACTION.**

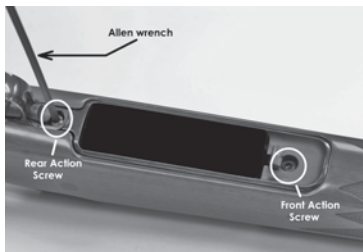
4. Turn the firearm upside down, with the muzzle pointed away from you.
5. Push the BOLT RELEASE as far as it will go into the trigger guard to gain access to the rear action screw, located under the BOLT RELEASE (see FIGURE 10).
6. Using a 5/32" Allen wrench, loosen the rear action screw.

**DO NOT REMOVE THE SCREW AT THE REAR OF THE TRIGGER GUARD. INTENDED MERELY TO HOLD THE TRIGGER GUARD IN PLACE, OVER TIGHTENING THIS SCREW WILL CAUSE DAMAGE TO THE STOCK.**



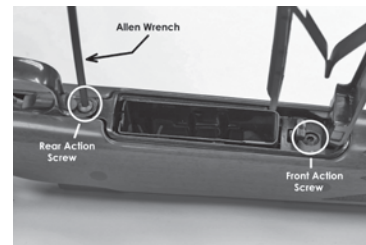
**FIGURE 9**

7. For a firearm with a DETACHABLE BOX MAGAZINE, loosen the front action screw located in front of the magazine latch (see FIGURE 10).



**FIGURE 10**

8. For a firearm with a HINGED FLOOR PLATE, loosen the front action screw accessible under the plate (see FIGURE 11).



**FIGURE 11**

9. Remove both action screws.
10. Remove the stock.

**INSTALLING THE STOCK**

**BE SURE THE BOLT IS STILL CLOSED AND THE ACTION UNCOCKED ('FIRED') PRIOR TO PUTTING THE STOCK BACK ON.**

1. Leave the magazine out of the action when reassembling the stock.
2. Place the action onto the stock, being careful to align the trigger with the trigger slot in the stock.
3. Install the action screws (longer screw is to the rear and the shorter screw is to the front) into the stock and turn the wrench clockwise until the threads of the screws just engage into the receiver. **DO NOT OVER TIGHTEN** – the stock must be loose at this step!
4. Carefully lift the firearm up so that the recoil pad is sitting on a solid surface and the barrel is pointing upward.
5. Putting downward pressure on the barrel to

seat the recoil lug firmly in the stock, tighten the front action screw first and then the rear action screw securely.

**WHEN REINSERTING THE DETACHABLE BOX MAGAZINE, ALWAYS PUT THE REAR IN FIRST AND THEN PIVOT THE FRONT UPWARD UNTIL IT SNAPS INTO PLACE.**

**DO NOT TIGHTEN THE SCREW AT THE REAR OF THE TRIGGER GUARD. INTENDED MERELY TO HOLD THE TRIGGER GUARD IN PLACE, OVER TIGHTENING THIS SCREW WILL CAUSE DAMAGE TO THE STOCK.**

**KNOW YOUR GUN! IF ANYTHING 'FEELS' OR SOUNDS DIFFERENT - STOP - AND HAVE A QUALIFIED GUNSMITH TAKE A LOOK! NEVER TAKE A CHANCE WITH SOMETHING THAT YOU ARE UNSURE OF ... ALWAYS ASK A PROFESSIONAL.**

6. Cycle the bolt several times to be sure that it functions properly. If you are unable to close the bolt handle completely, the action screws may be reversed.

**IF THE BOLT RELEASE BUTTON IS JAMMED AFTER INSTALLING THE ACTION, PERFORM THE FOLLOWING STEPS:**

- **VERIFY ONCE AGAIN THERE IS NO LIVE AMMUNITION IN THE FIREARM**
- **REMOVE THE ACTION SCREWS**
- **REMOVE THE ACTION**
- **LIFT THE BOLT HANDLE AND THEN CLOSE IT (TO COCK THE ACTION)**

- **POINT THE MUZZLE IN A SAFE DIRECTION AND PULL THE TRIGGER (DRY FIRE)**
- **REINSERT THE ACTION BACK INTO THE STOCK**

**AFTER REASSEMBLING THE STOCK, VERIFY THAT THE SAFETY OPERATES CORRECTLY IN ALL 3 POSITIONS AS DEFINED IN SECTION 2 – 'THREE POSITION SAFETY' OF THIS MANUAL. SAFE OWNERSHIP IS YOUR RESPONSIBILITY!**

## **SECTION 4 – SIDE BOLT RELEASE**

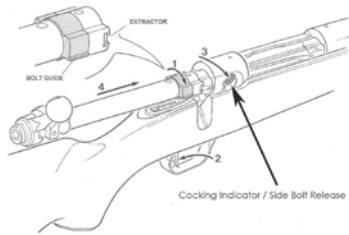
### **INSTALLING AND REMOVING THE BOLT ASSEMBLY**

**BOLT ASSEMBLIES ARE SPECIFICALLY MATCHED TO A FIREARM. USING ANY OTHER BOLT ASSEMBLY MAY CAUSE EXTENSIVE DAMAGE TO THE FIREARM AND/OR SERIOUS INJURY TO THE SHOOTER OR BYSTANDER. BEFORE INSTALLING THE BOLT, VERIFY THAT THE 4 DIGITS ENGRAVED BY THE EXTRACTOR MATCH THE LAST 4 DIGITS OF THE SERIAL NUMBER ON THE RECEIVER.**

**BE SURE THERE IS NO AMMUNITION IN EITHER THE CHAMBER OR MAGAZINE.**

#### **BOLT INSTALLATION (SEE FIGURE 12)**

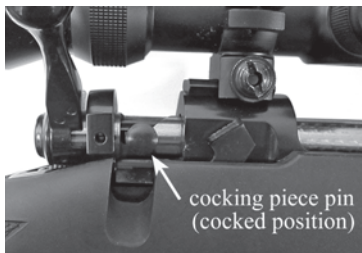
1. Rotate the FRONT BAFFLE (1) to line-up the BOLT GUIDE with the EXTRACTOR.
2. Pull the TRIGGER (2) fully rearward and hold it in that position.
3. Press down on the COCKING INDICATOR (3) – also known as the "SIDE BOLT RELEASE".
4. **WITH NO AMMUNITION IN THE FIREARM,** insert the BOLT (4) into the firearm, pushing it forward.
5. Close the BOLT HANDLE (pushing downward) and verify that the "THREE POSITION SAFETY" is operational as explained in SECTION 2 of this manual.



**FIGURE 12**

### **COCKING PIECE PIN**

The primary purpose of the cocking piece pin is to control the forward movement of the firing pin assembly. Every time the bolt handle is raised, the cocking piece pin is pushed downward into a recess on the bottom of the triangular cutout at the rear of the bolt body (see FIGURE 13). In this position, the mainspring is cocked. When the bolt is closed and the handle pushed downward, the cocking piece pin moves to the center of the triangular cutout and is held in place by the sear (inside the receiver). Pulling the trigger drops the sear, releasing the cocking piece pin to snap forward and the firing pin to protrude from the bolt face with enough pressure and force to strike/detonate a primer. When the bolt handle is lifted, the cocking piece pin is again pushed downward into the recess in the triangular cutout; cocking the mainspring.



**FIGURE 13**

***IF SOMEONE SHOULD PULL THE BOLT BACK SLIGHTLY (TO EXPOSE THE COCKING PIECE PIN FROM THE RECEIVER AS SHOWN IN FIGURE 13) AND DELIBERATELY PRY THE COCKING PIECE PIN OUT OF POSITION (SEE FIGURE 14), THE FIRING PIN WILL SNAP FORWARD – POTENTIALLY DISCHARGING THE CARTRIDGE.***



**FIGURE 14**

***DETAILED IN THE INSTRUCTION MANUAL, THERE ARE CLEARLY DEFINED STEPS FOR***

***THE SAFE OPERATION OF YOUR FIREARM, NONE OF WHICH REQUIRING THE COCKING PIECE PIN TO BE TOUCHED, MOVED, OR IN ANY WAY PUSHED OUT OF POSITION. AS WITH ANY FIREARM, PHYSICALLY MOVING OR FORCING ANY COMPONENT OUT OF ITS DESIGNED POSITION MAY RESULT IN DAMAGE, INJURY, OR EVEN DEATH.***

***AGGRESSIVELY CYCLING THE BOLT (I.E. SLAMMING IT REARWARD AGAINST THE SEAR) MAY CAUSE THE COCKING PIECE TO DISENGAGE AND UNCOCK – ALLOWING THE FIRING PIN TO SNAP FORWARD. NEVER CONTINUE TO SHOOT OR CYCLE LIVE AMMUNITION IF THE EJECTOR, COCKING PIECE PIN, OR ANY COMPONENT APPEARS WEAK OR NOT FUNCTIONING PROPERLY.***

***KNOW YOUR GUN! IF ANYTHING ‘FEELS’ OR SOUNDS DIFFERENT - STOP - AND HAVE A QUALIFIED GUNSMITH TAKE A LOOK! NEVER TAKE A CHANCE WITH SOMETHING THAT YOU ARE UNSURE OF ... ALWAYS ASK A PROFESSIONAL.***

### **BOLT REMOVAL** (see FIGURE 15)

1. With the muzzle pointed in a safe direction, move the safety forward to the SAFETY OFF – READY TO FIRE position.
2. Lift the bolt handle and pull fully to the rear.
3. **WITH NO AMMUNITION IN THE FIREARM**, pull the TRIGGER (1) fully rearward and hold it in that position.
4. Push the COCKING INDICATOR (2) – also known as the “SIDE BOLT RELEASE” as far

down as it will go.

5. Grasping the BOLT HANDLE, pull the bolt assembly fully rearward until it clears the receiver, being careful not to hit the stock. If it seems to bind or stop, be sure that the trigger has been pulled fully rearward first and then the COCKING INDICATOR pushed as far down as it will go.

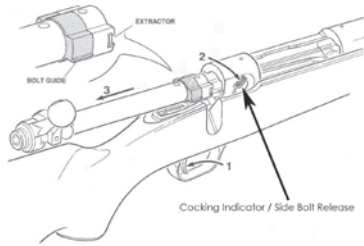


FIGURE 15

**COCKING INDICATOR**  
**SAVAGE ARMS HAS DESIGNED INTO THE CENTERFIRE BOLT ACTION SERIES, A COCKING INDICATOR. ITS MAIN PURPOSE IS TO VISUALLY INDICATE WHEN THE FIREARM IS COCKED. THIS IS NOT A LOADED CHAMBER INDICATOR NOR A SAFETY DEVICE WHICH CAN BE RELIED ON TO PREVENT ACCIDENTAL DISCHARGE – THAT RESPONSIBILITY LIES SOLELY IN THE HANDS OF THE SHOOTER!**

1. Cocked – when the 'corner' of the indicator is above the stock (see FIGURE 16).

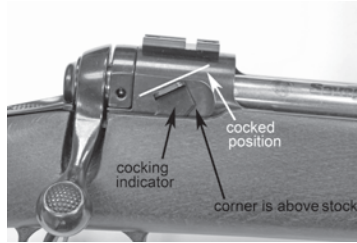


FIGURE 16

2. Uncocked – when the indicator is almost level with the stock and approximately midway on the flat of the receiver (see FIGURE 17).

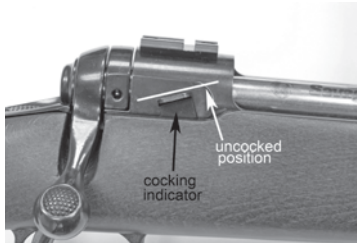


FIGURE 17

**REMOVING THE STOCK – TOP LOAD (INTERNAL MAGAZINE)**  
**BE SURE THE BOLT IS OPEN AND THERE IS NO LIVE AMMUNITION IN EITHER THE CHAMBER OR MAGAZINE. LOOK AND FEEL WITH YOUR FINGER – THERE SHOULD BE NO**

**DOUBT – THERE SHOULD BE NO QUESTION – THERE MUST BE NO AMMUNITION IN EITHER THE CHAMBER OR MAGAZINE!**

**THE ONLY TIME YOU CAN BE ABSOLUTELY CERTAIN THAT A GUN CANNOT FIRE IS WHEN THE ACTION IS OPEN AND IT IS COMPLETELY EMPTY OF AMMUNITION.**

**THERE IS NO REASON TO REMOVE THE MAGAZINE ASSEMBLY FROM THE STOCK. PULLING ON THE 'FEEDING LIPS' OR SIDES OF THE MAGAZINE MAY DISTORT ITS OVERALL SHAPE AND RESULT IN AMMUNITION NOT LOADING OR FEEDING RELIABLY.**

1. Check again to be sure there is no ammunition in either the chamber or magazine.
2. Turn the firearm upside down, with the muzzle pointed away from you.
3. Using a 5/32" Allen wrench, loosen and remove the two screws securing the stock (see FIGURE 18).

**DO NOT REMOVE THE SCREW AT THE REAR OF THE TRIGGER GUARD. INTENDED MERELY TO HOLD THE TRIGGER GUARD IN PLACE, OVER TIGHTENING THIS SCREW WILL CAUSE DAMAGE TO THE STOCK.**

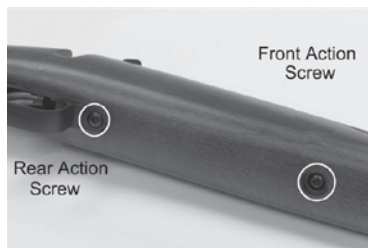


FIGURE 18



FIGURE 19



FIGURE 20

**DO NOT REMOVE THE SCREW AT THE REAR OF THE TRIGGER GUARD. INTENDED MERELY TO HOLD THE TRIGGER GUARD IN PLACE, OVER TIGHTENING THIS SCREW WILL CAUSE DAMAGE TO THE STOCK.**



FIGURE 21

4. Remove the stock.

**DETACHABLE BOX MAGAZINE OR HINGED FLOOR PLATE**

**BE SURE THE BOLT IS OPEN AND THERE IS NO LIVE AMMUNITION IN EITHER THE CHAMBER OR MAGAZINE. LOOK AND FEEL WITH YOUR FINGER – THERE SHOULD BE NO DOUBT – THERE SHOULD BE NO QUESTION – THERE MUST BE NO AMMUNITION IN EITHER THE CHAMBER OR MAGAZINE!**

**THE ONLY TIME YOU CAN BE ABSOLUTELY CERTAIN THAT A GUN CANNOT FIRE IS WHEN THE ACTION IS OPEN AND IT IS COMPLETELY EMPTY OF AMMUNITION.**

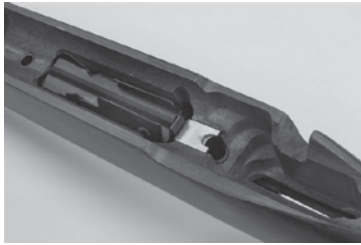
1. Check again to be sure there is no ammunition in either the chamber or magazine.
2. Remove the DETACHABLE BOX magazine (see FIGURE 19) or open the HINGED FLOOR PLATE (see FIGURE 20).

3. Turn the firearm upside down, with the muzzle pointed away from you.
4. Using a 5/32" Allen wrench, loosen and remove the two screws securing the stock.
5. For a firearm with a DETACHABLE BOX MAGAZINE, loosen the front action located in front of the magazine latch.
6. For a firearm with a HINGED FLOOR PLATE, loosen the front action screw accessible under the plate (see FIGURE 21).

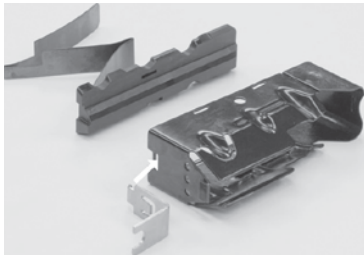
7. Remove the stock.

**INSTALLING THE STOCK**

1. For TOP LOAD models, notice the position in the stock of the magazine, plastic follower assembly, and magazine retaining clip in FIGURE 22. Should they become loose and fall out of the stock [DO NOT REMOVE ON YOUR OWN!], place the retaining clip into the side slot of the magazine (see FIGURE 23), insert the plastic magazine follower assembly into the magazine, and push the entire magazine assembly back into the stock as shown in FIGURE 22.



**FIGURE 22**



**FIGURE 23**

2. For DETACHABLE BOX MAGAZINE models, remove the magazine prior to reassembling the stock.
3. For HINGED FLOOR PLATE models, open the floor plate and push the retaining latch to gain clear access to the action screw hole (see FIGURE 21).
4. Place the action onto the stock, being careful to align the trigger with the trigger slot in the stock.
5. Install the action screws (longer screw is to the rear and the shorter screw is to the front)

into the stock and turn the wrench clockwise until the threads of the screws just engage into the receiver. DO NOT OVER TIGHTEN – the stock must be loose at this step!

6. Carefully lift the firearm up so that the recoil pad is sitting on a solid surface and the barrel is pointing upward.
7. Putting downward pressure on the barrel to seat the recoil lug firmly in the stock, tighten the front action screw first and then the rear action screw securely.
8. Reach down into the receiver with your forefinger and press down on the plastic magazine follower to be sure that it moves freely. If it binds, remove the stock, check the position of the magazine assembly in the stock (see FIGURE 22), and repeat the steps for INSTALLING THE STOCK.

**KNOW YOUR GUN! IF ANYTHING ‘FEELS’ OR SOUNDS DIFFERENT - STOP - AND HAVE A QUALIFIED GUNSMITH TAKE A LOOK! NEVER TAKE A CHANCE WITH SOMETHING THAT YOU ARE UNSURE OF ... ALWAYS ASK A PROFESSIONAL.**

9. Cycle the bolt several times to be sure that it functions properly. If you are unable to close the bolt handle completely, the action screws may be reversed.

**AFTER REASSEMBLING THE STOCK, VERIFY THAT THE SAFETY OPERATES CORRECTLY IN ALL 3 POSITIONS AS DEFINED IN SECTION 2 – ‘THREE POSITION SAFETY’ OF THIS MANUAL. SAFE OWNERSHIP IS YOUR RESPONSIBILITY!**

## SECTION 5 – LOADING / FIRING / UNLOADING

### LOADING

**FIREARMS SHOULD BE LOADED ONLY WHEN YOU ARE IN THE FIELD, ON THE TARGET RANGE, OR AT A SHOOTING AREA READY TO SHOOT.**

**ALWAYS KEEP THE MUZZLE POINTED IN A SAFE DIRECTION.**

**USE ONLY THE CORRECT AMMUNITION THAT IS INDICATED (STAMPED) ON THE BARREL. THOROUGHLY CLEAN THE INSIDE OF THE BARREL AND CHAMBER PRIOR TO LOADING WITH AMMUNITION.**

**ALWAYS BE SURE THE FIREARM (ESPECIALLY THE BARREL) IS FREE AND CLEAR OF ANY OBSTRUCTIONS THAT MAY RESTRICT (OR SLOW DOWN) THE BULLET FROM LEAVING THE MUZZLE AT ITS NORMAL RATE OF SPEED. THIS INCLUDES SNOW, WATER, BRUSH, SHRUBS, STICKS, LEAVES AND DEBRIS TO NAME A FEW. NEVER PLACE THE END OF A BARREL OR SUBMERGE A FIREARM UNDER WATER. RESTRICTING, SLOWING, OR STOPPING THE BULLET FROM LEAVING THE MUZZLE WILL CREATE AN EXCESSIVE AMOUNT OF PRESSURE TO BUILD UP BEHIND IT AND MAY LEAD TO EXTENSIVE DAMAGE TO THE FIREARM AND PERSONAL INJURY TO THE SHOOTER AND/OR BYSTANDERS. SAFE OPERATION IS**

**YOUR RESPONSIBILITY AND CAN ONLY BE CONTROLLED BY YOU!**

**THE USE OF RELOADS, HANDLOADS, MILITARY SURPLUS, OR ANY OTHER COMMERCIAL/ NONCOMMERCIAL AMMUNITION NOT MANUFACTURED TO SAAMI (SPORTING ARMS AND AMMUNITION MANUFACTURERS' INSTITUTE, INC.) / ANSI (AMERICAN NATIONAL STANDARDS INSTITUTE) SPECIFICATIONS WILL VOID THE WARRANTY.**

**KNOW YOUR GUN! IF ANYTHING 'FEELS' OR SOUNDS DIFFERENT WHEN LOADING OR SHOOTING - STOP - AND HAVE A QUALIFIED GUNSMITH TAKE A LOOK! NEVER TAKE A CHANCE WITH SOMETHING THAT YOU ARE UNSURE OF ... ALWAYS ASK A PROFESSIONAL.**

### **TOP LOAD OR HINGED FLOOR PLATE**

1. With the muzzle pointed in a safe direction, move the safety forward to the SAFETY OFF – READY TO FIRE position.
2. Lift the bolt handle but do not pull to the rear.
3. Move the safety fully rearward to the FULL SAFE position.
4. Pull bolt handle rearward.
  - The safety will move to the MID SAFE position automatically when the bolt is closed.
5. As shown in FIGURE 24, load the correct caliber cartridges into the magazine by pressing downward, filling the magazine to capacity (see SECTION 9 – AMMUNITION).



**FIGURE 24**

6. Moving the bolt handle forward will push the first cartridge from the magazine into the chamber.

**WHEN THE BOLT IS FULLY CLOSED, A LIVE CARTRIDGE WILL BE IN THE CHAMBER.**

**CLOSE THE BOLT SLOWLY TO BE SURE THE CARTRIDGE IS ALIGNED WITH THE CHAMBER. IF RESISTANCE IS FELT OR THE BOLT DOES NOT CLOSE, PULL REARWARD ON THE BOLT HANDLE, OPENING THE ACTION. CAREFULLY INSPECT THE TIP OF THE BULLET AND THE CARTRIDGE CASE TO BE SURE THAT THEY HAVE NOT BEEN DAMAGED, REINSERT IN THE MAGAZINE, AND CLOSE THE BOLT. IF IT HAPPENS AGAIN, TRY A NEW CARTRIDGE. IF THE PROBLEM PERSISTS, CALL SAVAGE ARMS – CUSTOMER SERVICE.**

**ALWAYS KEEP THE MUZZLE POINTED IN A SAFE DIRECTION.**

7. Move the safety fully rearward to the FULL SAFE position, locking the bolt handle.

### **DETACHABLE BOX MAGAZINE**

1. With the muzzle pointed in a safe direction, move the safety forward to the SAFETY OFF – READY TO FIRE position.
2. Lift the bolt handle but do not pull to the rear.
3. Move the safety fully rearward to the FULL SAFE position.
4. Pull bolt handle rearward.
  - The safety will move to the MID SAFE position automatically when the bolt is closed.
5. With one hand prepared to catch the detachable box magazine, push the magazine release button on the bottom of the stock rearward (see FIGURE 25).



**FIGURE 25**

6. As shown in FIGURE 26, load the correct caliber cartridges into the detachable box magazine by pressing downward, filling the



magazine to capacity (see SECTION 9 – AMMUNITION BULLET WEIGHTS/ MAGAZINE CAPACITIES).



FIGURE 26

7. Insert the detachable box magazine back into the stock opening by engaging the **rear first** and then pressing **upward on the front** until the latch is fully engaged.
8. Moving the bolt handle forward will push the first cartridge from the detachable box magazine into the chamber.

**WHEN THE BOLT IS FULLY CLOSED, A LIVE CARTRIDGE WILL BE IN THE CHAMBER.**

**CLOSE THE BOLT SLOWLY TO BE SURE THE CARTRIDGE IS ALIGNED WITH THE CHAMBER. IF RESISTANCE IS FELT OR THE BOLT DOES NOT CLOSE, PULL REARWARD ON THE BOLT HANDLE, OPENING THE ACTION. CAREFULLY INSPECT THE TIP OF THE BULLET AND THE CARTRIDGE CASE TO BE SURE THAT THEY HAVE NOT BEEN DAMAGED, REINSERT IN THE MAGAZINE,**

**AND CLOSE THE BOLT. IF IT HAPPENS AGAIN, TRY A NEW CARTRIDGE. IF THE PROBLEM PERSISTS, CALL SAVAGE ARMS – CUSTOMER SERVICE.**

**ALWAYS KEEP THE MUZZLE POINTED IN A SAFE DIRECTION.**

9. Move the safety fully rearward to the FULL SAFE position, locking the bolt handle.

#### **TO LOAD A SINGLE CARTRIDGE INTO THE CHAMBER**

1. With the muzzle pointed in a safe direction, insert a cartridge into the chamber as shown in FIGURE 27.
2. Depressing the cartridges in the magazine with one hand, slowly push the bolt forward allowing it to slide over the top of the cartridges in the magazine.
3. Push the bolt handle down then immediately move the safety fully rearward to the FULL SAFE position.

**WHEN THE BOLT IS FULLY CLOSED, A LIVE CARTRIDGE WILL BE IN THE CHAMBER.**

**ALWAYS KEEP THE MUZZLE POINTED IN A SAFE DIRECTION.**



FIGURE 27

#### **TO FIRE**

**SAVAGE ARMS OFFERS CERTAIN MODEL FIREARMS WITH AN ACCUTRIGGER - A SPECIALLY DESIGNED USER ADJUSTABLE TRIGGER. IT IS THE SOLE RESPONSIBILITY OF THE SHOOTER TO EXERCISE EXTREME CARE WHILE ADJUSTING/HANDLING THESE FIREARMS. SAVAGE ARMS ACCEPTS NO RESPONSIBILITY/LIABILITY FOR ANY DIRECT AND/OR CONSEQUENTIAL DAMAGE AND/OR INJURY RESULTING FROM THE MISUSE AND/OR MISHANDLING OF A FIREARM. AS WITH ANY PRECISION TUNED MECHANICAL DEVICE, PERIODIC INSPECTION/ MAINTENANCE IS REQUIRED - AND YOUR RESPONSIBILITY!**

**WITH SAFETY AS OUR PRIMARY CONCERN, THE ACCUTRIGGER DESIGN REQUIRES THE SHOOTER TO PLACE THEIR FINGER SQUARELY OVER THE ACCURELEASE (SEE FIGURE 28).**



**FIGURE 28**

**PULLING THE TRIGGER FROM THE SIDE OR NOT DIRECTLY REARWARD WILL CAUSE THE SEAR TO DISENGAGE AND BE BLOCKED BY THE ACCURELEASE. ALTHOUGH A 'CLICK' MAY BE HEARD, THE SEAR IS BLOCKED, PREVENTING THE FIRING PIN FROM HITTING THE PRIMER. WHEN THIS HAPPENS, THE BOLT MUST BE RAISED AND LOWERED TO 'RECOCK' THE FIREARM.**

**DO NOT MOVE THE SAFETY FORWARD TO THE SAFETY OFF – READY TO FIRE POSITION UNTIL YOU ARE READY TO SHOOT.**

**THE ONLY TIME YOU CAN BE ABSOLUTELY CERTAIN THAT A GUN CANNOT FIRE IS WHEN THE ACTION IS OPEN AND IT IS COMPLETELY EMPTY OF AMMUNITION.**

**NEVER TOUCH THE TRIGGER ON A FIREARM UNTIL YOU ACTUALLY INTEND TO SHOOT.**

**NEVER POINT YOUR GUN AT ANYTHING YOU**

**DO NOT INTEND TO SHOOT.**

**BE SURE TO WEAR ADEQUATE EYE AND HEARING PROTECTION (CONSULT MANUFACTURER FOR THEIR RECOMMENDATION) WHEN EVER YOU INTEND TO SHOOT. HEARING LOSS AS WELL AS IRREPARABLE EYE DAMAGE CAN OCCUR UNLESS YOUR EYES AND EARS ARE PROPERLY PROTECTED .**

**ALWAYS KEEP THE MUZZLE POINTED IN A SAFE DIRECTION.**

1. Keep your finger off the trigger and out of the trigger guard until you are ready to shoot.
2. Always look carefully around to be sure that no one will cross in front of you when you are ready to shoot.
3. Place the firearm to your shoulder and move the safety forward to the SAFETY OFF – READY TO FIRE position and take aim.
4. Place your finger in the trigger guard and when you are on target, squeeze the trigger slowly.

**BE SURE TO PLACE YOUR FINGER SQUARELY OVER THE ACCURELEASE. PULLING THE TRIGGER FROM THE SIDE OR NOT DIRECTLY REARWARD (SEE FIGURE 29) WILL CAUSE THE SEAR TO DISENGAGE. ALTHOUGH A 'CLICK' MAY BE HEARD, THE SEAR IS BLOCKED, PREVENTING THE FIRING PIN FROM HITTING THE PRIMER. WHEN THIS HAPPENS, THE BOLT MUST BE RAISED AND LOWERED TO 'RECOCK' THE FIREARM.**



**FIGURE 29**

**NO ONE CAN CALL A BULLET BACK.**

5. Pull up and fully rearward on the bolt handle to open the bolt and extract the fired case.
6. Moving the bolt handle forward will push the next cartridge (if there is one) from the magazine into the chamber.
7. Move the safety fully rearward to the FULL SAFE position, locking the bolt handle.

**IT IS A GOOD PRACTICE TO CHECK THE ACTION SCREWS BEFORE AND AFTER EACH SHOOTING SESSION TO VERIFY THEY ARE SECURE.**

**UNLOADING YOUR RIFLE TOP LOADING OR DETACHABLE BOX MAGAZINE**

**KEEP YOUR FINGERS AWAY FROM THE TRIGGER.**

**KEEP THE MUZZLE POINTED IN A SAFE DIRECTION.**

1. If the firearm is designed with a DETACHABLE BOX MAGAZINE, push the magazine release button rearward (see FIGURE 19) to remove the magazine.
2. **With the muzzle pointed in a safe direction,** your finger completely away from the trigger and out of the trigger guard, move the safety forward to the SAFETY OFF – READY TO FIRE position.

**KEEP YOUR FINGERS AWAY FROM THE TRIGGER.**

3. Lift the bolt handle but do not pull to the rear.
4. Move the safety fully rearward to the FULL SAFE position, then push the bolt handle downward.
5. The safety will move to the MID SAFE position automatically, allowing the action to be cycled while the trigger is still being blocked.
6. Placing one hand over the ejection port, your finger completely away from the trigger and out of the trigger guard, lift the bolt handle and slowly pull to the rear to extract the cartridge from the chamber.
7. Remove the cartridge with your fingers.
8. If the firearm is designed with a TOP LOADING magazine, push the bolt fully forward until it engages the next cartridge behind the extractor.
9. Slowly pull the bolt handle to the rear to extract the next cartridge.

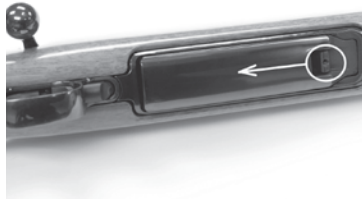
10. Repeat steps 6 through 7 until the magazine is empty.

**LOOK AND FEEL! BE SURE THE CHAMBER AND MAGAZINE ARE COMPLETELY EMPTY -- DO NOT ASSUME!**

**A LOADED GUN HAS NO PLACE IN OR NEAR A VEHICLE OR BUILDING.**

**HINGED FLOOR PLATE**

1. Supporting the firearm with one hand, position your other hand under the hinged floor plate.
2. Push the release button as shown in FIGURE 30 to unlatch the Hinged Floor Plate.



**FIGURE 30**

3. Slowly allow the Hinged Floor Plate to rotate downward, releasing the cartridges into your awaiting hand (see FIGURE 31).



**FIGURE 31**

4. Place the cartridges in a secure area and close the Hinged Floor Plate by rotating upward until it latches securely into the frame.

**LOOK AND FEEL! BE SURE THE CHAMBER AND MAGAZINE ARE COMPLETELY EMPTY -- DO NOT ASSUME!**

## SECTION 6 – ACCUTRIGGER ADJUSTMENT

**SAFE OWNERSHIP IS YOUR RESPONSIBILITY. PRIOR TO ADJUSTING THE ACCUTRIGGER PLEASE THOROUGHLY READ AND UNDERSTAND THE INSTRUCTION MANUAL IN ITS ENTIRETY.**

**MAKE SURE THE FIREARM IS UNLOADED AND THE BOLT IS OPEN BEFORE REMOVING THE STOCK AND ADJUSTING THE ACCUTRIGGER.**

1. Insert the ACCUTRIGGER supplied tool into the bottom of the trigger return spring as shown, to engage the spring-tail with the slot on the tool. Turn the trigger return spring (A) with the trigger adjustment tool (B) as shown in FIGURE 32 and FIGURE 33.
2. To adjust towards the higher range of pull, turn the tool clockwise. The maximum trigger pull is at the point where the spring “clicks” when rotated (see FIGURE 32).
3. To adjust towards the lower range of pull, turn the tool counter-clockwise. The minimum trigger pull is at the point where the large coil contacts the top surface of the trigger and you detect resistance (see FIGURE 33).

THE SPRING SHOULD NOT BE FORCED BEYOND THESE LIMITS.

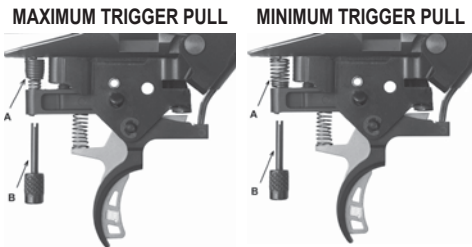


FIGURE 32

FIGURE 33

4. The **ACCURELEASE** (see FIGURE 34 and FIGURE 35) adds an additional level of safety by stopping the sear if the rifle is accidentally jarred or dropped with the safety in the “FIRE” position.

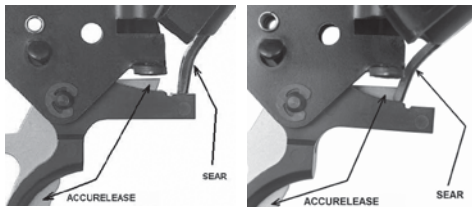


FIGURE 34

FIGURE 35

**EXCESSIVE JARRING OR PULLING THE TRIGGER WITHOUT DEPRESSING THE ACCURELEASE MAY CAUSE THE SEAR TO**

**MOVE (SEE FIGURE 35). AS DESIGNED, THE ACCURELEASE WILL PREVENT ACCIDENTAL DISCHARGE BY ‘LOCKING’ THE TRIGGER WHEN USED PROPERLY. MAINTAINED AND SERVICED REGULARLY. IN THIS EVENT, THE BOLT MUST BE RE-COCKED IN ORDER TO RESET THE SEAR.**

**WHEN THE SEAR IS BLOCKED BY THE ACCURELEASE (SEE FIGURE 35), THE FIRING PIN IS RESTRAINED WITHIN THE BOLT ASSEMBLY, PREVENTING IT FROM HITTING THE PRIMER. THE ‘CLICK’ THAT IS HEARD IS THE ACTUAL SEAR BEING BLOCKED BY THE ACCURELEASE, NOT THE FIRING PIN!**

***KNOW YOUR GUN! IF ANYTHING ‘FEELS’ OR SOUNDS DIFFERENT - STOP - AND HAVE A QUALIFIED GUNSMITH TAKE A LOOK! NEVER TAKE A CHANCE WITH SOMETHING THAT YOU ARE UNSURE OF ... ALWAYS ASK A PROFESSIONAL.***

## SECTION 7 – MUZZLE BRAKE

**THIS SECTION ONLY APPLIES TO FIREARMS EQUIPPED WITH A SAVAGE ARMS MUZZLE BRAKE – ADJUSTABLE OR FIXED.**

**NEVER ADJUST THE MUZZLE BRAKE IF THE FIREARM IS LOADED.**

**ALWAYS WEAR EAR AND EYE PROTECTION.**

**WHEN SHOOTING WITH THE MUZZLE BRAKE OPEN, BE SURE THE MUZZLE IS IN A CLEAR AREA; FREE OF DEBRIS AND OTHER SHOOTERS.**

**IN ORDER TO REDUCE THE RECOIL, MUZZLE BRAKES ARE DESIGNED TO ALLOW PRESSURE TO ESCAPE IN A 360 DEGREE PATTERN PRIOR TO LEAVING THE BARREL. RELEASED THROUGH THE HOLES IN THE MUZZLE BRAKE, THIS PRESSURE IS EXTREMELY POWERFUL AND HOT. BEFORE FIRING, BE SURE YOUR HAND IS ON THE FOREND ONLY! PLACING YOUR HAND ON THE BARREL OR MUZZLE BRAKE WHEN SHOOTING WILL CAUSE SEVERE BODILY INJURY. THINK BEFORE YOU SHOOT – IT IS YOUR RESPONSIBILITY TO KNOW WHERE YOUR HANDS ARE AND THE PROXIMITY OF OTHERS TO THE OPEN MUZZLE BRAKE!**

**ADJUSTABLE MUZZLE BRAKE:**

TO OPEN (reduce recoil)

**BE SURE THE BOLT IS OPEN AND THERE IS NO LIVE AMMUNITION IN EITHER THE CHAMBER OR MAGAZINE.**

1. Hold the firearm in your strong (dominant) hand with the muzzle pointed forward.
2. Grasp the MUZZLE BRAKE with your other hand and twist it ¼ turn counterclockwise (you will hear a distinct “click”).
3. To be sure the MUZZLE BRAKE is open, the holes should be perfectly lined up; allowing you to see through them (see FIGURE 36).



FIGURE 36

TO CLOSE (full recoil)

**BE SURE THE BOLT IS OPEN AND THERE IS NO LIVE AMMUNITION IN EITHER THE CHAMBER OR MAGAZINE.**

1. Hold the firearm in your strong (dominant) hand with the muzzle pointed forward.
2. Grasp the MUZZLE BRAKE with your other hand and twist it ¼ turn clockwise (you will hear a distinct “click”).
3. To be sure the MUZZLE BRAKE is closed, the

holes will not be lined up; you will not be able to see through them (see FIGURE 37).



FIGURE 37

**FIXED MUZZLE BRAKE:**

**ALWAYS WEAR EAR AND EYE PROTECTION.**

**WHEN SHOOTING WITH AN OPEN MUZZLE BRAKE, BE SURE THE MUZZLE IS IN A CLEAR AREA; FREE OF DEBRIS AND OTHER SHOOTERS.**

**IN ORDER TO REDUCE THE RECOIL, MUZZLE BRAKES ARE DESIGNED TO ALLOW PRESSURE TO ESCAPE IN A 360 DEGREE PATTERN PRIOR TO LEAVING THE BARREL. RELEASED THROUGH THE HOLES IN THE MUZZLE BRAKE, THIS PRESSURE IS EXTREMELY POWERFUL AND HOT. BEFORE FIRING, BE SURE YOUR HAND IS ON THE FOREND ONLY! PLACING YOUR HAND ON THE BARREL OR MUZZLE BRAKE WHEN SHOOTING WILL CAUSE SEVERE BODILY INJURY. THINK BEFORE YOU SHOOT – IT IS**

**YOUR RESPONSIBILITY TO KNOW WHERE YOUR HANDS ARE AND THE PROXIMITY OF OTHERS TO THE OPEN MUZZLE BRAKE!**

As the name describes, the FIXED MUZZLE BRAKE is open (“on”) and cannot be closed (“off”) (see FIGURE 38).



**FIGURE 38**

**AND MAY CAUSE THE BRAKE TO MALFUNCTION.**

**KNOW YOUR GUN! IF ANYTHING ‘FEELS’ OR SOUNDS DIFFERENT - STOP - AND HAVE A QUALIFIED GUNSMITH TAKE A LOOK! NEVER TAKE A CHANCE WITH SOMETHING THAT YOU ARE UNSURE OF ... ALWAYS ASK A PROFESSIONAL.**

**TO CLEAN THE ADJUSTABLE MUZZLE BRAKE BE SURE THE BOLT IS OPEN AND THERE IS NO LIVE AMMUNITION IN EITHER THE CHAMBER OR MAGAZINE.**

1. After each use, position the MUZZLE BRAKE in the closed position.
2. Liberally apply a cleaning solvent that DOES NOT contain oil (such as a brake cleaner found in auto parts store).
3. Open and close the MUZZLE BRAKE, working the solvent into the mechanism to flush out any residue and prevent carbon build-up.

**APPLYING OIL TO THE ADJUSTABLE MUZZLE BRAKE WILL INCREASE CARBON BUILD-UP**

## SECTION 8 – PARTS LIST AND DIAGRAM

As a 'customer driven' company, some parts may now be ordered directly from our web site (WWW.SAVAGEARMS.COM) twenty four hours a day, needing only your serial number and credit card. For accessing our part finder via your Smartphone, please use the QR Code below. Should you not have access to our web site, parts can be ordered directly from Savage Arms [413-568-7001] between the hours of 9:00 and 4:00 (Eastern Time). There is a minimum order and please allow 2 weeks for delivery. Only the parts indicated may be purchased by an individual. All other parts/subassemblies are either 'factory fit' or available to qualified gunsmiths only.

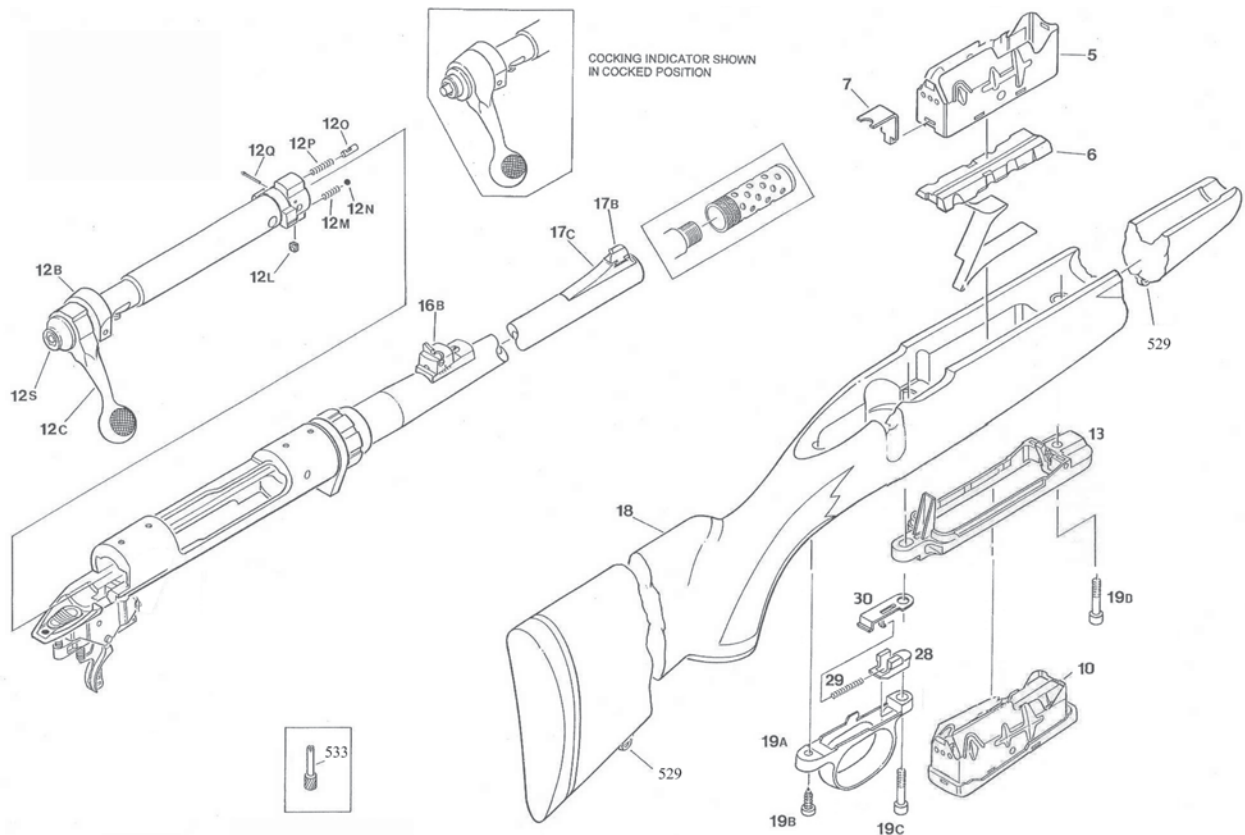
Please be advised that some parts may require fitting. Savage Arms bears no responsibility for the function or performance of any firearm that has been repaired or modified by other than Savage Arms Service Department. As such, Savage Arms accepts no responsibility/liability for any direct and/or consequential damage and/or injury resulting from the use of a firearm repaired or modified by other than the Savage Arms Service Department.

***QR Code for your Smartphone for purchasing parts directly from our website – no calls – no waiting – 24 hours a day.***



**STORE.SAVAGEARMS.COM/PARTFINDER**

**BOTTOM RELEASE MODELS:**  
**ACCUTRIGGER (BOTTOM RELEASE): TOP LOAD AND DETACHABLE BOX MAGAZINE**

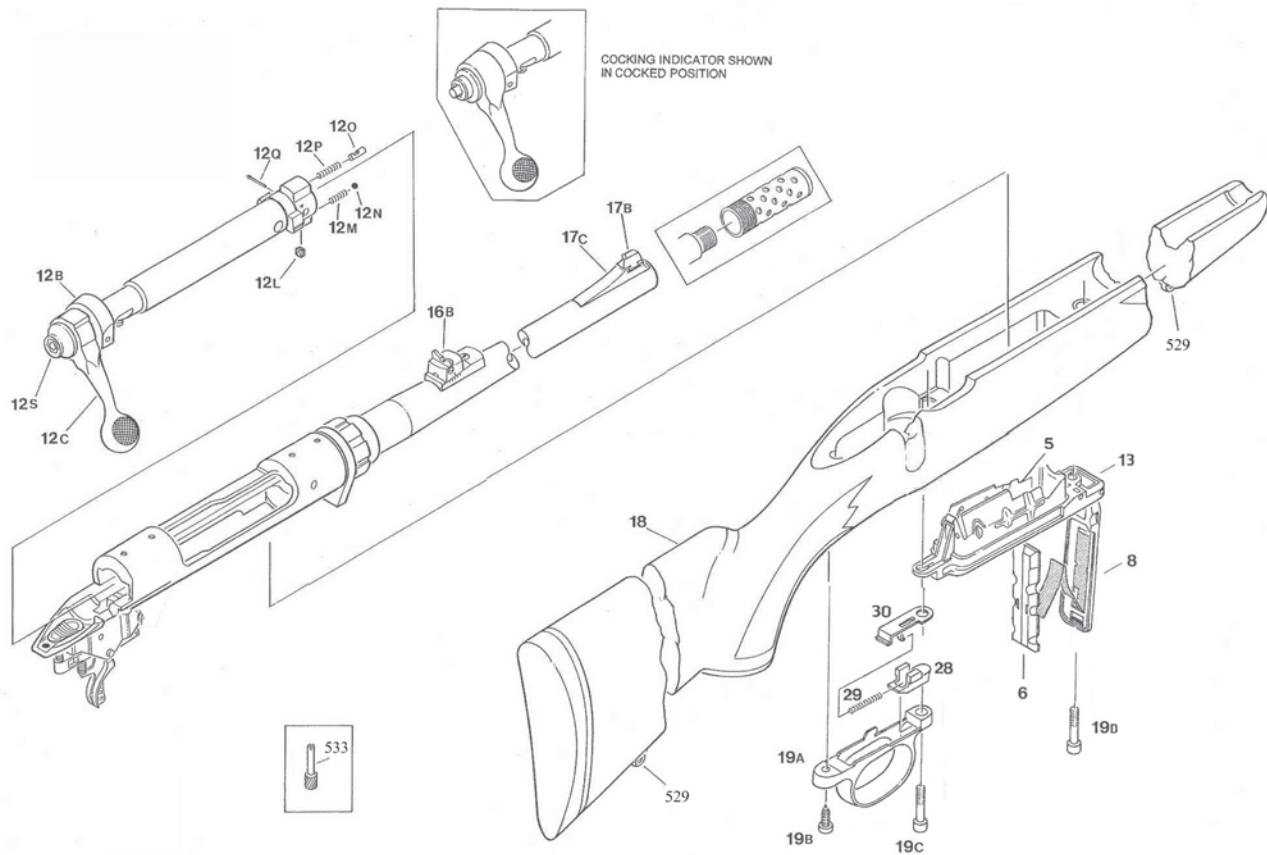




<b><u>Item #</u></b>	<b><u>Description</u></b>
5	Magazine box
6	Magazine follower assembly
7	Magazine retaining clip
10	Detachable box magazine assembly
12B	Rear baffle assembly
12C	Bolt handle
12L	Extractor
12M	Extractor spring
12N	1/8" steel ball
12O	Ejector
12P	Ejector spring
12Q	Ejector retaining pin
12S	Bolt assembly screw
13	Frame assembly

<b><u>Item #</u></b>	<b><u>Description</u></b>
16B	Rear sight assembly
17B	Front sight blade
17C	Front sight base
18	Stock assembly
19A	Trigger guard
19B	Rear trigger guard screw
19C	Rear action screw
19D	Front action screw
28	Bolt Release Button
29	Button Spring
30	Button Retainer
529	Swivel stud
533	Tension adjustment tool

# ACCUTRIGGER (BOTTOM RELEASE): HINGED FLOOR PLATE

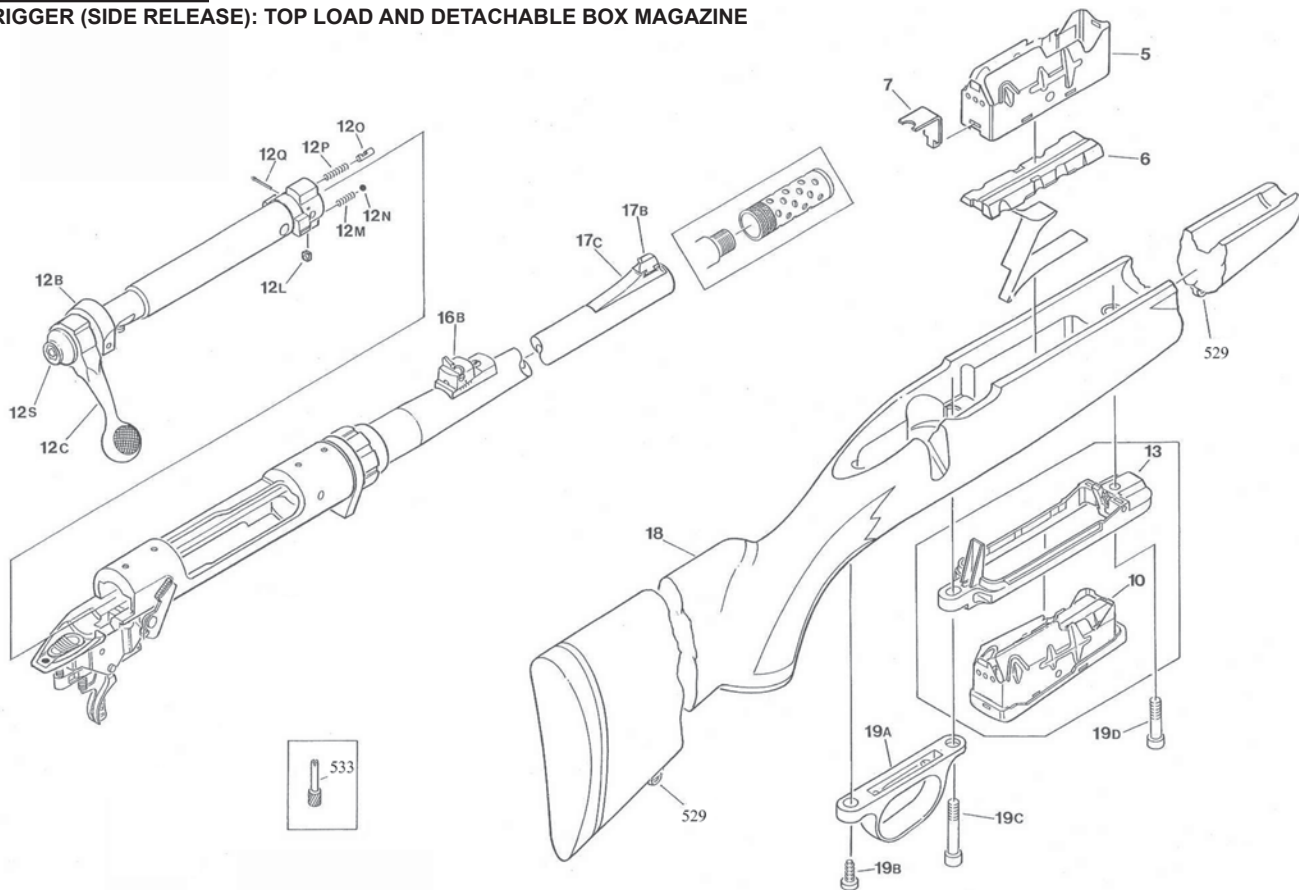


<b><u>Item #</u></b>	<b><u>Description</u></b>
5	Magazine box
6	Magazine follower assembly
8	Hinge plate
12B	Rear baffle assembly
12C	Bolt handle
12L	Extractor
12M	Extractor spring
12N	1/8" steel ball
12O	Ejector
12P	Ejector spring
12Q	Ejector retaining pin
12S	Bolt assembly screw
13	Frame assembly

<b><u>Item #</u></b>	<b><u>Description</u></b>
16B	Rear sight assembly
17B	Front sight blade
17C	Front sight base
18	Stock assembly
19A	Trigger guard
19B	Rear trigger guard screw
19C	Rear action screw
19D	Front action screw
28	Bolt Release Button
29	Button Spring
30	Button Retainer
529	Swivel stud
533	Tension adjustment tool

**SIDE RELEASE MODELS:**

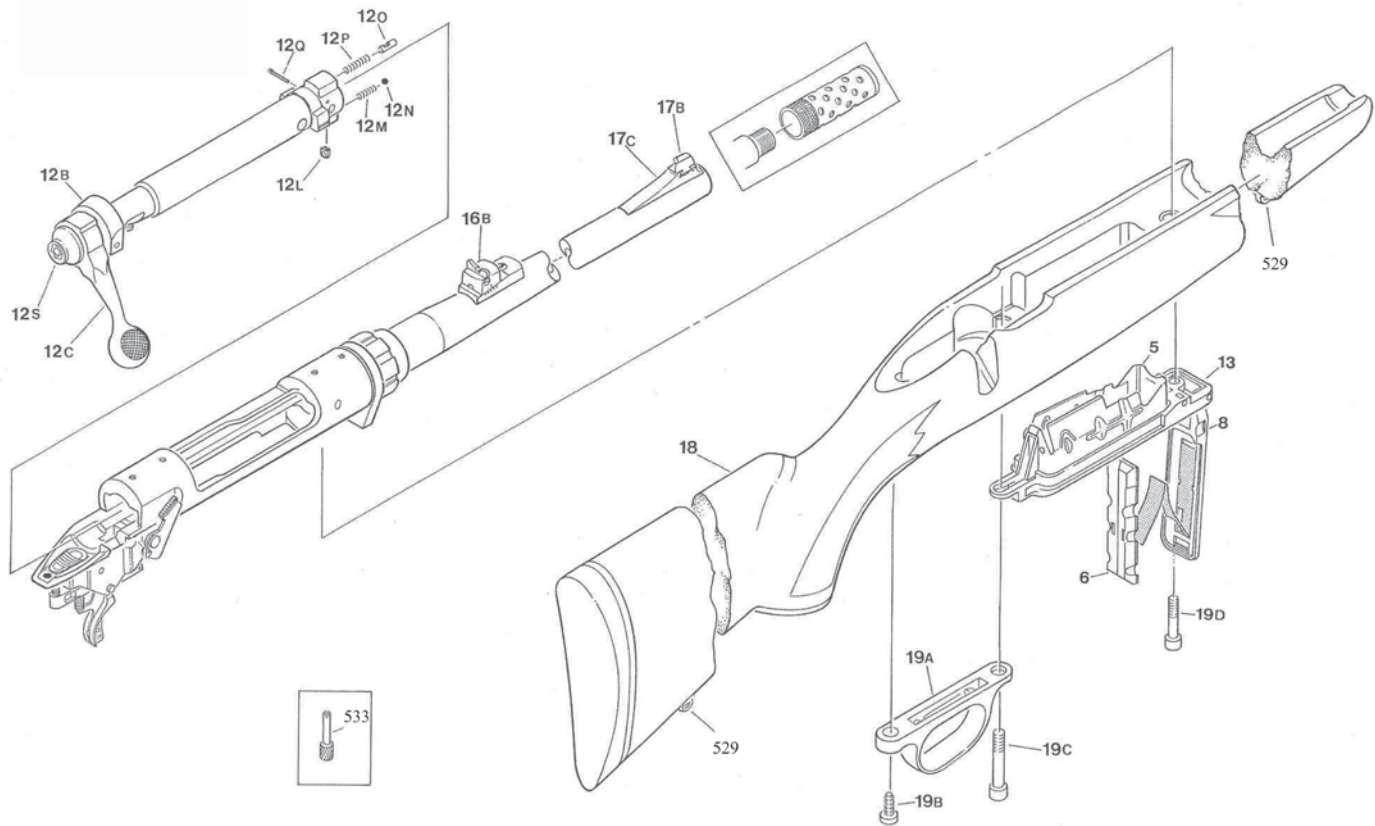
**ACCUTRIGGER (SIDE RELEASE): TOP LOAD AND DETACHABLE BOX MAGAZINE**



<b><u>Item #</u></b>	<b><u>Description</u></b>
5	Magazine box
6	Magazine follower assembly
7	Magazine retaining clip
10	Detachable box magazine assembly
12B	Rear baffle assembly
12C	Bolt handle
12L	Extractor
12M	Extractor spring
12N	1/8" steel ball
12O	Ejector
12P	Ejector spring
12Q	Ejector retaining pin

<b><u>Item #</u></b>	<b><u>Description</u></b>
12S	Bolt assembly screw
13	Frame assembly
16B	Rear sight assembly
17B	Front sight blade
17C	Front sight base
18	Stock assembly
19A	Trigger guard
19B	Rear trigger guard screw
19C	Rear action screw
19D	Front action screw
529	Swivel stud
533	Tension adjustment tool

ACCUTRIGGER (SIDE RELEASE): HINGED FLOOR PLATE



<b><u>Item #</u></b>	<b><u>Description</u></b>
5	Magazine box
6	Magazine follower assembly
8	Magazine bottom
12B	Rear baffle assembly
12C	Bolt handle
12L	Extractor
12M	Extractor spring
12N	1/8" steel ball
12O	Ejector
12P	Ejector spring
12Q	Ejector retaining pin
12S	Bolt assembly screw

<b><u>Item #</u></b>	<b><u>Description</u></b>
13	Frame assembly
16B	Rear sight assembly
17B	Front sight blade
17C	Front sight base
18	Stock assembly
19A	Trigger guard
19B	Rear trigger guard screw
19C	Rear action screw
19D	Front action screw
529	Swivel stud
533	Tension adjustment tool

## SECTION 9 - AMMUNITION BULLET WEIGHTS AND MAGAZINE CAPACITIES

Bullet specifications and trajectories are available directly from the ammunition manufacturer.

The following table lists the bullet weights used for 100 yard targeting evaluation at Savage Arms. Performance may vary based on brand/type of ammunition, individual characteristics of the firearm, and/or shooting conditions.

**USE ONLY THE CORRECT AMMUNITION THAT IS STAMPED ON THE BARREL.**

**THE USE OF RELOADS, HANDLOADS, MILITARY SURPLUS, OR ANY OTHER COMMERCIAL / NONCOMMERCIAL AMMUNITION NOT MANUFACTURED TO SAAMI (SPORTING ARMS AND AMMUNITION MANUFACTURERS' INSTITUTE, INC.) / ANSI (AMERICAN NATIONAL STANDARDS INSTITUTE) SPECIFICATIONS WILL VOID THE WARRANTY.**

Caliber	Bullet Weight (Grains)
204 Ruger	Hornady 40 grain V Max
22-250 Remington – 1 in 12" twist	Federal V Shock 40 grain Nosler Ballistic Tip
22-250 Remington – 1 in 9" twist	Winchester 50 grain BST
222 Remington	Hornady 40 grain VMax
223 Remington – 1 in 7" twist	Federal 77 grain Sierra Match King
223 Remington – 1 in 9" twist	Federal 69 grain Sierra Match King BTHP
243 Winchester	Federal 70 grain Nosler Ballistic Tip
25-06 Remington	Federal 100 grain Nosler Ballistic Tip
250 Savage	Winchester 100 grain Silver Tip
260 Remington	Federal 120 grain Nosler Ballistic Tip
270 Winchester	Federal 130 grain Nosler Ballistic Tip
270 Winchester Short Magnum	Winchester 130 grain Ballistic Silver Tip
300 Winchester Magnum	Winchester 180 grain Ballistic Silver Tip
300 Winchester Short Magnum	Winchester 150 grain Ballistic Silver Tip
300 Savage	Winchester 150 grain Power Point
30-06 Springfield	Federal 168 grain Sierra Match King BTHP
308 Winchester	Federal 168 grain Sierra Match King BTHP
325 Winchester Short Magnum	Winchester 180 grain Silver Ballistic Tip
338 Winchester Magnum	Nosler 210 grain Partition
338 Lapua Magnum	Black Hills 250 grain BTHP
375H&H	Federal 250 grain Trophy Bonded Bear Claw
375 Ruger	Hornady 270 grain SP-RP
6.5 Creedmoor	Hornady 140 grain A-Max
6.5 X 284 Norma	Nosler 120 grain Boat Tail
7mm Remington Magnum	Federal 150 grain Nosler Ballistic Tip
7mm-08 Remington	Winchester 140 grain Ballistic Silver Tip
7.62 X 39MM	Hornady 123 grain V-Max



Caliber	Magazine Capacity
204 Ruger	4
22-250 Remington	4
222 REM	4
223 Remington	4
243 Winchester	4
25-06 Remington	4
250 Savage	4
260 Rem	4
270 Winchester	4
270 Winchester Short Magnum	2
300 Winchester Magnum	3
300 Winchester Short Magnum	2
300 Savage	4
30-06 Springfield	4
308 Winchester	4
325 Winchester Short Magnum	2
338 Winchester Magnum	2
375H&H	3
375 Ruger	3
6.5 Creedmoor	4
6.5 X 284 Norma	4
7mm Remington Magnum	3
7mm-08 Remington	4
7.62 X 39MM	3

**SECTION 10 – RINGS AND BASES FOR MOUNTING A SCOPE**

The following are some companies that manufacture *RINGS* that may be used with a weaver style base or their own design.

The manufacturers listed below should be contacted for specific part numbers and information.

WEAVER MOUNTS  
[www.weaver-mounts.com](http://www.weaver-mounts.com)

BURRIS  
[www.burrisoptics.com](http://www.burrisoptics.com)

KWIK-SITE  
[www.kwiksitecorp.com](http://www.kwiksitecorp.com)

MILLETT  
[www.millettsights.com](http://www.millettsights.com)

B-SQUARE  
[www.b-square.com](http://www.b-square.com)

LEUPOLD  
[www.leupold.com](http://www.leupold.com)

LEATHERWOOD /HI-LUX OPTICS  
[www.leatherwoodoptics.com](http://www.leatherwoodoptics.com)

WARNE SCOPE MOUNTS  
[www.warnescopemounts.com](http://www.warnescopemounts.com)

EVOLUTION GUN WORKS (EGW)  
[www.egwguns.com](http://www.egwguns.com)

## SECTION 11 – MAINTENANCE

### ROUTINE MAINTENANCE:

***YOUR GUN IS A MECHANICAL DEVICE WHICH WILL NOT LAST FOREVER AND IS SUBJECT TO WEAR. AS WITH ANY PRECISION TUNED MECHANICAL DEVICE, PERIODIC INSPECTION/ MAINTENANCE IS REQUIRED – AND YOUR RESPONSIBILITY!***

1.- TIMEFRAMES: It is difficult to establish a time period or number of rounds as the basis for when a firearm should be examined, cleaned, and thoroughly inspected. Different shooting conditions, weather patterns, and types of ammunition, to list a few, all play a significant role in answering the questions 'when' and 'how often'. As a general rule, 'more often' is much safer than 'not enough'.

- As a start, the THREE POSITION SAFETY should be checked prior to loading live ammunition. This is an important step that should be done **every time** the firearm is prepared for use.
- Remove the bolt, look down the barrel to be sure it is clear of any obstruction and that there are no signs of damage (nicks, scratches, etc.), rust, or pitting.
- Check the outer surface of the barrel, running your fingers gently down its length, feeling for any bulges or signs of damage.
- While the bolt is out, inspect the bolt head, extractor, and ejector for signs of damage or signs of excessive wear.
- With the stock removed, carefully inspect the AccuTrigger and adjustment spring for

damage or foreign debris (twigs, grass, etc.) (see FIGURE 32).

- Carefully examine the stock and studs that secure the carrying strap.
  - Check the scope rings to be sure they have not loosened.
  - After the stock has been put back on, verify the action screws are tight.
- 2.- WHO SHOULD DO THE CHECKING: As the owner – or user – it is your primary responsibility to assure the firearm is safe prior to using it. Although we know its condition when it leaves the factory, we have no control or insight as to what has or has not been done once it leaves our hands.

After reading and understanding this INSTRUCTION MANUAL – and **prior to** loading with live ammunition - you should be very familiar and capable of handling the items noted above. In depth mechanical issues or questions as well as periodic examinations should be referred to a qualified gunsmith or Savage Arms Service Department. Mechanical devices will by the nature of their design, wear and as such may require very specific adjustments. In the wrong hands, a 'simple' adjustment could result in serious damage to the firearm or even worse, injury or death to the shooter or bystander.

***KNOW YOUR GUN! IF ANYTHING 'FEELS' OR SOUNDS DIFFERENT - STOP - AND HAVE A QUALIFIED GUNSMITH TAKE A LOOK! NEVER TAKE A CHANCE WITH SOMETHING THAT YOU ARE UNSURE OF ... ALWAYS ASK A PROFESSIONAL.***

***CLEANING AND CARE OF YOUR FIREARM BOLT ASSEMBLIES ARE SPECIFICALLY MATCHED TO A FIREARM. USING ANY OTHER BOLT ASSEMBLY MAY CAUSE EXTENSIVE DAMAGE TO THE FIREARM AND/OR SERIOUS INJURY TO THE SHOOTER OR BYSTANDER.***

***DISASSEMBLE ONLY ONE FIREARM AT A TIME TO AVOID INTERCHANGING COMPONENTS.***

***LOOK AND FEEL! BE SURE THE CHAMBER AND MAGAZINE ARE COMPLETELY EMPTY -- DO NOT ASSUME!!!***

***NEVER ATTEMPT TO DISASSEMBLE, CLEAN, OR OIL A LOADED FIREARM!***

***BE SURE TO READ AND UNDERSTAND ALL OF THE CAUTIONS AND WARNINGS ON ALL SOLVENTS AND CHEMICALS PRIOR TO USE. FOLLOW THE MANUFACTURER'S INSTRUCTIONS FOR BEST CLEANING RESULTS.***

1. Prepare an area for cleaning the firearm with a suitable surface, adequate ventilation, correct caliber cleaning rod, brush, patches, powder solvent, and oil.
2. Remove the bolt.
3. Lay the firearm horizontally with the ejection port facing down.

***ALWAYS STARTING FROM THE CHAMBER END, PUSH THE CLEANING ROD THROUGH***

### **THE BORE AND OUT THE MUZZLE END.**

4. Using a small amount of powder solvent on the brush, push the cleaning rod through the barrel several times.
5. Unscrew the brush from the cleaning rod and replace it with a patch tip.
6. Push a new patch through the bore starting from the chamber end and out the muzzle.
7. Repeat the prior step (# 6) several times.
8. Push a new patch saturated with gun oil through the bore.
9. Push a new dry patch through the bore to remove the excess oil.
10. When done, always verify that the "THREE POSITION SAFETY" is operational as explained in the beginning of SECTION 2.

**CHECK THE BORE CAREFULLY WHEN DONE TO BE SURE THERE ARE NO OBSTRUCTIONS (I.E. PIECES OF CLEANING PATCH, ETC.).**

**A VERY THIN FILM OF OIL IS SUFFICIENT PROTECTION – DO NOT OVER OIL!!!**

**FAILURE TO PROPERLY MAINTAIN YOUR FIREARM MAY LEAD TO DAMAGE AND/OR SERIOUS INJURY TO THE SHOOTER OR BYSTANDER.**

### **PROTECTING METAL SURFACES**

1. In order to be able to reach all surfaces, remove the bolt prior to cleaning and oiling.
2. With a soft cloth, remove any foreign matter (i.e. mud, twigs, grass).

3. Apply a thin coat of gun oil on all cleaned metal surfaces. Rubbing may be necessary to remove any signs of rust.
4. Where accessible, clean and lightly oil interior metal surfaces.
5. When done, always verify that the "THREE POSITION SAFETY" is operational as explained in the beginning of SECTION 2.

**DO NOT DISASSEMBLE THE BOLT ASSEMBLY.**

**CHECK THE BORE CAREFULLY WHEN DONE TO BE SURE THERE ARE NO OBSTRUCTIONS (I.E. PIECES OF CLEANING PATCH, ETC.).**

## **SECTION 12 – STATEMENT OF LIMITED WARRANTY**

### **STATEMENT OF LIMITED WARRANTY**

For your convenience, registration **may now be completed directly from our web site** ([WWW.SAVAGEARMS.COM](http://WWW.SAVAGEARMS.COM)) twenty four hours a day. Should you not have access to our web site, please complete the **WARRANTY REGISTRATION CARD** and return it to Savage Arms, Inc. within ten (10) days from the date of purchase.

#### **WHO IS COVERED?**

- The original owner (with proof of purchase).

#### **WHAT IS COVERED?**

- Any defect in materials or workmanship (performed by Savage Arms) encountered during normal use.

#### **HOW LONG IS THE WARRANTY PERIOD?**

- One (1) year from the date of purchase.

#### **WHAT IS NOT COVERED?**

**PERSONAL INJURY, PROPERTY DAMAGE, AND/OR DAMAGE TO THE FIREARM CAUSED BY:**

- Improper maintenance or negligence to provide proper care and maintenance.
- Alterations/modifications performed without the written authorization of Savage Arms, Inc. Service Department.
- Normal wear, tear, and/or corrosion.
- Accidental discharge, careless handling,

- and/or misuse.
- Barrel obstructions.

### **EXCLUSIONS AND LIMITATIONS:**

This *WARRANTY* and the remedies set forth herein are exclusive and take the place of all other expressed or implied *WARRANTIES* (including any implied *WARRANTY* of merchantability or fitness for any particular purpose which are disclaimed). No other representations or claims of any nature shall be binding on or obligate Savage Arms, Inc.

Savage Arms, Inc. excludes any incidental and consequential damages under this warranty. Some states do not allow exclusions or limitations on how long an implied warranty lasts, so the above limitations may not apply to you.

This *WARRANTY* gives you specific legal rights. You may have other rights, which will vary from state to state.

### **RETURNING A FIREARM:**

For *WARRANTY* claims, proof of purchase must accompany the firearm.

It is a violation of Federal Law to ship a firearm with live ammunition either in the detachable box magazine, chamber, or placed in the box. For the safety of all involved PLEASE be sure there is no ammunition in either the chamber, detachable box magazine, or box.

Savage Arms, Inc, is not responsible for the loss or damage to any accessories shipped with the firearm.

If there is a question whether the firearm should be returned or parts could be purchased, please call 1-413-568-7001 between 9:00 am and 4:00 p.m. Eastern Time and ask for the Service/Warranty Department.

All firearms are to be sent to Savage Arms, Inc. at the owner's expense. Warranty repairs will be returned to the owner at Savage Arms' expense.

1. Pack the firearm in its original box if possible. If a similar suitable box is used, care should be taken to protect the barrel/muzzle from breaking through. Always pack with the assumption that the firearm will undergo rough handling during transit to Savage Arms.
2. Enclose a brief note including:
  - name, address, and phone number of the sender
  - serial number of the firearm
  - description of the problem you are having
  - bullet weight, bullet type, and manufacturer of the ammunition you are using
  - any other information which you feel may be helpful.
3. Return to:  
Savage Arms, Inc.  
Attn: Service Department  
100 Springdale Road  
Westfield, MA 01085

4. If there will be a charge involved for the repair, a quote will be sent within fourteen (14) working days.

- If there is no response from the quote within thirty (30) days, the firearm will be returned COD (\$20.00 Shipping/Handling).

Firearms will be repaired typically 3 weeks after receipt of payment in the order they were received.

## WARRANTY REGISTRATION CARD

Please complete and return this card within 10 days from the date you purchased your firearm.

Name \_\_\_\_\_  
Address \_\_\_\_\_  
City \_\_\_\_\_ State \_\_\_\_\_ Zip \_\_\_\_\_  
Date of Purchase \_\_\_\_\_  
Email \_\_\_\_\_  
Model Number \_\_\_\_\_  
Caliber/Gauge \_\_\_\_\_  
Serial Number \_\_\_\_\_  
Price Paid \_\_\_\_\_ Your Age \_\_\_\_\_

To help us better understand our customers and enhance our products and service, we would appreciate answers to the following questions:

Where purchased:  Gun Shop  Sporting Goods Store  
 Discount Sporting Goods Store  Discount/Chain Store

The primary use of this firearm is:  
 Varmint Shooting  Target Shooting  Plinking  
 Big Game Hunting  Law Enforcement/Security

How many do you own: \_\_\_\_\_ Rifles \_\_\_\_\_ Shotguns \_\_\_\_\_ Handguns  
Is this your first Savage:  Yes  No

You selected a Savage because (rank 1-10, with 10 being most important)

\_\_\_\_\_ Durability \_\_\_\_\_ Company Reputation \_\_\_\_\_ Price  
\_\_\_\_\_ Catalog \_\_\_\_\_ Friend's Recommendation \_\_\_\_\_ Dealer/local Show  
\_\_\_\_\_ Function \_\_\_\_\_ Accuracy \_\_\_\_\_ Magazine Ad  
\_\_\_\_\_ TV Show \_\_\_\_\_ Dealer Recommendation \_\_\_\_\_ Other

Which group describes your family income:

Under \$20,000  \$20,000-\$39,999  \$40,000-\$59,999  \$60,000-\$74,999  
 \$75,000-\$99,999  \$100,000+

Estimated number of shells/cartridges you will use this year with this gun? \_\_\_\_\_

Do you read gun or hunting magazines?  Yes  No

List: \_\_\_\_\_

Do you watch gun or hunting shows?  Yes  No

List: \_\_\_\_\_

During what month did you investigate and decide on the model to buy? \_\_\_\_\_

Did your dealer:  Have the firearm in stock  Need to order it

Comments: \_\_\_\_\_

104796



Download a QR Code reader app  
for your Smartphone and  
then snap this to complete your  
WARRANTY REGISTRATION on-line.



## **WARNING**

Children are attracted to and can operate firearms that can cause severe injury or death. Prevent child access by always keeping guns locked away and unloaded when not in use. If you keep a loaded firearm where a child obtains and improperly uses it, you may be fined or sent to prison.



## **ADVERTENCIA**

A los niños los atraen las armas de fuego y las pueden hacer funcionar. Ellos pueden causarse lesiones graves y la muerte. Evite que los niños tengan acceso a las armas de fuego guardándolas siempre con llave y descargadas cuando no las esté utilizando. Si usted tiene un arma de fuego cargada en un lugar en que un niño tiene acceso a ella y la usa indebidamente, le pueden dar una multa o enviarlo a la cárcel.



108831 (1/16) Rev. 1

100 Springdale Road  
Westfield, MA 01085  
[www.savagearms.com](http://www.savagearms.com)