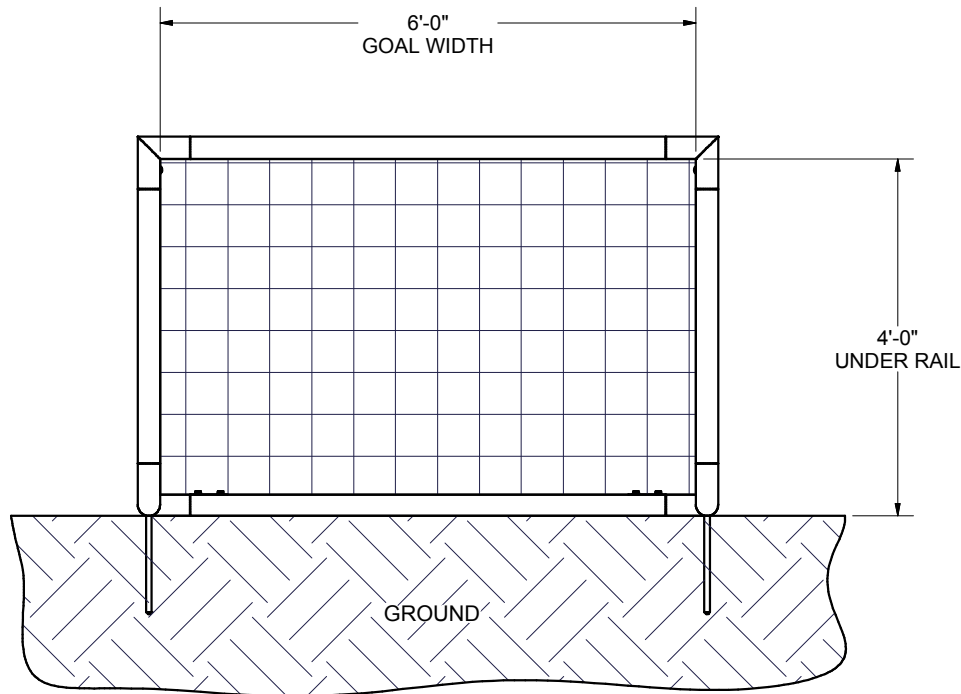
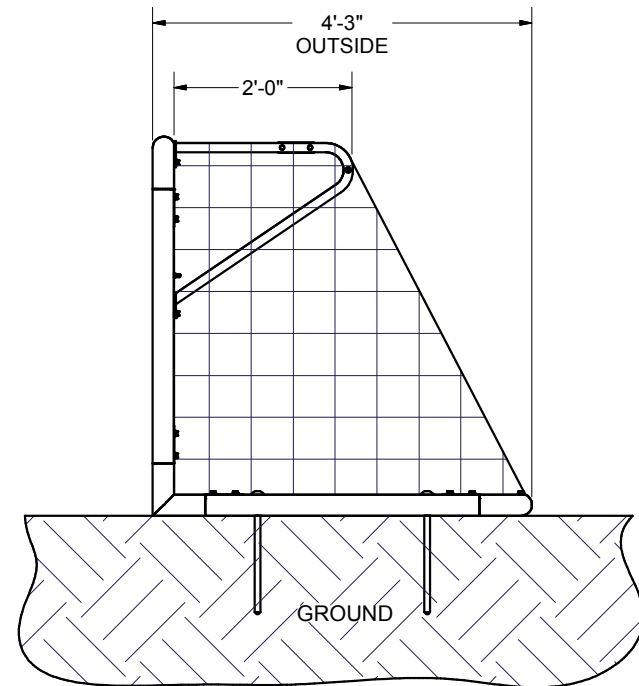


FRONT VIEW



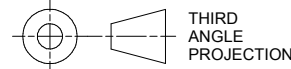
SIDE VIEW



FEATURES:

- 1) ALUMINUM GOAL FRAME AND BACKDROPS
- 2) FINISH: WHITE POWDER COAT
- 3) INCLUDED:
 - SEMI PERMANENT GROUND ANCHORS
 - 3 mm, WHITE NET
 - KWIK LOCK® NET CLIPS
- 4) ASSEMBLED GOAL WEIGHT: 64 LBS.
- 5) ASTM F2056-00 STANDARDS:
 - THIS GOAL DOES NOT FALL UNDER THE SCOPE OF ATSM F2056-00 BECAUSE OF IT'S SIZE AND/OR WEIGHT

Finish Info. White Powder Coat



THIRD ANGLE PROJECTION

KWIKGOAL® 140 Pacific Drive
Quakertown, Pa. 18951

DIMENSIONS ARE IN INCHES UNLESS OTHERWISE SPECIFIED

This item is the **exclusive** property of **KWIK GOAL LTD.** Reproduction or duplication **without** the express written consent of **KWIK GOAL LTD.** is **strictly forbidden.**

Approved By:

Date:

Drawn By: brush

Date: 3/5/2004

Sheet: 1 of 4

Revision #: 2

Cad File: 2B3001.idw

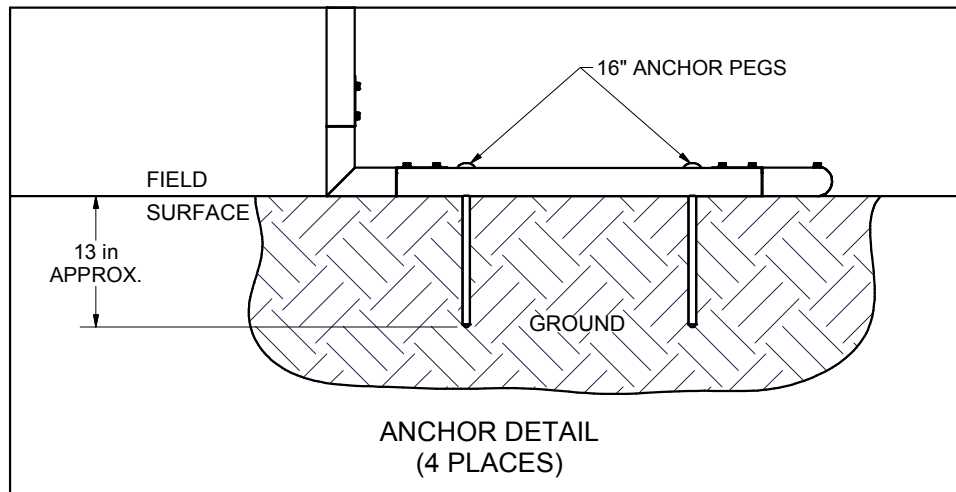
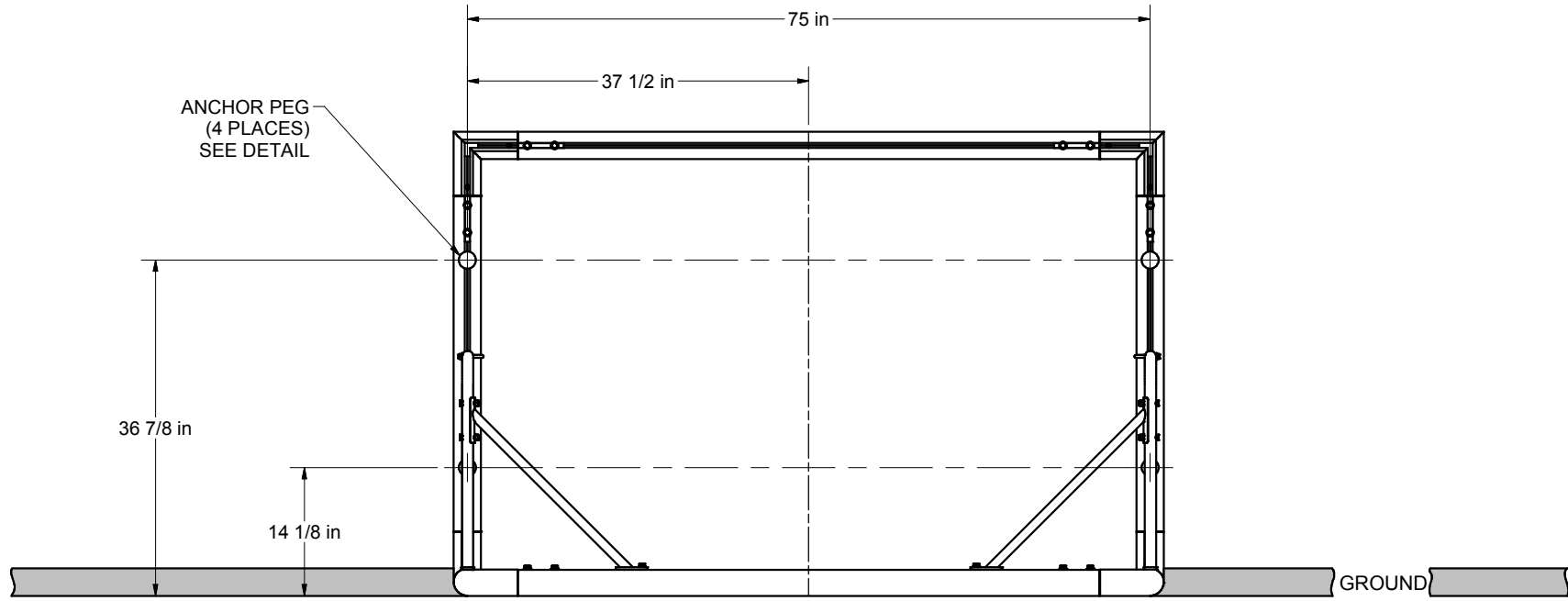
Part #:

2B3001

Desc:

4' X 6' European Club Goal

OVERHEAD VIEW

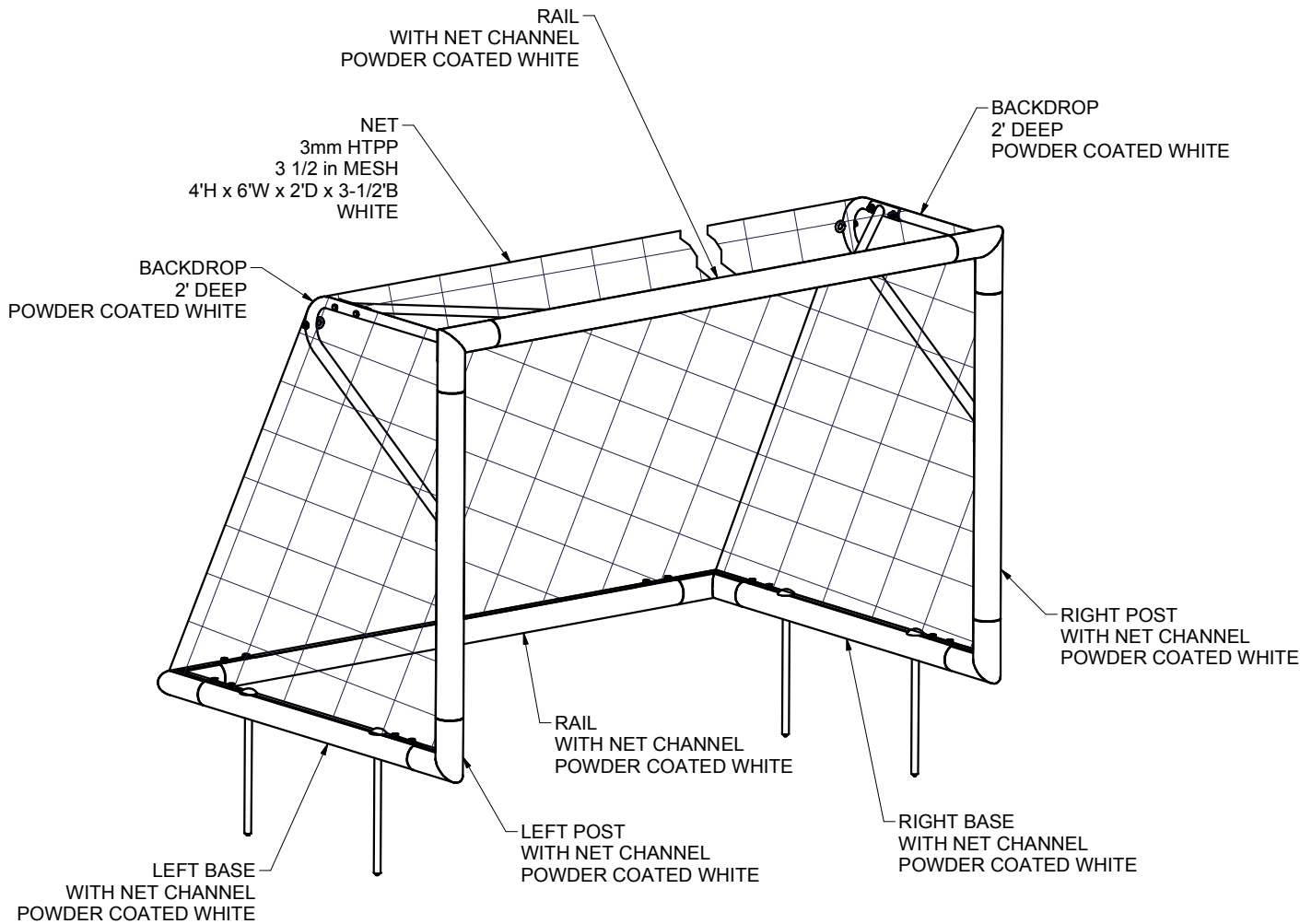


NOTES:

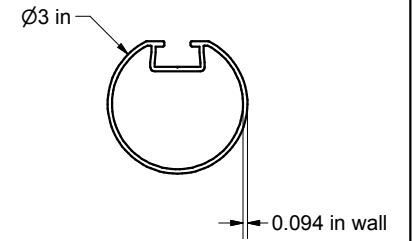
- 1) DIMENSIONS ARE FOR PLANNING PURPOSES. INSTALLATION MUST BE IN ACCORDANCE WITH INSTALLATION INSTRUCTIONS.

 THIRD ANGLE PROJECTION	 140 Pacific Drive Quakertown, Pa. 18951	
	DIMENSIONS ARE IN INCHES UNLESS OTHERWISE SPECIFIED	Approved By: Date:
This item is the exclusive property of KWIK GOAL LTD. Reproduction or duplication without the express written consent of KWIK GOAL LTD. is strictly forbidden.	Drawn By: brush	Desc: 4' X 6' European Club Goal
	Date: 3/5/2004	
	Sheet: 2 of 4	
	Revision #: 2	
Cad File: 2B3001.idw		

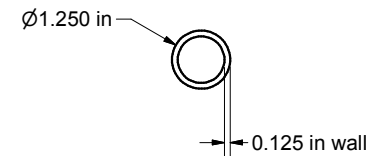
Finish Info. White Powder Coat



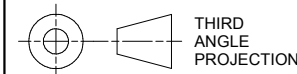
MATERIAL DETAILS



GOAL FRAME
MATERIAL - ALUMINUM



BACKDROP
MATERIAL - ALUMINUM



KWIKGOAL® 140 Pacific Drive
Quakertown,
Pa. 18951

DIMENSIONS ARE IN INCHES
UNLESS OTHERWISE SPECIFIED

Approved By:
Date:

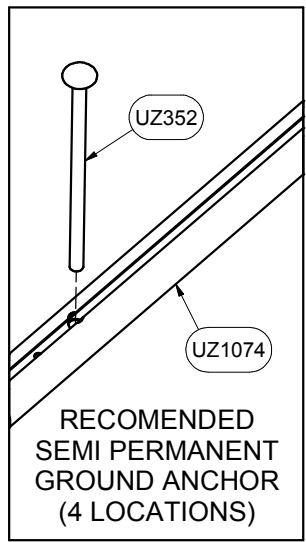
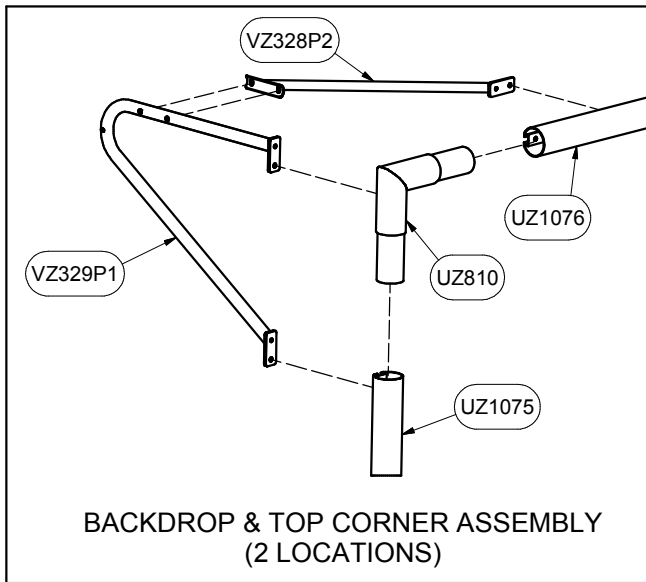
Part #:
2B3001

This item is the **exclusive**
property of **KWIK GOAL LTD.**
Reproduction or duplication
without the express written
consent of **KWIK GOAL LTD.**
is **strictly forbidden.**

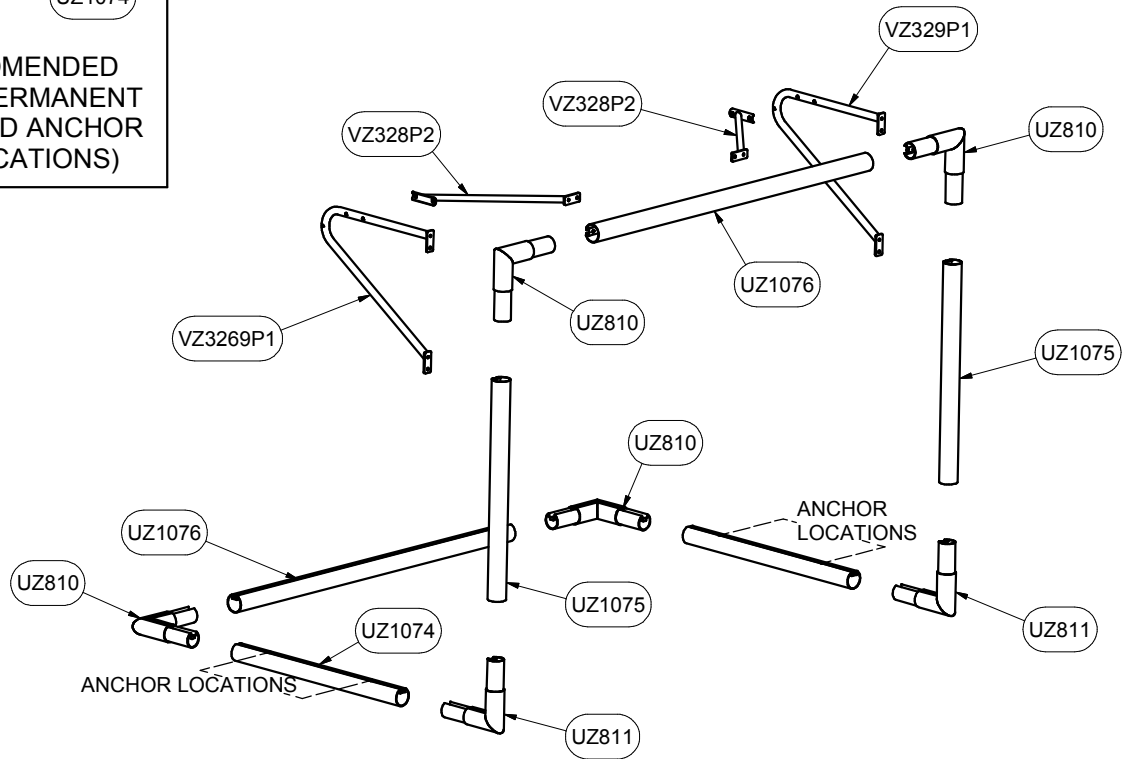
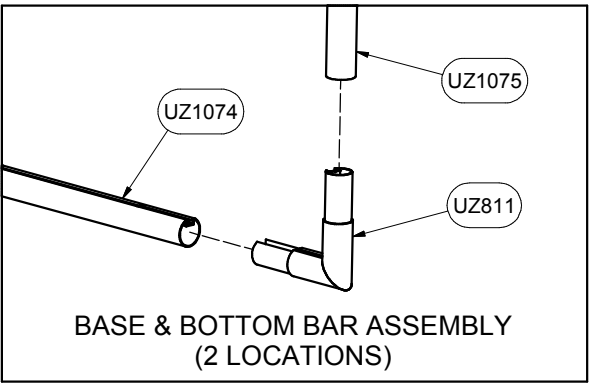
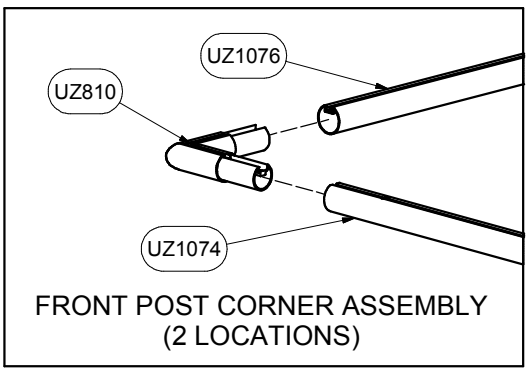
Drawn By: brush
Date: 3/5/2004
Sheet: 3 of 4
Revision #: 2
Cad File: 2B3001.idw

Desc:
4' X 6' European Club Goal

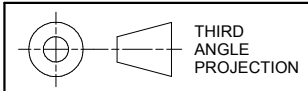
Finish Info. White Powder Coat



Parts List		
Part #	Qty	Description
UZ810	4	RAIL CORNER, EURO CLUB
UZ811	2	POST CORNER, EURO CLUB
UZ352	4	16" GROUND ANCHOR PEG
UZ1074	2	Base, 2B3001
UZ1076	2	Rail, 2B3001
UZ1075	1	Front Post, 2B3001
VZ329P1	3	BACKDROP
VZ328P2	3	BACKDROP BRACE
3B5301	1	Net, 3mm
3B6821	1	NET, 3MM ROPE, 3 1/2 in MESH



Finish Info. White Powder Coat



DIMENSIONS ARE IN INCHES
UNLESS OTHERWISE SPECIFIED

This item is the **exclusive** property of **KWIK GOAL LTD.** Reproduction or duplication **without** the express written consent of **KWIK GOAL LTD.** is **strictly forbidden.**



Approved By:
Date:
Drawn By: brush
Date: 3/5/2004
Sheet: 4 of 4
Revision #: 2
Cad File: 2B3001.idw

Part #:
2B3001
Desc:
4' X 6' European Club Goal