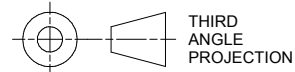


FEATURES:

- 1) ALUMINUM GOAL FRAME AND BACKDROPS
- 2) FINISH: WHITE POWDER COAT
- 3) INCLUDED:
 - SEMI PERMANENT GROUND ANCHORS
 - 3 mm, WHITE NET
 - KWIK LOCK® NET CLIPS
- 4) ASSEMBLED GOAL WEIGHT: 111 LBS.
- 5) EXCEEDS:
 - ASTM F2056-00 STANDARDS

Finish Info. White Powder Coat



DIMENSIONS ARE IN INCHES
UNLESS OTHERWISE SPECIFIED

This item is the **exclusive** property of **KWIK GOAL LTD.** Reproduction or duplication **without** the express written consent of **KWIK GOAL LTD.** is **strictly forbidden.**



Approved By:

Date:

Drawn By: brush

Date: 3/5/2004

Sheet: 1 of 4

Revision #: 2

Cad File: 2B3004.idw

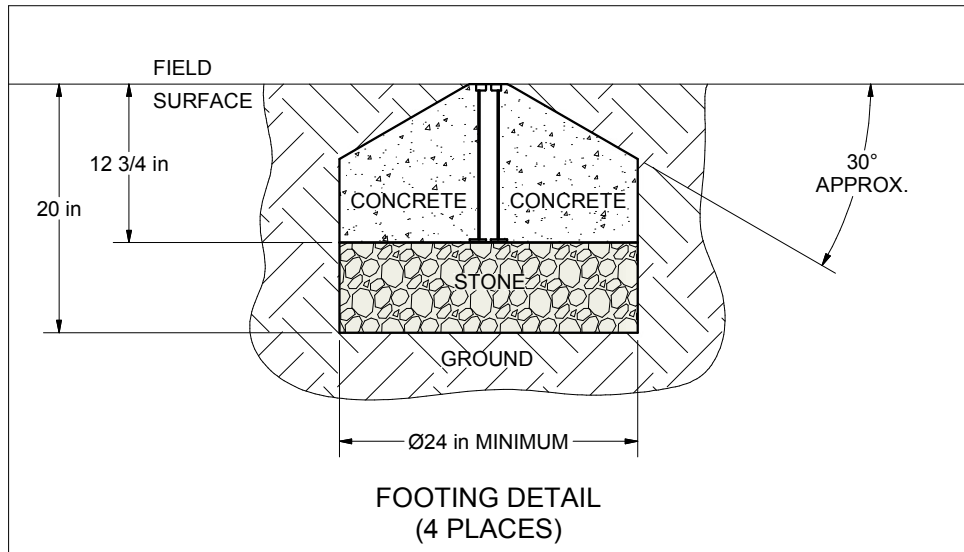
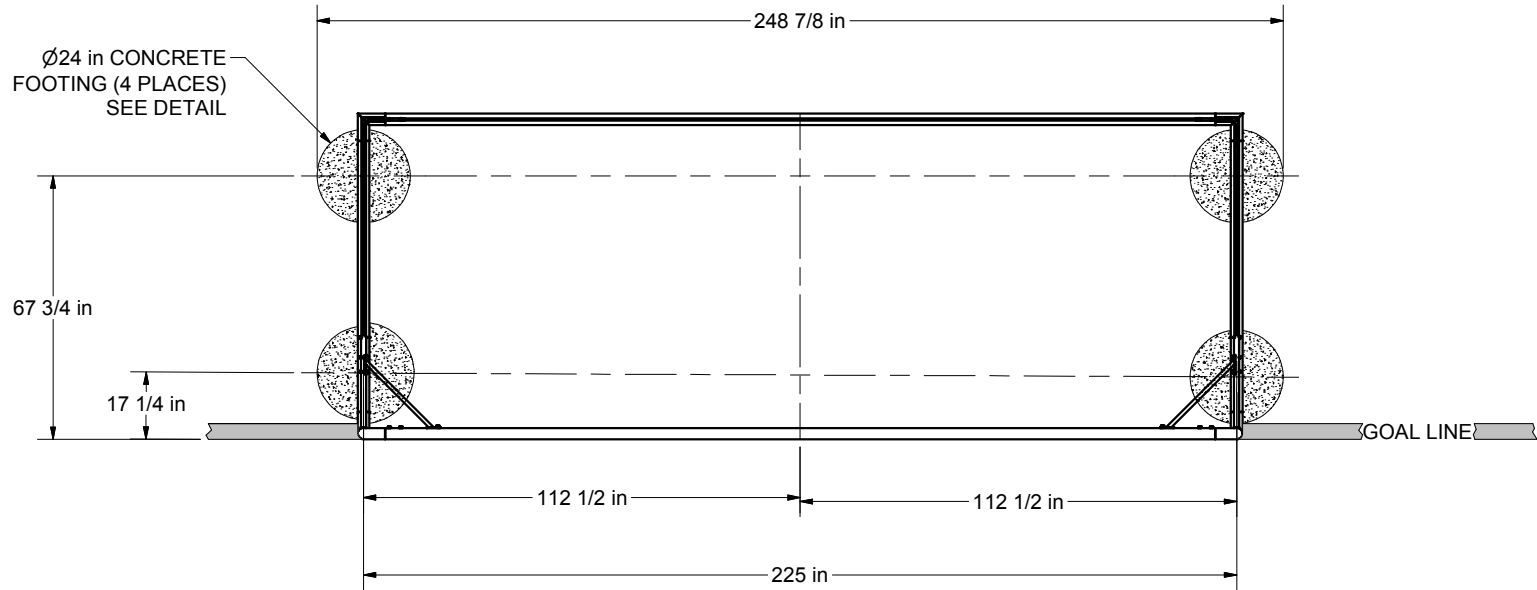
Part #:

2B3004

Desc:

6-1/2' X 18-1/2' European
Club Goal

OVERHEAD VIEW



NOTES:

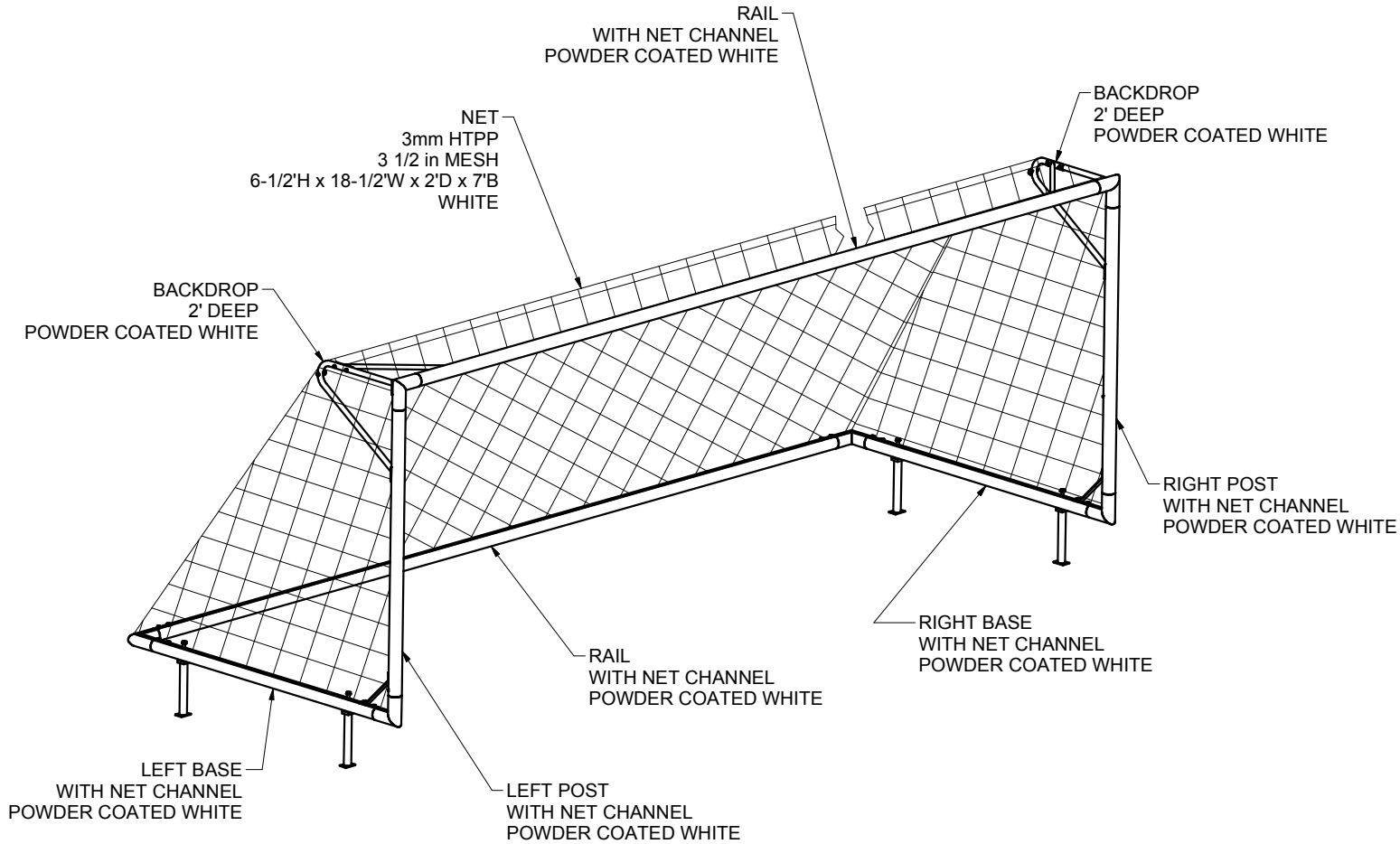
- 1) DIMENSIONS ARE FOR PLANNING PURPOSES. INSTALLATION MUST BE IN ACCORDANCE WITH INSTALLATION INSTRUCTIONS.

MATERIAL REQUIRED, BUT **NOT** SUPPLIED

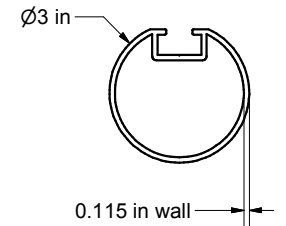
- 0.5 cubic yard - CONCRETE
 - 0.3 cubic yard - CLEAN STONE (1/4" - 3/4")
- ABOVE AMOUNTS ARE PER GOAL INSTALLATION

Finish Info. White Powder Coat

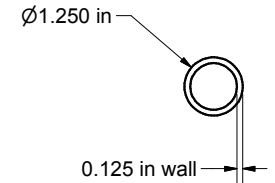
<p>THIRD ANGLE PROJECTION</p>	140 Pacific Drive Quakertown, Pa. 18951	
	DIMENSIONS ARE IN INCHES UNLESS OTHERWISE SPECIFIED	Approved By:
This item is the exclusive property of KWIK GOAL LTD. Reproduction or duplication without the express written consent of KWIK GOAL LTD. is strictly forbidden.	Date:	2B3004
	Drawn By: brush	Desc:
	Date: 3/5/2004	6-1/2' X 18-1/2' European Club Goal
	Sheet: 2 of 4	
	Revision #: 2	
	Cad File: 2B3004.idw	



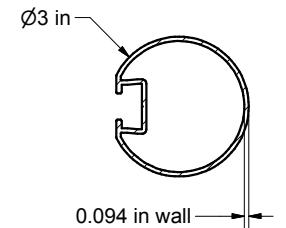
MATERIAL DETAILS



POSTS & BASES MATERIAL - ALUMINUM

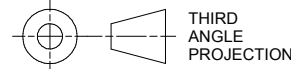


BACKDROP MATERIAL - ALUMINUM



RAILS MATERIAL - ALUMINUM

Finish Info. White Powder Coat



THIRD
ANGLE
PROJECTION



140 Pacific Drive
Quakertown,
Pa. 18951

DIMENSIONS ARE IN INCHES
UNLESS OTHERWISE SPECIFIED

Approved By:

Part #:

Date:

2B3004

This item is the **exclusive**
property of **KWIK GOAL LTD.**
Reproduction or duplication
without the express written
consent of **KWIK GOAL LTD.**
is **strictly forbidden.**

Drawn By: brush

Date: 3/5/2004

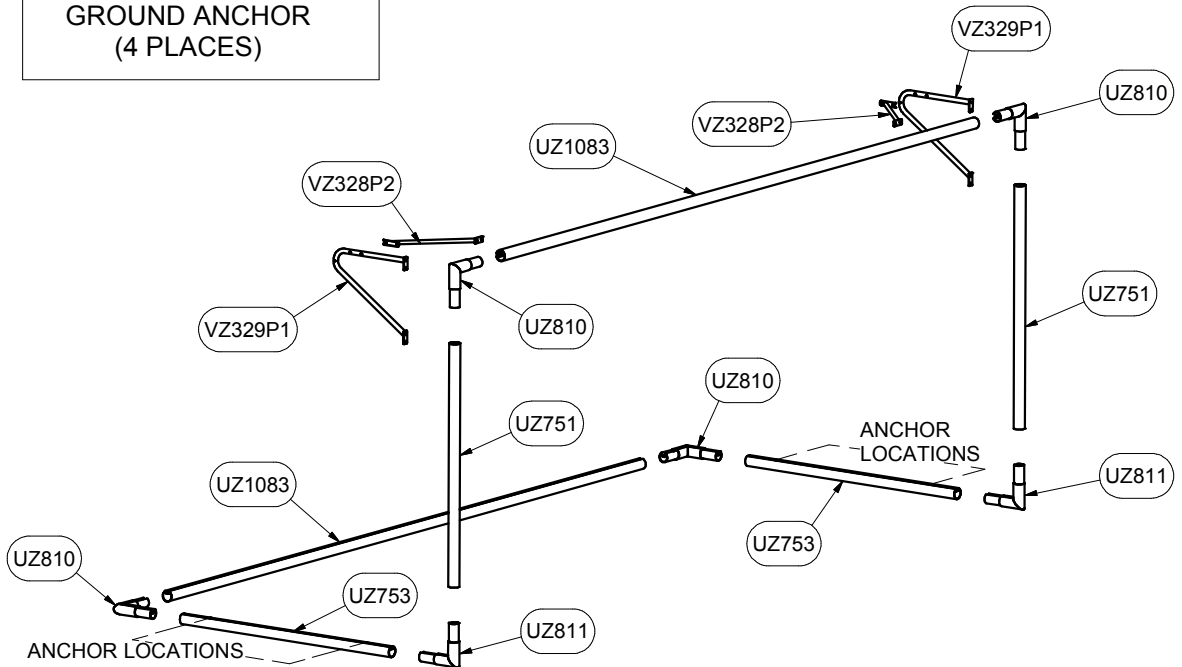
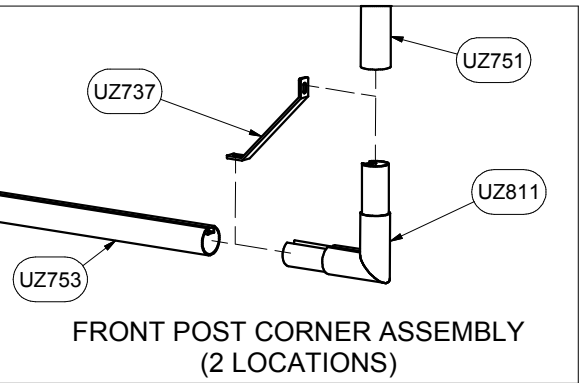
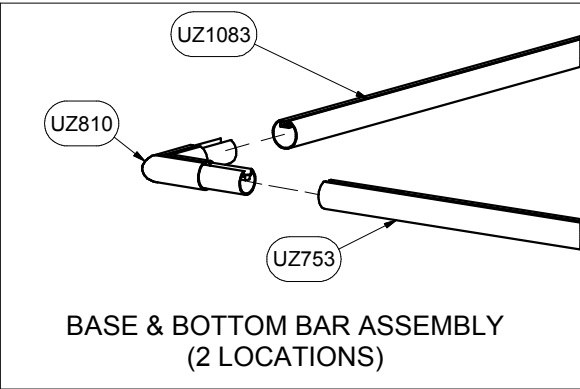
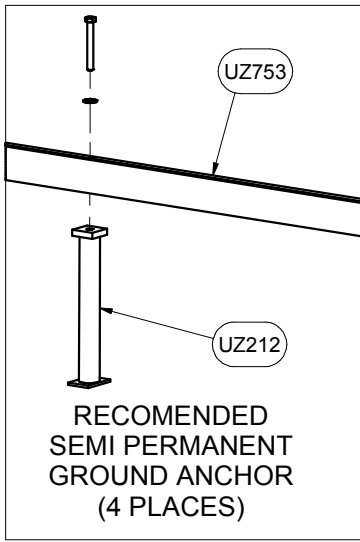
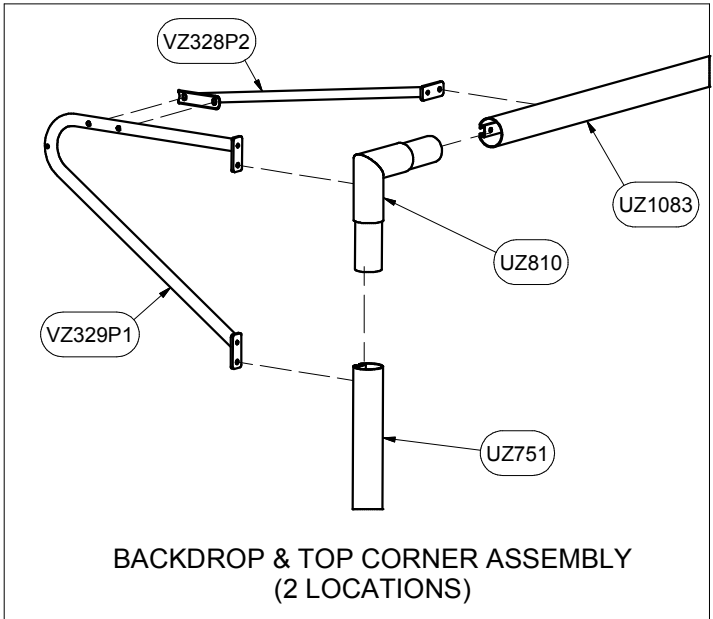
Sheet: 3 of 4

Revision #: 2

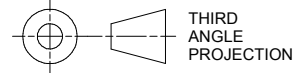
Cad File: 2B3004.idw

Desc:

6-1/2' X 18-1/2' European
Club Goal



Parts List		
Part #	Qty	Description
UZ737	2	Front Post Brace
UZ812	12	CHANNEL SPACER
UZ811	2	POST CORNER, EURO CLUB
UZ810	4	RAIL CORNER, EURO CLUB
UZ727	4	GROUND ANCHOR ASSEMBLY
UZ1083	2	Rail, 2B3004
UZ753	2	Base, 2B3004, 2B3003
VZ329P1	3	BACKSTAY
VZ328P2	3	BACKSTAY BRACE
3B6824	1	NET, 3MM ROPE, 3 1/2 in MESH
UZ751	2	Front Post, 2B3004, 2B3003



DIMENSIONS ARE IN INCHES
UNLESS OTHERWISE SPECIFIED

This item is the **exclusive**
property of **KWIK GOAL LTD.**
Reproduction or duplication
without the express written
consent of **KWIK GOAL LTD.**
is **strictly forbidden.**



Approved By:
Date:
Drawn By: brush
Date: 3/5/2004
Sheet: 4 of 4
Revision #: 2
Cad File: 2B3004.idw

Part #:
2B3004
Desc:
6-1/2' X 18-1/2' European
Club Goal

Finish Info. White Powder Coat