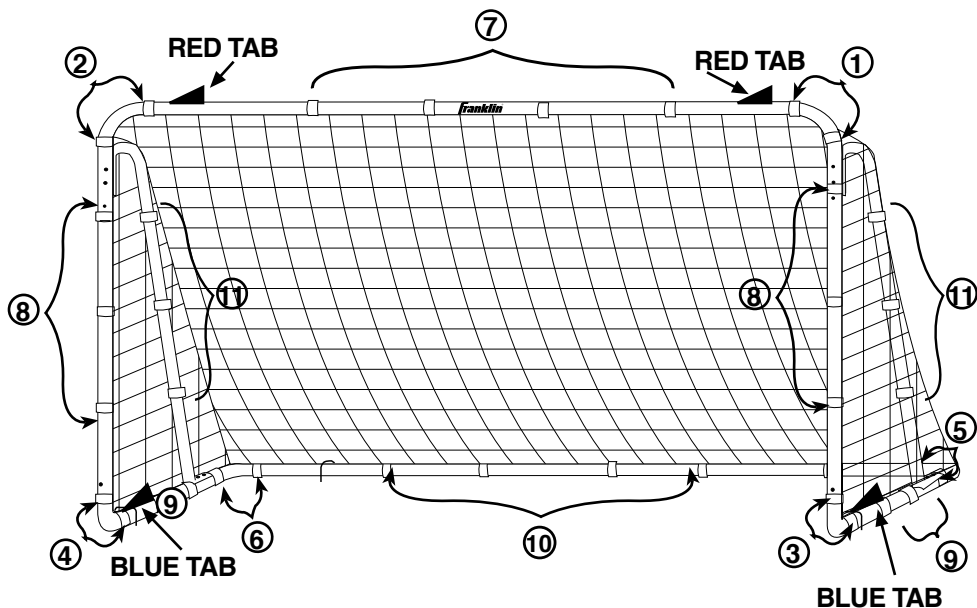


Figure #3 NET ASSEMBLY



# Franklin®

NO. 5680

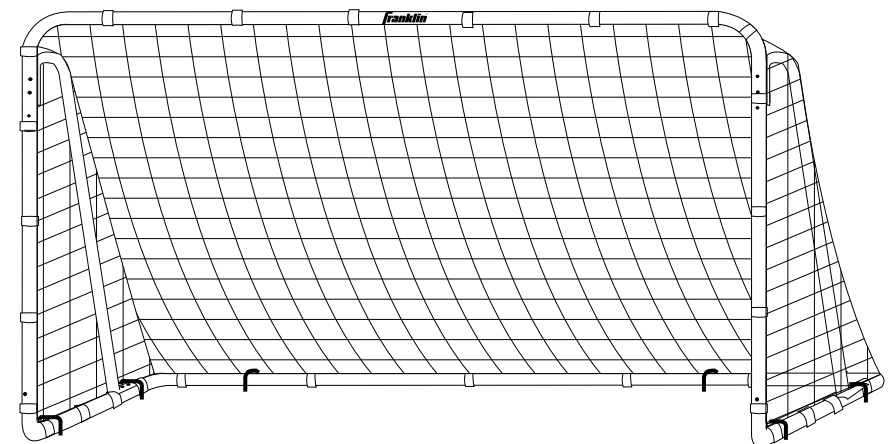
## SOCCER GOAL

SIZE: 12Ft.Wide x 6Ft.High x 5Ft.Deep

(3.66m x 1.83m x 1.52m)

### BEFORE ASSEMBLY:

- Work on a smooth, flat surface.
- Lay out all components so they are in easy reach.
- Read assembly instructions completely to familiarize yourself with the components.



### Step Net Assembly Instructions

1. The net has been designed with red tabs to identify the top corners and blue tabs to identify the bottom corners. Follow the numbered sequence to attach the net.
2. Using the self-stick closure strips, tie the top corners first which are identified by the two red tabs. Refer to ① & ②.
3. Using the self-stick closure strips, tie the front bottom corners which are identified by the two blue tabs. Refer to ③ & ④.
4. Stretch the net and using the self-stick closure strips, tie the back bottom corners. Refer to ⑤ & ⑥.
5. Fill in the top front section ⑦ with 4 self-stick strips,
6. Fill in each of the two side sections ⑧ with 4 self-stick strips,
7. Fill in each of the two base sections ⑨ with 3 self-stick strips,
8. Fill in the bottom back section ⑩ with 4 self-stick strips.
9. Fill in each of the two reinforcement sections ⑪ with 3 self-stick strips.

**NOTE:** Following goal assembly 6 ground stakes will secure goal.  
Refer to sketch for recommended locations

This goal is designed to provide many hours of enjoyment if properly assembled and used only for the purpose intended.

For Replacement Parts Call:  
1-781-341-5178 or 1-800-225-8649  
OR visit [www.franklinsports.com](http://www.franklinsports.com)

Franklin Sports Inc.  
Stoughton, MA. 02072  
Made in China  
[www.franklinsports.com](http://www.franklinsports.com)



Adult supervision is recommended when the goal is used by children.

Job Number: 102332-1 | File Name: 5680-IS1.ai | Product Division: Inflated | Product Line: Core | Original Artist: | Last Modified By: Mary Ellen Mazzoli | Date Created: 7.11.12 | Date Approved On:

Primary Pantone Color Palette  
4 color process  
Black

Secondary Pantone Color Palette  
4 color process

Logo Color Pantone Palette  
4 color process

Creative Manager Approval: \_\_\_\_\_

Product Manager Approval: \_\_\_\_\_

Traffic Manager Approval: \_\_\_\_\_

Legal Approval: \_\_\_\_\_