



Assembly Instructions & User's Manual

Fleur De Lis Bench

FSMVPT2032



Please keep this instruction manual for future reference

Customer Service: (888) 922-2336, 7:00am to 12:00am CST (daily)

Live Chat at: www.academy.com

Email: customerservice@academy.com

Made in China

Table Of Contents

- Warnings2
- Tools and Parts.....2-3
- Assembly Instructions.....4
- Care and Maintenance.....5
- Warranty Information.....5

Note: Before beginning assembly of product, make sure all parts are present. Compare parts with package content list and hardware contents above. If any part is missing or damaged do not attempt to assemble the unit. Contact customer service for replacement parts.

Warnings

This bench requires adult assembly. Keep screws and parts away from children.

Please read this manual before assembly or use.

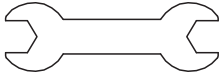

Do not tighten nuts or screws until assembly is complete.

SKU#: 020866067





Style#: FSMVPT2032

Weight limit: 500 LB






Tools Required (Included)

	Description	Picture
J	Wrench	
K	Allen wrench	

Parts List

	Description	Picture	Qty
A	Right leg		1
B	Left leg		1
C	Bench seat		1
D	Bench Back		1

Hardware

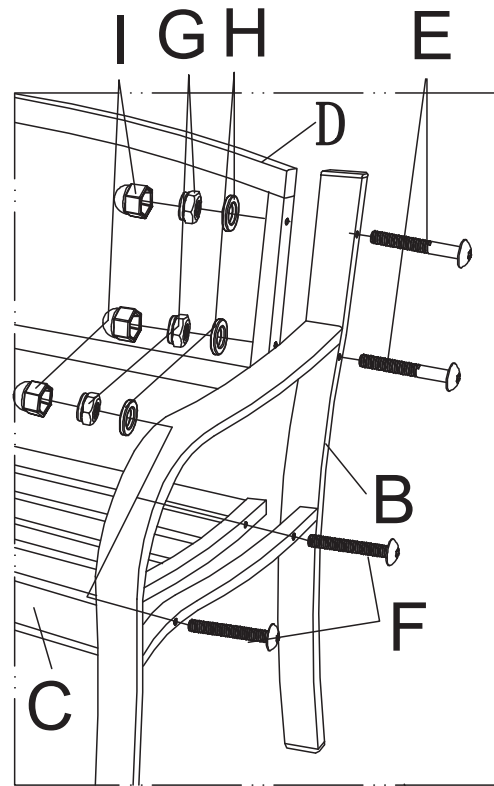
	Description	Picture	Qty
E	70mm bolts		4
F	50mm bolts		4
G	Hexagonal nuts		8
H	Washers		8
I	End caps		8

Assembly Instructions

Step 1:

Attach the bench back (D) to the left leg (B) using two 70mm bolts (E), two washers (H) and two hexagonal nuts (G). Repeat this step to attach the bench back to the right leg (A).

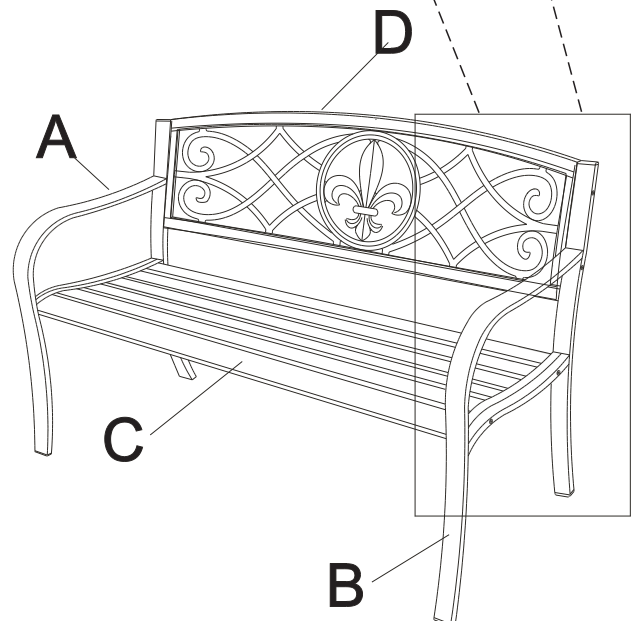
Hand tighten only.



Step 2:

Attach the bench seat (C) to the left leg (B) using two 50mm bolts (F), two washers (H) and two hexagonal nuts (G). Repeat this step to attach the bench seat to the right leg (A).

Hand tighten only.



Step 3:

Tighten all hexagonal nuts and bolts using the included wrench (J) and Allen wrench (K).

Cover all nuts by end caps (I).

The bench is now ready to use.

Care and Maintenance

The bench should be cleaned on a regular basis to promote safe use and prolong product life.

Wipe the frame with a smooth damp cloth and air dry.

Do not use abrasive cleaners as they may damage or scratch the surface paint.

Do not leave this product in harsh weather conditions for extended periods.

For extended life, the bench should be stored indoors or covered during prolonged periods of non-use.

Storing in a dry location will help prevent rust.

Warranty Information

The appliance has been manufactured under the highest standards of quality and workmanship. We warrant to the original consumer purchaser that all aspects of this product will be free of defects in material and workmanship for one year from the date of purchase. A replacement for any defective part will be supplied free of charge for installation by the consumer. Defects or damage caused by the use of other than genuine parts are not covered by this warranty. This warranty shall be effective from the date of purchase as shown in the purchaser receipt.

This warranty is valid for the original consumer purchaser only and excludes industrial, commercial or business use of the product, product damage due to shipment or failure which results from alteration, product abuse, or product misuse, whether performed by a contractor, service company, or consumer. We will not be responsible for labor charges and/or damage incurred in installation, repair or replacement nor for incidental or consequential damage.