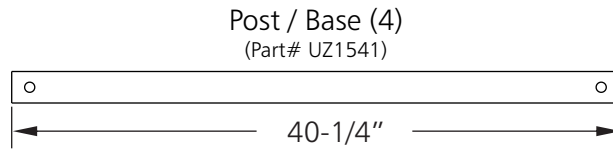
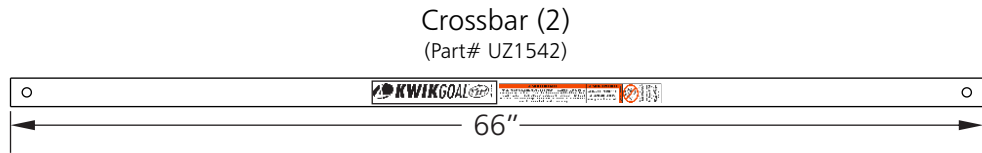




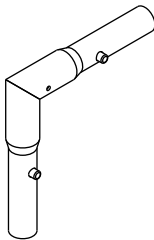
ASSEMBLY INSTRUCTIONS FOR 2B4001 GOAL

1. Unpack all parts and check for damage that may have occurred during shipping. If damage has occurred, notify trucking company immediately. Lay out all parts. Remove all cardboard and packaging immediately. Wet or damp packaging may damage contents.
2. Read through entire instruction before beginning assembly and installation.

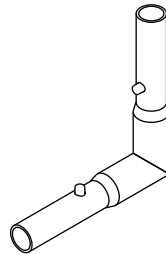
NOTE: Components may be packaged in one or more additional boxes.



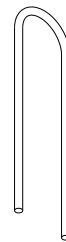
Crossbar Corner (4)
(Part# UZ1540)



Post Corner (2)
(Part# UZ1539)



Ground Anchor (4)
(Part# 10B1201 Pack of 4)



*****CAUTION*****

This goal has been designed to be used for the game of soccer only. Goal posts must be anchored AT ALL TIMES and shall be secured against overturning. Do not climb on the net or goal framework at any time! All fastenings must be checked to insure they are fully tightened before and after each use of this product. Goal posts not in use must be disassembled and properly stored in a safe, secure area (See included Guidelines for Moveable Soccer Goal Safety.). Assembled goal posts should not be left unattended. Remove nets when goals are not in use. Do not use this equipment during the threat of high winds. Goal posts should be checked for safety before and after each use.

All warning and safety labels included with this product must be visible at all times.

Any modifications to this or any Kwik Goal product will void any and all warranties.

140 Pacific Drive Quakertown, PA 18951
(P) 215-536-2200 / (P) 800-531-4252 / (F) 215-536-4309 / (F) 800-778-8869

Visit our website @ kwikgoal.com

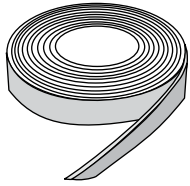
© 2016, Rev 2017 Kwik Goal Ltd.



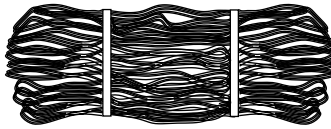
IMPORTANT GOAL SAFETY INSTRUCTIONS READ CAREFULLY

1. Check for structural integrity and proper connecting hardware before every use. Replace damaged or missing parts or fasteners immediately.
2. Safety/Warning labels must be clearly visible.
3. Securely anchor moveable soccer goals at ALL times.
4. Always instruct players, managers, coaches, trainers, teachers, maintenance workers and all other personnel who might come in contact with the goal, on the safe handling of and potential dangers associated with moveable soccer goals.
5. Always exercise extreme caution when moving goals and provide adequate manpower to move goals of varied sizes and weights. Moveable soccer goals should only be moved by authorized personnel.
6. NEVER allow anyone to climb on the net or goal framework.
7. Moveable soccer goals should only be used on LEVEL fields, NEVER on a slope or hill area.
8. Remove nets when goals are not in use.
9. Most of the tip-over injuries occurred when goals were unattended. Anchor or chain one goal to another or to nearby fence posts, dugouts, or any other similar sturdy fixture when not in use. If this is not practical, store moveable soccer goals in a place where children cannot have access to them.
10. Fully disassemble goals for seasonal storage.

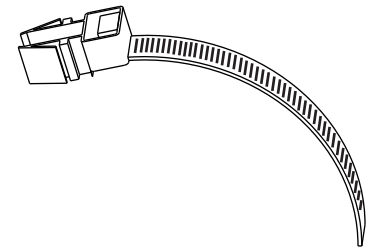
Net Fastener (1)
(Part# MNF-1 Roll of 12')



Net (1)
(Part# 3B7221)

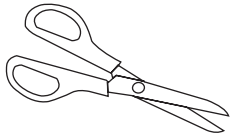


Plastic Cable Tie (8)
(Part# JZ220 Pack of 8)

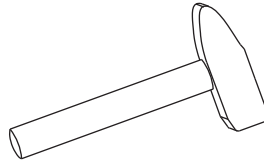


Assembly Tools

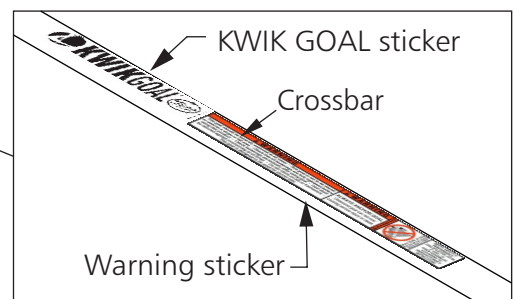
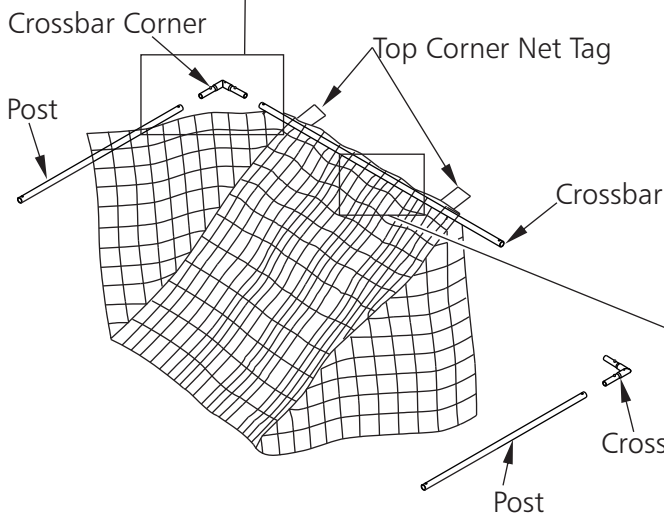
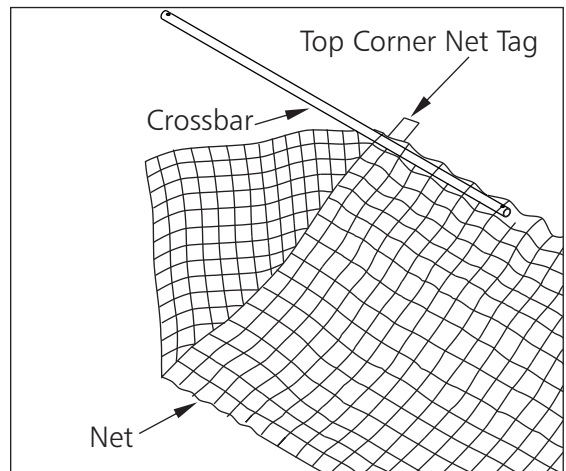
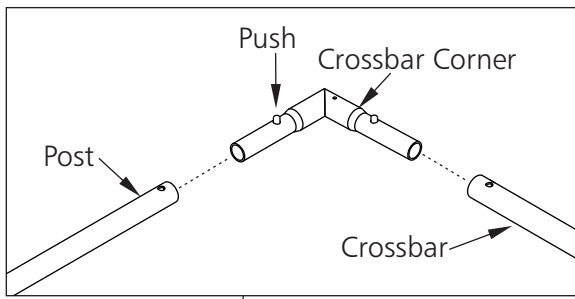
Scissors



Mallet



3. Lay out crossbar and posts, take note of the direction of stickers on crossbar. Weave net on to crossbar using top corner tags as a guide. Connect crossbar and crossbar corners.

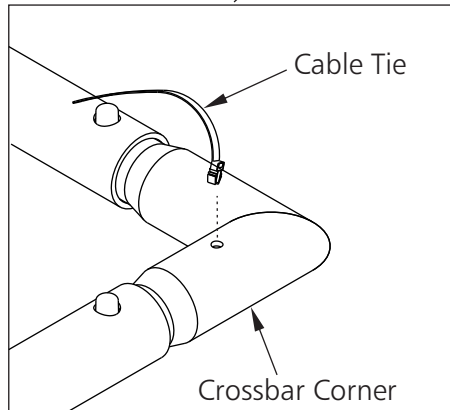
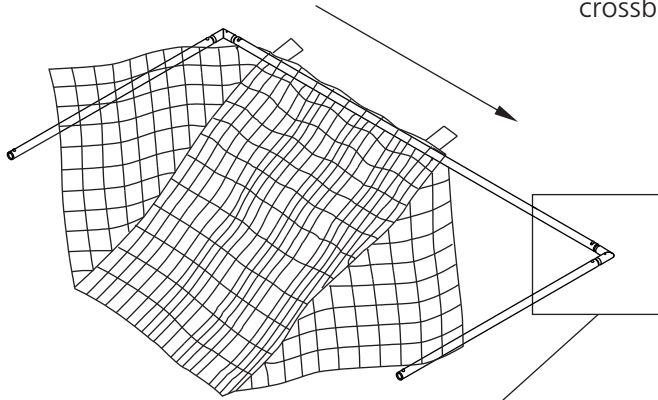


*****CAUTION*****

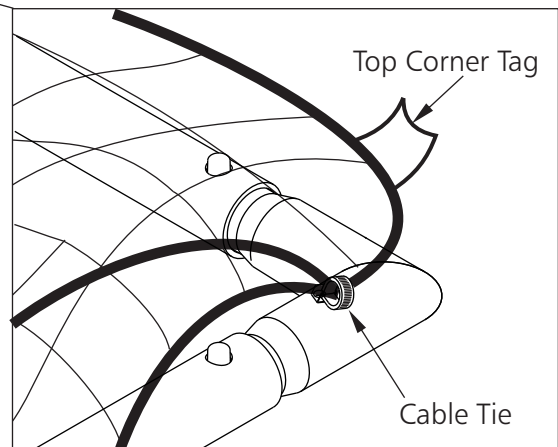
This goal has been designed to be used for the game of soccer only. Goal posts must be anchored AT ALL TIMES and shall be secured against overturning. Do not climb on the net or goal framework at any time! All fastenings must be checked to insure they are fully tightened before and after each use of this product. Goal posts not in use must be disassembled and properly stored in a safe, secure area (See included Guidelines for Moveable Soccer Goal Safety.). Assembled goal posts should not be left unattended. Remove nets when goals are not in use. Do not use this equipment during the threat of high winds. Goal posts should be checked for safety before and after each use.

All warning and safety labels included with this product must be visible at all times.
Any modifications to this or any Kwik Goal product will void any and all warranties.

4. Spread net along assembled crossbar. To secure net to the corners, insert plastic cable ties into each crossbar corner.



5. Secure corners of net with cable ties, using top corner tags as a guide.

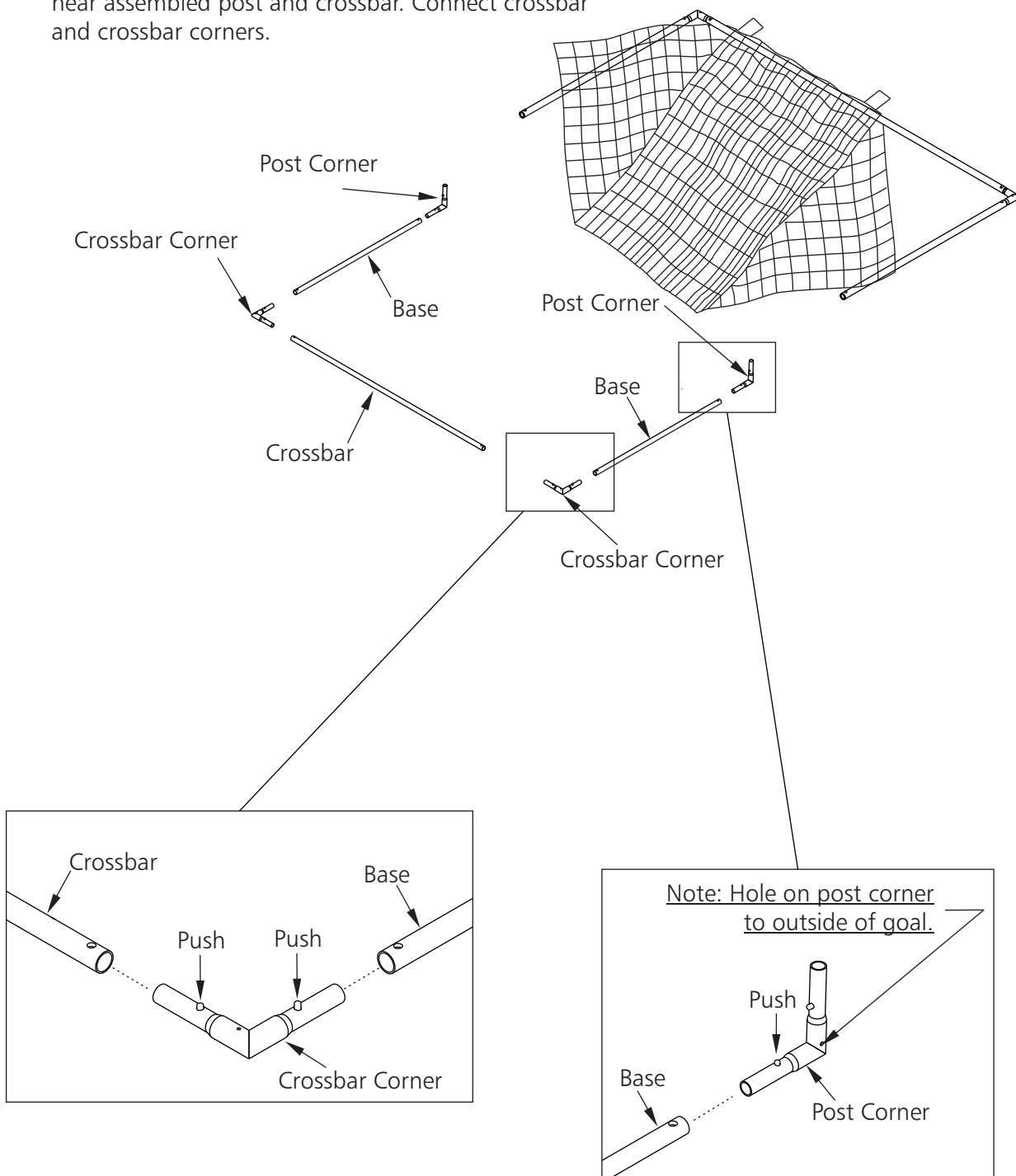


*****CAUTION*****

This goal has been designed to be used for the game of soccer only. Goal posts must be anchored AT ALL TIMES and shall be secured against overturning. Do not climb on the net or goal framework at any time! All fastenings must be checked to insure they are fully tightened before and after each use of this product. Goal posts not in use must be disassembled and properly stored in a safe, secure area (See included Guidelines for Moveable Soccer Goal Safety.) Assembled goal posts should not be left unattended. Remove nets when goals are not in use. Do not use this equipment during the threat of high winds. Goal posts should be checked for safety before and after each use.

All warning and safety labels included with this product must be visible at all times.
Any modifications to this or any Kwik Goal product will void any and all warranties.

- Lay out base frame crossbar and bases at location near assembled post and crossbar. Connect crossbar and crossbar corners.

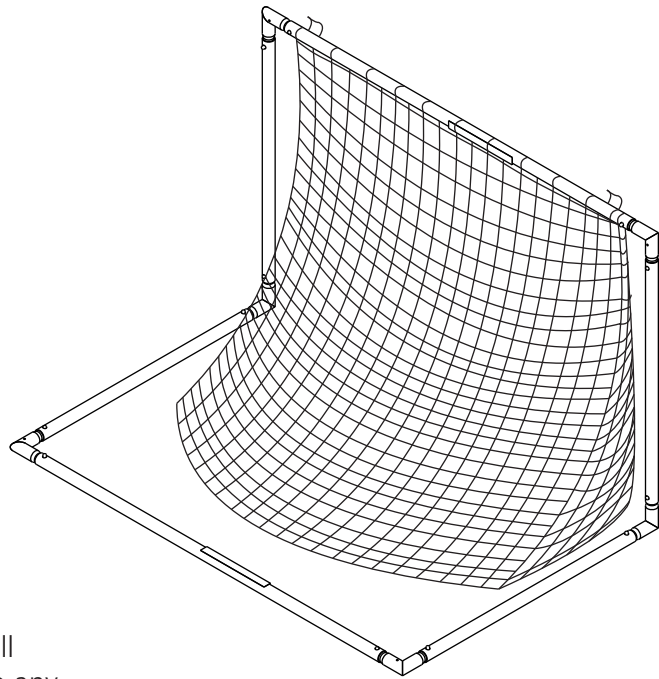
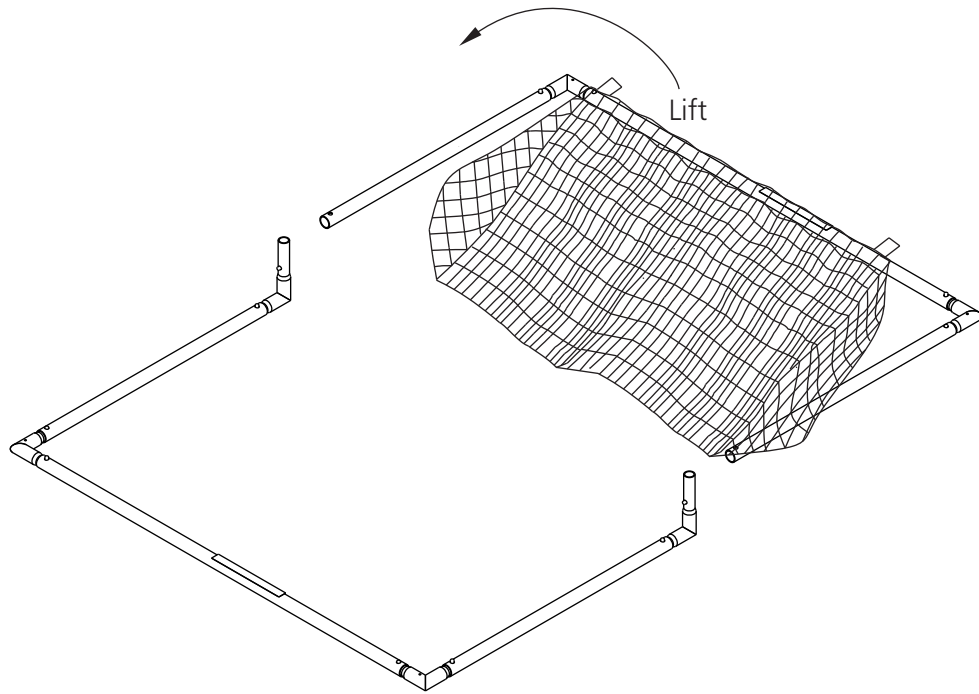


- Attach post corners to bases as shown.

*****CAUTION*****

This goal has been designed to be used for the game of soccer only. Goal posts must be anchored AT ALL TIMES and shall be secured against overturning. Do not climb on the net or goal framework at any time! All fastenings must be checked to insure they are fully tightened before and after each use of this product. Goal posts not in use must be disassembled and properly stored in a safe, secure area (See included Guidelines for Moveable Soccer Goal Safety.). Assembled goal posts should not be left unattended. Remove nets when goals are not in use. Do not use this equipment during the threat of high winds. Goal posts should be checked for safety before and after each use. All warning and safety labels included with this product must be visible at all times. Any modifications to this or any Kwik Goal product will void any and all warranties.

8. Lift post and crossbar assembly upright and connect to post corner.



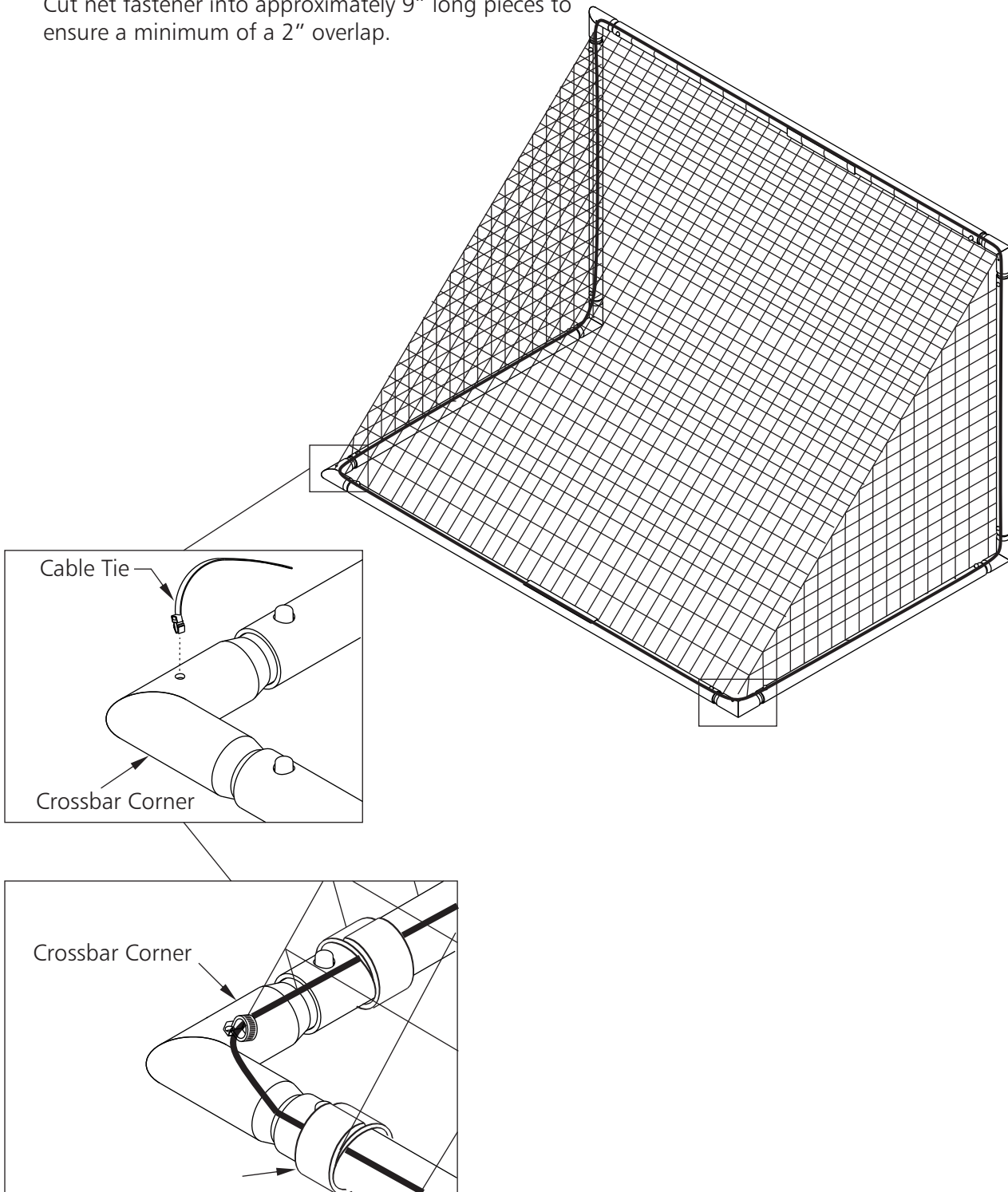
9. Connect post to post corner. Make sure net is still hanging only from crossbar and not attached to any other part of goal frame.

*****CAUTION*****

This goal has been designed to be used for the game of soccer only. Goal posts must be anchored AT ALL TIMES and shall be secured against overturning. Do not climb on the net or goal framework at any time! All fastenings must be checked to insure they are fully tightened before and after each use of this product. Goal posts not in use must be disassembled and properly stored in a safe, secure area (See included Guidelines for Moveable Soccer Goal Safety.). Assembled goal posts should not be left unattended. Remove nets when goals are not in use. Do not use this equipment during the threat of high winds. Goal posts should be checked for safety before and after each use.

All warning and safety labels included with this product must be visible at all times.
Any modifications to this or any Kwik Goal product will void any and all warranties.

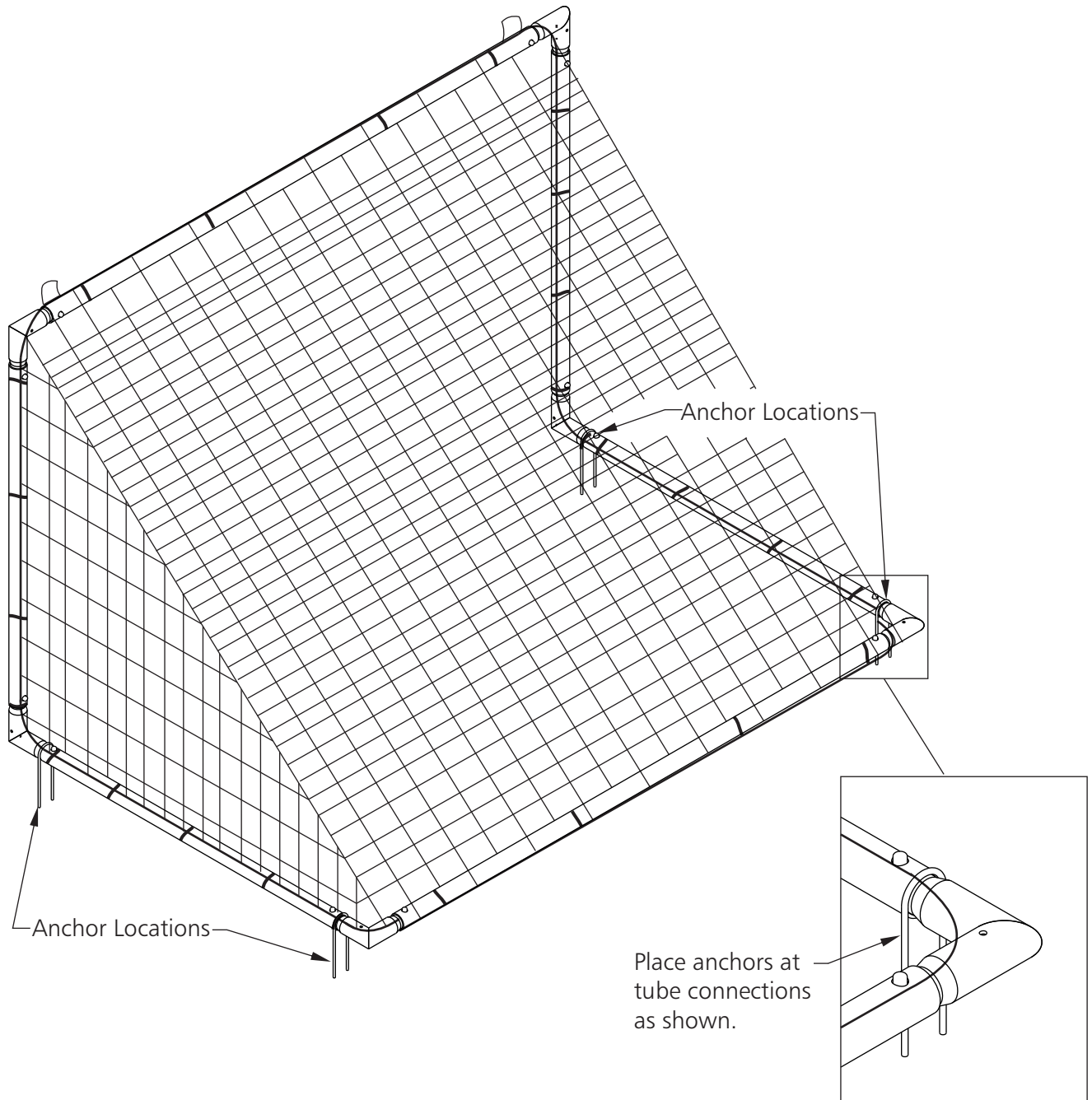
10. Secure all corners of net to assembled goal frame with cable ties. Attach the rest of the net to assembled goal frame using net fastener provided. Cut net fastener into approximately 9" long pieces to ensure a minimum of a 2" overlap.



*****CAUTION*****

This goal has been designed to be used for the game of soccer only. Goal posts must be anchored AT ALL TIMES and shall be secured against overturning. Do not climb on the net or goal framework at any time! All fastenings must be checked to insure they are fully tightened before and after each use of this product. Goal posts not in use must be disassembled and properly stored in a safe, secure area (See included Guidelines for Moveable Soccer Goal Safety.). Assembled goal posts should not be left unattended. Remove nets when goals are not in use. Do not use this equipment during the threat of high winds. Goal posts should be checked for safety before and after each use. All warning and safety labels included with this product must be visible at all times. Any modifications to this or any Kwik Goal product will void any and all warranties.

11. Attach ground anchors at recommended locations.



Go to kwikgoal.com for additional product information.

*****CAUTION*****

This goal has been designed to be used for the game of soccer only. Goal posts must be anchored AT ALL TIMES and shall be secured against overturning. Do not climb on the net or goal framework at any time! All fastenings must be checked to insure they are fully tightened before and after each use of this product. Goal posts not in use must be disassembled and properly stored in a safe, secure area (See included Guidelines for Moveable Soccer Goal Safety.). Assembled goal posts should not be left unattended. Remove nets when goals are not in use. Do not use this equipment during the threat of high winds. Goal posts should be checked for safety before and after each use.

All warning and safety labels included with this product must be visible at all times.
Any modifications to this or any Kwik Goal product will void any and all warranties.