

STEP 4: COMPLETION OF GOAL ASSEMBLY

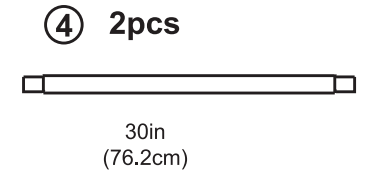
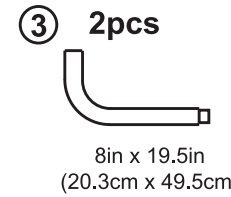
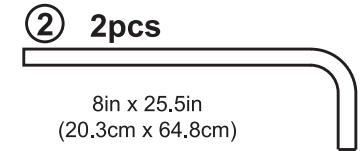
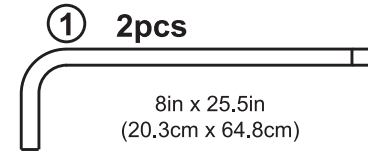
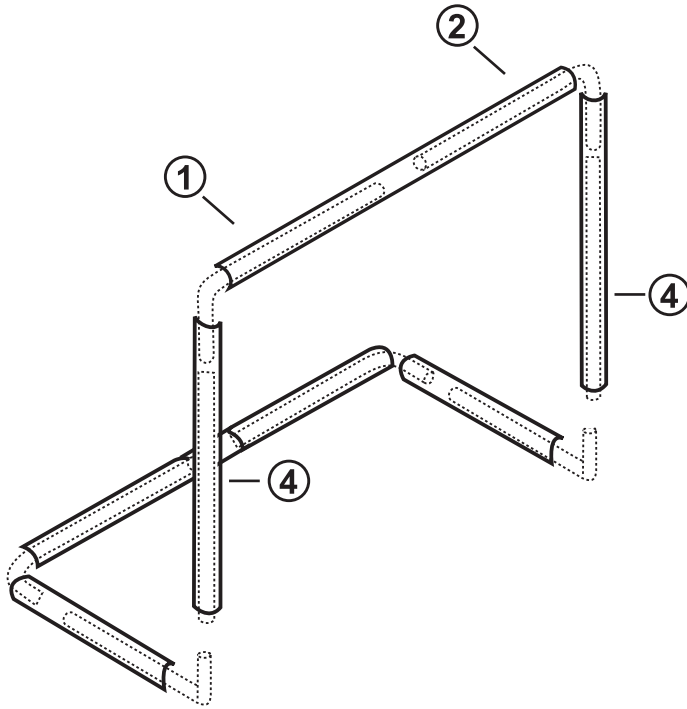
A. Make sure all tubing connections are securely locked into place.

Franklin[®]

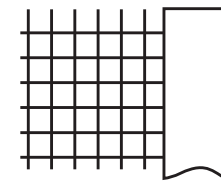
50in (127cm) ALL PURPOSE STEEL GOAL

ITEM # 19362

ASSEMBLY INSTRUCTIONS



⑤ **1pc SLEEVE NET**



Franklin[®]

Franklin Sports Inc.
Stoughton, MA 02072
Made in China

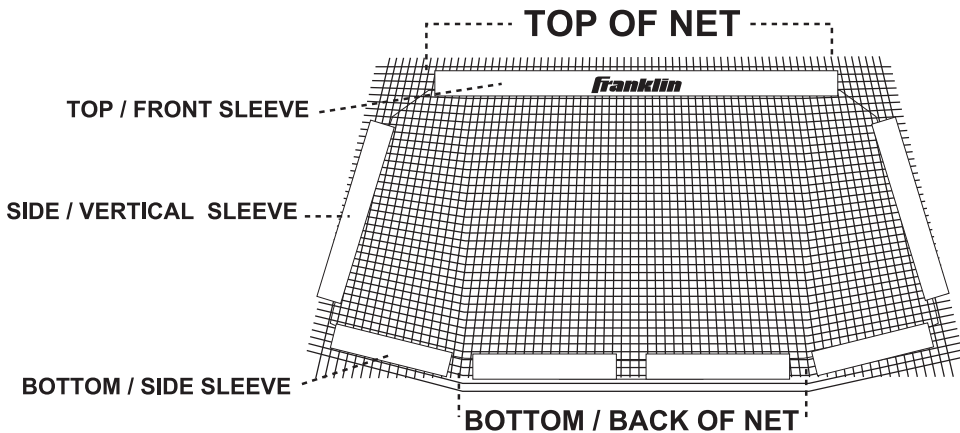
For replacements parts call
1-781-341-5178 or 1-800-225-8649
OR visit www.franklinsports.com

STEP 1: PREPARATION FOR ASSEMBLY

- A. Lay out all parts within easy reach.
- B. Read instructions completely before beginning assembly.
- C. Assemble goal on a smooth, flat surface.
- D. Adult supervision for assembly and use of goal is recommended.

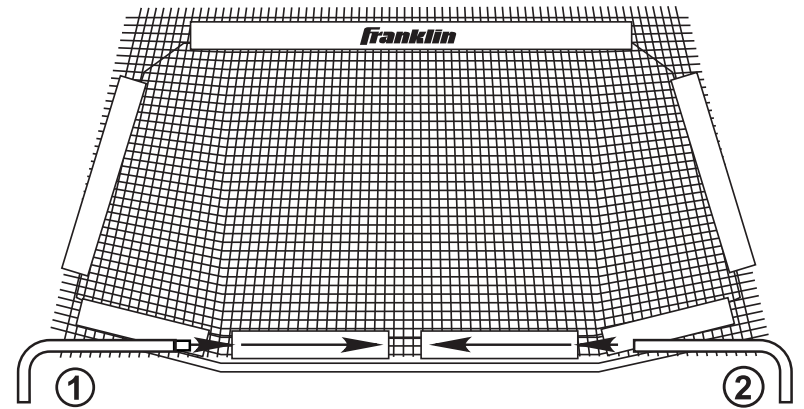
STEP 2: FAMILIARIZE YOURSELF WITH THE SLEEVE-NET

- A. Lay out the net and find the white nylon sleeve section with the Franklin logo. This is the top / front of the net.
- B. The goal tubing will be slid into each sleeve of the net.

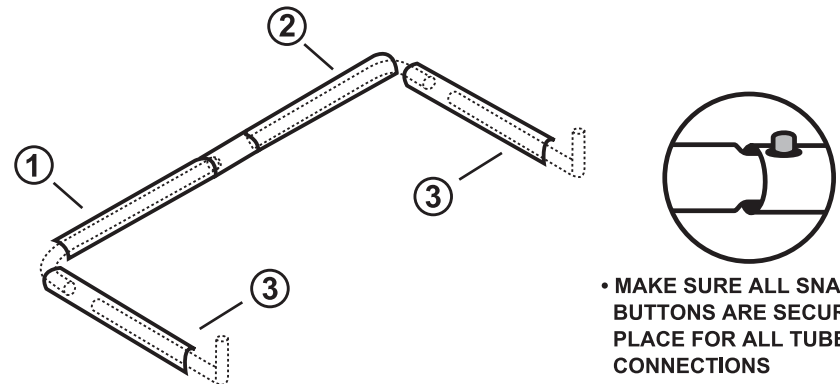


STEP 3: ASSEMBLING THE GOAL

- A. Start at the back / bottom of the net and insert the tubing through the nylon sleeve sections as shown below.
- B. When connecting tube pieces 1 and 2, be sure to align snap-lock buttons so that they pop securely into place.
- C. Continue connecting all tubing pieces as shown in the following diagrams.



ASSEMBLING THE GOAL



• MAKE SURE ALL SNAP-LOCK BUTTONS ARE SECURELY IN PLACE FOR ALL TUBE CONNECTIONS