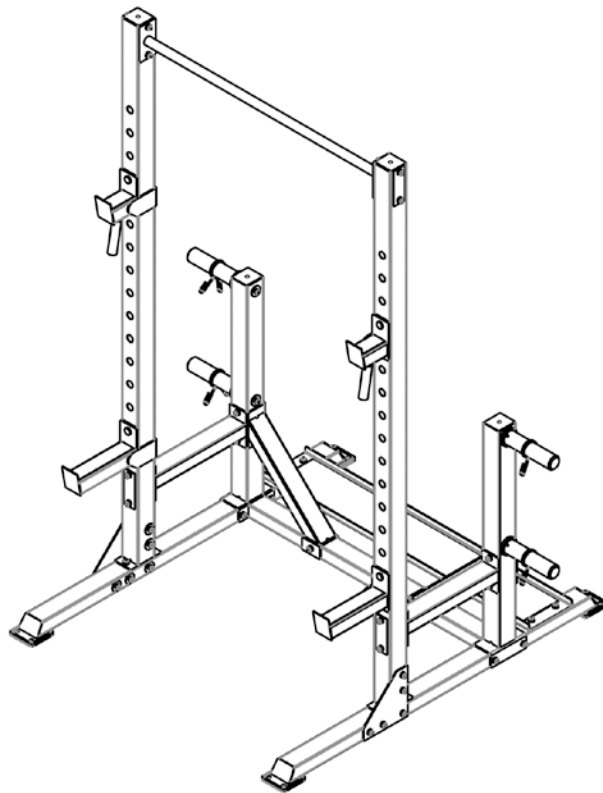


STEELBODY

UTILITY TRAINER

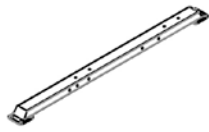
STB-98010



IMPORTANT: Please read the Important Safety Notice and Assembly Information in the Owner's manual before assembling this product.

Assembly Manual

150825



① × 2



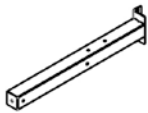
② × 2



③ × 1



④ × 2



⑤ × 2



⑥ × 4



⑦ × 1



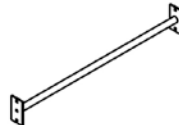
⑧ × 1



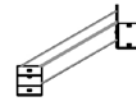
⑨ × 1



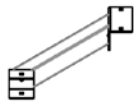
⑩ × 1



⑪ × 1



⑫ × 1



⑬ × 1



⑭ × 1



⑮ × 6



⑯ × 2



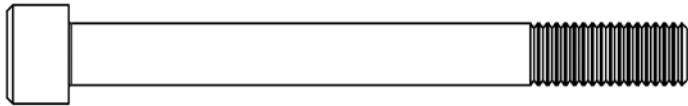
⑳ × 4



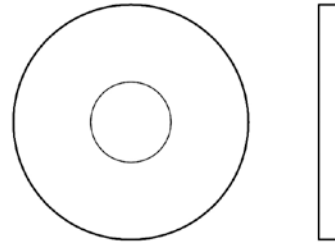
㉓ × 4



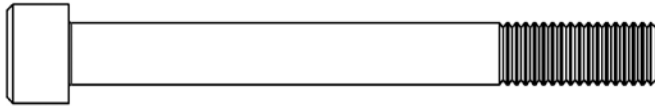
㉔ × 2



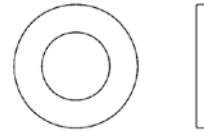
27 × 18



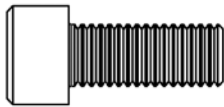
30 × 14



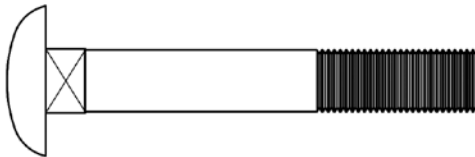
26 × 10



31 × 54



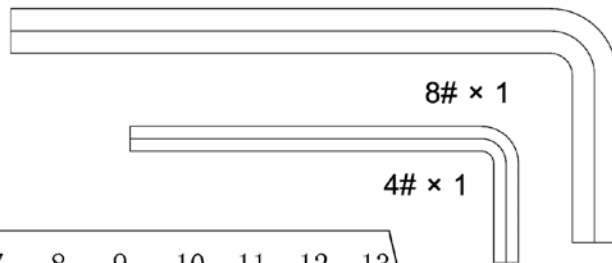
25 × 4



28 × 8

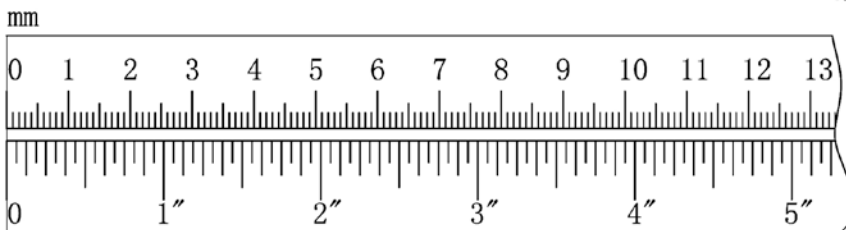


29 × 36



8# × 1

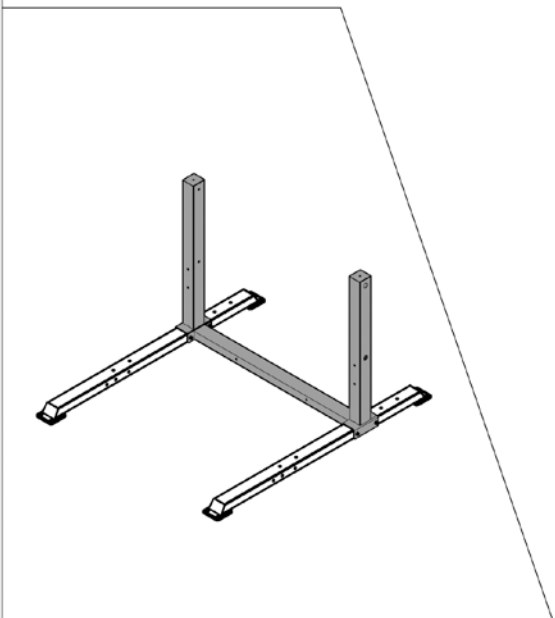
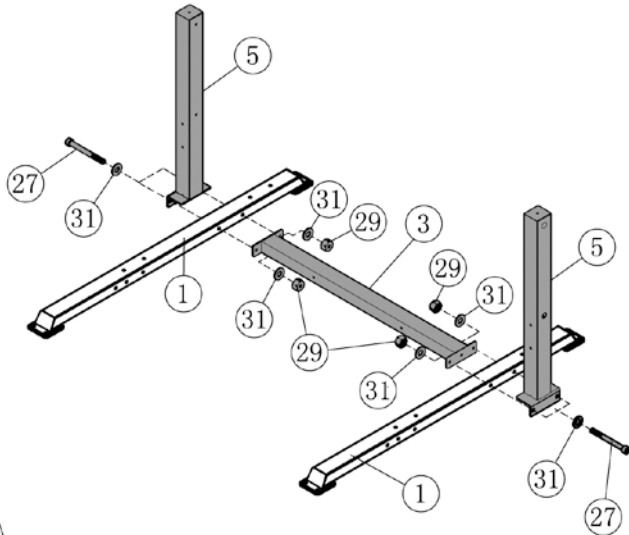
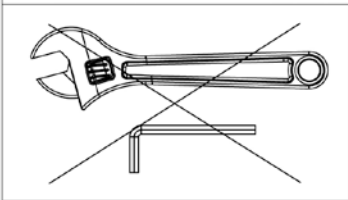
4# × 1



②⑦  × 4 M10×4"

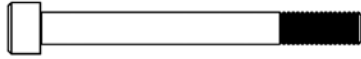
③①  × 8 $\Phi\frac{3}{4}$ "

②⑨  × 4 M10



1

27



x 6 M10x4"

31

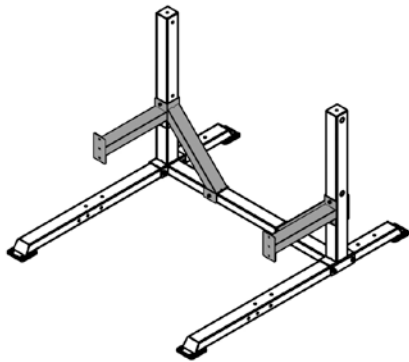
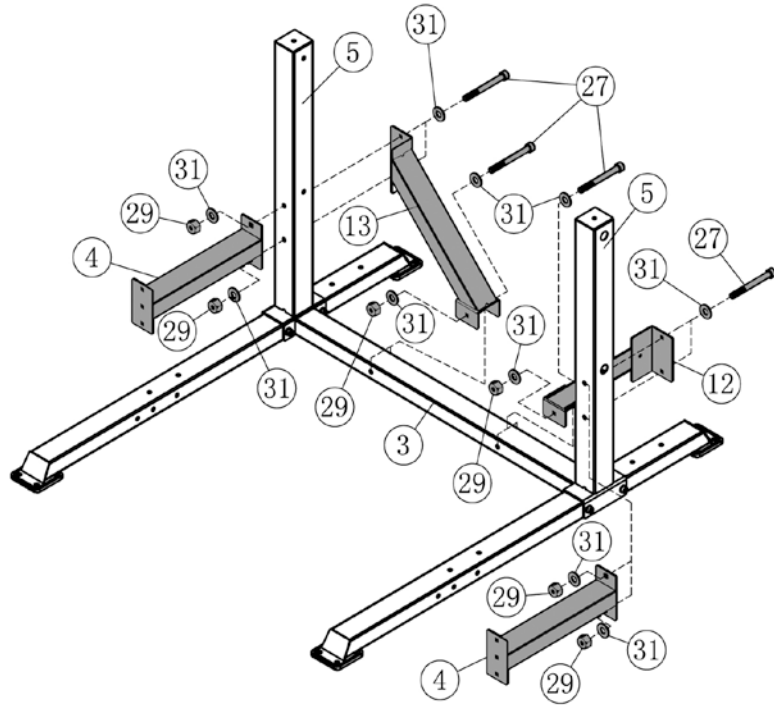
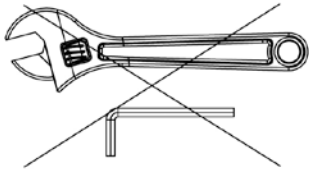


x 12 $\Phi\frac{3}{4}$ "

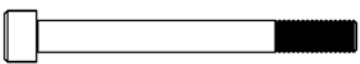


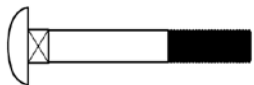


29

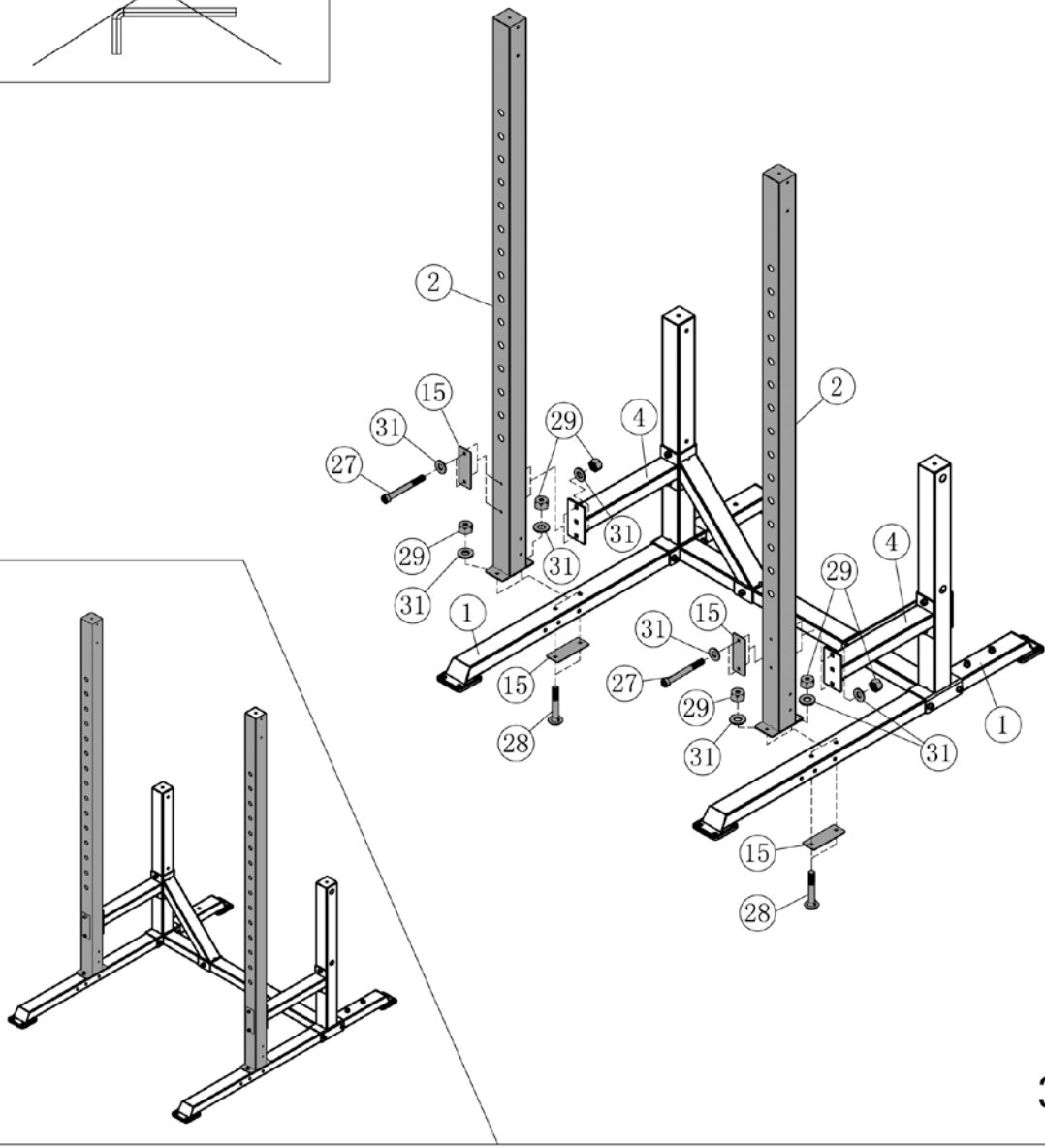
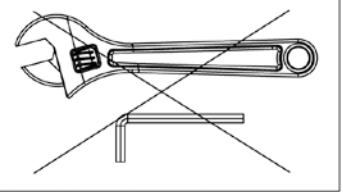


x 6 M10

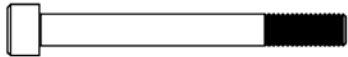



2

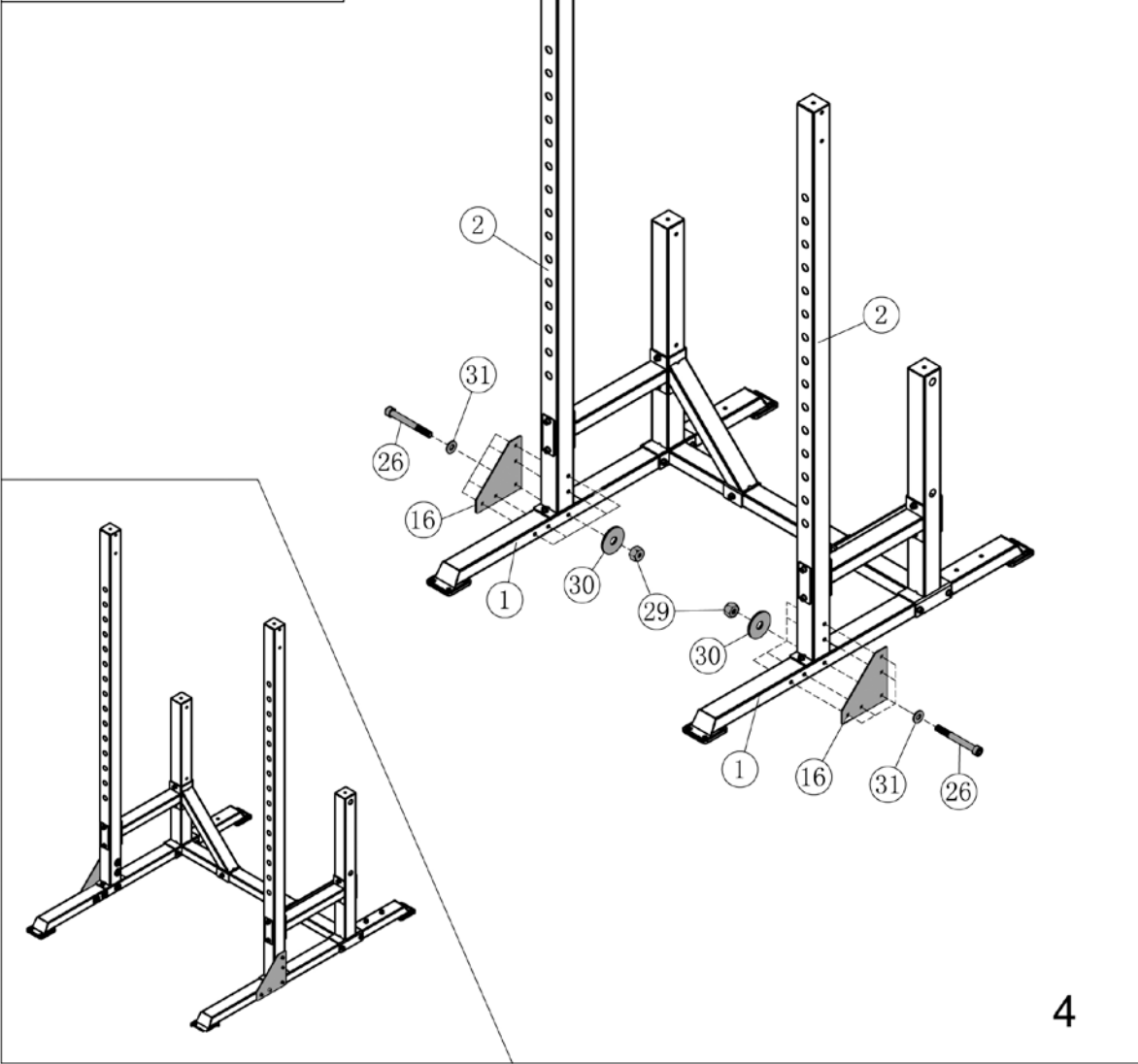
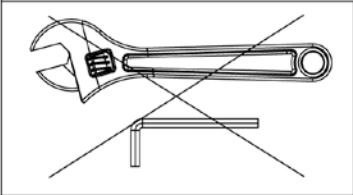
- 27

× 4
M10×4"
31  |  × 12
 $\Phi\frac{3}{4}$ "
- 28

× 4
M10×2 $\frac{3}{4}$ "
29   × 8
M10



3

②⑥  × 10 M10×3³/₄" ③①  × 10 Φ³/₄"

③①  ×10 Φ1¹/₂" ②⑨  ×10 M10

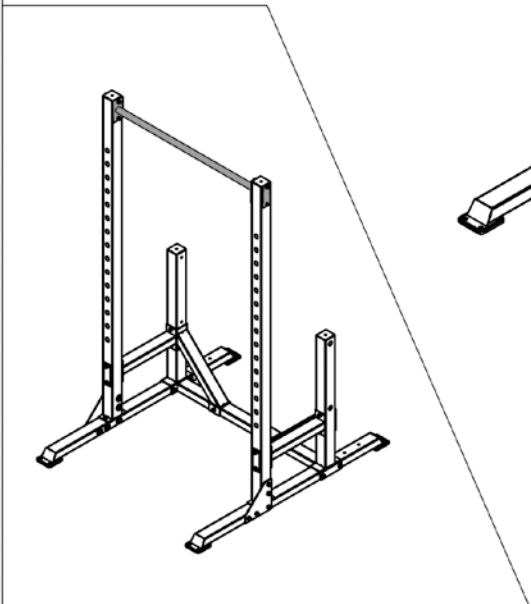
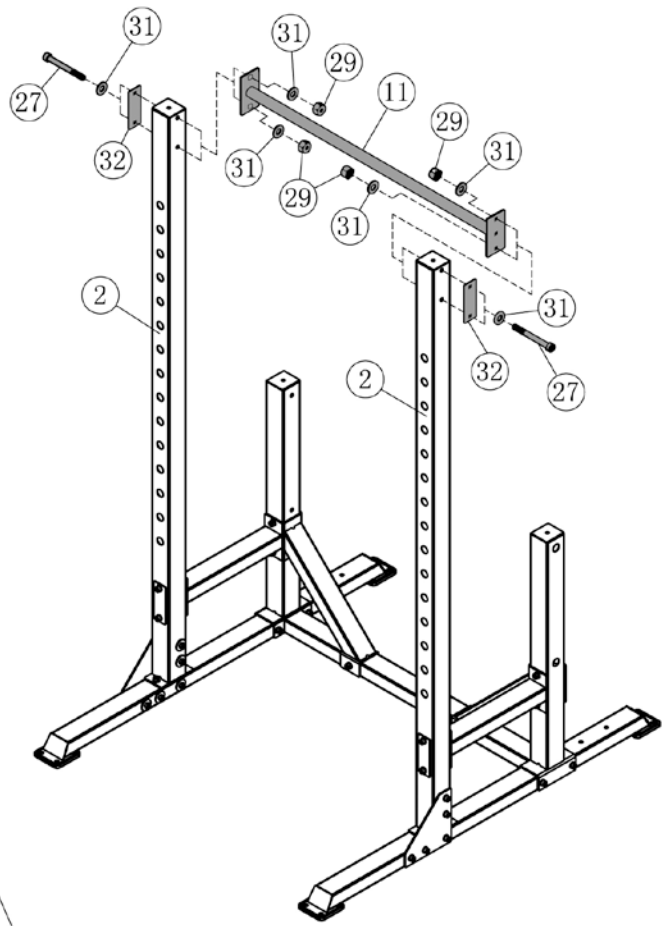
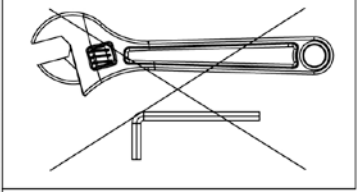


4

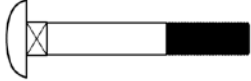


②⑦  × 4 M10×4"

③①  × 8 $\Phi\frac{3}{4}$ "

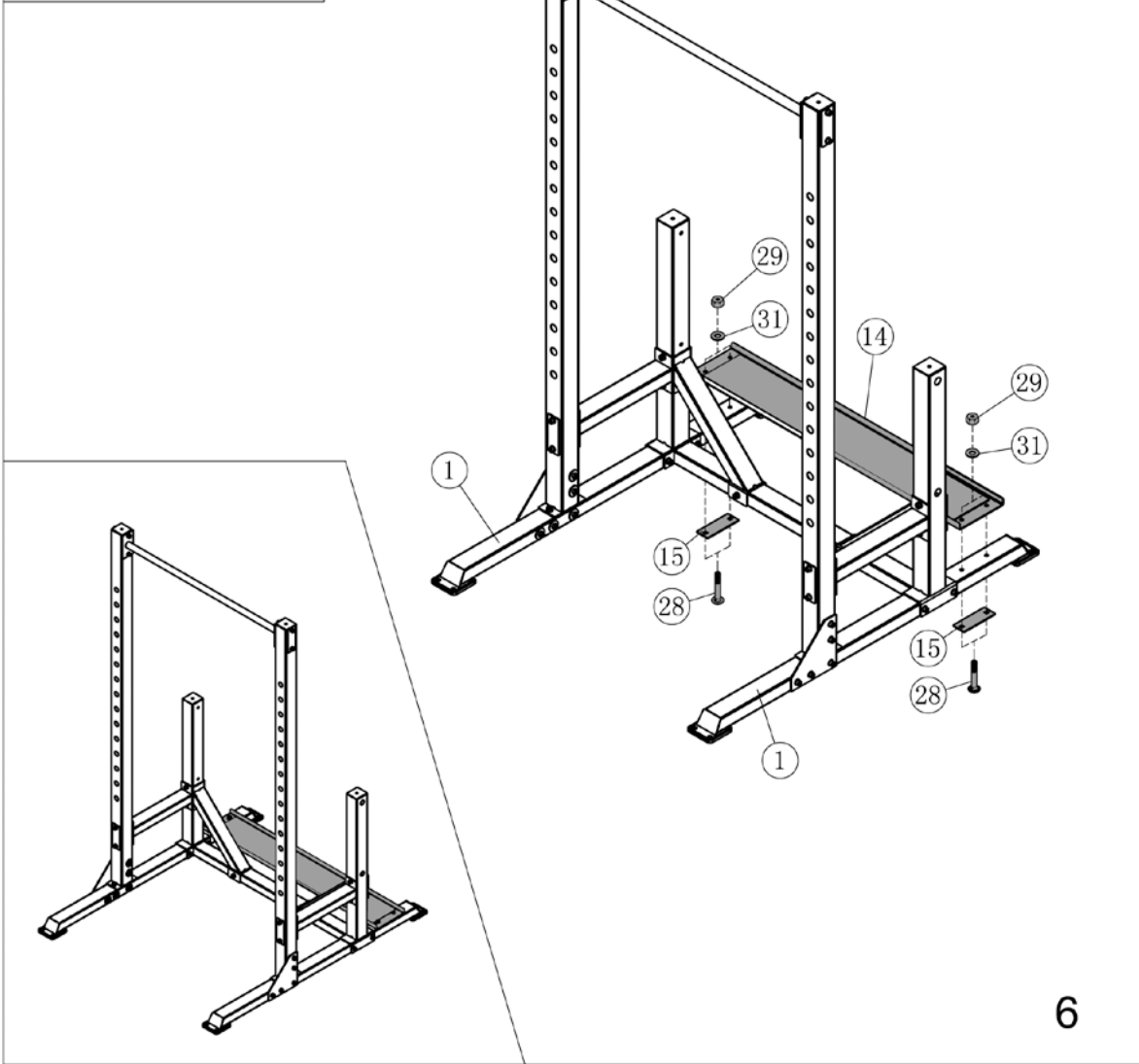
②⑨  × 4 M10



5

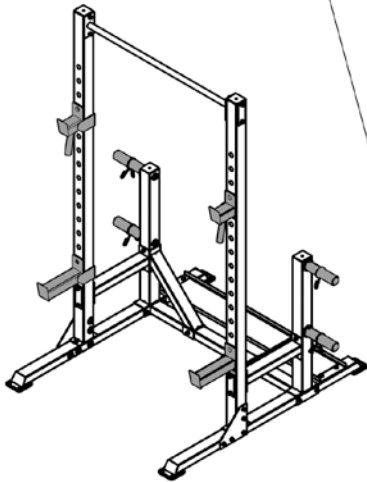
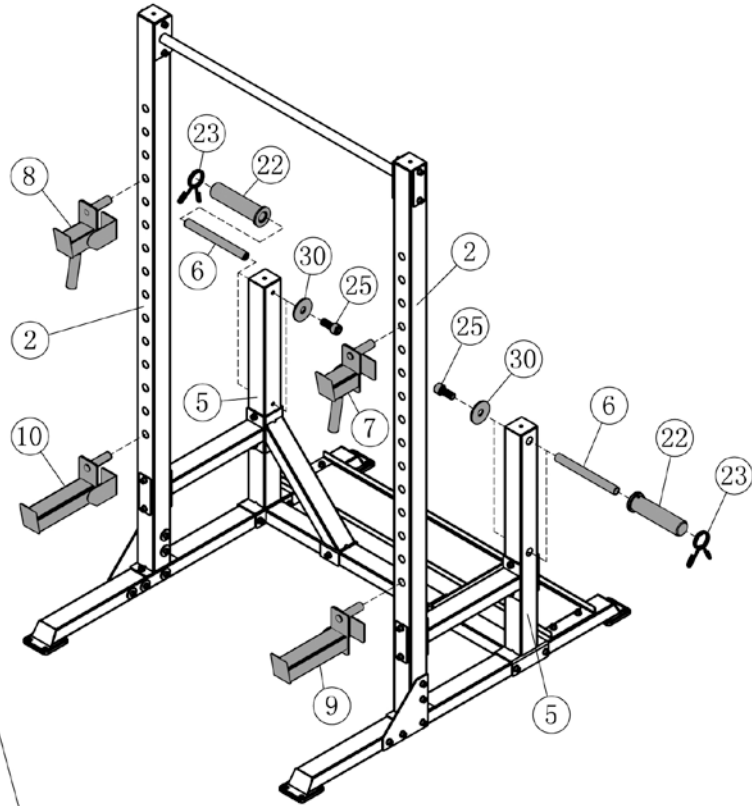
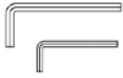
②⑧  × 4 M10×2³/₄" ③①  |  × 4 Φ³/₄"

②⑨   × 4 M10

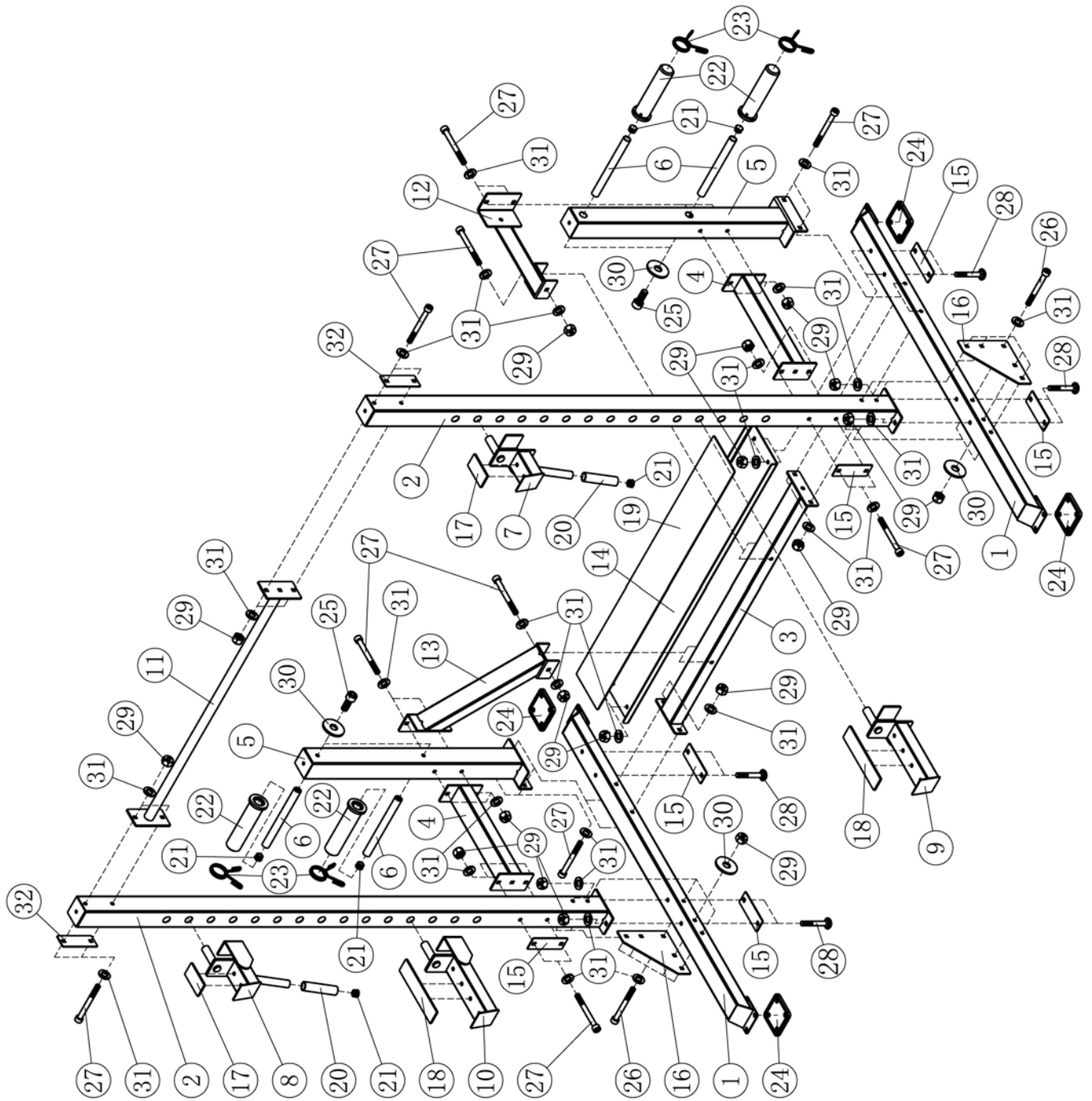


②⑤  × 4 M10×1"

③①  × 4 $\Phi 1\frac{1}{2}$ "



7



IMPEX® INC.

2801 S. Towne Ave, Pomona, CA 91766

Tel: (800) 999-8899 Fax: (626) 961-9966

www.impex-fitness.com

support@impex-fitness.com