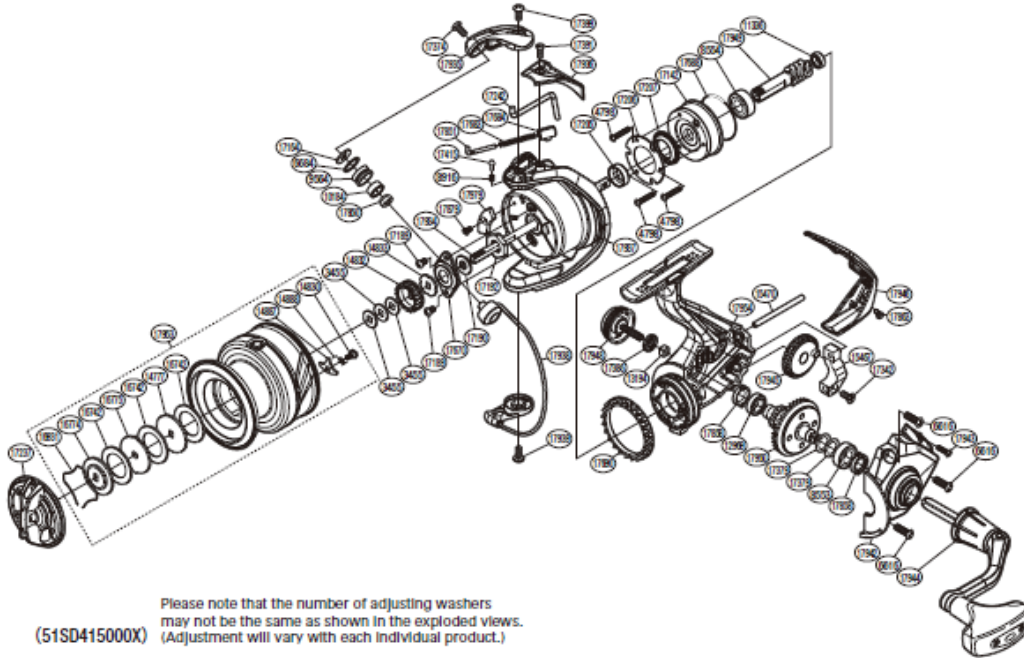


SHIMANO

NASCI

NAS-C5000XGFB



Please note that the number of adjusting washers may not be the same as shown in the exploded views. (Adjustment will vary with each individual product.)

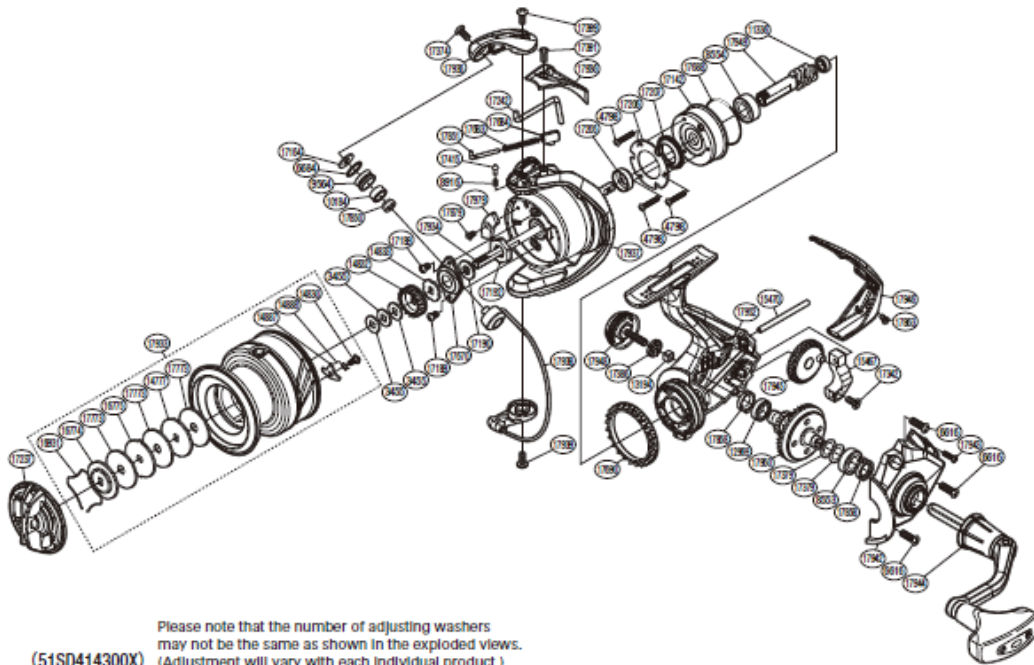
Part No.	Description	Part No.	Description	Part No.	Description
RD 3455	Spool Washer	RD16931	Drag Washers Retainer	RD17850	Line Roller Collar
RD 4798	Screw	RD17142	Roller Clutch Assembly	RD17851	Ball Spring Guide
RD 6616	Screw	RD17164	Line Roller Washer	RD17858	Bearing Water Proof
RD 6684	Line Roller Spacer	RD17189	Screw	RD17863	Screw
RD 8553	Ball Bearing	RD17190	Bearing Water Proof	RD17879	Screw
RD 8554	Ball Bearing	RD17192	Rotor Nut	RD17934	Main Shaft
RD 8916	Click Spring	RD17205	Rotor Ring	RD17935	Ball Arm
RD 9564	Line Roller	RD17206	Roller Clutch Reinforce	RD17936	Ball Spring Cover
RD10184	Line Roller Bushing	RD17207	Roller Clutch Water Proof	RD17937	Rotor
RD11336	Ball Bearing	RD17237	Drag Knob	RD17938	Ball Assembly
RD12969	Ball Bearing	RD17242	Ball Trip Lever	RD17939	Screw
RD13194	Handle Screw Lock	RD17342	Screw	RD17942	Side Cover
RD14777	Key Washer	RD17374	Screw	RD17943	Screw
RD14830	Screw	RD17379	Washer	RD17944	Handle Assembly
RD14832	Spool Support A	RD17386	Handle Screw Cap Spacer	RD17945	Oscillating Gear
RD14833	Spool Support B	RD17391	Screw	RD17946	Rear Protector
RD14887	Drag Click	RD17399	Screw	RD17948	Handle Screw Cap
RD14888	Click Spring	RD17415	Click Pin	RD17949	Pinion Gear
RD15467	Oscillating Slider	RD17670	Rotor Nut Lock Plate	RD17950	Drive Gear
RD15470	Oscillating Guide	RD17683	Ball Spring	RD17953	Spool Assembly
RD16742	Drag Washer	RD17684	Ball Spring Seat	RD17954	Body
RD16774	Key Washer	RD17688	O Ring	RD17979	Counter Weight A
RD16775	Eared Washer	RD17690	Friction Ring		

(160419)_001

SHIMANO

NASCI

NAS-4000XGFB



Please note that the number of adjusting washers may not be the same as shown in the exploded views.
(51SD414300X) (Adjustment will vary with each individual product.)

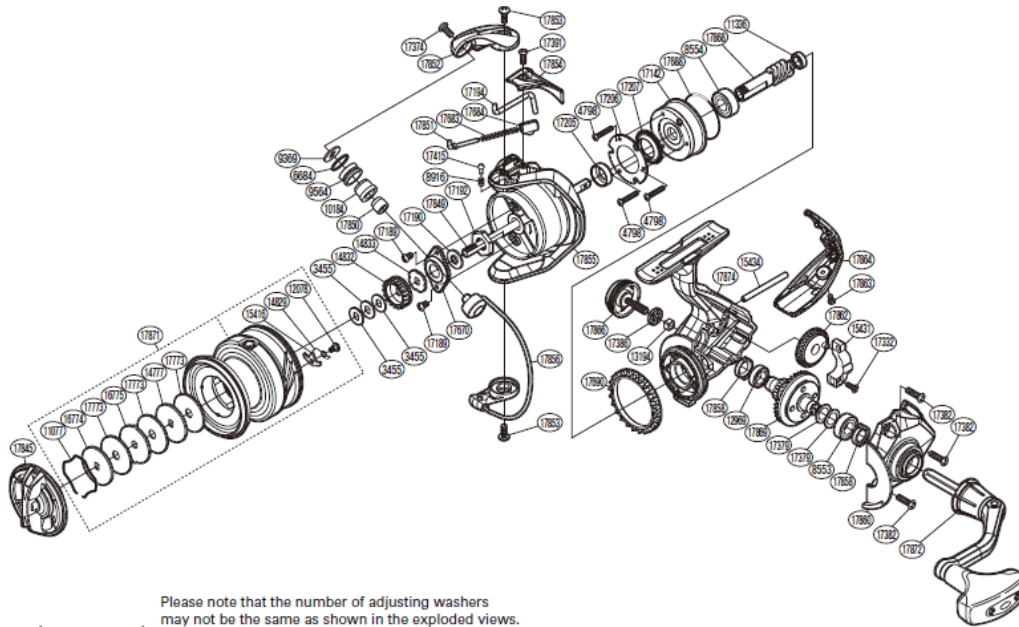
Part No.	Description	Part No.	Description	Part No.	Description
RD 3455	Spool Washer	RD17142	Roller Clutch Assembly	RD17850	Line Roller Collar
RD 4798	Screw	RD17164	Line Roller Washer	RD17851	Ball Spring Guide
RD 6616	Screw	RD17189	Screw	RD17858	Bearing Water Proof
RD 6684	Line Roller Spacer	RD17190	Bearing Water Proof	RD17863	Screw
RD 8553	Ball Bearing	RD17192	Rotor Nut	RD17879	Screw
RD 8554	Ball Bearing	RD17205	Rotor Ring	RD17933	Spool Assembly
RD 8916	Click Spring	RD17206	Roller Clutch Reinforce	RD17934	Main Shaft
RD 9564	Line Roller	RD17207	Roller Clutch Water Proof	RD17935	Ball Arm
RD10184	Line Roller Bushing	RD17237	Drag Knob	RD17936	Ball Spring Cover
RD11336	Ball Bearing	RD17242	Ball Trip Lever	RD17937	Rotor
RD12969	Ball Bearing	RD17342	Screw	RD17938	Ball Assembly
RD13194	Handle Screw Lock	RD17374	Screw	RD17939	Screw
RD14777	Key Washer	RD17379	Washer	RD17942	Side Cover
RD14830	Screw	RD17386	Handle Screw Cap Spacer	RD17943	Screw
RD14832	Spool Support A	RD17391	Screw	RD17944	Handle Assembly
RD14833	Spool Support B	RD17399	Screw	RD17945	Oscillating Gear
RD14887	Drag Click	RD17415	Click Pin	RD17946	Rear Protector
RD14888	Click Spring	RD17670	Rotor Nut Lock Plate	RD17948	Handle Screw Cap
RD15467	Oscillating Slider	RD17683	Ball Spring	RD17949	Pinion Gear
RD15470	Oscillating Guide	RD17684	Ball Spring Seat	RD17950	Drive Gear
RD16774	Key Washer	RD17688	O Ring	RD17952	Body
RD16775	Eared Washer	RD17690	Friction Ring	RD17979	Counter Weight A
RD16931	Drag Washers Retainer	RD17773	Drag Washer		

(160419)_001

SHIMANO

NASCI

NAS-C3000HGFB



Please note that the number of adjusting washers may not be the same as shown in the exploded views. (Adjustment will vary with each individual product.)
(51SD413200X)

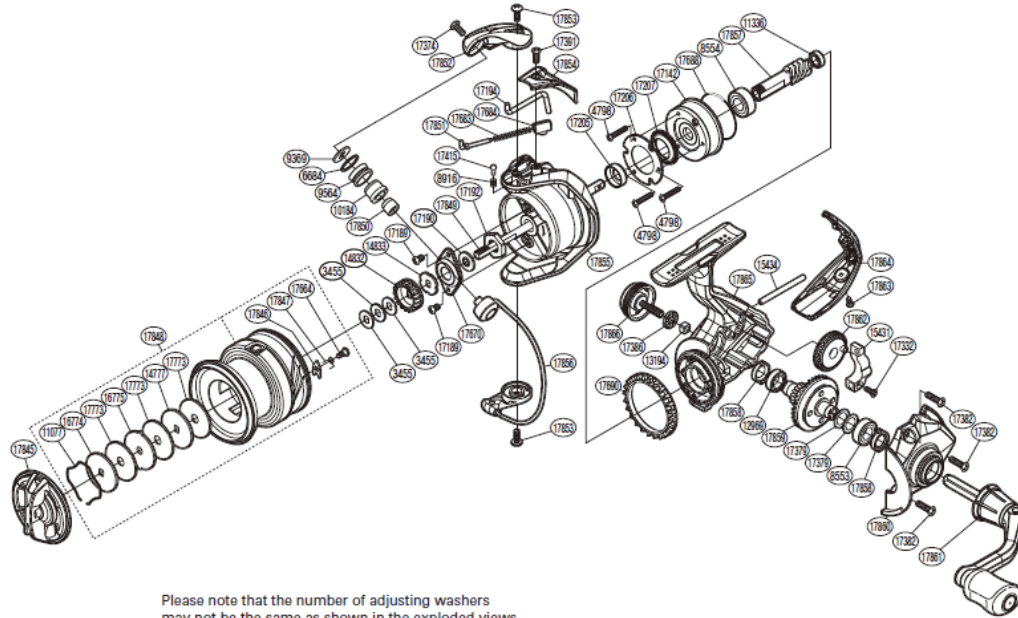
Part No.	Description	Part No.	Description	Part No.	Description
RD 3455	Spool Washer	RD16775	Eared Washer	RD17845	Drag Knob
RD 4798	Roller Clutch Screw	RD17142	Roller Clutch Assembly	RD17849	Main Shaft
RD 6684	Line Roller Spacer	RD17189	Screw	RD17850	Line Roller Collar
RD 8553	Ball Bearing	RD17190	Bearing Water Proof	RD17851	Bail Spring Guide
RD 8554	Ball Bearing	RD17192	Rotor Nut	RD17852	Bail Arm
RD 8916	Click Spring	RD17194	Bail Trip Lever	RD17853	Screw
RD 9369	Line Roller Washer	RD17205	Rotor Ring	RD17854	Bail Spring Cover
RD 9564	Line Roller	RD17206	Roller Clutch Reinforce	RD17855	Rotor
RD10184	Line Roller Bushing	RD17207	Roller Clutch Water Proof	RD17856	Bail Assembly
RD11077	Drag Washers Retainer	RD17332	Screw	RD17858	Bearing Water Proof
RD11336	Ball Bearing	RD17374	Screw	RD17860	Side Cover
RD12078	Screw	RD17379	Washer	RD17862	Oscillating Gear
RD12969	Ball Bearing	RD17382	Screw	RD17863	Screw
RD13194	Handle Screw Lock	RD17386	Handle Screw Cap Spacer	RD17864	Rear Protector
RD14777	Key Washer	RD17391	Screw	RD17866	Handle Screw Cap
RD14829	Drag Click Spring	RD17415	Click Pin	RD17868	Pinion Gear
RD14832	Spool Support A	RD17670	Rotor Nut Lock Plate	RD17869	Drive Gear
RD14833	Spool Support B	RD17683	Bail Spring	RD17871	Spool Assembly
RD15416	Drag Click	RD17684	Bail Spring Seat	RD17872	Handle Assembly
RD15431	Oscillating Slider	RD17688	O Ring	RD17874	Body
RD15434	Oscillating Guide	RD17690	Friction Ring		
RD16774	Key Washer	RD17773	Drag Washer		

(160225)_001

SHIMANO

NASCI

NAS-2500FB



Please note that the number of adjusting washers may not be the same as shown in the exploded views.
(51SD412500X) (Adjustment will vary with each individual product.)

Part No.	Description	Part No.	Description	Part No.	Description
RD 3455	Spool Washer	RD17190	Bearing Water Proof	RD17847	Drag Click Spring
RD 4798	Roller Clutch Screw	RD17192	Rotor Nut	RD17848	Spool Assembly
RD 6684	Line Roller Spacer	RD17194	Bail Trip Lever	RD17849	Main Shaft
RD 8553	Ball Bearing	RD17205	Rotor Ring	RD17850	Line Roller Collar
RD 8554	Ball Bearing	RD17206	Roller Clutch Reinforce	RD17851	Bail Spring Guide
RD 8916	Click Spring	RD17207	Roller Clutch Water Proof	RD17852	Bail Arm
RD 9369	Line Roller Washer	RD17332	Screw	RD17853	Screw
RD 9564	Line Roller	RD17374	Screw	RD17854	Bail Spring Cover
RD10184	Line Roller Bushing	RD17379	Washer	RD17855	Rotor
RD11077	Drag Washers Retainer	RD17382	Screw	RD17856	Bail Assembly
RD11336	Ball Bearing	RD17386	Handle Screw Cap Spacer	RD17857	Pinion Gear
RD12969	Ball Bearing	RD17391	Screw	RD17858	Bearing Water Proof
RD13194	Handle Screw Lock	RD17415	Click Pin	RD17859	Drive Gear
RD14777	Key Washer	RD17664	Screw	RD17860	Side Cover
RD14832	Spool Support A	RD17670	Rotor Nut Lock Plate	RD17861	Handle Assembly
RD14833	Spool Support B	RD17683	Bail Spring	RD17862	Oscillating Gear
RD15431	Oscillating Slider	RD17684	Bail Spring Seat	RD17863	Screw
RD15434	Oscillating Guide	RD17688	O Ring	RD17864	Rear Protector
RD16774	Key Washer	RD17690	Friction Ring	RD17865	Body
RD16775	Eared Washer	RD17773	Drag Washer	RD17866	Handle Screw Cap
RD17142	Roller Clutch Assembly	RD17845	Drag Knob		
RD17189	Screw	RD17846	Drag Click		

(160225)_001