

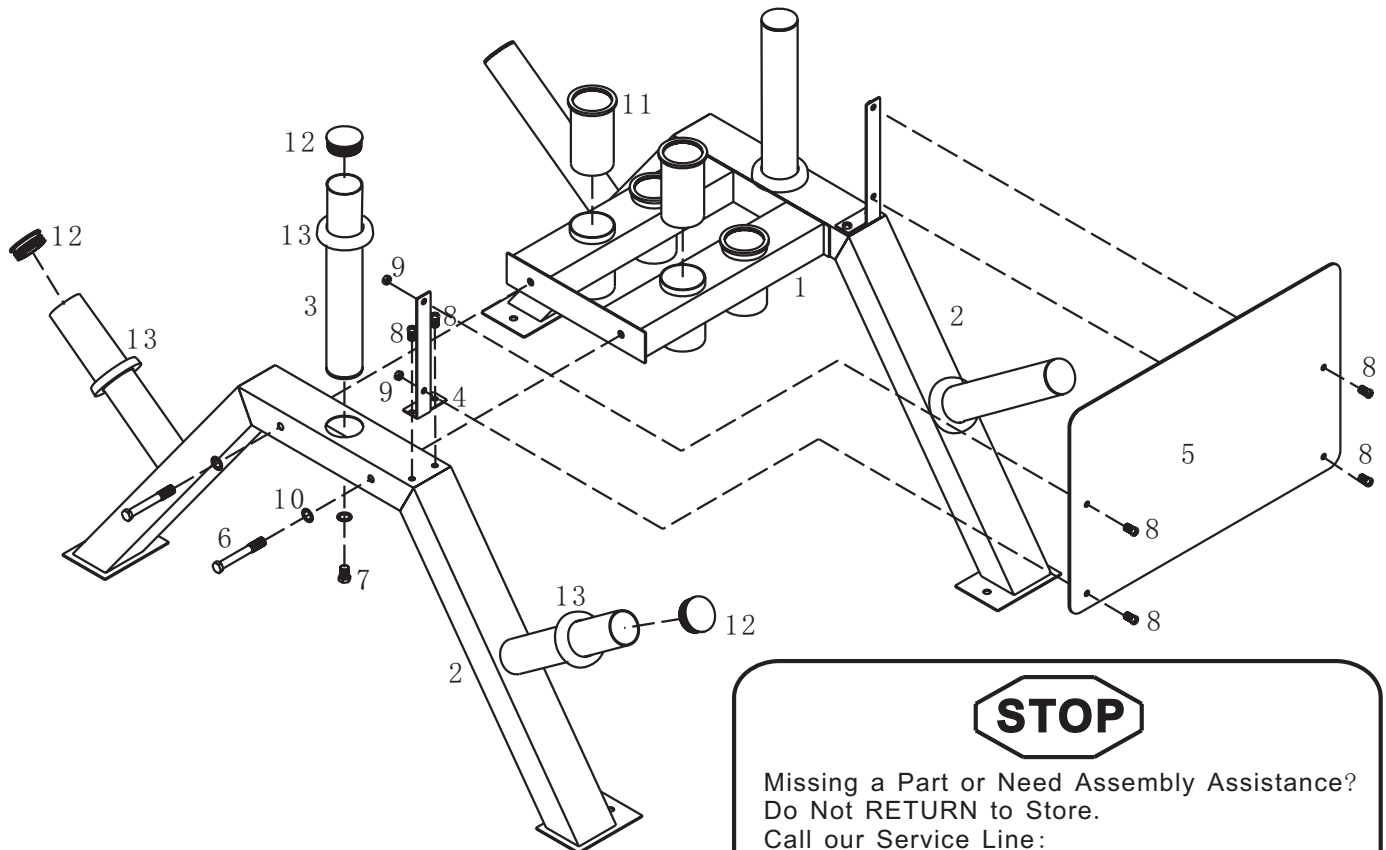


CAP Build-A-Barbell Set Display Rack

RK-34A

Assembly Drawing

No.	Part No.	Description	Qty.	Pre.-assembled
1	PRK34A-01	Bar Holder	1	No
2	PRK34A-02	Frame	2	No
3	PRK34A-03	2" Plate Posts	2	No
4	PRK34A-04	Signage Posts	2	No
5	PRK34A-05	Sign	1	No
6	PRK34A-06	M10 x 95mm Bolts	4	No
7	PFM404-18	M10 x 20mm Bolts	2	No
8	PFM2240-23	M6 x 15mm Screws	8	No
9	PRKHHDB-11	M6 Nylon Locknuts	4	No
10	PFMS80-28	M10 Washers	6	No
11	PFMG3101-22	Plastic Bushings 60 x 50	4	Yes
12	PRK2B-03	Round Plastic Caps	6	Yes
13	PRK34A-07	Rubber Stoppers	6	No



Missing a Part or Need Assembly Assistance?
Do Not RETURN to Store.
Call our Service Line:
1-877-227-0955