



Assembly Instructions & User's Manual

Academy USA Flag 10x10 Straight Canopy

FSAAPT0301



Please keep this instruction manual for future reference

**Customer Service: (888) 922-2336, 7:00am to 12:00am Everyday CST
Live Chat on Academy Website (www.academy.com) 24/7 or email
customerservice@academy.com**

Table of Contents



Warnings.....	2
Parts List and Notes.....	3
Assembly Instructions.....	4-6
Care and Maintenance.....	7
Warranty Information.....	7

IMPORTANT NOTES BEFORE YOU BEGIN:

- Before beginning assembly of product, make sure all parts are present. Compare parts with package content list above. If any part is missing or damaged, do not attempt to assemble the unit. Contact customer service for replacement parts.
- Assemble your canopy before the event to become familiar with the assembly.
- Two people are recommended for set up.
- Select a clean, level area for the shelter free of debris and sharp objects, away from a natural watercourse.

Warnings






IMPORTANT SAFETY AND TIP INFORMATION

TO MAXIMIZE THE ENJOYMENT OF YOUR PRODUCT PLEASE ASSEMBLE AND USE YOUR PRODUCT AS SAFELY AS POSSIBLE. THE PURPOSE OF THE SAFETY ALERT SYMBOL  IS TO CALL YOUR ATTENTION TO POSSIBLE HAZARDS RELATING TO THE USE AND ASSEMBLY OF YOUR PRODUCT. THE PURPOSE OF THE TIP SYMBOL  IS TO CALL YOUR ATTENTION TO SUGGESTIONS THAT WILL ASSIST YOU IN THE ASSEMBLY/DISASSEMBLY PROCESS AND ENHANCE YOUR CAMPING EXPERIENCE. WHEN YOU SEE THESE SYMBOLS, PLEASE CLOSELY FOLLOW THE INFORMATION PROVIDED.

WARNING

- **KEEP ALL FLAME AND HEAT SOURCES AWAY FROM THIS CANOPY FABRIC.**
This fabric is not fireproof! The fabric may burn if left in continuous contact with any flame source. The application of any foreign substance to the tent fabric may render the flame resistant properties ineffective.
- Do not erect this product near an open flame.
- Never use any fuel burning, oxygen consuming devices, or any device that produces fumes (including, but not limited to cooking stoves, lanterns, candles, hibachis, or heaters) in or around your product. Inhalation of fumes may result in carbon monoxide poisoning, injury and/or death.
- **FAILURE TO USE CANOPY PROPERLY CAN VOID WARRANTY.**
The canopy is designed for daily use. They should never be left unattended in rainy or windy conditions. Canopy must be taken down during heavy rain or high winds. It is not designed for long term or seasonal use. It is designed for daily outings or activities where ease of set-up and take down is required.
- This recreational product is made from synthetic fabric that has been treated and is highly resistant to the sun's Ultraviolet (UV) light. No fabric can withstand prolonged exposure to sunlight. UV damage is not covered by the limited warranty.
- Do not spray or apply insecticide or pesticide on your product. It may damage UV resistant and/or water repellent properties of this product. Any damage caused by applying insecticide or pesticide on this product is not covered by the limited warranty.
- This recreational product is constructed to rigid specifications. It is not made, however, for extreme weather, climates, or environments. Modification, abuse and extreme weather are some conditions that may adversely affect the structural integrity.


Parts List

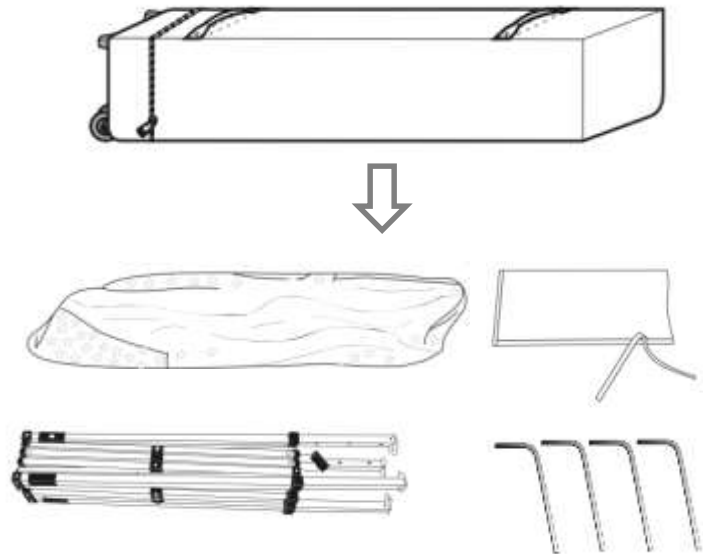
A	Canopy polyester fabric body		1
B	Speed Up Steel Frame (Frame size 10' x 10' x 9'4")		1
C	Carry Bag		1
D	Steel Stakes		8
E	Guy Lines		4

Assembly Instructions

Step 1:

Verify package contents by emptying contents of bag(s) and confirming all parts are undamaged.

 **Tip: Do this at home prior to your first use of the product.**

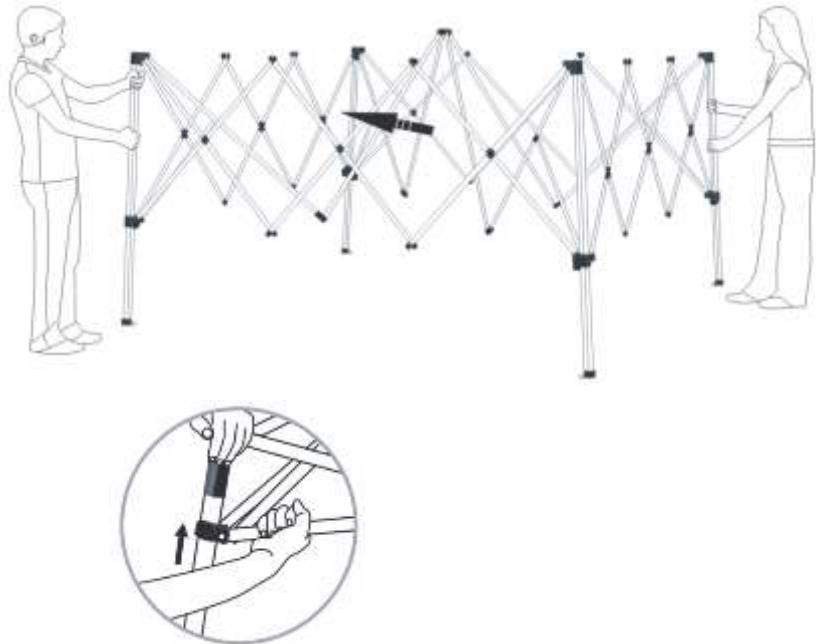


Step 2:

Pull and Extend the frame:

- Select a smooth level site to let your shelter stand in.
- With two people on diagonal corners of the structure, each grab a leg and have one person stand in place while the other walks the frame out. Slide the roof lock mechanisms located on each leg, up toward roof corners, two legs at a time; at each leg, listen for lock to “click” into place. Stop adjusting frame legs at mid-level (half-way mark) for the next step.

 **Tip: Two people stand on diagonal corners.**



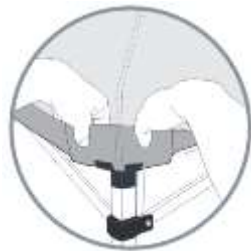
Assembly Instructions

Step 3:

Cover the frame with Fabric Shell

- Lay the fabric over the roof.
- Line up all corners, adjusting from opposite sides. Fabric will fit snugly.
- Attach the hook and loop fastener on the underside of the roof fabric to the roof frame.


 **Tip:** Pay careful attention of the two hook and loop fastener points shown on right.




Step 4:

Extend the Legs:

Step on frame leg base.
Working from opposite sides, slide the roof lock mechanisms (located on upper leg portion) upwards until they lock into place. The amount of force necessary will be much less if you ensure the leg segment remains in its slanted position.

 **Tip 1:** Do not try and straighten the legs as this could damage the frame.


 **Tip 2:** You will hear and feel a click when the roof lock is correctly secured at each position.



Assembly Instructions

Step 5:

Stake Canopy by driving stakes through the holes at the foot of each leg.

 **Tip: Use Additional weights (sand bags, other heavy objects) on each foot or place legs twelve inches down into sand to help secure set up for beach use. Stake alone will not secure Canopy in sand or soft soil.**



Step 6:

If necessary, put the guy lines through the “U” shaped plastic ring and make a knot on the end. On the other end pull the guy lines to the direction wanted and fix it into the ground with a stake .



Care and Maintenance

- Your product must be stored dry. One of the easiest ways to damage your product is storing it while it is wet. Storing a wet canopy as short a 24 hours in warm weather is likely to cause mildew on the fabric coatings and are not covered by the limited warranty.
- If you must close camp in the rain, open your product and set it up to allow it to dry as soon as possible. Allow dirt to dry on the fabric after a rainfall before lightly sweeping it off with a brush. For tougher stains, spray the area with water and lightly wipe it off with a few strokes. Do not use washer or dryer. **DO NOT SCRUB THE FABRIC. ALWAYS MAKE SURE CANOPY IS COMPLETELY DRY BEFORE REPACKING.**
- Do not leave your canopy set up for weeks at a time. Exposure to ultraviolet rays from the sun can damage and /or discolor the material.
- Clean the poles with a cloth and lubricate them with a silicone spray to help prevent corrosion and keep from being gritty. This is especially important after using the canopy around salt water.
- Store the stakes in a separate storage bag. Do not pack the stakes inside the canopy.

Warranty Information

This product has been manufactured under the highest standards of quality and workmanship. We warrant to the original consumer purchaser that all aspects of this product will be free of defects in material and workmanship for one year from the date of purchase. A replacement for any defective part will be supplied free of charge for installation by the consumer. Defects or damage caused by the use of other than genuine parts are not covered by this warranty. This warranty shall be effective from the date of purchase as shown in the purchaser receipt.

This warranty is valid for the original consumer purchaser only and excludes industrial, commercial or business use of the product, product damage due to shipment or failure which results from alteration, product abuse, or product misuse, whether performed by a contractor, service company, or consumer. We will not be responsible for labor charges and/or damage incurred in installation, repair or replacement nor for incidental or consequential damage. This warranty does not apply to damages caused by wind, rain, or other forces of nature, not to accidental or deliberate damage of the product, nor to use of the product that does not conform with the product instructions.