



We strive to ensure that our products are of the highest quality and free of manufacturing defects or missing parts. However, if you have any problems with your new product,

**DO NOT RETURN IT TO THE STORE,**

please contact us toll free @:

**1-888-996-2729**

**FAX: 1-866-873-3531**

**gamerom@escaladesports.com**

Or write to:

Escalade Sports

Customer Service Department

P.O. Box 889

Evansville, IN 47706

Please visit our Web site at:

**[www.escaladesports.com](http://www.escaladesports.com)**

Please have your date code when inquiring about parts.

When contacting Escalade Sports please provide your model number, date code (if applicable), and part number if requesting a replacement part. These numbers are located on the product, packaging, and in this owners manual.

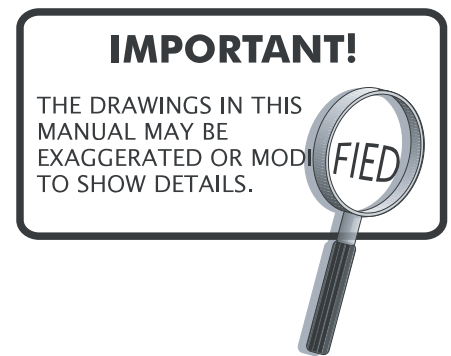
Your Model Number: **G05214W**

Date Code: **2-G05214W- -WJ**

Purchase Date: \_\_\_\_\_

**PLEASE RETAIN THIS INSTRUCTION MANUAL FOR FUTURE REFERENCE**

**IMPORTANT! READ EACH STEP  
IN THIS MANUAL BEFORE YOU  
BEGIN THE ASSEMBLY.**



## **THREE ADULTS ARE REQUIRED TO ASSEMBLE THIS ATOMIC 7FT 2-IN-1 FLIP TOP GAME TABLE**

### **Tools Required:**

- Wrench T1 included with the table
- Phillips Screwdriver
- Furniture Polish and Cloth

An electric screwdriver is helpful in assembly. However, please set a low torque and use extreme caution with an electric screwdriver because you could overtighten the hardware and strip the screws.

## **Assembly Tips**

Make sure you understand the following tips before you begin to assemble your flip table.

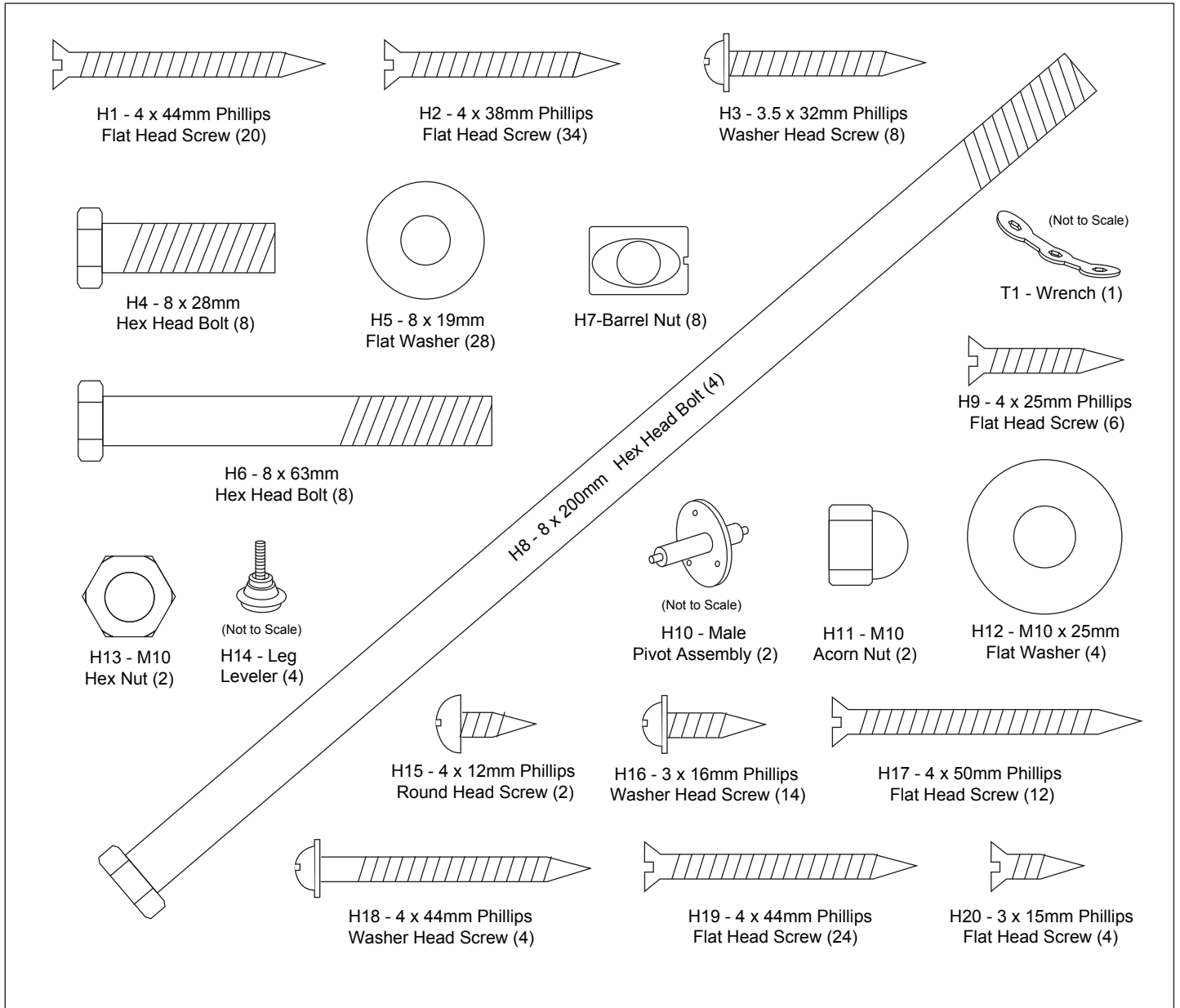
1. Start all bolts by hand before tightening.
2. Some drawings or images in this manual may not look exactly like your product. Please read and understand the text before starting each assembly step.

### **WARNING:**

**READ AND FOLLOW ALL ASSEMBLY, OPERATION, AND  
SAFETY INSTRUCTIONS CAREFULLY. AT LEAST TWO  
ADULTS ARE NEEDED TO PUT THIS GAME TABLE  
TOGETHER.**

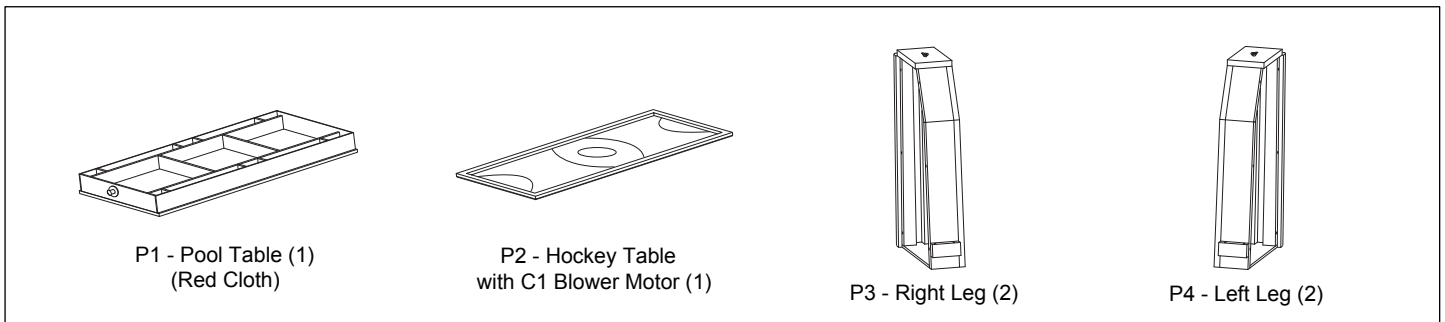
# HARDWARE IDENTIFIER

## (To Scale)



# PARTS IDENTIFIER

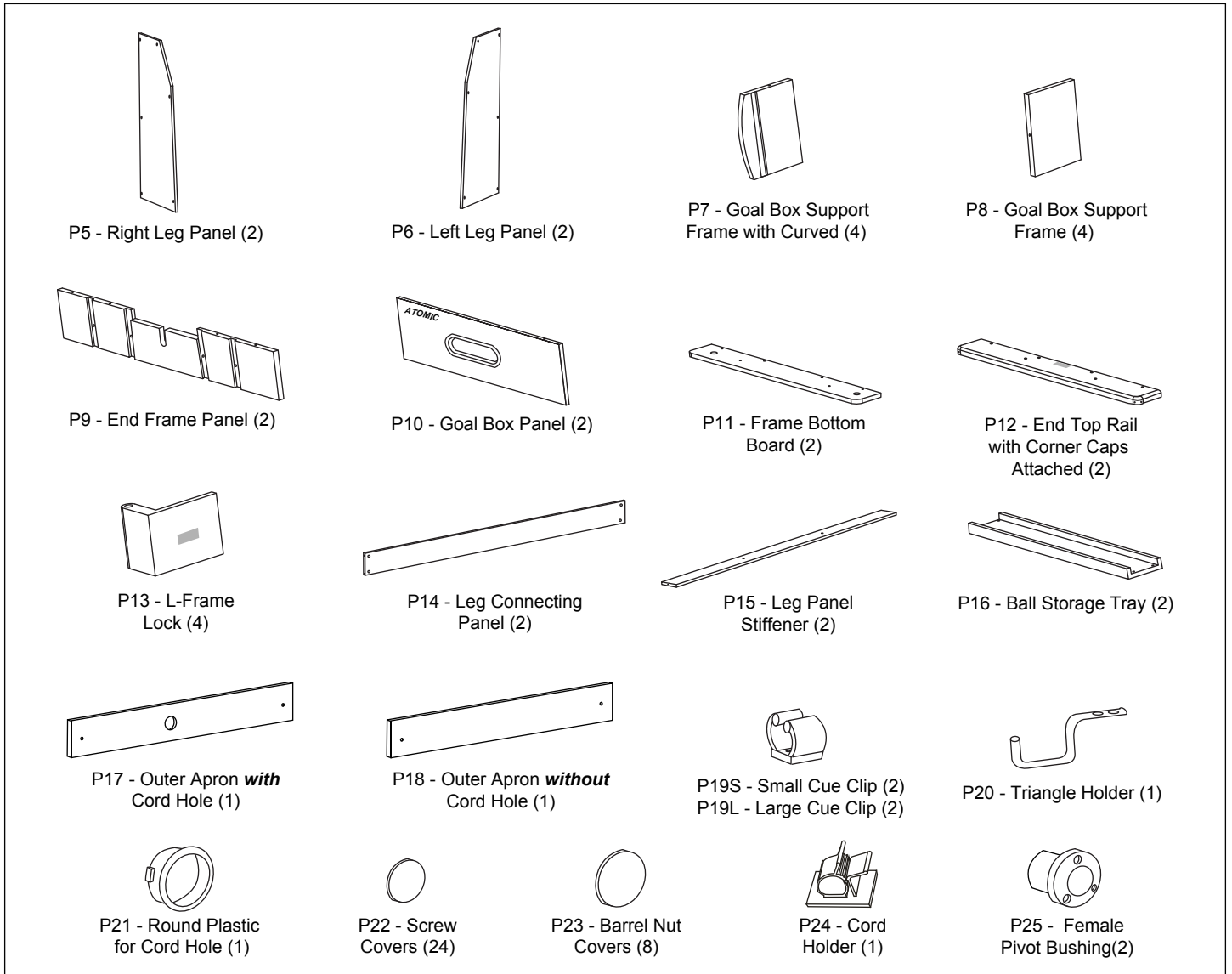
## (Not to Scale)



**WARNING:**  
**CHOKING HAZARD**  
 Small parts.  
 Not for children under 3 yrs.

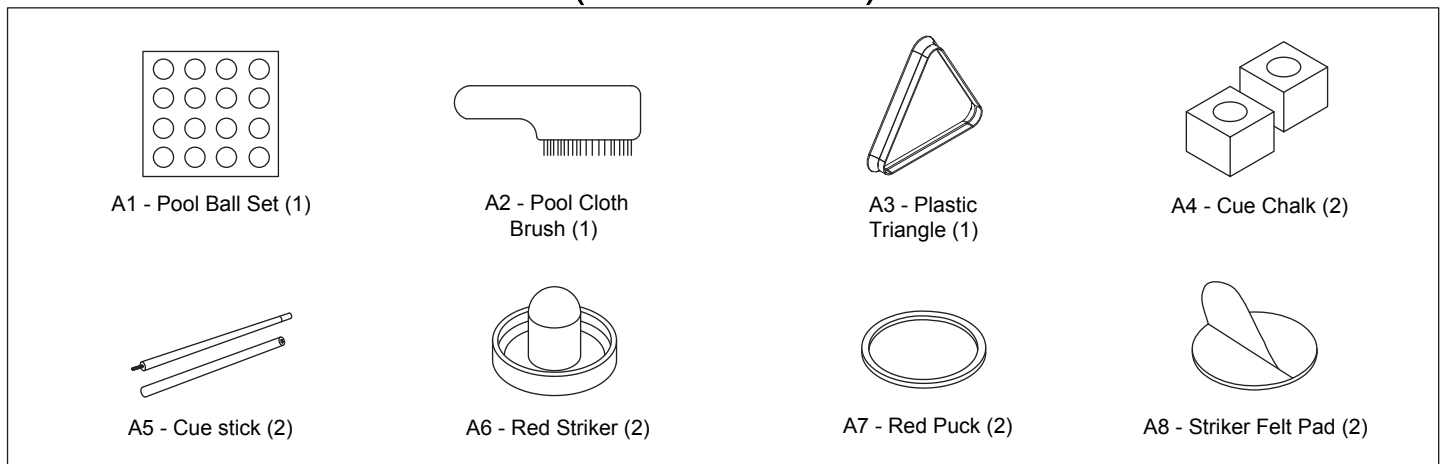
# PARTS IDENTIFIER

(Not to Scale)



# ACCESSORY IDENTIFIER

(Not to Scale)

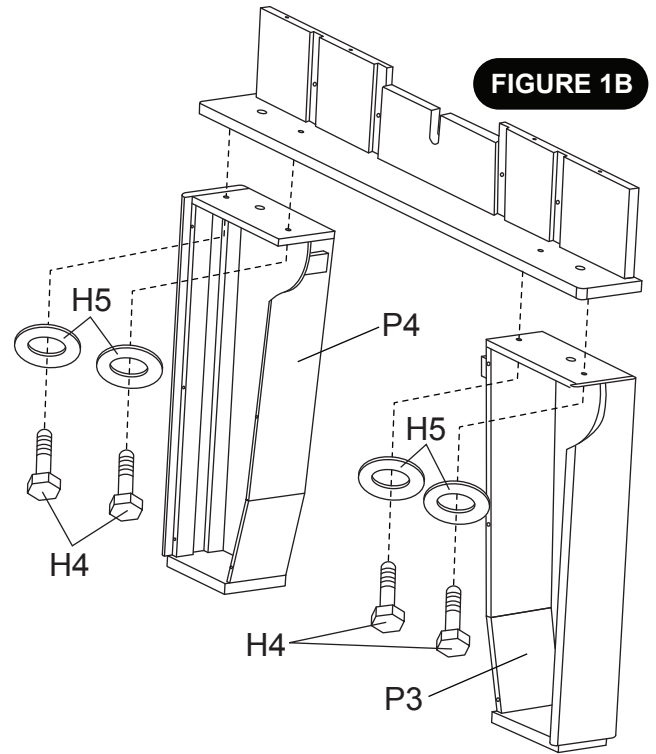
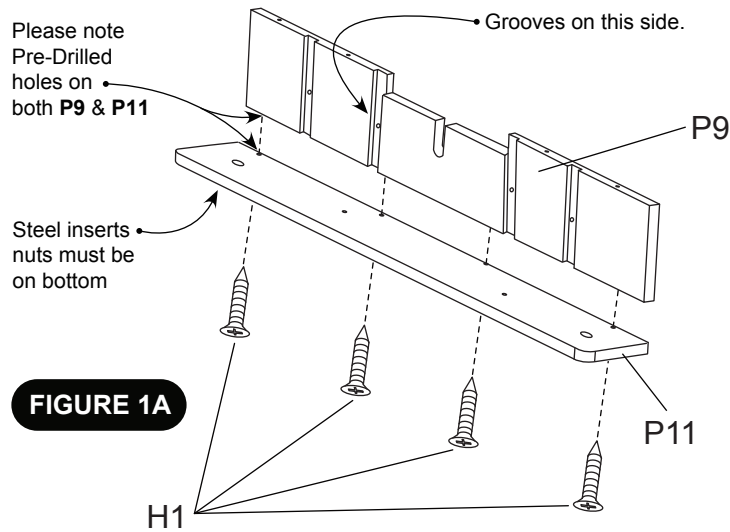


**IMPORTANT NOTE: CAREFULLY LIFT UP THE AIR HOCKEY PLAYFIELD AND REMOVE ALL ASSEMBLY PARTS, BEING SURE TO CHECK ALL INNER TABLE COMPARTMENTS FOR PARTS. FIND A CLEAN LEVEL PLACE TO BEGIN ASSEMBLY. WE RECOMMEND BUILDING THE TABLE IN THE BOX TOP TO PROTECT PARTS DURING ASSEMBLY.**

PARTS REQUIRED		
8 pcs - H1 Phillips Flat Head Screw	2 pcs - P3 Right Leg	2 pcs - P11 Frame Bottom Board
8 pcs - H4 Hex Head Bolt	2 pcs - P4 Left Leg	1 pc - T1 Wrench
8 pcs - H5 Flat Washer	2 pcs - P9 End Frame Panel	

**STEP 1:**

Secure P9 End Frame Panel to P11 Frame Bottom Board using H1 Screws as shown in FIGURE 1A. Attach the assembly from FIGURE 1A to P3 Right Leg and P4 Left Leg by insert H4 Bolts and H5 Washers from inside of leg as shown in FIGURE 1B. Use T1 Wrench to tighten H4 Bolts. Repeat with other set of legs.

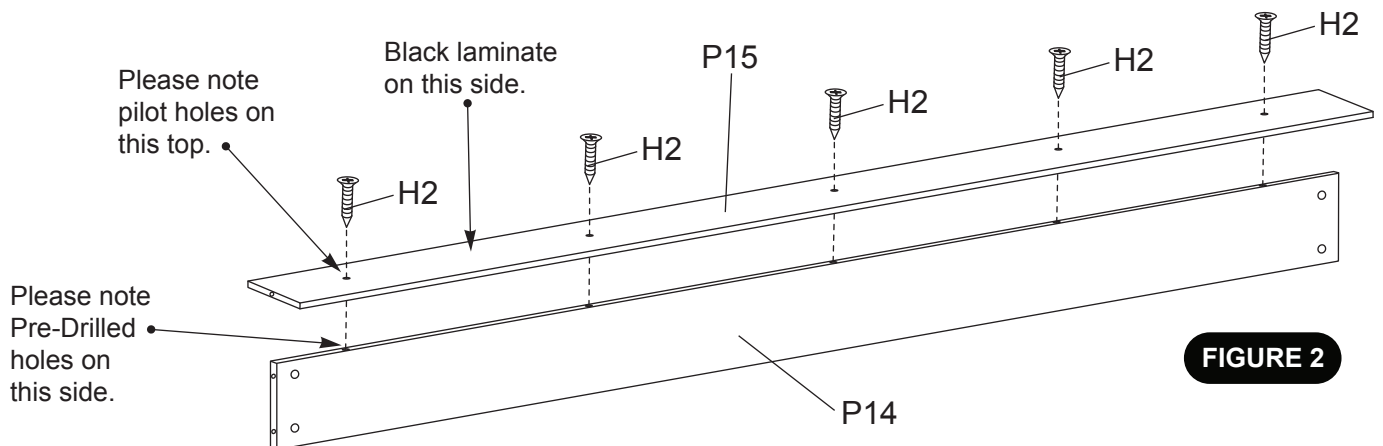


**IMPORTANT NOTE:**  
Be careful not to strip these screws.  
All H1 Screws must be tight - but not stripped.

PARTS REQUIRED
10 pcs - H2 Phillips Flat Head Screw
2 pcs - P14 Leg Connecting Panel
2 pcs - P15 Leg Panel Stiffener

**STEP 2:**

Install P15 Leg Panel Stiffeners to P14 Leg Connecting Panels using H2 Screws as shown in FIGURE 2. Important Note: Be careful not to strip these screws. All H2 Screws must be tight - but not stripped.

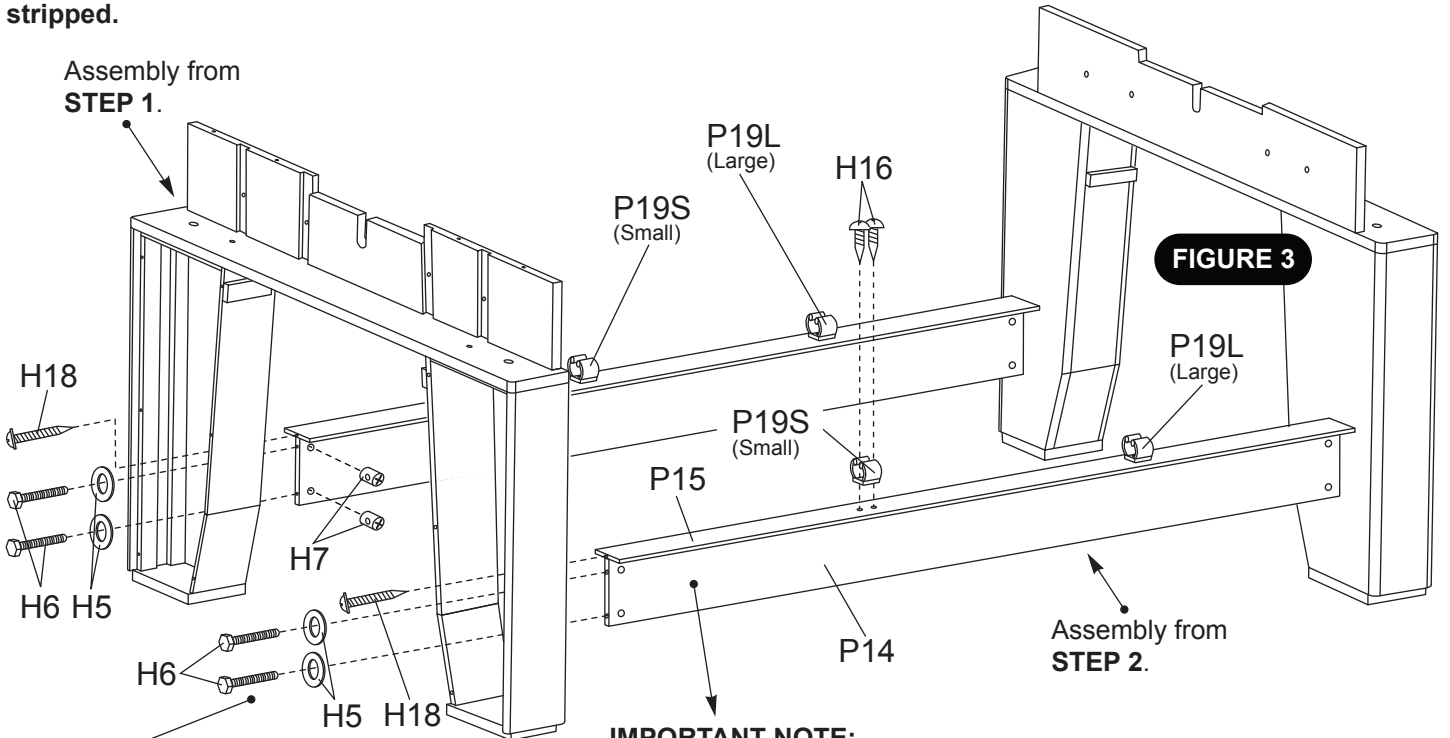


## PARTS REQUIRED

8 pcs - <b>H5</b> Flat Washer	8 pcs - <b>H16</b> Phillips Round Head Screw	2 pcs - <b>P19L</b> Large Cue Clip
8 pcs - <b>H6</b> Hex Head Bolt	4 pcs - <b>H18</b> Phillips Washer Head Screw	Cue Clip
8 pcs - <b>H7</b> Barrel Nut	2 pcs - <b>P19S</b> Small Cue Clip	1 pc - <b>T1</b> Wrench

### STEP 3:

With the help of another adult, attach the assembly from **STEP 2 (FIGURE 2)** to the assembly from **STEP 1 (FIGURE 1B)** using **H6** Hex Bolts with **H5** Flat Washers and **H7** Barrel Nuts as shown in **FIGURE 3**. Do Not Tighten **H6** Bolts at this time. Next, secure **P15** Leg Panel Stiffener using **H18** Screws as shown in **FIGURE 3**. Use **T1** Wrench to tighten **H6** Bolts. Attach **P19S** Small & **P19L** Large Cue Clips to **P15** Leg Panel Stiffeners using pre-drilled holes with **H16** Screws as shown in **FIGURE 3**. **Important Note: Be careful not to strip these screws. All H16 & H18 Screws must be tight - but not stripped.**



**IMPORTANT NOTE:**  
Tighten, But do not overtighten all **H6** Bolts.

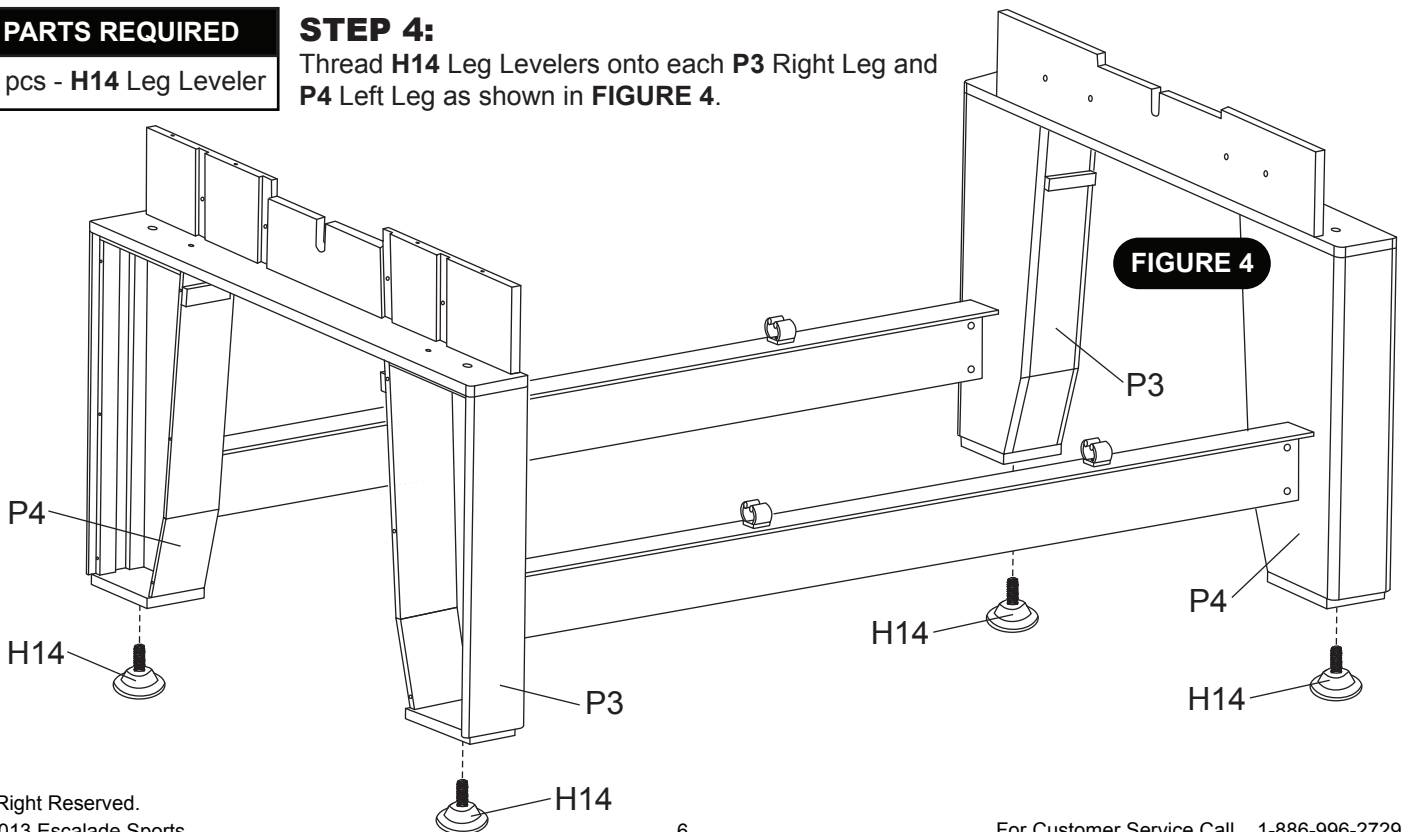
**IMPORTANT NOTE:**  
Install each P14/P15 (Assembly from STEP 2) by making sure the 5(five) black barrel nuts are facing inside of table.

### PARTS REQUIRED

4 pcs - **H14** Leg Leveler

### STEP 4:

Thread **H14** Leg Levelers onto each **P3** Right Leg and **P4** Left Leg as shown in **FIGURE 4**.



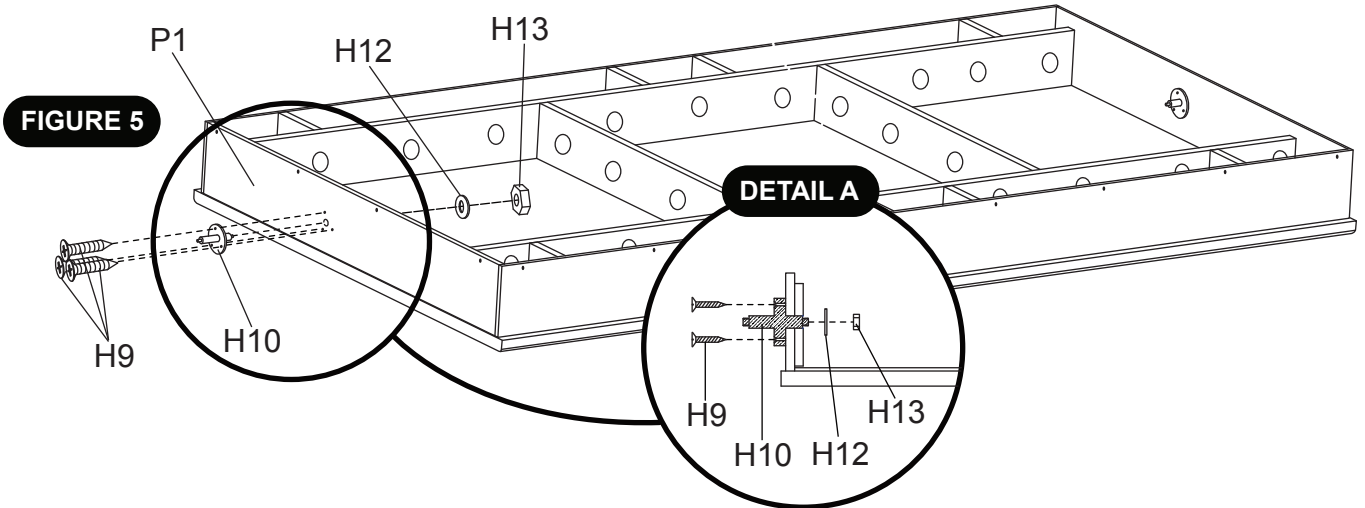
### PARTS REQUIRED

6 pcs - H9 Phillips Flat Head Screw	2 pcs - H13 Hex Nut
2 pcs - H10 Male Pivot Assembly	1 pc - P1 Pool Table
2 pcs - H12 Flat Washer	1 pc - T1 Wrench

#### STEP 5:

Attach H10 Male Pivot Assembly to each end apron using H9 Screws as shown in FIGURE 5 and DETAIL A. Secure each H10 Male Pivot Assembly with H12 Washer and H13 Nut as shown in FIGURE 5 and DETAIL A. Use T1 Wrench to tighten each H13 Nut.

**Important Note:** Be careful not to strip these screws. All H9 Screws must be tight - but not stripped.



**IMPORTANT NOTE: BEFORE INSTALLING PLAYFIELD SCREWS - PLEASE BE SURE ALL PARTS HAVE BEEN REMOVED FROM INNER CABINET AND AIR MOTOR CORD IS BROUGHT THROUGH THE HOLE IN SIDE PANEL.**

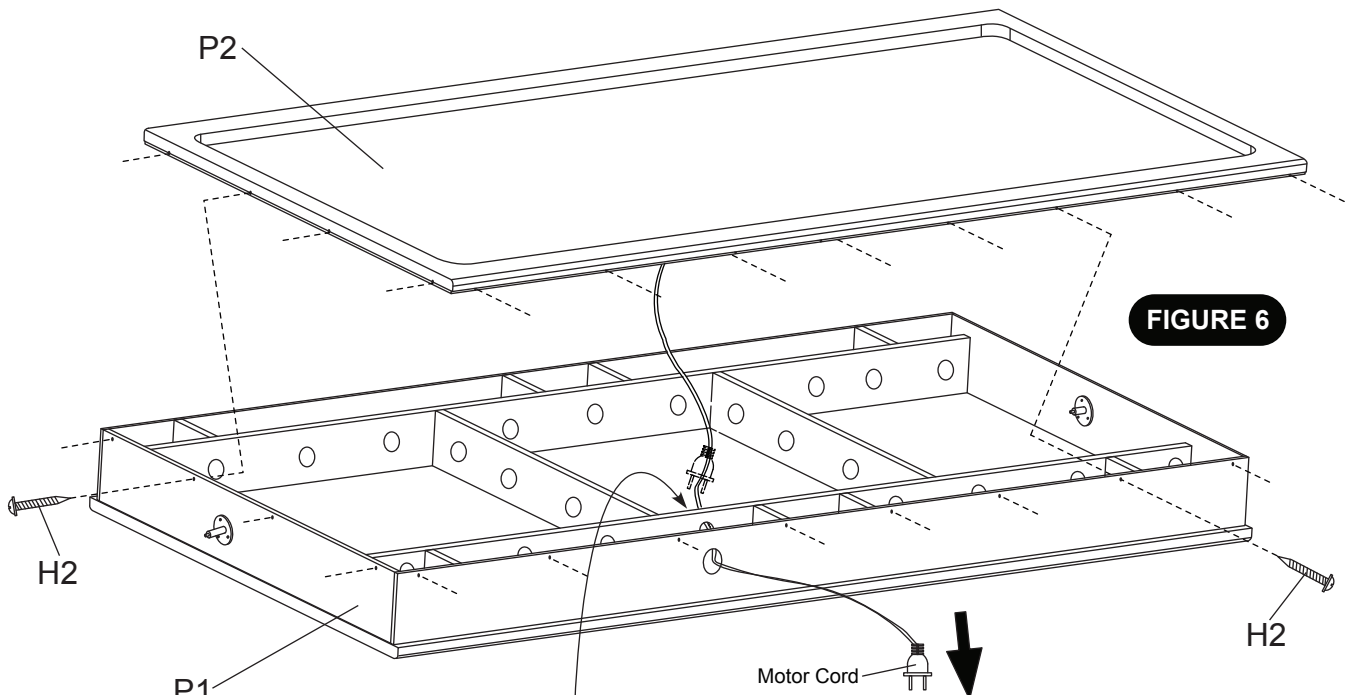
### PARTS REQUIRED

24 pcs - H2 Phillips Washer Head Screw
1 pc - P2 Hockey Table

#### STEP 6:

With the help of another adult, carefully install P2 Hockey Table into P1 Pool Table using H2 Screws as shown in FIGURE 6.

**IMPORTANT,** be sure to feed the plug end from the fan motor through the hole in the side apron. Be careful not to strip these screws. All H2 Screws must be tight - but not stripped.



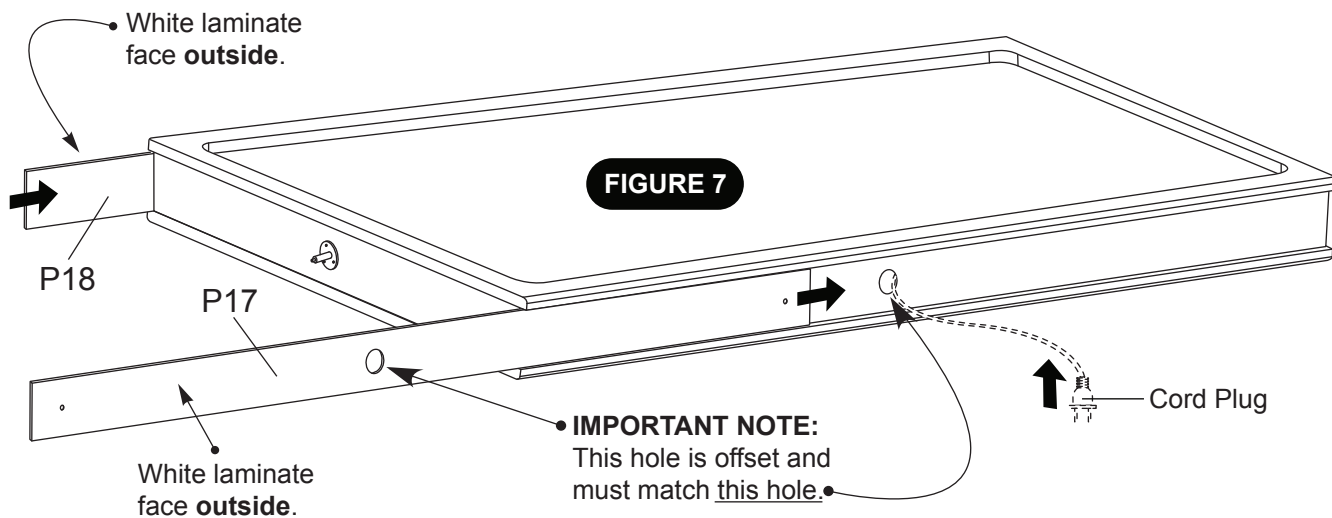
**IMPORTANT NOTE:**  
Do not run cord through Side Pocket hole.  
Use holes beside the Side Pocket.

**PARTS REQUIRED**

- 1 pc - P17 Outer Apron *with* Cord Hole
- 1 pc - P18 Outer Apron *without* Cord Hole

**STEP 7:**

To install P17 Outer Apron *with* Cord Hole, please feed the cord plug end back inside the hole in side apron. Carefully insert and sleeve P17 Outer Apron *with* Cord Hole and P18 Outer Apron *without* Cord Hole as shown in FIGURE 7.

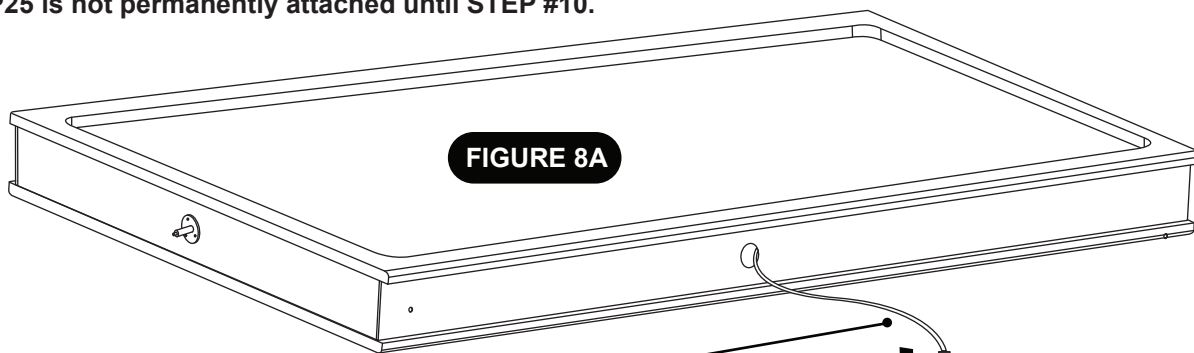


**PARTS REQUIRED**

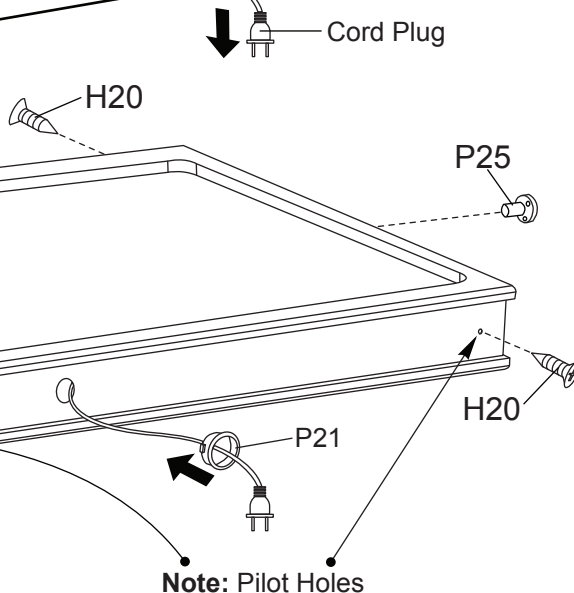
- 4 pcs - H20 Phillips Flat Head Screw
- 1 pc - P21 Round Plastic for Cord Hole
- 2 pcs - P25 Female Pivot Bushing

**STEP 8:**

Feed the plug end again through the hole in the side apron as shown in FIGURE 8A. Attach P21 Round Plastic for Cord Hole as shown in FIGURE 8B. Install four (4) pcs H20 Screws on each end of the side apron as shown in FIGURE 8B. Insert P25 Female Pivot Bushing onto each H10 Male Pivot Assembly on each end of table as shown in FIGURE 8B. **NOTE: The P25 is not permanently attached until STEP #10.**



**IMPORTANT NOTE:** Do not run cord through side pocket holes. Please use the holes directly beside the side pocket.



**IMPORTANT NOTE:** End of P17 & P18 Outer Apron must be flush with table end apron.



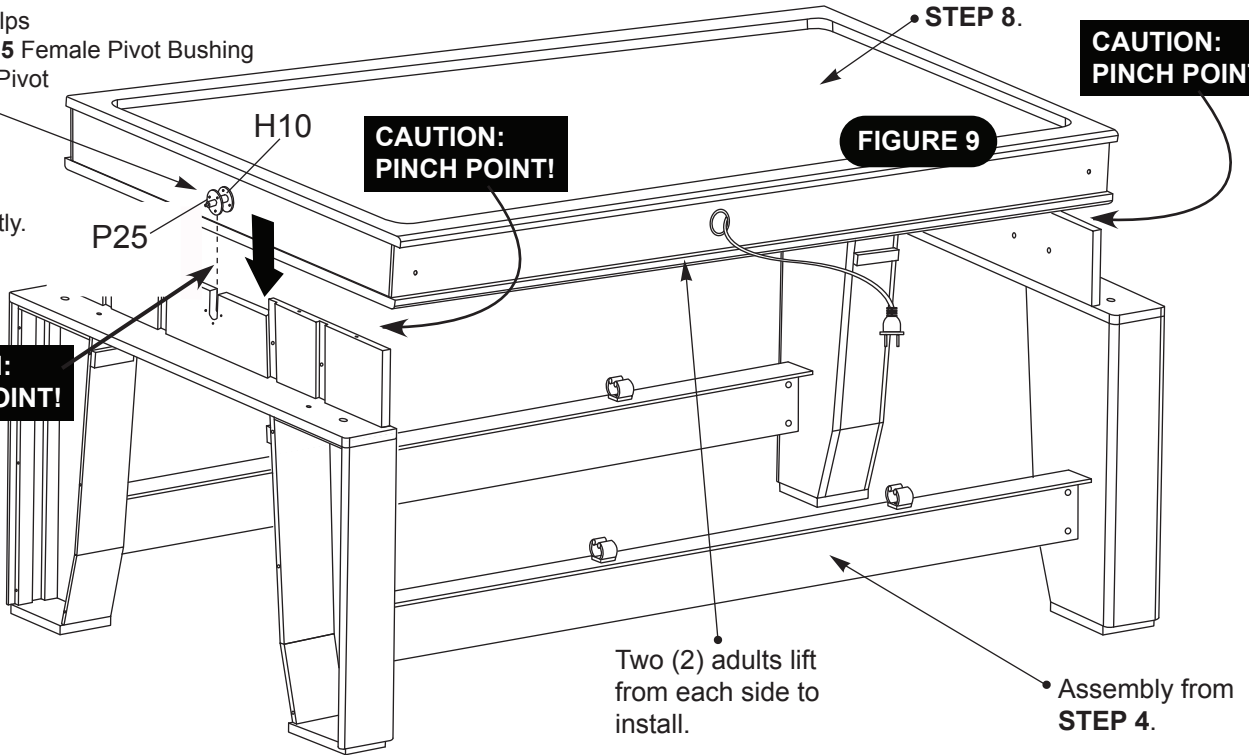
**! WARNING:**

**THIS STEP REQUIRES THREE OR MORE ADULTS.**

**STEP 9:**

With the help of another adult, carefully lift the assembly from **STEP 8 (FIGURE 8B)** to the assembly from **STEP 4 (FIGURE 4)** as shown in **FIGURE 9**.

3rd adult helps to insure **P25 Female Pivot Bushing / H10 Male Pivot Assembly** slides down into slot on each end of table correctly.



**CAUTION: PINCH POINT!**

**CAUTION: PINCH POINT!**

**CAUTION: PINCH POINT!**

**FIGURE 9**

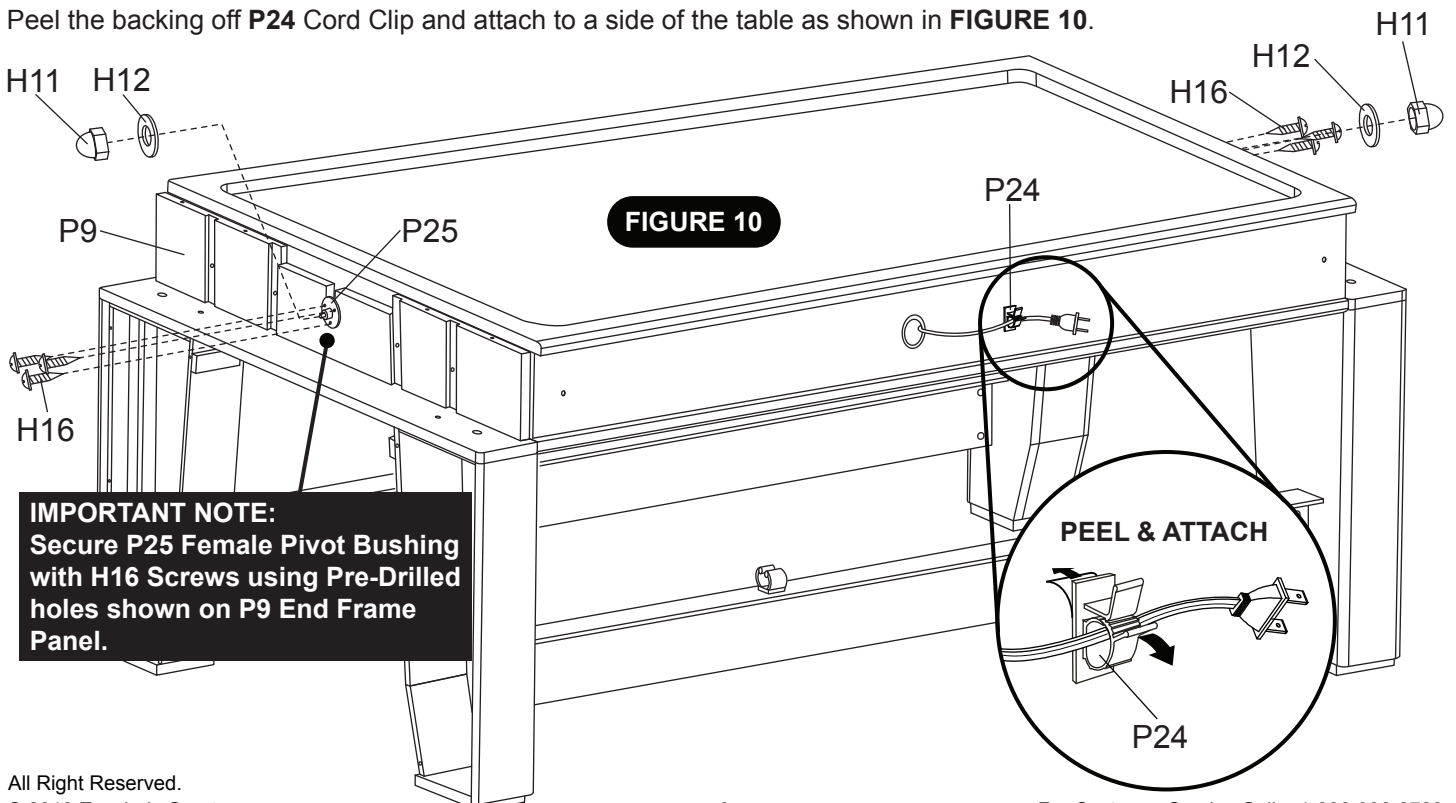
PARTS REQUIRED	
2 pcs - H11 Acorn Nut	6 pc - H16 Screw
2 pcs - H12 Flat Washer	1 pc - P24 Cord Clip

**STEP 10:**

Secure the assembly from **STEP 8 (FIGURE 8B)** and the assembly from **STEP 4 (FIGURE 4)** using **H16 Screws** as shown in **FIGURE 10**. **IMPORTANT NOTE: Secure P25 Female Pivot Bushing with H16 Screws using Pre-Drilled holes shown on P9 End Frame Panel. All H16 Screws must be tight - but not stripped.**

Secure assembly using **H12 Washer** with **H11 Acorn Nuts** as shown in **FIGURE 10**. Use **T1 Wrench** to tighten **H11 Acorn Nuts**.

Peel the backing off **P24 Cord Clip** and attach to a side of the table as shown in **FIGURE 10**.



**IMPORTANT NOTE:** Secure **P25 Female Pivot Bushing** with **H16 Screws** using **Pre-Drilled holes** shown on **P9 End Frame Panel**.

**FIGURE 10**

## PARTS REQUIRED

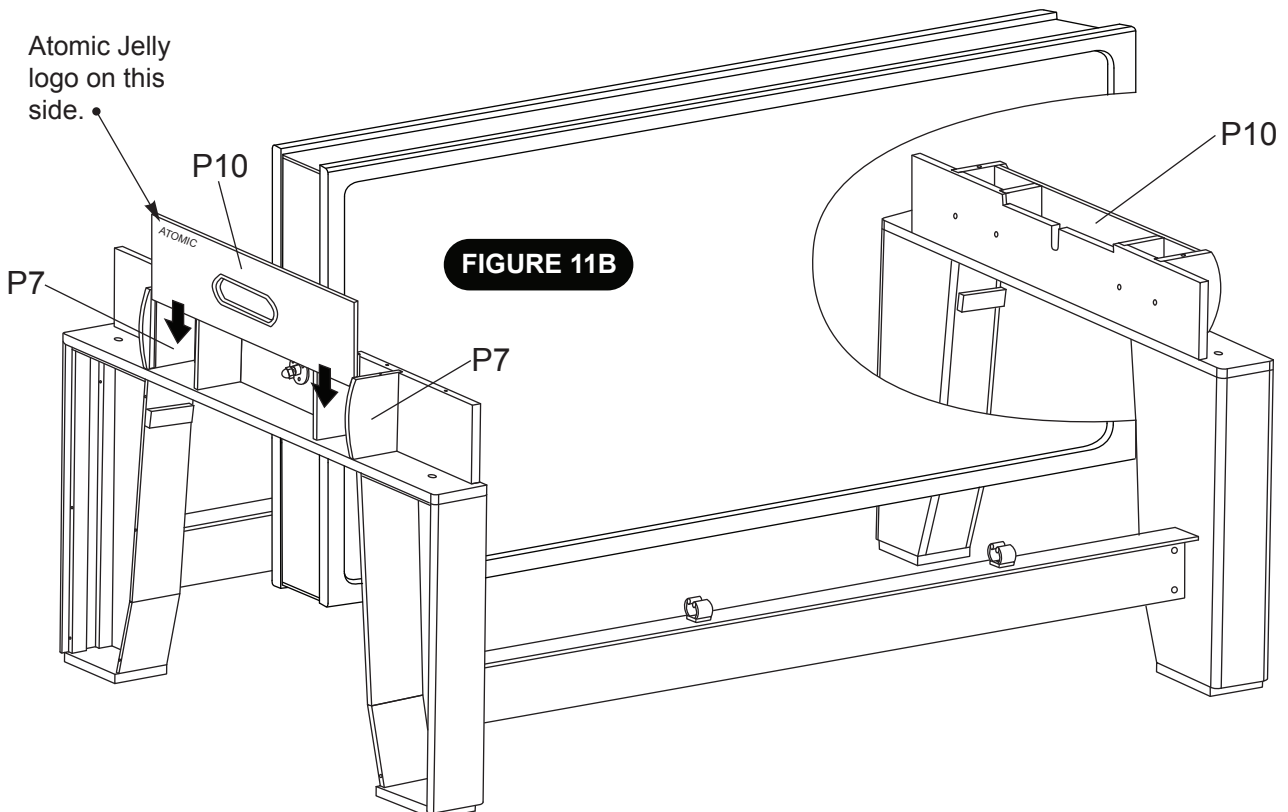
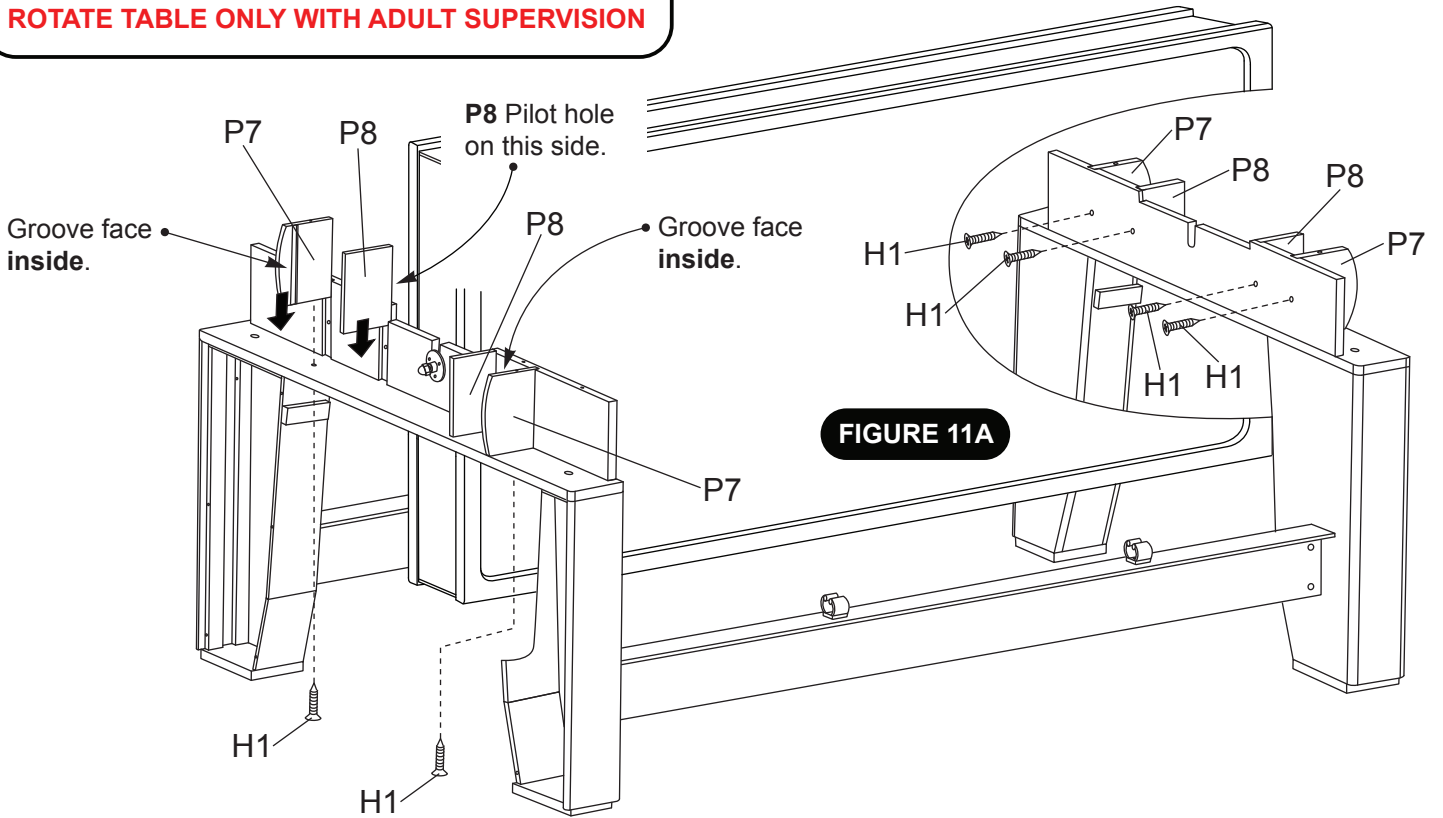
12 pcs - **H1** Phillips Flat Head Screw  
 4 pcs - **P7** Goal Box Support Frame with Curved

4 pcs - **P8** Goal Box Support Frame  
 2 pcs - **P10** Goal Box Panel

### STEP 11:

Rotate table approximately 90 degrees as shown. With the help of another adult hold the table in this position to install **P7** Goal Box Support Frames with Curved and **P8** Goal Box Support Frames using **H1** Screws as shown in **FIGURE 11A**. Slide **P10** Goal Box Panels between **P7** Goal Box Support Frames with Curved on each end of table as shown in **FIGURE 11B**. **Important Note: Be careful not to strip these screws. All H1 Screws must be tight - but not stripped.**

**CAUTION! PINCH POINTS**  
**ROTATE TABLE ONLY WITH ADULT SUPERVISION**



## PARTS REQUIRED

12 pcs - **H5** Flat Washer  
4 pcs - **H8** Hex Head Bolt

12 pcs - **H17** Phillips Flat Head Screw  
2 pcs - **P12** End Top Rail

4 pcs - **P13** L-Frame Lock  
1 pc - **T1** Wrench

### STEP 12:

With the help of another adult, hold the table in this position to install **P13** L-Frame Locks to each (2) leg assembly.

Place **H5** Washer on **H8** Bolt, insert bolt and washer upward through leg assembly, through **H5** Washer, through **P13** L-Frame Lock, through **H5** Washer, and finally thread into bottom side of **P12** End Top Rail as shown in **FIGURE 12**.

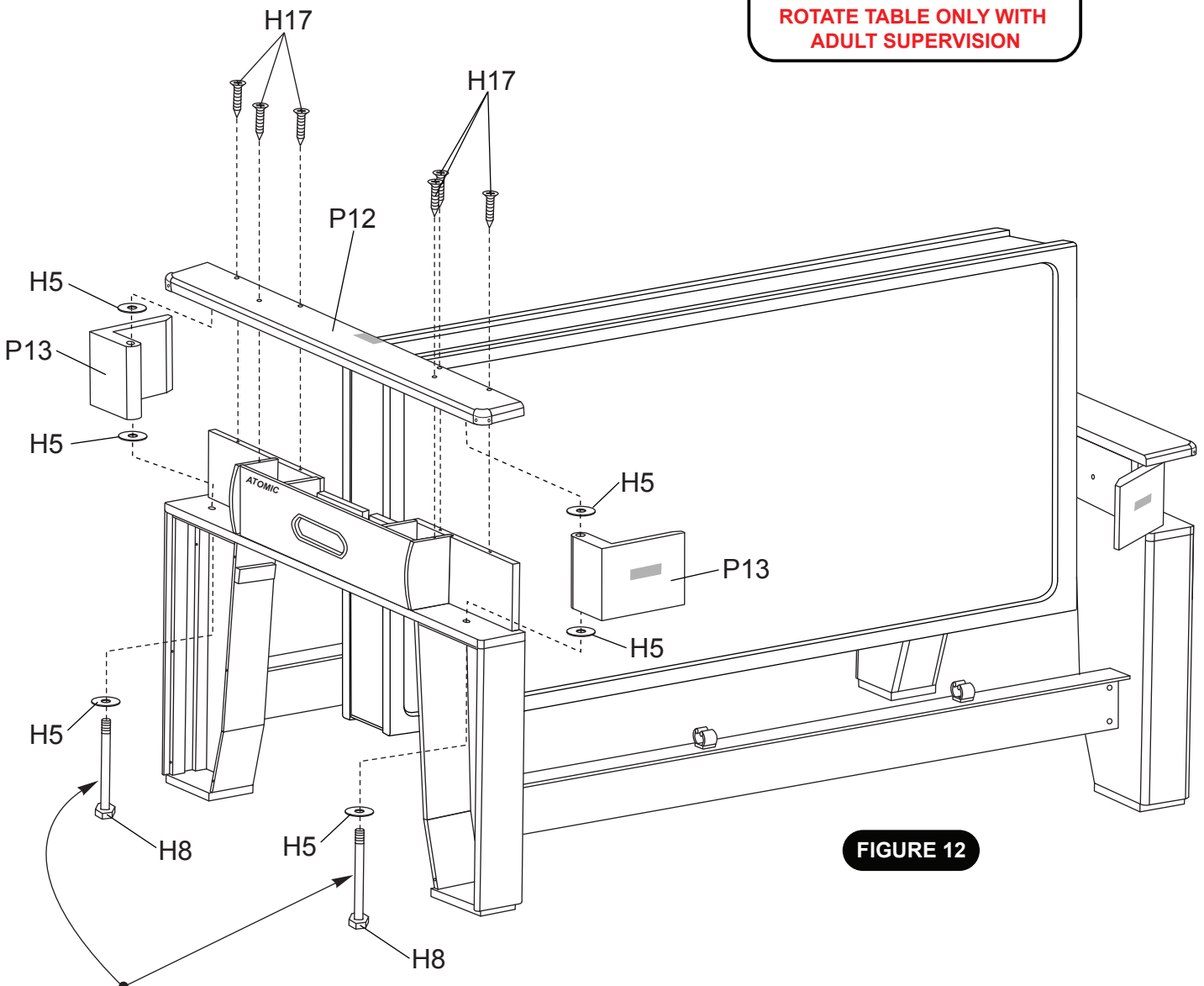
**IMPORTANT NOTE: DO NOT OVERTIGHTEN H8 BOLTS AS P13 L-FRAME LOCKS MUST BE FREE TO PIVOT.** Repeat with other legs.

Next, Secure the **P12** End Top Rail using **H17** Screws as shown in **FIGURE 12**.

**Important Note: Be careful not to strip these screws. All H17 Screws must be tight - but not stripped.**

Repeat this procedure on other leg assembly.

**CAUTION! PINCH POINTS  
ROTATE TABLE ONLY WITH  
ADULT SUPERVISION**



**IMPORTANT NOTE:  
DO NOT OVERTIGHTEN H8 BOLTS  
AS P13 L-FRAME LOCKS MUST  
BE FREE TO PIVOT.**

## PARTS REQUIRED

24 pcs - **H19** Phillips Flat Head Screw  
2 pcs - **P5** Right Leg Panel

2 pcs - **P6** Left Leg Panel  
24 pcs - **P22** Screw Covers  
8 pcs - **P23** Barrel Nut Covers

### STEP 13:

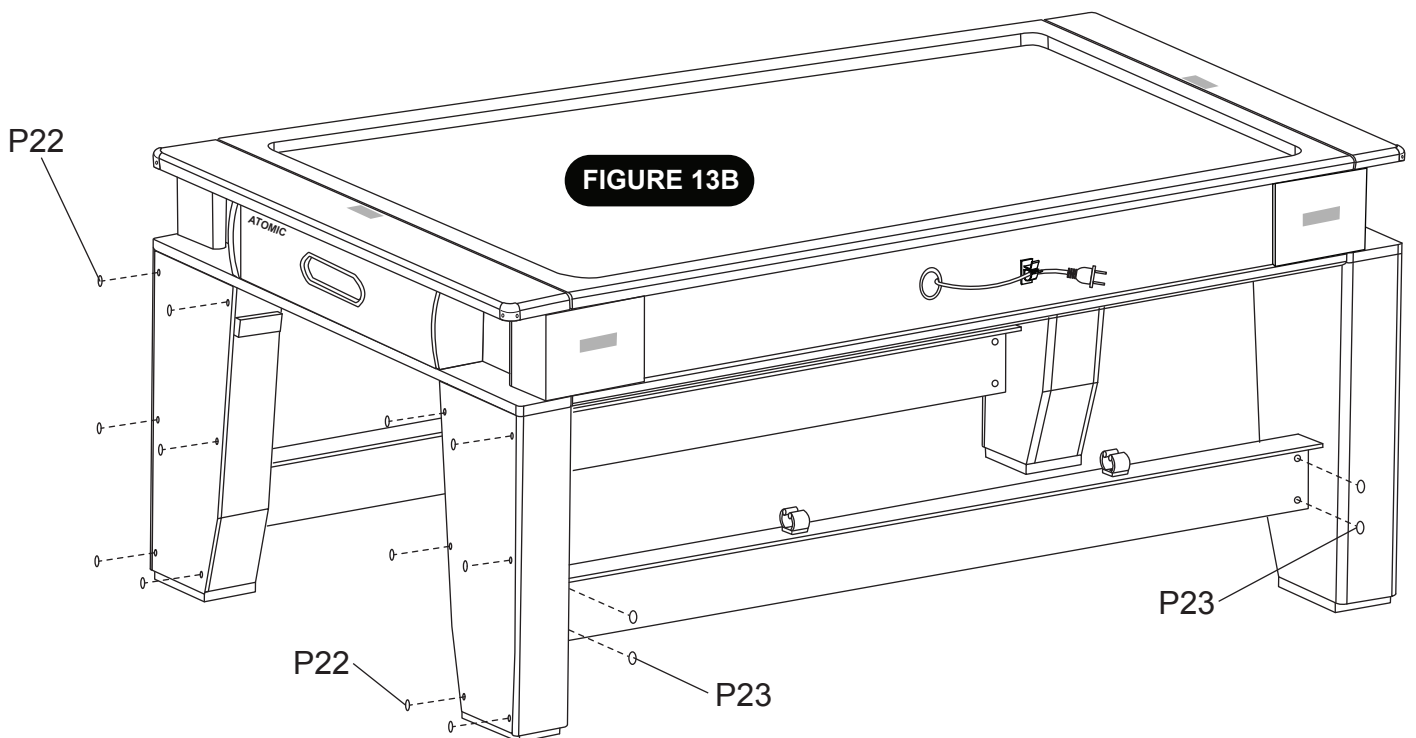
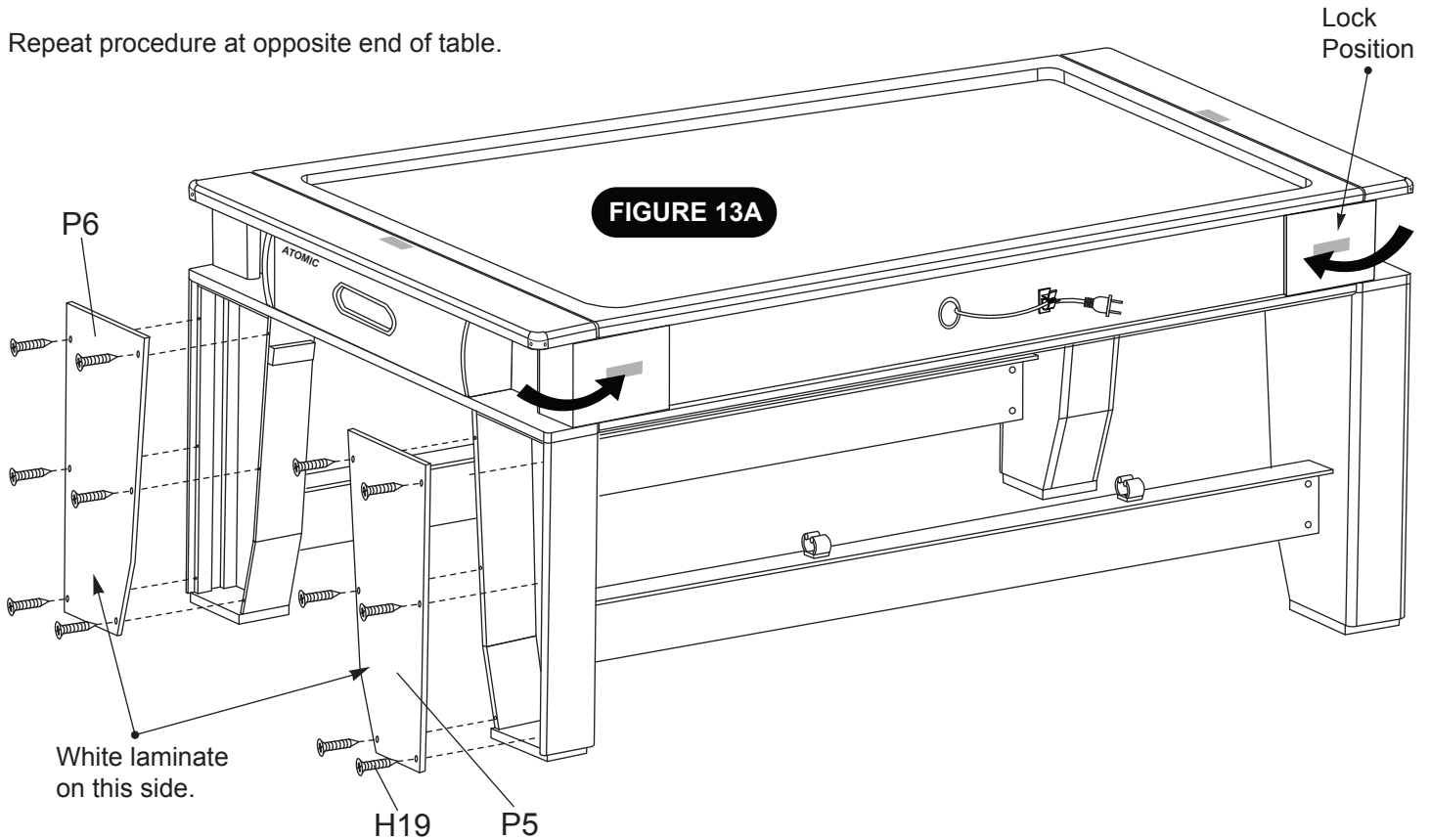
Place all L-Frame Locks into closed position to lock table as shown in **FIGURE 13A**.

Install **P5** Right Leg Panel and **P6** Left Leg Panel using **H19** Screws as shown in **FIGURE 13A**.

Stick **P22** Screw Covers to cover **H19** Screws if needed as shown in **FIGURE 13B**.

Stick **P23** Barrel Nut Covers to cover **H7** Barrel Nuts if needed as shown in **FIGURE 13B**.

Repeat procedure at opposite end of table.



## PARTS REQUIRED

8 pcs - <b>H3</b> Phillips Washer Head Screw	2 pcs - <b>P16</b> Ball Storage Tray
2 pcs - <b>H15</b> Phillips Round Head Screw	1 pc - <b>P20</b> Triangle Holder

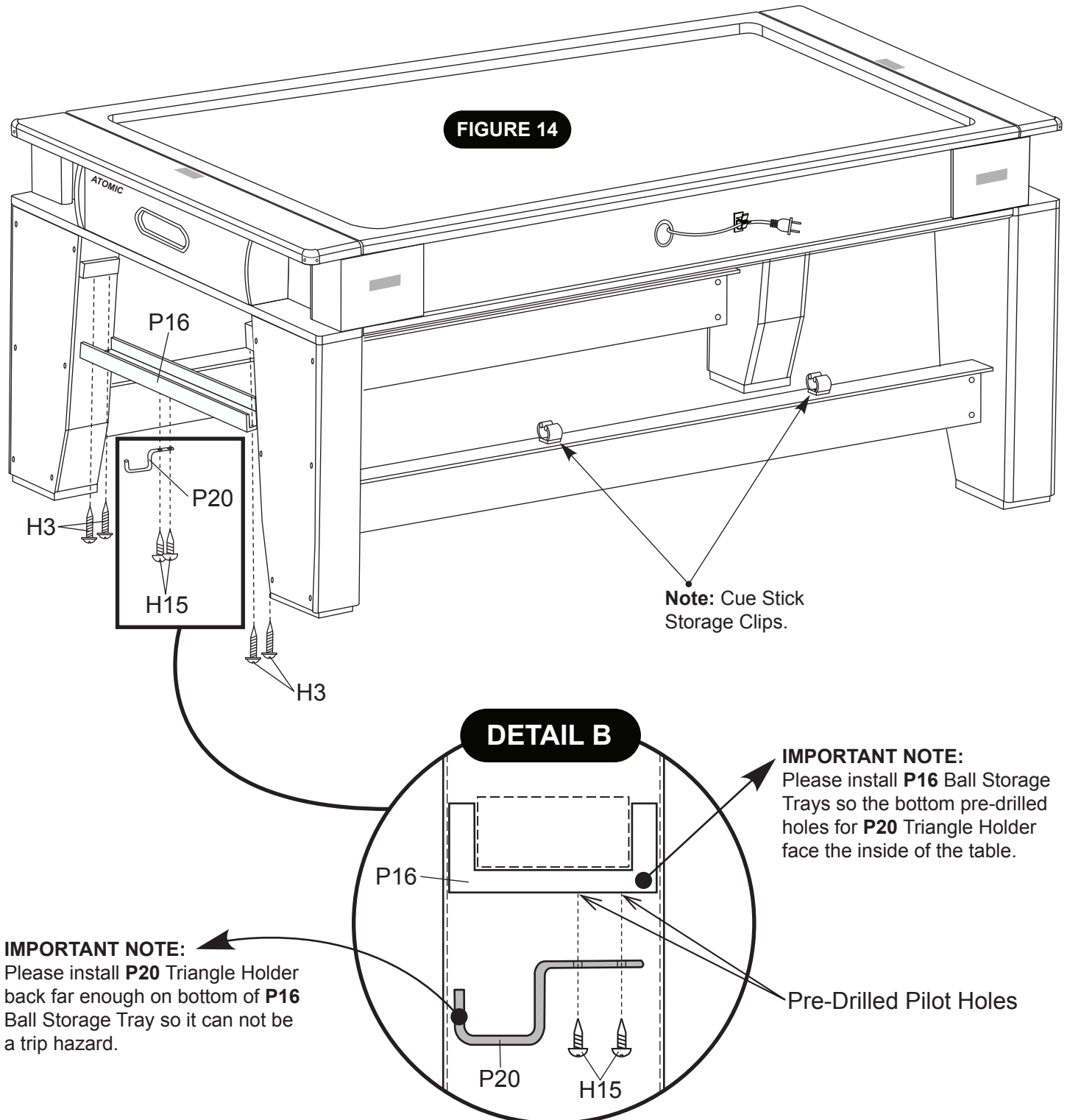
### STEP 14:

Attach **P16** Ball Storage Trays at each table end using **H3** Screws as shown in **FIGURE 14**.

**Important Note:** Please install **P16** Ball Storage Trays so the bottom pre-drilled holes for **P20** Triangle Holder face the inside of the table as shown in **DETAIL B**.

Attach one **P20** Triangle Holder on bottom side of **P16** Ball Storage Tray using pre-drilled holes with **H15** Screws as shown in **FIGURE 14** and **DETAIL B**.

**Important Note:** Be careful not to strip these screws. All **H9** Screws must be tight - but not stripped.

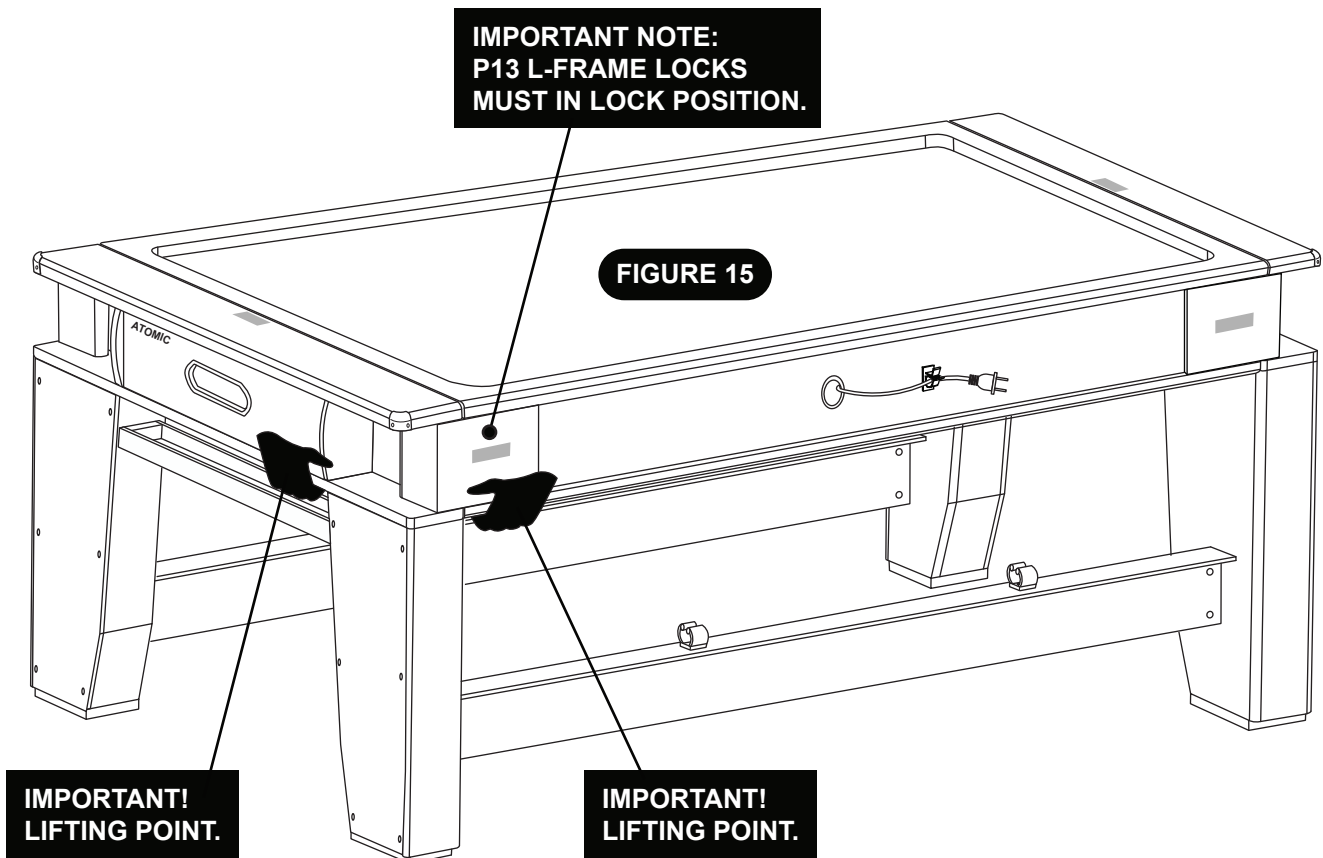


# **! WARNING: !**

## **LIFTING POINTS: FOR FINAL PLACEMENT OF FLIP TABLE**

**PLEASE MAKE SURE ALL FOUR (4) P13 L-FRAME LOCKS ARE IN LOCK POSITION , THEN FOUR (4) ADULTS LIFT THE TABLE.**

**ADULTS SHOULD LIFT TABLE BY PLACING HANDS ON EACH SIDE OF THE LEG AS SHOWN IN FIGURE 15.**



# CAUTION: ROTATING YOUR TABLE

## DO NOT ALLOW CHILDREN TO ROTATE THIS TABLE

This table should be rotated by ADULTS only. To release the table bed, open the frame locks at each corner. Be sure no one is in the way, then SLOWLY rotate the bed. After rotating the bed, close the frame locks to lock the table.

Congratulations! You have now assembled your game table. Please note the Care and Use instructions below to insure many years of trouble free use of your game table.

### CARE AND USE OF YOUR TABLE

1. Use only a suitable 120v AC household outlet, and insure the cord is not a trip hazard.
2. Spray furniture polish is recommended to both protect the hockey play field and increase the puck speed. Apply and wipe off with the air motor on. Use spray furniture polish to clean all exterior surfaces of your game table.
3. Use the table brush provided to clean the cloth on the table.
4. You may use a vacuum cleaner with the brush attachment to clean the cloth on the pool table should it become necessary.
5. This product is intended for **INDOOR** use only.
6. **DO NOT** sit, climb or lean on the table.
7. **DO NOT** drag the table when moving it. This will damage the legs.
8. **DO NOT** set drinks on the table.
9. The purchase of billiard table cover will help protect and keep your table clean while not in use.

# PRODUCT PARTS LIST FOR MODEL # G05214W

Key#	Part#	Description	Qty.
05214WJH1	H1	4 x 44 mm Phillips Flat Head Screw	20
05214WJH2	H2	4 x 38 mm Phillips Flat Head Screw	34
05214WJH3	H3	3.5 x 32 mm Phillips Washer Head Screw	8
05214WJH4	H4	8 x 28 mm Hex Head Bolt	8
05214WJH5	H5	8 x 19 mm Flat Washer	28
05214WJH6	H6	6 x 63 mm Hex Head Bolt	8
05214WJH7	H7	Barrel Nut	8
05214WJH8	H8	8 x 200 mm Hex Head Bolt	4
05214WJH9	H9	4 x 25 mm Phillips Flat Head Screw	6
05214WJH10	H10	Male Pivot Assembly	2
05214WJH11	H11	M10 Acorn Nut	2
05214WJH12	H12	M10 x 25 mm Flat Washer	4
05214WJH13	H13	M10 Hex Nut	2
05214WJH14	H14	Leg Leveler	4
05214WJH15	H15	4 x 12 mm Phillips Round Head Screw	2
05214WJH16	H16	3 x 16 mm Phillips Washer Head Screw	14
05214WJH17	H17	4 x 50 mm Phillips Flat Head Screw	12
05214WJH18	H18	4 x 44 mm Phillips Washer Head Screw	4
05214WJH19	H19	4 x 44 mm Phillips Flat Head Screw	24
05214WJH20	H20	3 x 15 mm Phillips Flat Head Screw	4
05214WJT1	T1	Wrench	1
05214WJP1	P1	Pool Table (Red Cloth)	1
05214WJP2	P2	Hockey Table (No Blower Motor)	1
05214WJP3	P3	Right Leg	2
05214WJP4	P4	Left Leg	2
05214WJP5	P5	Right Leg Panel	2
05214WJP6	P6	Left Leg Panel	2
05214WJP7	P7	Goal Box Support Frame with Curved	4
05214WJP8	P8	Goal Box Support Frame	4
05214WJP9	P9	End Frame Panel	2
05214WJP10	P10	Goal Box Panel	2
05214WJP11	P11	Frame Bottom Board	2
05214WJP12	P12	End Top Rail with Corner Caps Attached	2
05214WJP13	P13	L-Frame Lock	4
05214WJP14	P14	Leg Connecting Panel	2
05214WJP15	P15	Leg Panel Stiffener	2
05214WJP16	P16	Ball Storage Tray	2
05214WJP17	P17	Outer Apron <b>with</b> Cord Hole	1
05214WJP18	P18	Outer Apron <b>without</b> Cord Hole	1
05214WJP19S	P19S	Small Cue Clip	2
05214WJP19L	P19L	Large Cue Clip	2
05214WJP20	P20	Triangle Holder	1
05214WJP21	P21	Round Plastic for Cord Hole	1
05214WJP22	P22	Screw Covers	24
05214WJP23	P23	Barrel Nut Covers	8
05214WJP24	P24	Cord Holder	1
05214WJP25	P25	Female Pivot Bushing	2
05214WJA1	A1	Pool Ball Set	1
05214WJA2	A2	Pool Cloth Brush	1
05214WJA3	A3	Plastic Triangle	1
05214WJA4	A4	Cue Chalk	2
05214WJA5	A5	Cue Stick	2
05214WJA6	A6	Red Striker	2
05214WJA7	A7	Red Puck	2
05214WJA8	A8	Striker Felt Pad	2
05214WJC1	C1	Blower Motor	1
05214WJK1	K1	Hardware Kit	1
05214WJM1	M1	Owner's Manual	1



## 90 DAY LIMITED WARRANTY

This consumer warranty extends to the original consumer purchase of any ESCALADESPORTS Product (hereinafter referred as the "Product").

**WARRANTY DURATION:** This Product is warranted to the original consumer purchase of a period of 90 days from the original purchase.

**WARRANTY COVERAGE:** ESCALADE SPORTS warrants to the original Consumer Purchaser that any Product of its manufacture is free from defects in material and workmanship when used for the intended purpose under normal use and conditions. THIS WARRANTY IS VOID IF THE PRODUCT HAS BEEN DAMAGED BY ACCIDENT, UNREASONABLE USE, NEGLIGENCE, IMPROPER SERVICE, FAILURE TO FOLLOW INSTRUCTIONS PROVIDED WITH THE PRODUCT OR OTHER CAUSES NOT ARISING OUT OF DEFECTS IN MATERIAL AND WORKMANSHIP.

**WARRANTY PERFORMANCE:** During the above 90 day warranty period, ESCALADESPORTS shall repair or replace with a comparable model, and Product, or component thereof, which may prove defective under normal use and proper care, and which our examination shall disclose to our satisfaction to be thus defective, please contact our Warranty Dept.

1-888-996-2729 / Warranty Dept.

Or Write us at:

Escalade® Sports, Inc. - P.O. Box 889, Evansville, IN 47706

Attn: Warranty Dept.

Or E-mail us at:

gameroom@escaladesports.com

Other than shipping requirements no charge will be made for such repair or replacement of in-warranty Products. ESCALADE SPORTS strongly recommends that the Product is insured for value prior to mailing.

**WARRANTY DISCLAIMERS:** ANY IMPLIED WARRANTIES ARISING OUT OF THIS SALE, INCLUDING BUT NOT LIMITED TO THE IMPLIED WARRANTIES OF MERCHANTABILITY AND FITNESS FOR A PARTICULAR PURPOSE, ARE LIMITED IN DURATION TO THE ABOVE 90 DAY PERIOD. ESCALADE SPORTS SHALL NOT BE LIABLE FOR LOSS OF USE OF THE PRODUCT OR OTHER CONSEQUENTIAL OR INCIDENTAL COSTS, EXPENSES OR DAMAGES INCURRED BY THE CONSUMER OF ANY OTHER USE.

Some states do not allow the exclusion or limitation of implied warranties or consequential or incidental damages, so the above limitations or exclusions may not apply to you.

**LEGAL REMEDIES:** This warranty gives you specific legal rights and you may also have other rights which may vary from state to state.