

## RollPlay 6V Mini Quad

# Owner's Manual and Assembly Instructions

Model #: ACQUAD-P, ACQUAD-CAM, ACQUAD

Read and understand the entire manual before assembly and operation. The vehicle must be assembled by an adult who has read and understands the instructions.

Made in China.

Styles and colors may vary. Do not return to store. Visit us online at [www.rollplay.net](http://www.rollplay.net) for assistance and replacement parts.

# Introduction

Thank you for purchasing this RollPlay vehicle from Rollplay. We hope the rider enjoys it for miles to come. Please read this instruction guide carefully before assembling and operating the vehicle. Please have your model number and serial number ready before calling. Please have proof of purchase. Keep your sales receipt or register your product at [www.rollplay.net](http://www.rollplay.net).

Please contact Rollplay Customer Service with any questions.

Hours: 9 AM - 5 PM (CST), Monday - Friday

Web: [www.rollplay.net](http://www.rollplay.net)

Email: [customerservice@rollplay.net](mailto:customerservice@rollplay.net)

Phone: 1-888-982-9309

## Specifications:

BATTERY	6V 4AH
MOTOR	6V 15W
AGE	18-36 Months
MAX WEIGHT	20.4 kg (45 lbs)
PRODUCT SIZE	68.5 x 43 x 48 cm (26.97 x 16.93 x 18.9 in.)
SPEED	2 - 3.2 km/h (1.25 - 2 MPH)
RECHARGE TIME	8-12 Hours
TYPICAL RUN TIME	1-2 Hours
CHARGER OUTPUT	DC 7.0V

# IMPORTANT!

**YOU MUST CHARGE THE BATTERY FOR 24 HOURS BEFORE FIRST USE!**

Charge the battery after each use.

Charge the battery at least once a month, even if the vehicle is not in use.

**DO NOT RETURN THIS ITEM TO THE STORE!**

Call Customer Service if you need assistance or replacement parts. Please have your model number and serial number ready before calling. Please have proof of purchase. Keep your sales receipt or register your product at [www.rollplay.net](http://www.rollplay.net) as we may require proof of purchase.

[customerservice@rollplay.net](mailto:customerservice@rollplay.net)

1-888-982-9309

**Read this entire manual to ensure proper assembly and safe operation of the vehicle.**



# Table of Contents 5

Safety .....	6
Parts .....	8
Charging Instructions .....	9
Assemble the Wheels .....	10
Attach the Handlebar .....	11
Assemble the Front Bumper .....	12
Attach the Seat.....	13
Operating Instructions.....	14
Maintenance.....	15
General Care .....	16
Troubleshooting Guide .....	17
FCC Information .....	19
Service and Repairs .....	20
Warranty .....	21
Product Registration .....	23



## **WARNING: SAFETY RIDING RULES**

The user must follow all safety rules and guidelines, or serious injury or death may occur to the user.

Always use common sense and safe practices when using the vehicle. The user must be at least 18 months old and weigh no more than 20.4 kg (45 lbs).

This product contains small parts that are for adult assembly only. Keep small children away when assembling. Remove and dispose of all protective material and plastic bags before assembly.

Riders must always wear a fitted helmet that complies with U.S. Consumer Product Safety Commission (CPSC) Standard 16 CFR 1203.

Only sit on the seat in the vehicle.

Do not allow more than one rider.

Do not overload the vehicle. Do not remove the weight restriction decals.

Do not pull the vehicle with another vehicle or similar device.

Keep body parts such as hands, legs, hair and clothing away from moving parts. Moving parts can cause serious injury.

Always wear shoes in the vehicle.

Do not operate near streets or motor vehicles.

Do not operate near drop-offs such as steps, steep inclines or hills. Operate on relatively level ground.

Do not operate near water, swimming pools or other fluids.

Do not operate in dangerous weather conditions such as rain or snow.

Do not operate near loose dirt, mud, sand or fine gravel.

Do not operate near flammable vapors (gasoline, paint thinner, acetone, etc.).

Always use the vehicle in a safe, secure environment with adult supervision.

### **PREVENT INJURIES AND DEATHS:**

**NEVER LEAVE CHILD UNATTENDED. ALWAYS** keep child in view when child is in vehicle. Direct adult supervision is **REQUIRED**.

**NEVER** use in roadways, near cars, on or near steep inclines or steps, swimming pools or other bodies of water.

**ALWAYS** wear shoes

**ALWAYS** sit on the seat

**RISK OF FIRE.** Do not bypass.



## WARNING: BATTERY SAFETY

- Battery posts, terminals and related accessories contain lead and lead compound (acid) chemicals known to the state of California to cause cancer, reproductive harm, and are toxic and corrosive. DO NOT open the battery.



- Contact exposure to battery leakage (lead acid) may cause serious injury. Immediately contact your doctor if exposure occurs. If the chemical is on the skin, flush immediately with cool water for 15 minutes. If the chemical is swallowed immediately give the person water or milk. Do not give water or milk if the person is vomiting or has decreased alertness. Do not induce vomiting.



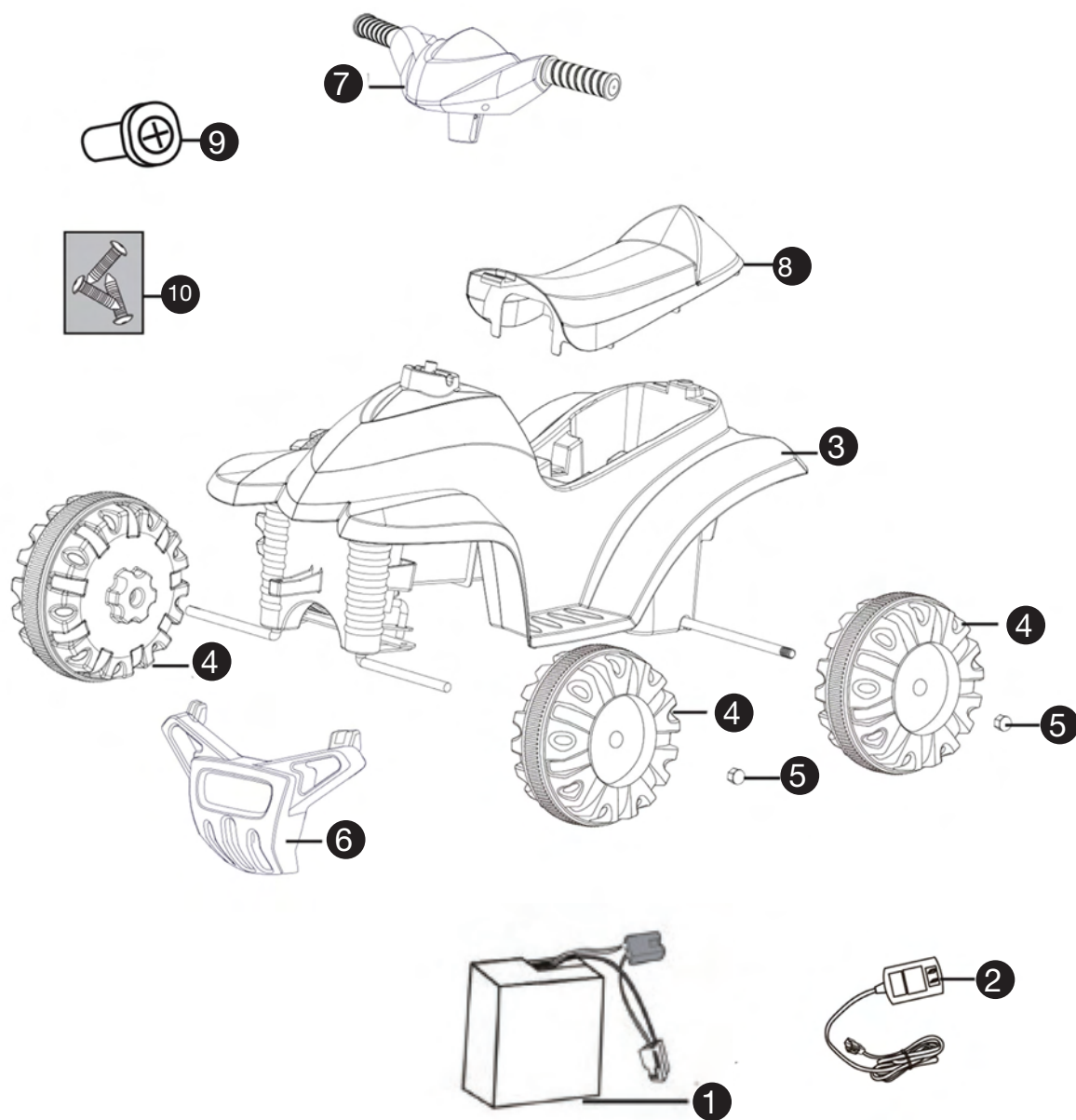
- Tampering with or modifying the electric circuit system may cause shock, fire or explosion. It could permanently damage the system. Keep the charger housing closed to prevent exposed wiring, which may cause electric shock.
- IMPORTANT: Before using the vehicle for the first time, the battery must be charged for a full 24 hours (no more than 30 hours).



## WARNING: ADULT SUPERVISION REQUIRED

- Before using the vehicle, the rider must understand the vehicle controls and safety issues.
- It is the responsibility of the adult to educate the child and to determine if the child is capable of understanding the vehicle controls.
- An adult must ALWAYS directly supervise the use of this vehicle.
- NEVER leave a child unsupervised in the vehicle.

# 8 Parts



1. Battery
2. Charger
3. Quad Body
4. Wheels (4)
5. Hex Nuts (Installed on wheel axles)
6. Front Bumper
7. Handlebar
8. Seat
9. Screw Wrench
10. Hardware Bag

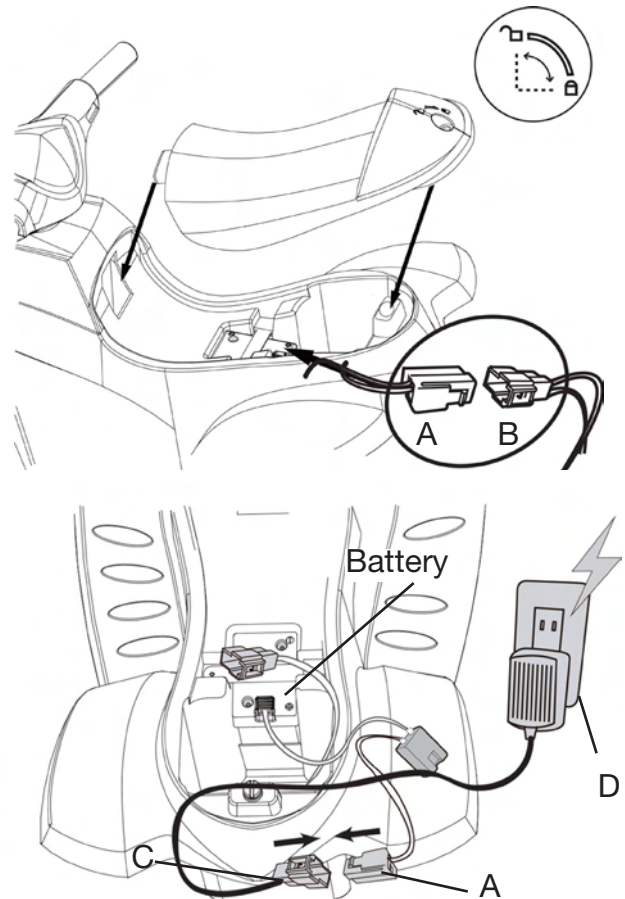


## YOU MUST CHARGE THE BATTERY FOR 24 HOURS BEFORE THE FIRST USE!

**ONLY AN ADULT SHOULD HANDLE THE BATTERY AND CHARGER.**

### To Charge the Battery:

1. Ensure the quad is stopped and turned off.
2. Unlock and remove the seat.
3. Unplug the red battery connector (A) from the red engine connector (B).
4. Connect the red battery connector (A) to the red battery charger connector (C) and plug (D) into a 120 V outlet.

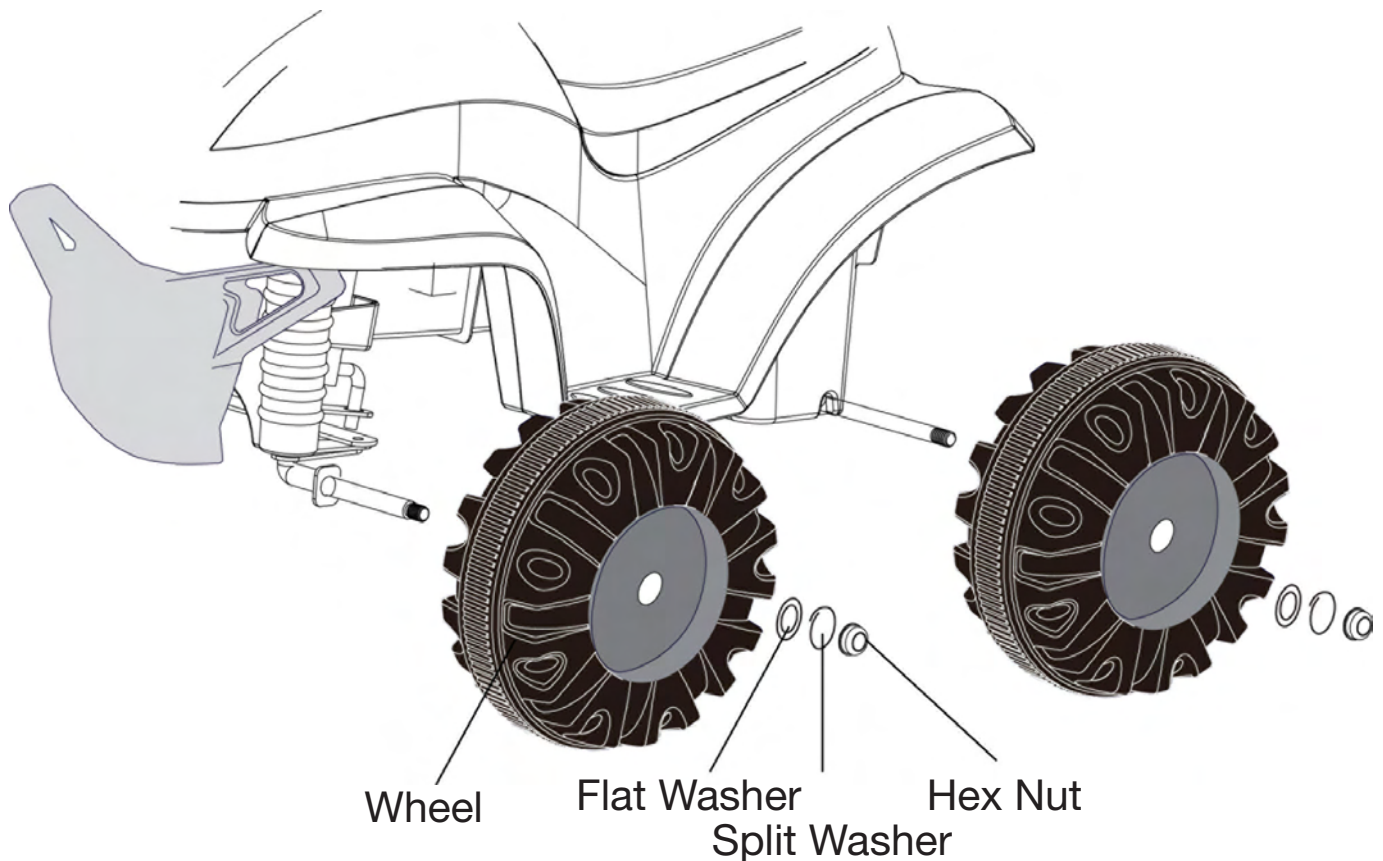


### To Unplug the Battery:

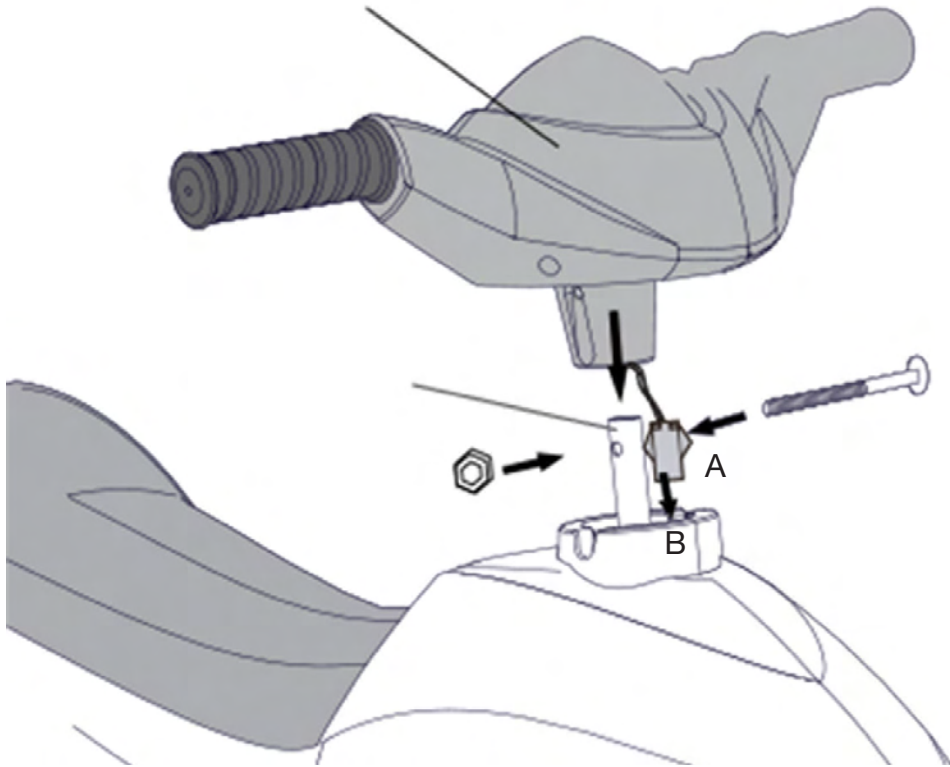
1. Unplug the battery charger (D) from the outlet.
2. Unplug the red battery connector (A).
3. Reconnect the red battery connector (A) to the red engine connector (B).
4. Replace the seat and tighten lock.

Note: It is not necessary to remove the battery for charging. However, if the battery does not reach the outlet, it can be removed for charging. Use a screwdriver to release the battery clamp and disconnect the red battery connector from the red engine connector to remove the battery.

# 10 Wheel Assembly

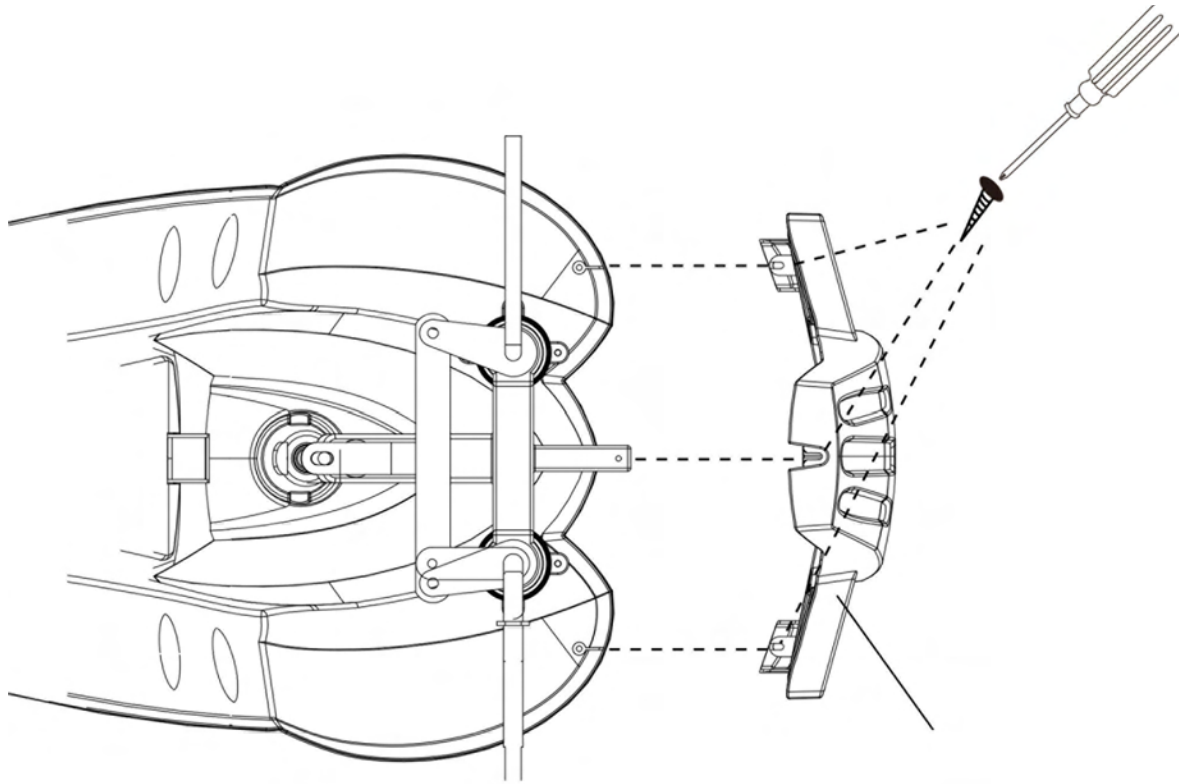


1. Remove the hex nut, split washer and small, flat washer from each axle. The large, flat washer stays on the axle.
2. Slide the wheel (4) onto the axle.
3. Slide small, flat washer onto the axle.
4. Slide the split washer onto the axle.
5. Slide the hex nut onto the assembled wheel and tighten in place with a wrench.
6. Repeat steps 1-5 for the remaining wheels.

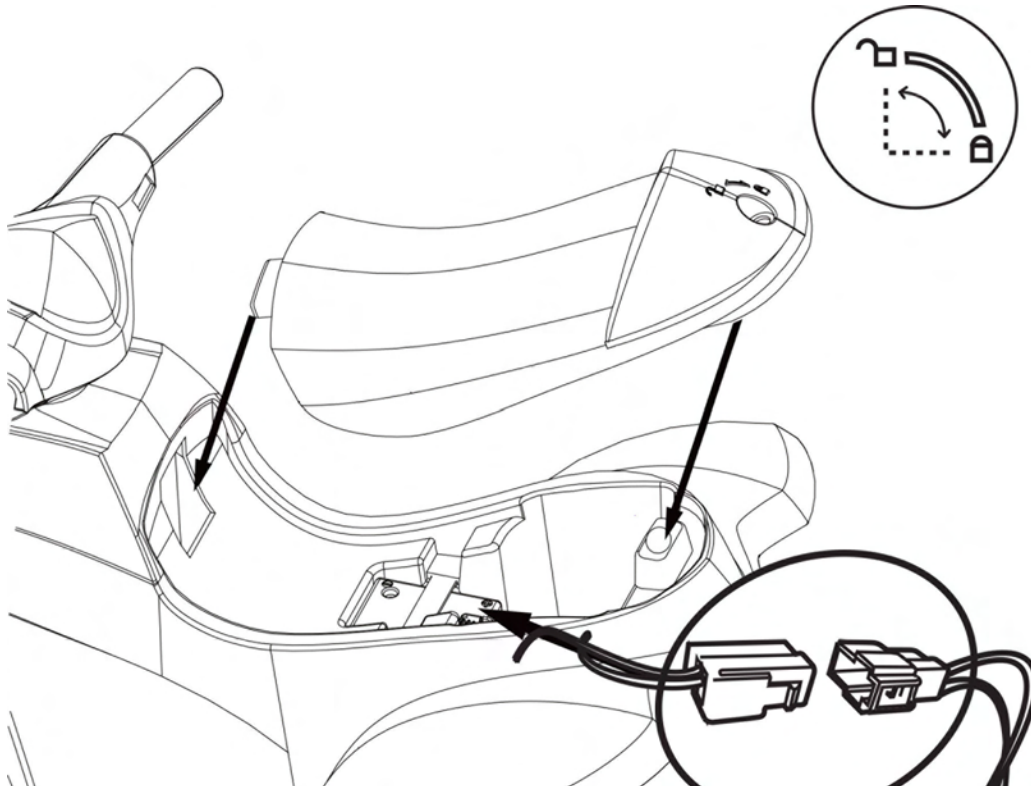


1. Remove the screw and nut from the handlebar assembly (7) before attaching.
2. Plug the handlebar connector (A) into the dashboard connector (B).
3. Slide the handle bar (7) onto the steering rod, and align the screw holes on the handlebar with the holes on the steering rod.
4. Insert the screw into the hole and fasten the nut to secure.

## 12 Assemble the Front Bumper

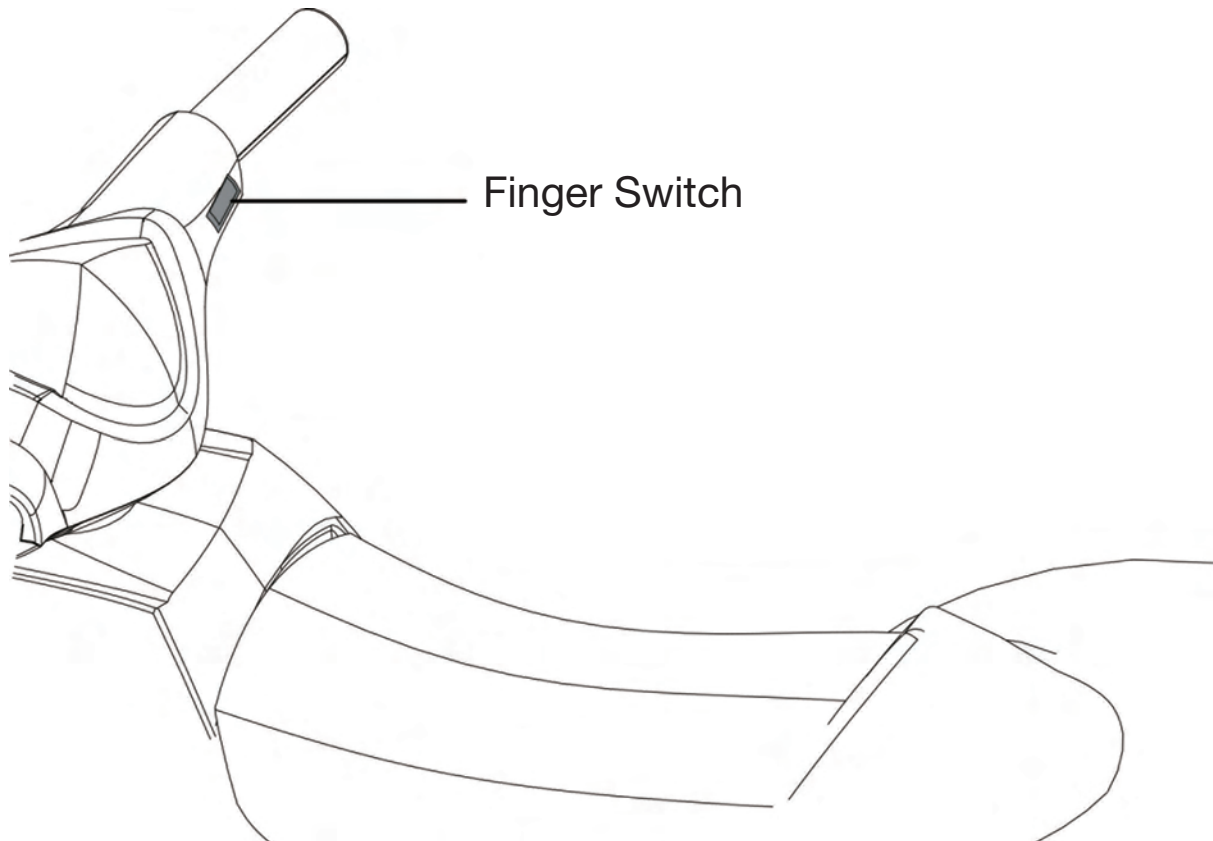


1. Flip the quad onto its back
2. Slide the square hole on the back of the front bumper (6) onto the front post protruding from the quad
3. Align the three screw holes on the bumper with the three screw holes on the quad.
4. Remove the three screws from the hardware bag (10).
5. Using a screwdriver, tighten the screws to secure.



1. Ensure the red battery connector is connected to the red engine connector before attaching the seat
2. Position the seat (8) over the battery compartment
3. Turn the lock at the end of the seat to the open position and align the lock with the lock hole on the back of the battery compartment
4. Slide the notch on the front of the seat into the hole on the front of the battery compartment
5. Turn the lock to the close position

# 14 Operation



- The rider should be sitting comfortably on the quad
- Push the finger switch on the handlebar to go forward
- Release the button to stop the quad
- The quad drives 2 MPH in a forward movement only
- Use the handlebar to turn the quad to the left and the right

## Important Battery and Charger Information

- Only an adult who has read and understands the safety warnings may handle and operate the battery and battery charger. Keep away from children.
- Charge the battery for 24 hours before using the vehicle for the first time.
- Charge the battery immediately after each use. Charge for at least 8-12 hours, but no more than 20 hours.
- Charge the battery at least once a month, even if the vehicle is not used or stored.
- Never leave the battery in a discharged condition.
- Connect the terminal of the battery and charger, then plug the charger into a 120V AC outlet.
- It is normal for the charger to heat slightly. If the charger rises above 71°C / 160°F, disconnect the charger and call Customer Service for assistance.
- Keep the charger away from water or excessive moisture to prevent short-circuiting.
- Only use the charger specified with the original item. **Do not charge the battery with any other charger.**
- Do not attempt to recharge non-rechargeable batteries with the original charger.
- **Do not replace the battery with any other battery, or the warranty will be voided.** If you need a replacement battery, see Page 20 for replacement information.
- Remove damaged batteries from the quad immediately. Recycle or dispose of the used batteries responsibly.
- Do not short circuit the supply terminals.
- Do not leave the battery connected in the vehicle for extended periods of time when the vehicle is not being used. Disconnect the battery connector from the engine connector before storing.
- The vehicle is equipped with a thermal fuse to protect the electric circuit. If the vehicle cuts out, turn the vehicle off and on to reset.

## 16 **General Care**

- Regularly inspect all vehicle parts to ensure they are in good working condition.
- Regularly inspect the charger, cord, plug, and other related parts for damage.
- Remove any damaged parts and immediately contact Customer Service for replacement parts. See Service and Repairs on Page 20 for more information.
- DO NOT operate the vehicle if there are any damaged parts.
- Carefully clean the vehicle with a damp cloth and mild soap. Do not get water in or near any electrical parts. Do not wash the vehicle with a hose.
- Store the vehicle indoors or use a tarp to cover it. Keep away from stoves, heaters, or other sources of heat.



# Troubleshooting Guide 17

Completely read through the manual and troubleshooting guide before contacting Customer Service.

Problem	Potential Cause	Solution
Vehicle does not run	Battery is low	Recharge the battery
	Thermal fuse tripped	Reset fuse
	Snap pins are loose	Tighten snap pins
	Loose wires or loose connectors	Ensure the battery connectors are securely attached. If wires are loose, contact Customer Service for repairs
	Battery is dead	Call Customer Service for replacement battery
	Electrical system is damaged	Call Customer Service for repairs
	Motor is damaged	Call Customer Service for repairs
Vehicle only runs for a short time	Undercharged battery	Ensure a secure connection when the battery is recharging. Recharge for at least 8-12 hours
	Overcharged battery	Never charge the battery for more than 30 hours
	Battery is old	Replace battery
Vehicle runs slowly	Battery is not fully charged	Ensure a secure connection when the battery is recharging
	Battery is old	Call Customer Service to order replacement battery
	Too much weight on vehicle	Reduce weight on vehicle (45 lbs max)
	Harsh conditions	Operate the vehicle on level ground and safe surfaces

Problem	Potential Cause	Solution
Vehicle needs a push to start	Loose wires or loose connectors	Ensure the battery connectors are securely attached. If wires are loose, contact Customer Service for repairs
	“Dead spot” on motor	A “dead spot” means electricity is not being delivered to the terminal. Contact Customer Service for repairs
Cannot stop the quad	Electronic part destroyed	Contact Customer Service for repairs
Motor or gear box making grinding noises	Motor or gear damage	Contact Customer Service for repairs
Battery will not recharge	Charger is not plugged in	Plug in the charger to a functional wall outlet
	Charger is not working	Call Customer Service for a replacement
	Loose connector or loose adapter	Check that the connectors are securely plugged in to each other
Battery makes bubbling noise while recharging	This is normal	No action required
Battery produces noise and heat when charging	This is normal	No action required

This device complies with part 15 of the FCC Rules. Operation is subject to the following two conditions: (1) this device may not cause harmful interference, and (2) this device must accept any interference received, including interference that may cause undesired operation.

This equipment has been tested and found to comply with the limits for a Class B digital device, pursuant to Part 15 of the FCC Rules. These limits are designed to provide reasonable protection against harmful interference in a residential installation.

This equipment generates, uses and can radiate radio frequency energy and, if not installed and used in accordance with the instructions, may cause harmful interference to radio communications. However, there is no guarantee that interference will not occur in a particular installation. If this equipment does cause harmful interference to radio or television reception, which can be determined by turning the equipment off and on, the user is encouraged to try to correct the interference by one or more of the following measures:

- Reorient or relocate the receiving antenna.
- Increase the distance between the equipment and the receiver.
- Consult dealer or an experienced radio/TV technician for help.
- Connect the equipment into an outlet on a circuit different from that to which the receiver is connected.
- Check the state or local requirements for the product before using the product.

Caution: Changes or modifications not expressly approved by the party responsible for compliance could void the user's authority to operate the equipment.

**Do not return this vehicle to the store.**

If your product requires service, repairs or replacement parts, please visit us online at [www.rollplay.net](http://www.rollplay.net)

Or contact us at:

Phone: 1-888-982-9309

Email: [customerservice@rollplay.net](mailto:customerservice@rollplay.net)

Web: [www.rollplay.net](http://www.rollplay.net)

Hours: 9 AM - 5 PM (CST), Monday - Friday

For a list of available replacement parts, please visit [www.rollplay.net](http://www.rollplay.net).

## Rollplay 6-Volt Limited Warranty

- One-year limited warranty from the date of purchase with proof of purchase from an Rollplay certified retailer.
- Six month limited warranty on the 6-Volt battery with proof of purchase from an Rollplay certified retailer.
- This one-year limited warranty covers the ride-on vehicle against defects in materials and workmanship to the original purchaser. **Proof of purchase receipt from an Rollplay certified reseller is required.**
- Rollplay ensures the original 6-Volt battery is warranted for 6 months from initial purchase of the vehicle from a certified retailer. Proof of purchase receipt required.
- This warranty covers normal use and does not cover the Rollplay vehicle or battery if deemed damaged by unreasonable use, modification, neglect, accident, abuse, misuse, improper service or other causes not arising out of defects in materials or workmanship. Evidence of any attempt at consumer repair will void this warranty.
- This warranty does not cover, and is not intended to exclude any liability on the part of Rollplay, whether under this warranty or implied by law for any indirect or consequential damages for breach of warranty. Some states may not allow the exclusion or limitation so this limitation may not apply to you.

Should you need service or assistance with your vehicle during the warranty period:

- Please do not return vehicle to the store.
  - Consult the troubleshooting guide in this manual and online at [www.rollplay.net](http://www.rollplay.net)
- or
- Call Rollplay Customer Service at 1-888-982-9309

Note: This warranty gives you specific legal rights. You may also have other rights that may vary from state to state.

**Please save your original sales receipt.**



# Product Registration 23

Fill out the form below and mail it to:

Rollplay  
1131 W. Blackhawk St.  
Second Floor  
Chicago, IL 60642

OR fill out the form online at [www.rollplay.net](http://www.rollplay.net).

We will use the information provided only for your warranty. We will not sell, rent or share your personal information.



## Product Registration

First Name: \_\_\_\_\_ Last Name: \_\_\_\_\_ Title: \_\_\_\_\_

Address: \_\_\_\_\_

City: \_\_\_\_\_ State: \_\_\_\_\_ Zip Code: \_\_\_\_\_

Email: \_\_\_\_\_ Phone: \_\_\_\_\_

Date of Purchase: \_\_\_\_\_

The following product information is on the cover of the owner's manual.

Product Name: \_\_\_\_\_ Model Number: \_\_\_\_\_

Serial Number: \_\_\_\_\_ Place of Purchase: \_\_\_\_\_

Questions or comments? Contact us at [www.rollplay.net](http://www.rollplay.net) or 1-888-982-9309





