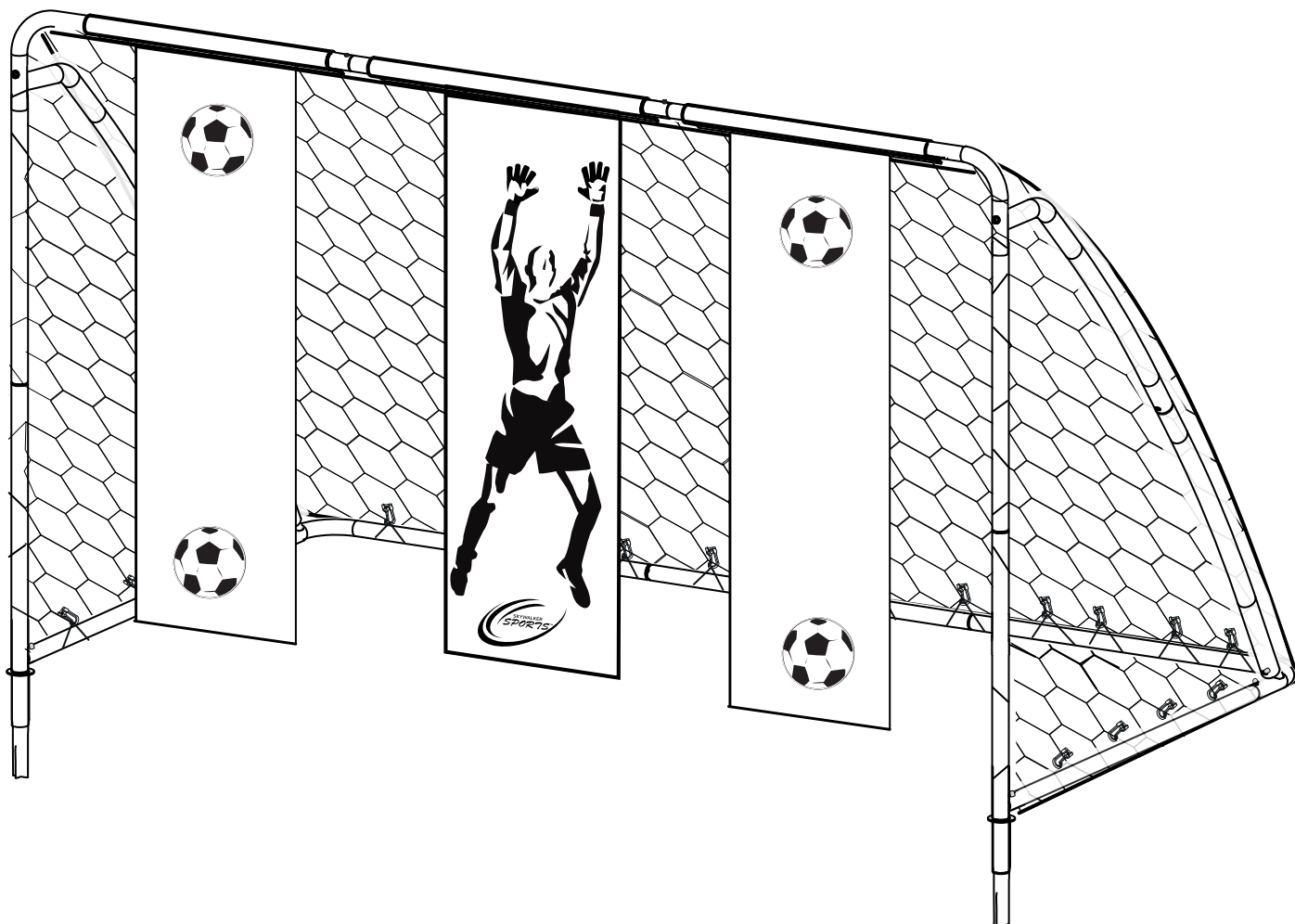


# Assembly, Maintenance and User Manual

Skywalker Sports Soccer Goal Model # SSFG12



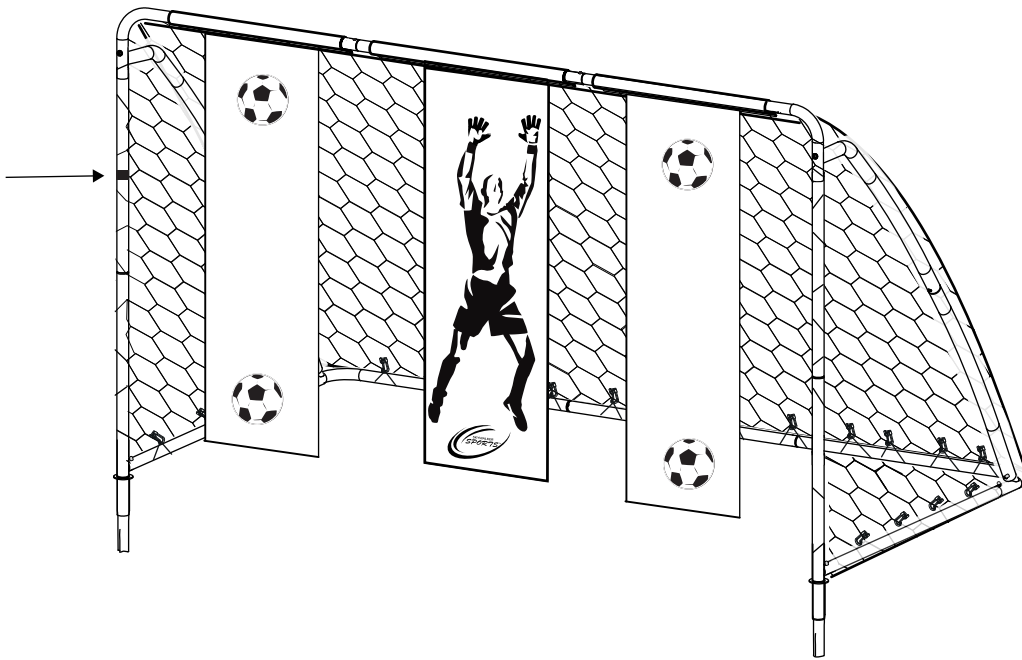
## WARNING

Read all precautions and instructions in this manual before using this equipment. Save this manual for future reference.



**Skywalker Holdings LLC**  
PO Box 574, Brigham City, UT 84302

Model # ID label is located on the left pole of the soccer goal.



## CONTENTS

Before you Begin .....	3
Installation .....	3
Part Identification Chart.....	4
Exploded Drawing .....	5
Part List .....	6
Assembly .....	7-13
Maintenance Information .....	14
Limited Warranty .....	16

## REPLACEMENT PARTS or QUESTIONS

If you have questions after reading this manual, please call our toll-free Customer Care Hot Line. Our trained technicians will provide immediate assistance.

Customer Care Hot Line: 1-866-603-5867  
Monday --- Friday, 8:00 am ---- 5 p.m. Mountain Time

### **⚠ WARNING**

Read the assembly, installation, care, maintenance, and use instructions in this manual prior to assembling and using this equipment. Save this manual for future reference.

### **⚠ WARNING**

Falling hazard. Do not climb. This product must be anchored. Unsecured goal can fall over causing serious injury or death.

# BEFORE YOU BEGIN

Thank you for selecting a Skywalker Holdings Soccer Goal. With proper care and maintenance, this Soccer Goal will provide many years of backyard fun. Your Soccer Goal comes equipped with warnings and instructions for the assembly, care, maintenance, and use. This information must be read by all in charge of safety and communicated to or read by all users before any person is allowed to use the Soccer Goal.

If you have any questions after reading this manual, please call our toll-free Customer Care line at 1-866-603-5867, Monday through Friday, 8 a.m. until 5 p.m. Mountain Time (excluding holidays)

# INSTALLATION

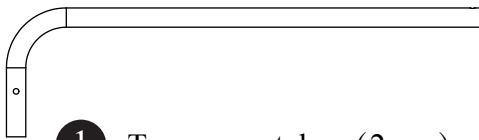
**WARNING!** To reduce the risk of serious injury, read all important precautions and instructions in this manual and all warnings on the Soccer Goal before assembly and use of this product.

1. It is the responsibility of the owner and supervisors of this Soccer Goal to make sure all users obey the safety instructions printed in this material.
2. This product is intended for use by children ages 6 and up.
3. Use the Soccer Goal only as described in this manual.
4. Always use the soccer goal under adult supervision.
5. It is recommended that the soccer goal be anchored to the ground. Be certain that all anchoring devices are placed below the level of the playing surface or below ground to prevent tripping.
6. Do not allow children to use the equipment until properly assembled and anchored.
7. Always inspect the Soccer Goal before it is used and replace any worn, defective, or missing parts.
8. Be sure the soccer goal is placed on a level surface, not less than 9ft (3m) from any structure or obstruction such as a fence, garage, house, overhanging branches, laundry lines, or electrical wires.
9. Do not allow children to climb on or hang from the soccer goal. A serious injury could result from a fall if children are allowed to climb onto the goal.

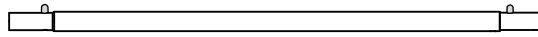
# PART IDENTIFICATION CHART

Model No. SSFG12

Before beginning assembly, refer to the drawings below to identify all the parts used in assembly. The number in the circle by each drawing, is the key number of the part, from the PART LIST on page 6.



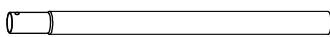
1 Top corner tube (2 pcs)



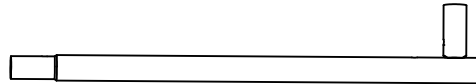
2 Cross bar (2 pcs)



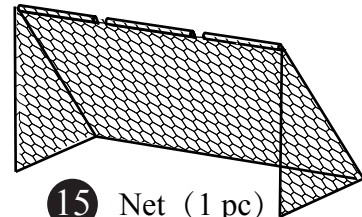
14 Arc Washer (2 pcs)



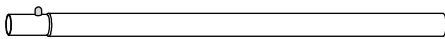
3 Front side post (short) (2 pcs)



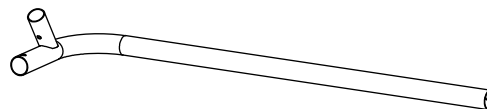
4 Front bottom corner (2 pcs)



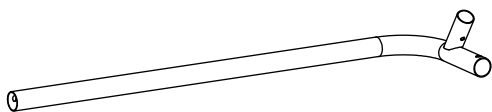
15 Net (1 pc)



5 Bottom cross bar (long) (4 pcs)



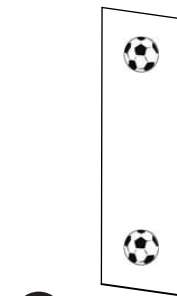
6 Back bottom left corner (1 pc)



7 Back bottom right corner (1 pc)



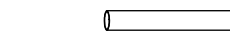
8 Back top bent tube (2 pcs)



16 Soccer Banners (2 pcs)



9 Back side post (2 pcs)



10 Anchor tube (2 pcs)



11 Ground stake (2 pcs)



12 Bolt (2 pcs)



13 Washer (2 pcs)



17A Middle Banner Soccer (1 pc)

17B Middle Banner Football (1 pc)



18 Clip (28 pcs)



20 Sandbag weight (small) (2 pcs)

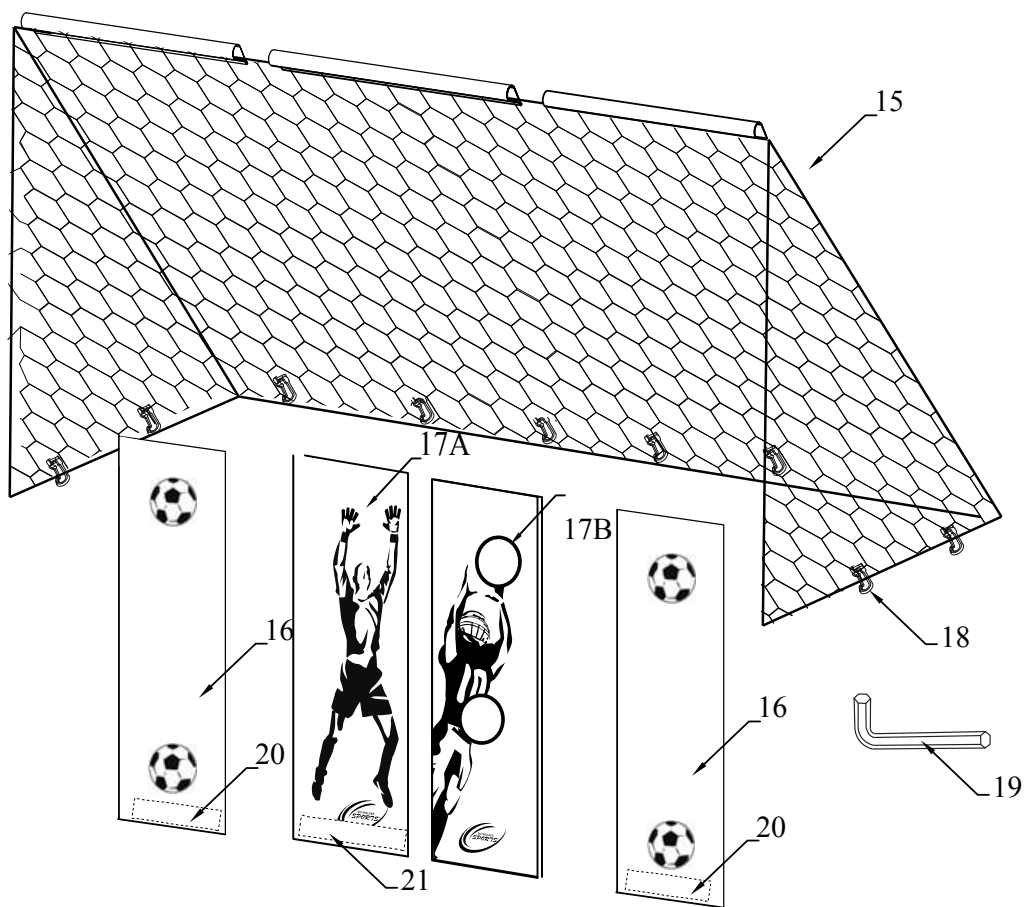
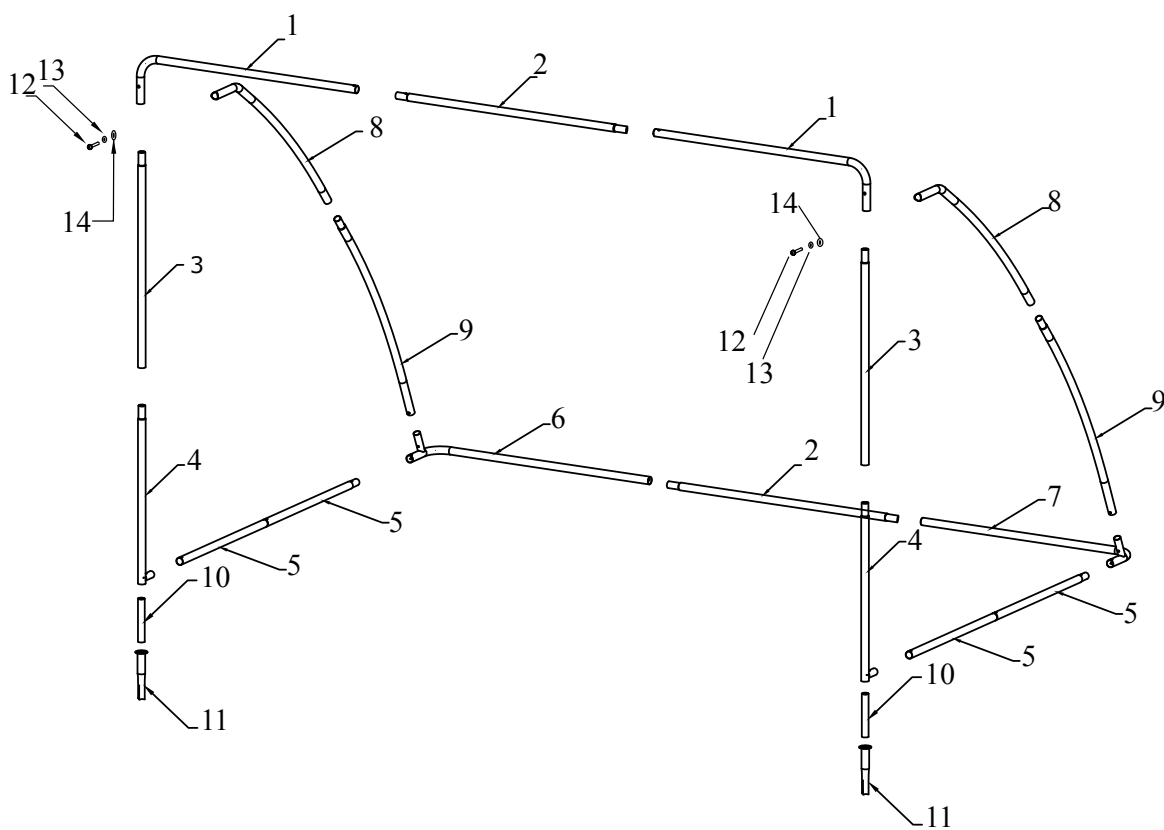


19 Wrench (1 pc)



21 Sandbag weight (large) (1 pc)

# EXPLODED DRAWING - MODEL NO. SSFG12



# **PART LIST- MODEL NO. SSFG12**

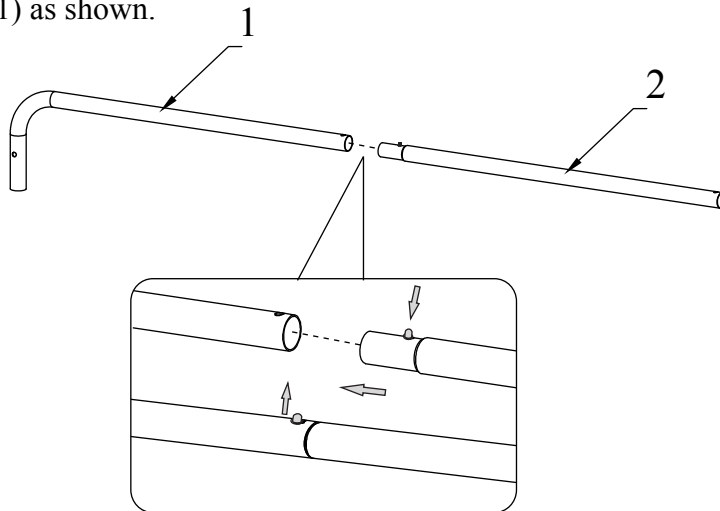
---

<b>Key No.</b>	<b>Qty.</b>	<b>Description</b>
1	2	Top corner tube
2	2	Cross bar
3	2	Front side post (short)
4	2	Front bottom corner
5	4	Bottom cross bar (long)
6	1	Bottom left corner
7	1	Bottom right corner
8	2	Back top bent tube
9	2	Back side post
10	2	Anchor tube
11	2	Ground stake
12	2	Bolt
12	2	Washer
14	2	Arc washer
15	1	Net
16	2	Soccer Banner
17A	1	Middle Banner Soccer
17B	1	Middle Banner Football
18	28	Clip
19	1	Wrench
20	2	Sandbag weight small
21	1	Sandbag weight large

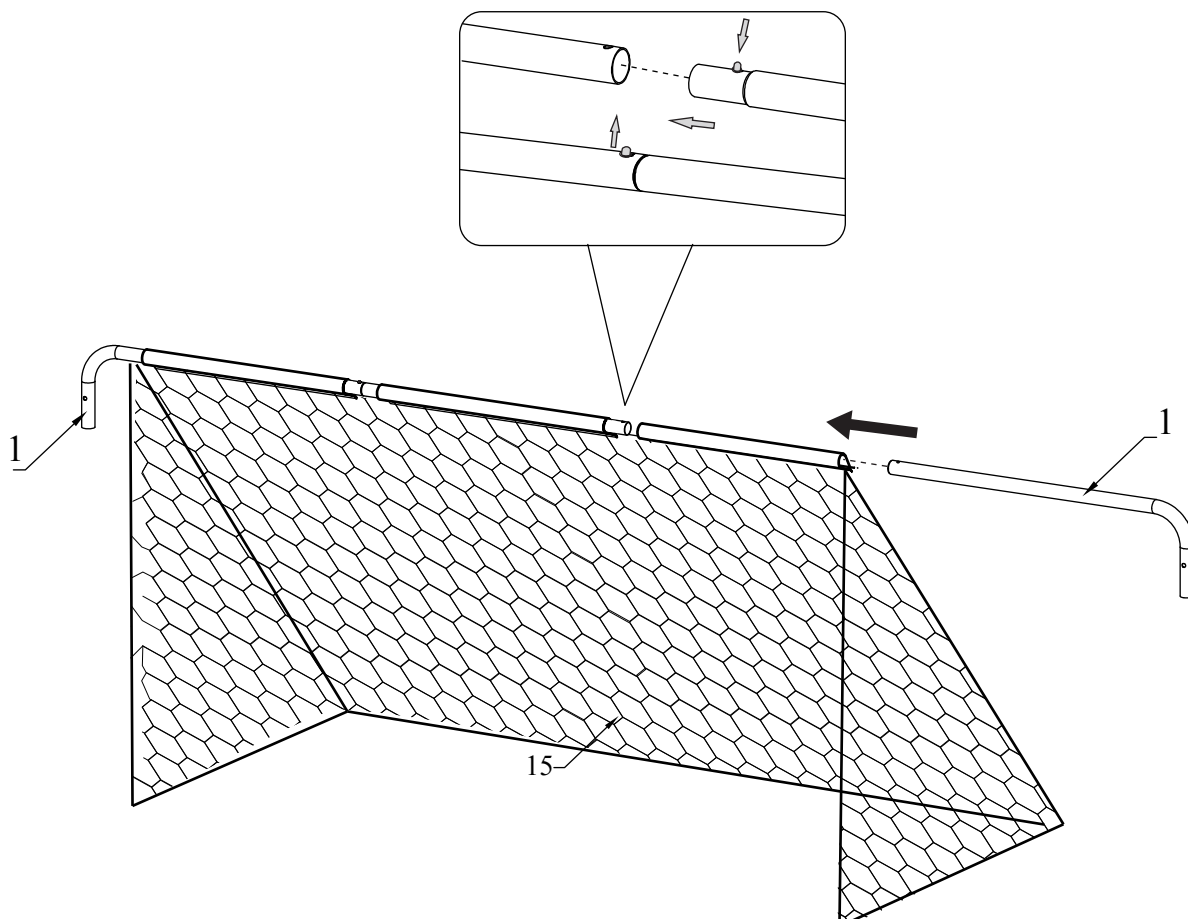
# ASSEMBLY

**Make Things Easier for Yourself!** This manual is designed to ensure that the Soccer Goal can be assembled successfully by anyone. Most people find that by setting aside plenty of time, assembly will go smoothly.

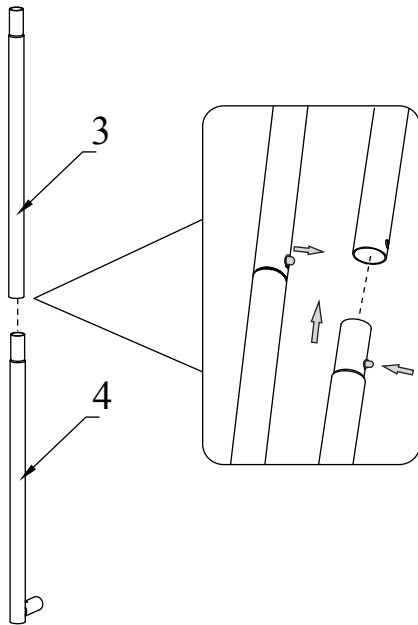
1. Locate both Key #1s (top corner tubes) and one Key #2 (cross bar). Insert cross bar (2) into one top corner tube (1) as shown.



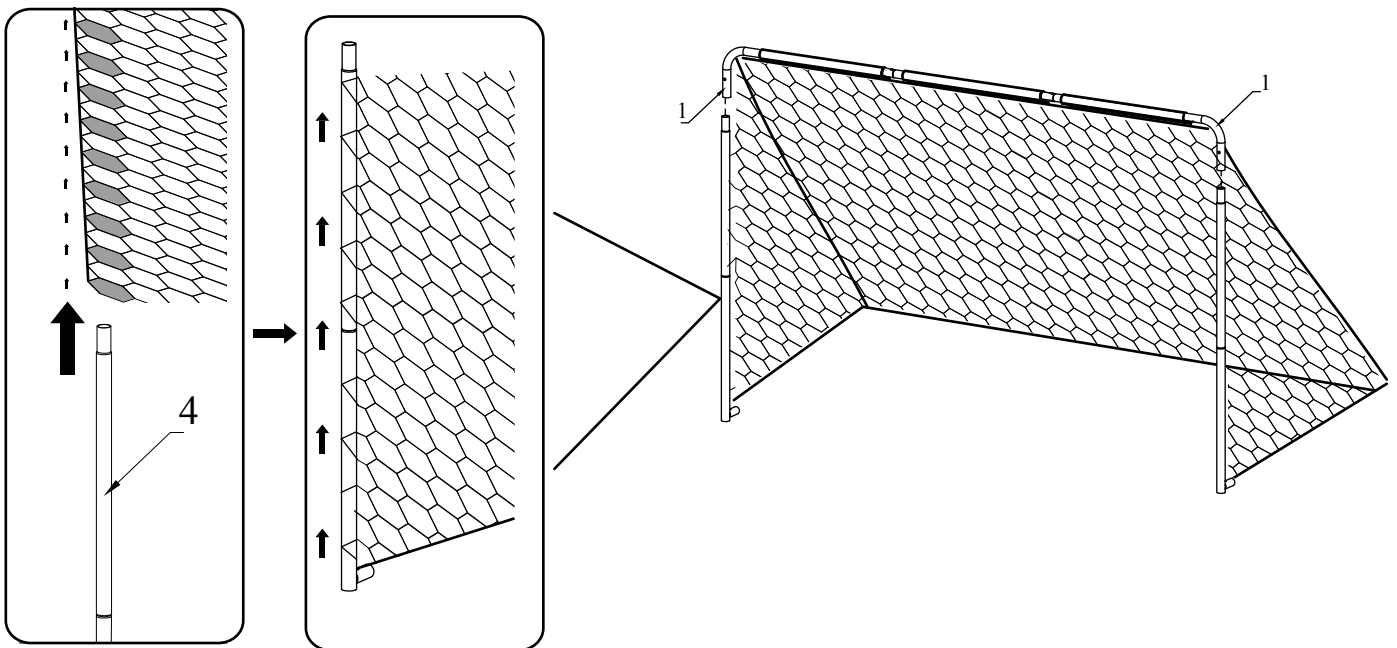
2. Slip the tube section from step 1 into the left and middle sleeves on the top of the net (15) as shown. Slip the remaining top corner tube (1) through the sleeve on the right side of the net (15), and insert into the cross bar (2) as shown.



3. Locate Key #4 (front bottom corner) and Key #3 (front side post). Insert one front bottom corner (4) into one front side post (3) as shown. Repeat with remaining front bottom corner and front side post.

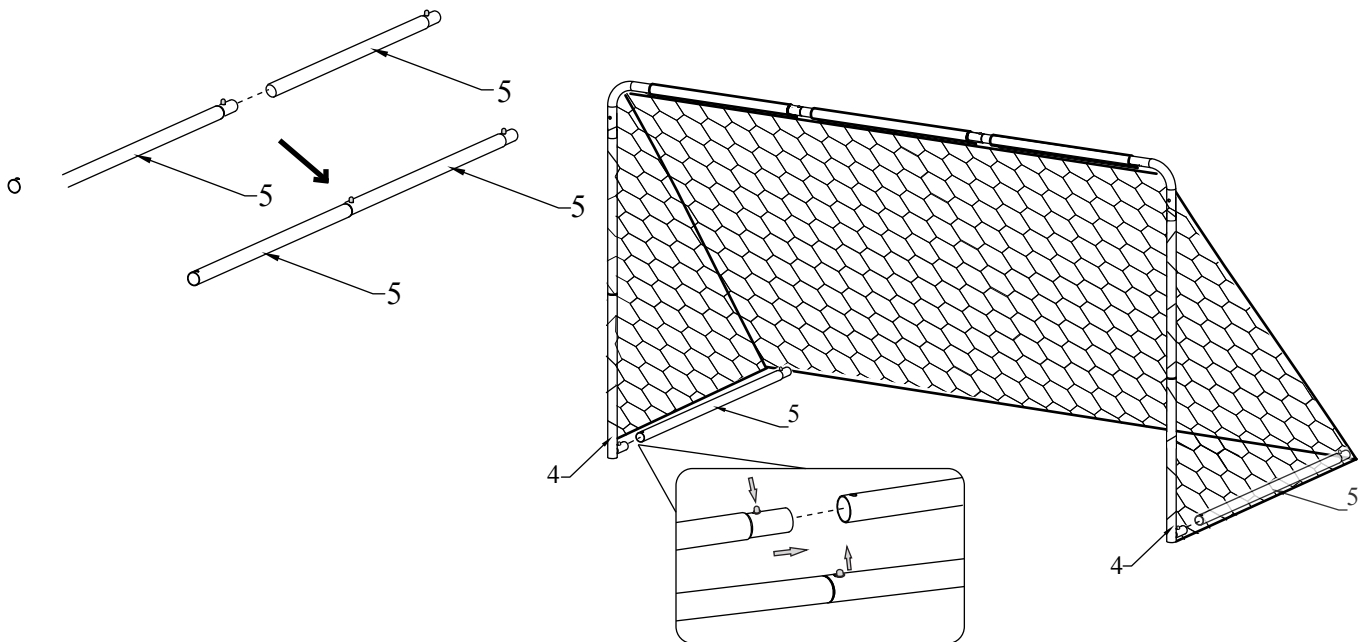


4. Starting at the bottom of the net, weave the assembled tubes in step 3 in and out of the larger holes in the side of the net (15) as shown below. When the top of the net is reached, insert assembled tubes into the top corner tube (1). **(Before connecting the frame pieces together, be sure to also weave the net over the corner of the top corner tube.)** Repeat this step on the other side of the net.

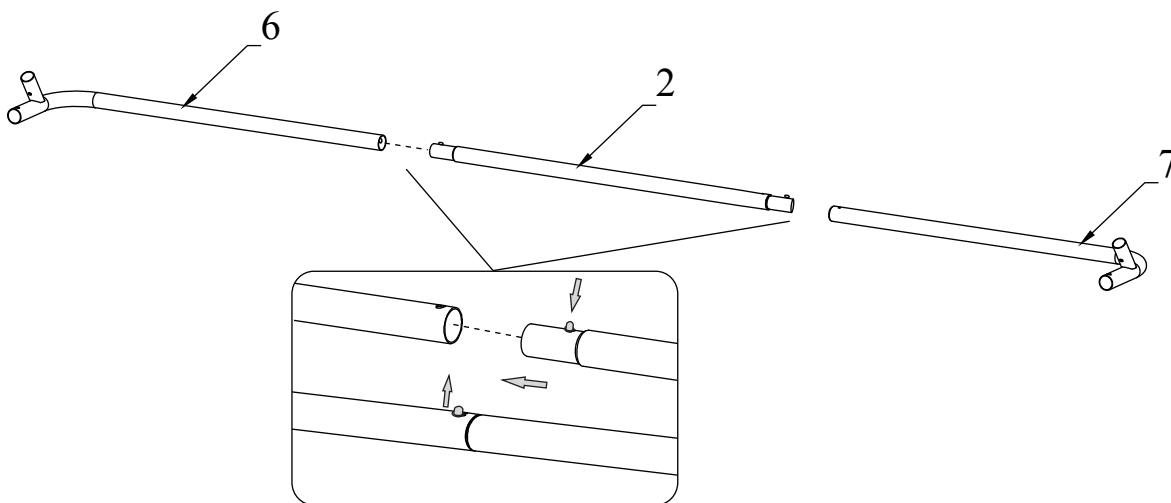




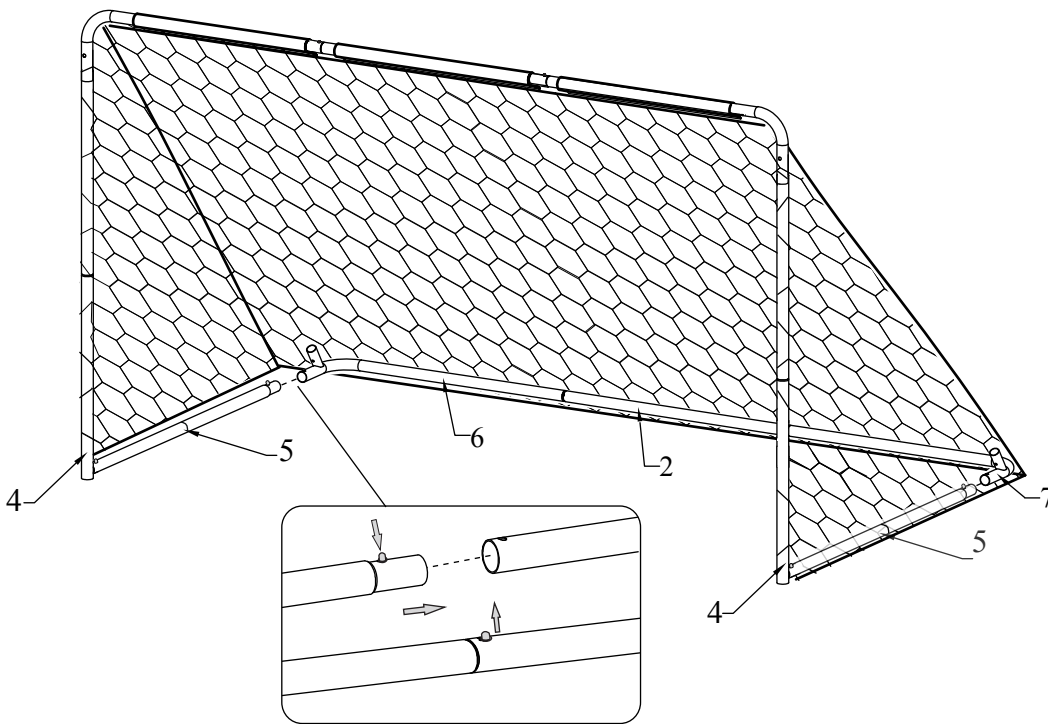
5. Locate four key #5s (bottom cross bars) and attach two together to make two sets. Attach one bottom cross bar set to each of the front bottom corners (4) as shown.



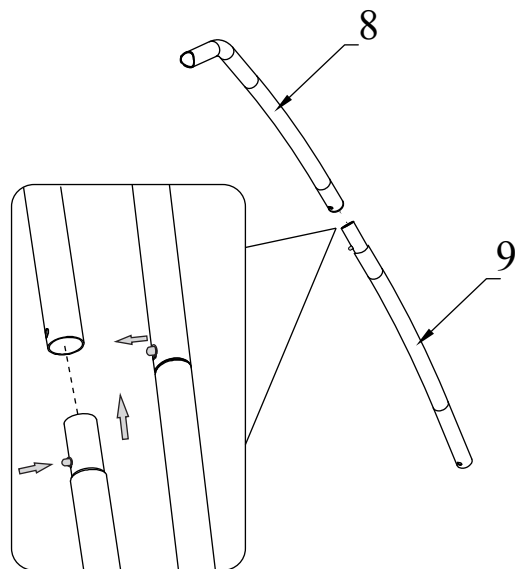
6. Locate key #6 (back bottom left corner), key #2 (cross bar) and key #7 (back bottom right corner). Connect the back bottom left corner (6), cross bar (2) and back bottom right corner (7) together.



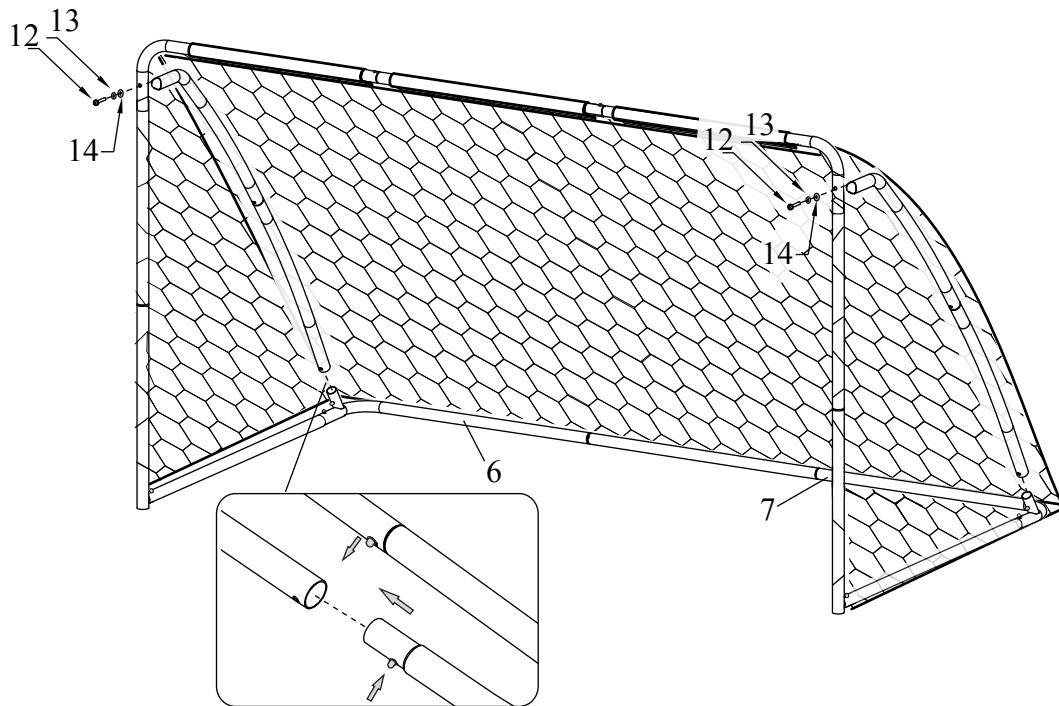
7. Place the assembled tube section from the previous step on the inside of the net (15), attach to the bottom cross bars (5).



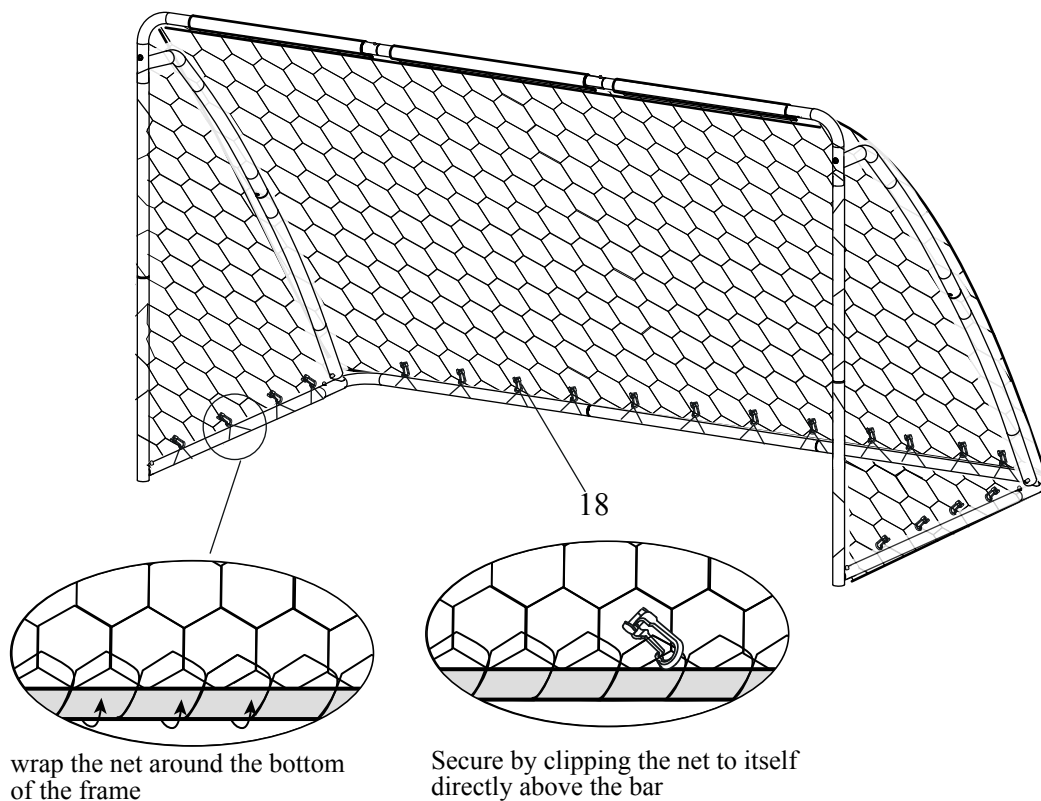
8. Locate two key #8 (back top bent tubes) and two key #9 (back side posts). Connect one back top bent tube (8) to one back side post (9) as shown. Repeat with second set.



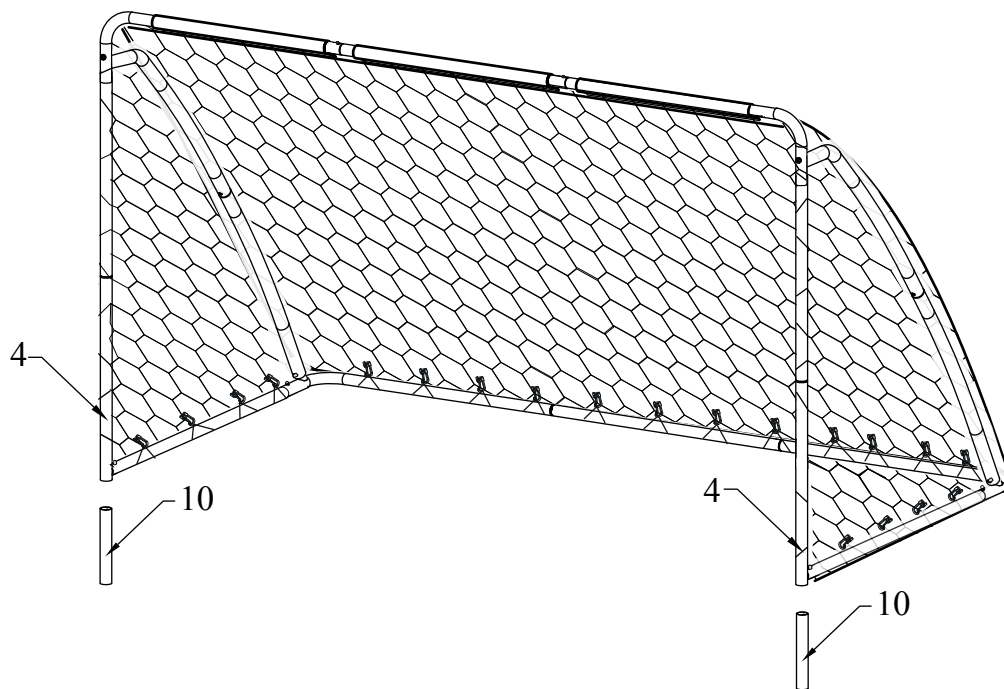
9. Place the assembled tube sets in step 8 into the bottom left(6) and bottom right corners (7)  
 Attach the back tubes to front side posts (3) with two bolts (12) , two washers (13) and arc washers (14).



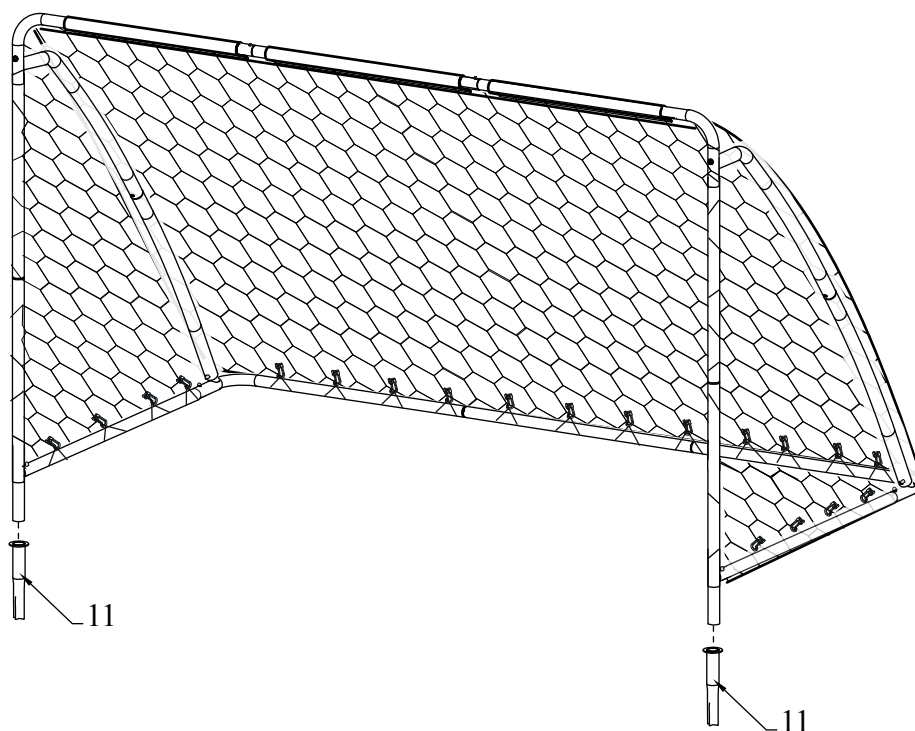
10. Locate the 28 clips(18). Now, place the bottom of the net so it lies underneath the bottom of the goal frame and wraps towards the inside. Secure the net(15) to itself by using a clip to attach the excess net on the inside to the outside portion just above the bar. Use the remaining clips to secure the net evenly around the bottom of the goal.



11. Locate the key #10 anchor tubes and insert them into the front bottom corners(4).

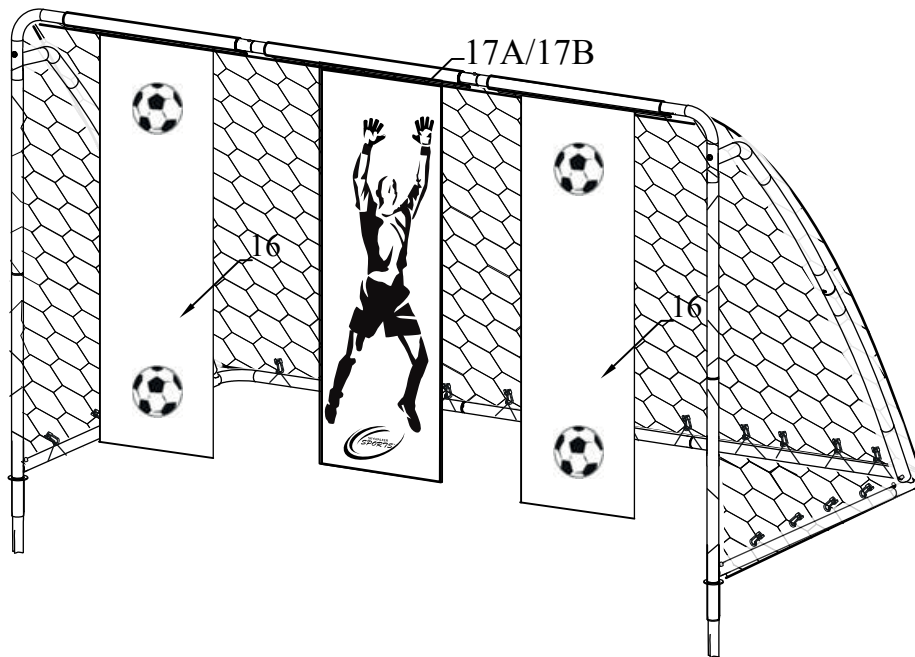


12. To set the goal into the ground, select a flat surface of dirt or grass, making sure the assembled unit will be at least 9 feet from other structures or obstructions. Then, with a steel or rubber mallet, drive the two ground stakes(11) into the ground making sure they are spaced to match up with the anchor tubes on the goal. Now lower the anchor tubes (10) into the ground stakes (11) to secure the goal into place.



13. To attach and use the banners, simply zip them onto the sleeves. To remove the banners, you can either zip them off or leave them attached and throw them over the back of the net.

Note: The sandbag weights are preinstalled in the bottom of the banners. If switching from the middle soccer banner to the middle football banner you will need to remove the sandbag weight from the soccer banner and place in the football banner.



The assembly of your Skywalker Sports soccer goal is now complete. Enjoy!

# MAINTENANCE INFORMATION

---

This product was manufactured using quality materials and crafted to provide you and your family with many years of enjoyment and exercise. Proper maintenance and care will help to prolong the life and reduce the possibility of injury. The following guidelines should be followed.

1. Tighten all hardware at the beginning of each play season.
2. Check metal parts for rust. If found, sand and repaint using a nonlead-based paint.
3. Spot clean banners and frame when dirt accumulates.
4. Disposal Instructions — If discarding, disassemble and dispose of the soccer goal in such a way that no unreasonable hazards will exist at the time the soccer goal is discarded.
5. In cold weather locations, remove and store all soft materials in a dry, protected location during the winter months.

For your safety, please only use your soccer goal when in good repair.

## **! WARNING**

Read the assembly, installation, care, maintenance, and use instructions in this manual prior to assembling and using this Soccer Goal. Save this manual for future reference.

For assembly help, warranty information, other products or any additional information pertaining to Skywalker Sports and Skywalker Trampolines please visit our many online locations:

[www.skywalkertrampolines.com](http://www.skywalkertrampolines.com)

[www.facebook.com/skywalkertrampolines](http://www.facebook.com/skywalkertrampolines)

[www.pinterest.com/swtrampolines](http://www.pinterest.com/swtrampolines)

[www.youtube.com/channel/UCUty7EqwIGouK5ovzGpHGrw/feed](http://www.youtube.com/channel/UCUty7EqwIGouK5ovzGpHGrw/feed)

# LIMITED WARRANTY

---

Skywalker Holdings, LLC warrants its products to be free from defects in material and workmanship under normal use and service conditions. The steel frame is warranted for one (1) year after the date of purchase. All other parts are warranted for ninety (90) days after the date of purchase. Wind or weather damage is not warranted.

All warranty coverage extends only to the original retail purchaser from the date of purchase. Skywalker Holdings, LLC obligation under this Warranty is limited to replacing or repairing, at Skywalker Holdings, LLC option, the product at one of this authorized service centers. All products for which a warranty claim is made must be received by Skywalker Holdings, LLC at one of its authorized locations. Preauthorization may be obtained by calling Skywalker Holding, LLC Customer Care Hot Line at 1-866-603-Jump(5867). This Warranty does not extend to any product or damage to a product caused by or attributable to freight damage, abuse, misuse, improper or abnormal usage, or repair not provided by a Skywalker Holdings, LLC authorized service center, or to products used for commercial or rental purpose. No other Warranty beyond that specifically set forth above is authorized by Skywalker Holdings, LLC.

SKYWALKER HOLDINGS, LLC IS NOT RESPONSIBLE OR LIABLE FOR INDIRECT, SPECIAL OR CONSEQUENTIAL DAMAGES ARISING OUT OF OR IN CONNECTION WITH THE USE OR PERFORMANCE OF THE PRODUCT OR OTHER DAMAGES WITH RESPECT TO ANY ECONOMIC LOSS, LOSS OF PROPERTY, LOSS OF REVENUE OR PROFITS, LOSS OF ENJOYMENT OR USE, COST OF REMOVAL, INSTALLATION OR OTHER CONSEQUENTIAL DAMAGES. SOME STATES DO NOT ALLOW THE EXCLUSION OR LIMITATION OF INCIDENTAL OR CONSEQUENTIAL DAMAGES. ACCORDINGLY, THE ABOVE LIMITATION MAY NOT APPLY TO YOU.

THE WARRANTY EXTENDED HEREUNDER IS IN LIEU OF ALL OTHER WARRANTIES AND ANY IMPLIED WARRANTY OF MERCHANTABILITY OR FITNESS FOR A PARTICULAR PURPOSE IS LIMITED IN ITS SCOPE AND DURATION TO THE TERMS SET FORTH HEREIN. SOME STATES DO NOT ALLOW LIMITATIONS ON HOW LONG AN IMPLIED WARRANTY LASTS. ACCORDINGLY, THE ABOVE LIMITATION MAY NOT APPLY TO YOU. This Warranty gives you specific LEGAL RIGHTS. You may also have other rights which vary state to state.

THIS WARRANTY IS VALID ONLY IN THE UNITED STATES.

Skywalker Holdings, LLC, PO Box 574, Brigham City, UT 84302 USA.

Printed in China © 2016 Skywalker Holdings, LLC,