



**MARK III TACTICAL SERIES  
GENERATION 2**

**INSTRUCTIONS**

# MARK III TACTICAL SERIES

## GENERATION 2

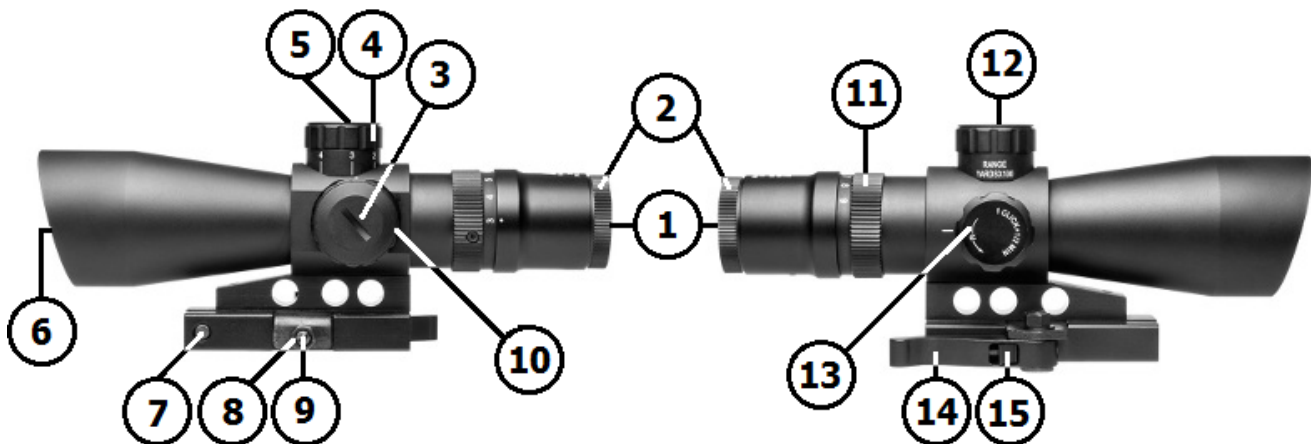
The Mark III Tactical Gen 2 scope series offer several compact tactical optic models that are packed with many of the popular features that are ideally suited for Tactical Shooters.

With a built in M193 5.56 55gr. FMJ Bullet Drop Compensator feature, a shooter can engage targets at varying distances much easier. The centerline of the Gen 2 scope is set at the proper 1½" AR15 height for a more comfortable and natural cheek weld on an AR15 platform. The increased clearance room under the Gen 2 Ocular housing will make it compatible with more low profile Rear Flip-Up Iron Sight models. The lower profile Gen 2 BDC turret will allow the lower mounting of the optional Micro Dot optic & MD mount, when mounted onto the top of the scope providing a secondary optic system. The improved auto Locking Quick Release mounting system makes for a secure, quick, easy mounting, and removal of the optics from your firearm.

NcSTAR scopes are also backed by our Lifetime Limited Warranty. We trust that you will receive many years of enjoyment and service from your new Mark III Tactical Scope.

For optimum performance, please follow all of the procedures in this owner's manual very carefully.

### KEY FEATURES

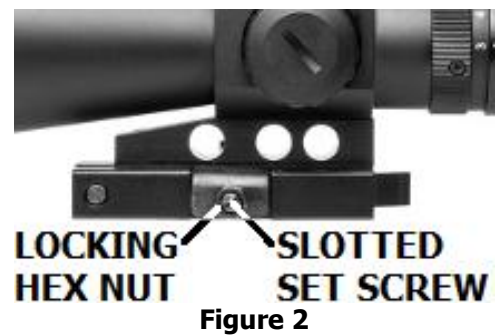
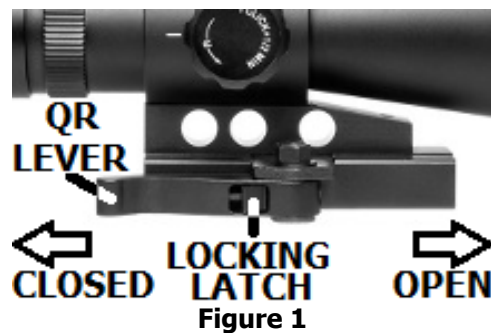


1. OCCULAR LENS
2. QUICK FOCUS EYEPIECE
3. BATTERY CAP
4. BULLET DROP COMPENSATOR TURRET  
(BDC calibrated for: M193 5.56 55gr. FMJ)
5. ELEVATION ADJUSTMENT (Inside top of BDC Turret)
6. OBJECTIVE LENS
7. RECOIL LUG (Bottom of mount)
8. LOCKING HEX NUT (For Rail Tension adjustment)
9. SLOTTED SET SCREW (For Rail Tension adjustment)
10. RHEOSTAT KNOB (Illuminated Reticle Blue or Green)
11. MAGNIFICATION RING (3X-9X models only)
12. ELEVATION CAP
13. WINDAGE ADJUSTMENT
14. QUICK RELEASE LEVER
15. AUTO LOCKING LATCH

❖ **CAUTION: BE SURE THAT YOUR FIREARM IS UNLOADED AND POINTED IN A SAFE DIRECTION. PRACTICE SAFE FIREARM HANDLING PROCEDURES AT ALL TIMES.**

❖ **CAUTION: CAREFULLY FOLLOW ALL OF THE MOUNTING PROCEDURES. FAILURE TO DO SO CAN CAUSE DAMAGE TO YOUR SCOPE OR FIREARM**

## **MOUNTING THE OPTIC:**



This Optic is equipped with a Quick Release Weaver & Picatinny type rail Mount with an auto Locking Latch. You should place your firearm on a secure platform, such as a gun vise, before performing any of the following procedures.

To attach the Optic to a Weaver or Picatinny type rails, move the Locking Latch located within the Quick Release Lever away from the lever pivot point (to unlock the lever) and then swing the Quick Release Lever to the forward (Open) position. Place the Optic onto the rail, with the Recoil Lug placed into one of the cross slots on the rail. Swing the Quick Release Lever rearward (Closed) position to secure the Optic onto the rail.

Your scope mount is the link between your firearm and your optics. It is very important to have a solid connection between the two, in order to ensure a consistent zero and proper function of all the components.

## **ADJUSTING THE RAIL TENSION OF THE MOUNT:**

If the scope's mount does not fit your firearms rail securely, you can adjust the rail tension of the mount by following these instructions:

- 1.** To perform this action, move the Quick Release Lever to the Closed position pointing towards the Ocular Lens/ Eyepiece (Fig. 1). Begin by loosening the Locking Nut on the left side of the mount. Using a wrench, turn the Locking Hex Nut Counter-Clockwise (Fig. 2).
- 2.** Next, Slide the Locking Latch away from the lever pivot point and swing the Quick Release Lever to the Open position pointing towards the Objective Lens. Using a flat blade screwdriver, loosen the Slotted Set Screw in order to fit the mount onto the rail of your firearm. Seat the scope on top of your firearm's optics rail with the Objective Lens pointing towards the muzzle of the firearm. Shoulder the firearm and adjust the position of the scope on the optics rail until you have achieved the proper eye relief and maximum field of view through the scope. Once you have your scope positioned properly, close the Quick Release Lever. Now, tighten the Slotted Set Screw until it is snug using a flat blade screwdriver.
- 3.** At this point your scope and mount are in place, but they are not yet anchored to the firearm solidly. Open the Quick Release Lever and make small adjustments to the Slotted Set Screw. Open and Close the Quick Release Lever checking the tightness of the mount. Perform this action as many times as necessary until the mount is set firmly atop the rail.

4. Once you have properly tightened the Slotted Set Screw and checked the rail tension of the mount connection by opening and closing the Quick Release Lever, you can now tighten the Locking Hex Nut to secure the adjustments you have made. Tighten the Locking Hex Nut with the Quick release lever in the closed position for best results. Be sure not to over tighten the Locking Hex Nut to avoid stripping it. You have now successfully mounted your scope and adjusted the rail tension of the mount. By simply opening the Quick Release lever and pivoting the scope in the direction of the locking nut, you can easily remove the scope from your firearm.

❖ **CAUTION: IT DOES NOT TAKE A LOT OF FORCE TO GET THIS UNIT MOUNTED SECURELY. BE CERTAIN NOT TO OVER TIGHTEN THE SLOTTED SET SCREW TO AVOID STRIPPING THE THREADS. DAMAGE CAN ALSO OCCUR TO QUICK RELEASE LEVER IF TOO MUCH FORCE IS APPLIED.**

## **FOCUSING YOUR SCOPE**

Your Mark III Tactical Gen 2 Scope is equipped with a Quick Focus Eyepiece on the rear of the Ocular Lens, easily distinguished by the serrated ring (Fig. 3). Once your scope is properly mounted you can focus your reticle to ensure a clear and crisp image.

1. Hold your firearm and look through your scope in a comfortable position to where you see a full field of view. Make quick glances through the eyepiece at a featureless, flatly lit area such as a wall or open sky.
2. Rotating the eyepiece Counter-Clockwise will extend the eyepiece outward (generally suitable for those who are Far Sighted). Rotating the eyepiece Clockwise will bring the eyepiece back into the Ocular Lens housing (generally suitable for those who are Near Sighted) Fine tune your adjustments until the reticle appears clear and sharp.
3. Once the eyepiece reaches the outer limits of adjustment, be sure not to force it so as not to ruin the integrity of the seals.



**Figure 3**

## **ZEROING YOUR SCOPE**

### **ELEVATION ADJUSTMENT**



**Figure 4**

Your Mark III Tactical Scope is equipped with adjustment turrets for Windage and Elevation. The Elevation Adjustment turret is located within the Bullet Drop Compensator (BDC) on top of the turret housing. To access the Elevation Adjustment, remove the slotted Elevation Cap on top of the BDC by using a thin coin or a flat blade screwdriver.

- Turning the Elevation Adjustment Counter-Clockwise will move the crosshairs Up, moving your bullet impacts Down. (Fig. 4).
- Turning the Elevation Adjustment Clockwise will move the crosshairs Down, moving your bullet impacts Up.

Replace the Slotted Elevation Cap once you have made all necessary adjustments.

The Windage Adjustment turret is located on the right side of the scope body. This Windage Adjustment is an open Target style turret for ease of access (Fig. 5).



**WINDAGE ADJUSTMENT**  
Figure 5

- Twisting the Windage Adjustment Counter-Clockwise will move the crosshairs to the Right, moving your bullet impacts Left.
- Twisting the Windage Adjustment Clockwise will move the crosshairs to the Left, moving your bullet impacts Right.

NOTE: Each click of adjustment changes the point of impact (where the bullet strikes the target) by the amount shown on the chart below.

Windage/Elevation inches of movement per click				
50 yards	100 yards	200 yards	300 yards	400yards
1/4"	1/2"	1"	1 1/2"	2"

We recommend the use of a bore sighting device to save time and ammunition when zeroing your scope. This device will help you get on paper much quicker. Follow all of the instructions set by the manufacturer of your bore sighting device very carefully. Once you have achieved a relative zero by way of bore sighting, it is still necessary to shoot your firearm to ensure an accurate zero.

❖ **CAUTION: ALWAYS BE SURE TO REMOVE THE BORE SIGHTING DEVICE FROM YOUR FIREARM BEFORE SHOOTING ANY LIVE AMMUNITION. FAILURE TO DO SO CAN RESULT IN DAMAGE TO YOUR FIREARM OR INJURY TO YOURSELF AND THOSE AROUND YOU.**

With some firearms it may not be possible to use a bore sighting device. In this case it will be necessary to use a more traditional method of zeroing.

❖ **WHEN OPERATING ANY TYPE OF FIREARM ALWAYS USE PROPER EYE AND EAR PROTECTION. BE SURE TO USE YOUR FIREARM IN AN AREA THAT IS PERMISSIBLE UNDER LOCAL, STATE, AND FEDERAL LAW.**

1. From a steady rest position (such as a shooting bench) fire three to five round shot groupings at a 100 yard target.
2. Observe where the bullets have struck the target and adjust the Windage and Elevation as necessary until your point of aim matches your point of impact. Remember, at 100 yards each click of adjustment will move the crosshairs of the scope roughly 1/2".
3. Your firearm and scope are now zeroed for 100 yards. To change the zero distance of your scope you can adjust the Elevation and Windage turrets as needed according to the ballistics of the cartridge load you are using
4. Your Mark III Tactical Gen 2 scope is also equipped with a Bullet Drop Compensator (top turret in picture in Fig. 6). A Bullet Drop Compensator (BDC) is designed to compensate for the natural gravitational pull on the bullet as soon as it leaves the barrel. If you look closely at the BDC you will notice that it is marked one through five. Each number is represented in

increments of 100 yards. So whatever distance you are shooting at, simply turn the BDC knob to the closest BDC range in 100 yards increments.

**NOTE:** Since altitude, temperature, wind, rain, and other climatic conditions affect trajectory, you may experience some slight deviation in the exact settings of your scope from one shooting session to the next. Also, different cartridge batches, brands, loads, and bullet weights will result in different points of impact.

## **ILLUMINATED RETICLE**

Your Mark III Tactical Scope is equipped with an Illuminated Reticle that can be turned On and Off by simply rotating the Rheostat knob located on the left side of the turret housing (Fig. 6)



**Figure 6**

The reticle can be illuminated in two different colors Blue or Green with multiple brightness levels for each. If you look closely at the top of the knob you will notice a series of numbers. "0" represents the OFF position. If you turn the knob in either direction the reticle will illuminate in Blue or Green (depending upon the direction that it is turned). Both colors have three brightness levels each, "1" being the dimmest and "3" being the brightest. Adjust the brightness level as needed in accordance with the surrounding conditions. The illumination will increase reticle visibility especially during dusk and dawn. When the illumination is turned OFF the reticle will appear as normal (Black Reticle). Be sure the Rheostat Knob is set to the "0" position when not in use to preserve battery life.

## **BATTERY INSTALLATION**

Your Mark III Tactical Scope comes ready to use with a pre-installed battery. If the battery life expires or your scope no longer illuminates, follow these simple instructions:



**Figure 7**

1. The Battery compartment is located within the Rheostat Knob (Fig. 7)
2. On the top of the Rheostat Knob you will notice a thin cap. To remove this cap grasp it firmly with one hand and twist it counter-clockwise while holding the rheostat knob firmly in place with the other hand.
3. Remove the old battery and dispose of it properly. Replace it with a new 3 volt Lithium Battery type **CR2032** only. Place the Battery in the Battery compartment with the Positive "+" terminal facing out. Twist the Battery cap back on to the Rheostat Knob and hand tighten. Avoid using tools (such as pliers) to perform this procedure as this may cause damage to the unit.



**❖ IF YOU ARE NOT SURE ABOUT ANY OF THE PROCEDURES IN THIS MANUAL, ALWAYS SEEK THE HELP OF A QUALIFIED PROFESSIONAL TO AVOID DAMAGE TO YOUR SCOPE AND YOUR FIREARM.**

## **CARE AND MAINTENANCE**

Your Mark III Tactical Gen 2 scope is fog proof, shock proof, and waterproof. However, you should never try to take it apart or clean it internally. The exposed optical lens surfaces will perform their best if they are routinely cleaned with a lens brush and/or the lens cloth provided with your scope.

For a deep cleaning, you can also use high grade camera lens paper and camera lens cleaning solutions. Never use any other type of materials or solvents other than those designed specifically for optical lenses to avoid damaging your scope. Clean the outer portion of the lens cavity first with cotton swabs, clearing as much debris and dust as possible. Then, gently clean the lenses using a circular motion starting in the center and ending at the edges. Do not rub the lenses continually; simply wipe in short circular patterns.

Maintain the exterior surfaces of the scope by removing dirt or sand by using a soft brush or a soft, dry cloth. You can also use a silicone treated cloth to restore luster and protect the scope against corrosion. Be careful not to touch any part of the lenses with the silicone cloth.

It is not necessary to lubricate any part of the scope as all of the moving parts, such as the rheostat, turrets, and the Quick Focus Eyepiece, are permanently lubricated.

When not in use, always store your scope in a dry place with the lens caps on, to prevent scratches to the lenses.

## **SPECIFICATIONS**

Item #	Reticle Type	Reticle Colors	Magnification	Objective Diameter	Field of View ft@100 yds	Eye Relief in.	Exit Pupil mm	Weight oz.	Length in.	Click Value @100 yards	Lens Coating
STM432GV2	Mil-Dot	Blue & Green	4X	32 mm	27.3ft	3.0"	8.0	15.1	6.6"	½ MOA	Green
STP432GV2	P4 Sniper										
STM3942GV2	Mil-Dot	Blue & Green	3X - 9X	42 mm	36.8 - 12.0 ft	2.0"	14.0 - 4.7	17.3	7.5"	½ MOA	Green
STP3942GV2	P4 Sniper										

# **MARK III TACTICAL SERIES GENERATION 2**



FOR TECHNICAL ASSISTANCE CALL:  
1-866-NCSTAR-8  
(1-866-627-8278)

[WWW.NCSTAR.COM](http://WWW.NCSTAR.COM)