

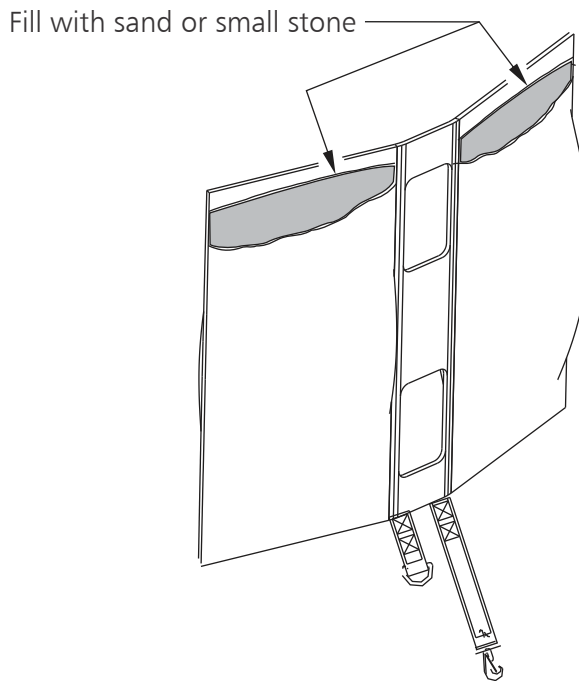


Most Kwik Goal products carry a **Lifetime Guarantee**. For details or claims, visit kwikgoal.com or contact customer service at 1-800-531-4252.

ASSEMBLY INSTRUCTIONS FOR 10B1605 SADDLE ANCHOR BAG

1. Unpack all parts and check for damage that may have occurred during shipping. If damage has occurred, notify trucking company immediately. Lay out all parts. Remove all cardboard and packaging immediately. Wet or damp packaging may damage contents.
2. Read through entire instruction before beginning assembly and installation.
3. Refer to Anchor Weight Requirements chart (NZ337) on following pages to determine the appropriate number of anchor bags for goal.
4. Fill each anchor bag with a minimum of 40 lbs. of sand or small stone.

CAUTION : GOALS MUST BE PROPERLY ANCHORED OR STORED AT ALL TIMES.



US Pat# 7,341,531 B2

*****CAUTION*****

All sports equipment must be anchored at all times. Sports equipment not in use must be disassembled and stored in a safe, secure place. Assembled sports equipment should not be left unattended. Do not use this equipment during the threat of high winds. Sports equipment should be checked for safety on a regular basis. Any modifications to this or any Kwik Goal product will void any and all warranties.

140 Pacific Drive Quakertown, PA 18951
(P) 215-536-2200 / (P) 800-531-4252 / (F) 215-536-4309 / (F) 800-778-8869
Visit our website @ kwikgoal.com
© 2003, Rev. 2012 Kwik Goal Ltd.



IMPORTANT GOAL SAFETY INSTRUCTIONS
READ CAREFULLY

1. Check for structural integrity and proper connecting hardware before every use. Replace damaged or missing parts or fasteners immediately.
2. Safety/Warning labels must be clearly visible.
3. Securely anchor moveable goals at ALL times.
4. Always instruct players, managers, coaches, trainers, teachers, maintenance workers and all other personnel who might come in contact with the goal, on the safe handling of and potential dangers associated with moveable goals.
5. Always exercise extreme caution when moving goals and provide adequate manpower to move goals of varied sizes and weights. Moveable goals should only be moved by authorized personnel.
6. NEVER allow anyone to climb on the net or goal framework.
7. Moveable goals should only be used on LEVEL fields, NEVER on a slope or hill area.
8. Remove nets when goals are not in use.
9. Most tip-over injuries occur when goals are unattended. Anchor or chain one goal to another or to nearby fence posts, dugouts, or any other similar sturdy fixture when not in use. If this is not practical, store moveable goals in a place where children cannot have access to them.
10. Fully disassemble goals for seasonal storage.



Anchor Weight Requirements

Goal		Weight	Bag	Goal		Weight	Bag
Model	Description	(lbs.)	Quantity	Model	Description	(lbs.)	Quantity
Current Models				Canadian Models			
2B2001	8' X 24' Pro European Match	240	6	25B05	8' X 24' Pro European Match	240	6
2B3306	8' X 24' Evolution - 4" X 5" Elliptical	240	6	25B06	8' X 24' Evolution - 4" X 5" Elliptical	240	6
2B3406	8' X 24' Evolution - 4-3/8" Round	240	6	25B408**	8' X 24' Kwik Goal	80	2
2B3806	8' X 24' Fusion	240	6	25B407**	7' X 21' Kwik Goal	80	2
2B3906	8' X 24' Fusion 120	240	6	25B303	6-1/2' X 18-1/2' Junior Evolution	240	6
2B3706	8' X 24' High School Match Play	240	6	25B406**	6-1/2' X 18-1/2' Kwik Goal	80	2
2B3006	8' X 24' Deluxe Euro Club	240	6	25B16	6-1/2' X 18' Pro European Match	240	6
2B5006**	8' X 24' Academy	120	3	25B18	6-1/2' X 18' Pro European Match	240	6
2B3805	7' X 21' Fusion	240	6	25B301	6-1/2' X 18' Junior Evolution	240	6
2B3005	7' X 21' Deluxe Euro Club	240	6	25B302	6-1/2' X 18' Jr. Evolution - Montreal	240	6
2B5005**	7' X 21' Academy	120	3	25B704	6-1/2' X 18' Deluxe Euro Club	240	6
2B3804	6-1/2' X 18-1/2' Fusion	240	6	25B304**	6-1/2' X 12' Junior Evolution	240	6
2B3004	6-1/2' X 18-1/2' Deluxe Euro Club	240	6	25B405**	6-1/2' X 12' Kwik Goal	80	2
2B5004**	6-1/2' X 18-1/2' Academy	120	3	25B6304**	6' X 18' Junior Evolution	240	6
2B3003**	6-1/2' X 12' Deluxe Euro Club	120	3	25B6204**	6' X 18' Deluxe Euro Club	120	3
2B5003**	6-1/2' X 12' Academy	120	3	25B15**	6' X 16' Deluxe Euro Club	120	3
2B3002**	4-1/2' X 9' Deluxe Euro Club	120	3	25B6104**	6' X 18' Kwik Goal	80	2
2B5002**	4-1/2' X 9' Academy	120	3	25B14**	5' X 8' Deluxe Euro Club	120	3
2B3001**	4' X 6' Deluxe Euro Club	120	3	25B6901**	5' X 8' Hybrid Goal	80	2
2B5001**	4' X 6' Academy	120	3	25B404**	4' X 6' Kwik Goal	80	2
2B6001**	3' X 4' Academy Training	120	3				
Discontinued Models				Discontinued Canadian Models			
2B3	8' X 24' Pro Premier International	320	8	25B17	6-1/2' X 18-1/2' Pro European Match	240	6
2B4	8' X 24' Pro Premier Collegiate	320	8				
2B10	8' X 24' Pro Premier Interscholastic	320	8				
2B1801	8' X 24' Pro Premier Elliptical	320	8				
2B3506	8' X 24' Evolution - 4" Square	240	6				
2B905	8' X 24' Club	320	8				
2B904	7' X 21' Club	400	10				
2B6003**	5' X 15' Academy Training	120	3				
2B6002**	4' X 12' Academy Training	120	3				

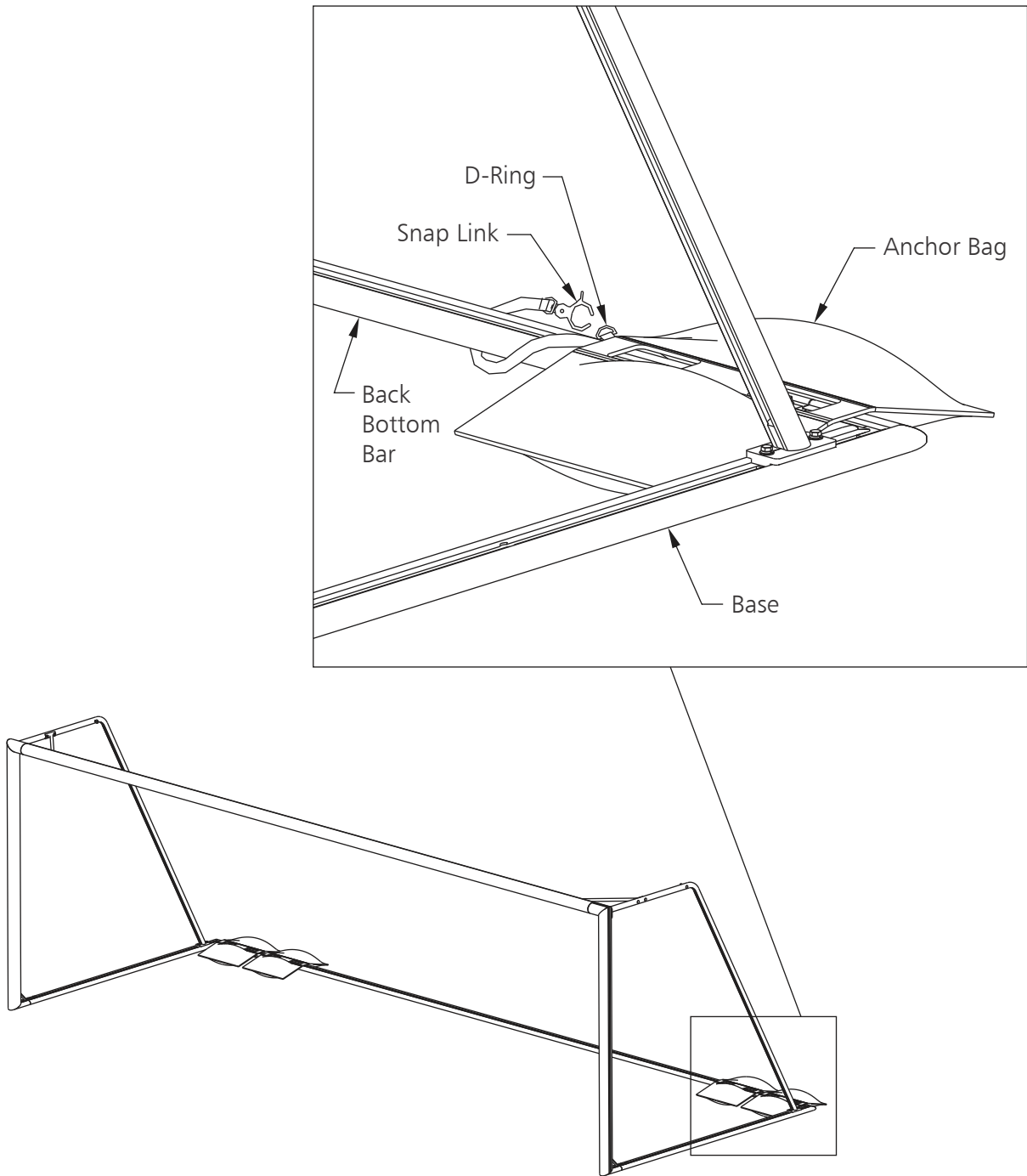
Notes:

- 1) Above listed weights are accurate only if goal is outfitted with all equipment supplied with goal and has been assembled in accordance with manufacturer's instructions.
- 2) Weight must be placed as close to rear corners of goal as possible. Weight must be evenly distributed between the left and the right sides.
- 3) Weights listed above are sufficient for goal to pass tip test in accordance with ASTM F2056, ASTM F2673, and European Standard EN748.

** Goals are exempt from the requirements of ASTM F2056, ASTM F2673 and EN748. Weights listed are Kwik Goal recommendations to stabilize goals for normal use.

Above information only to be used with the corresponding Kwik Goal goals and is not intended to be used with any other product.

5. Attach anchor bags as shown. For maximum effectiveness, weight should be placed as far towards rear of goal as possible.



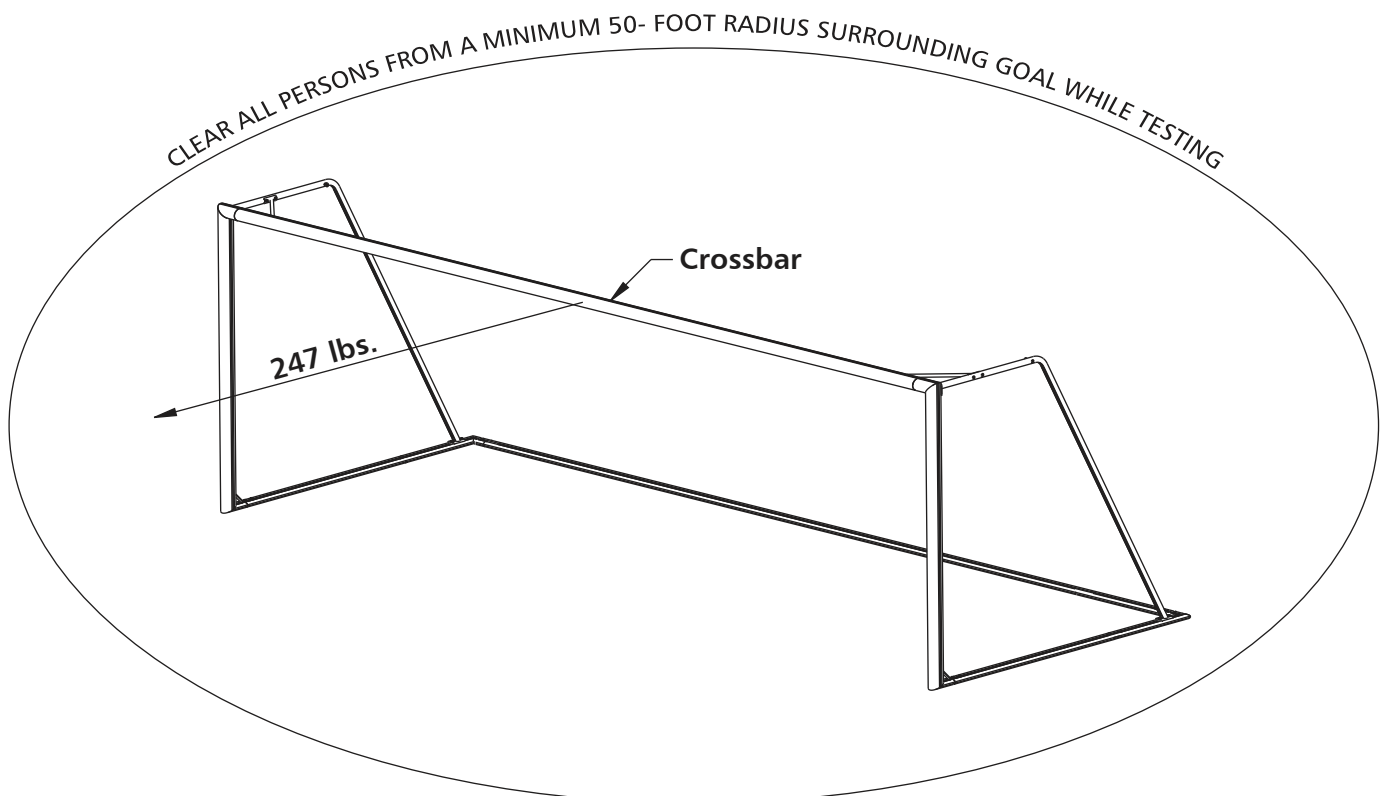
*****CAUTION*****

All sports equipment must be anchored at all times. Sports equipment not in use must be disassembled and stored in a safe, secure place. Assembled sports equipment should not be left unattended. Do not use this equipment during the threat of high winds. Sports equipment should be checked for safety on a regular basis. Any modifications to this or any Kwik Goal product will void any and all warranties.

6. After installing anchor weights, test as described below to verify effectiveness of anchor system.

INSTRUCTIONS FOR PERFORMING SOCCER GOAL ANCHOR TEST

1. Verify goal has been assembled according to manufacturer's instructions.
2. Inspect goal for damage, broken parts, and loose hardware. Replace any broken parts and be sure all hardware is tightened properly before performing test.
3. Anchor goal in accordance with manufacturer's instructions. If using counterbalance weight, be sure the correct amount is being used.
4. Clear all persons from a minimum 50 foot radius surrounding the goal.
5. Verify goal is attached to anchors according to instruction.
6. Apply a horizontal pull force of 247 lbs. to the center of the crossbar for 60 - 70 seconds. Full safety precautions must be taken while performing test.
7. If goal overturns during application of force or does not return to an upright position after removing force, an alternate anchoring system must be used.



*****CAUTION*****

All sports equipment must be anchored at all times. Sports equipment not in use must be disassembled and stored in a safe, secure place. Assembled sports equipment should not be left unattended. Do not use this equipment during the threat of high winds. Sports equipment should be checked for safety on a regular basis. Any modifications to this or any Kwik Goal product will void any and all warranties.