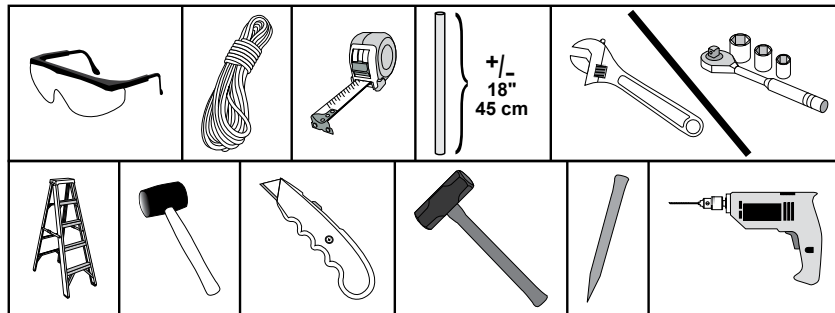
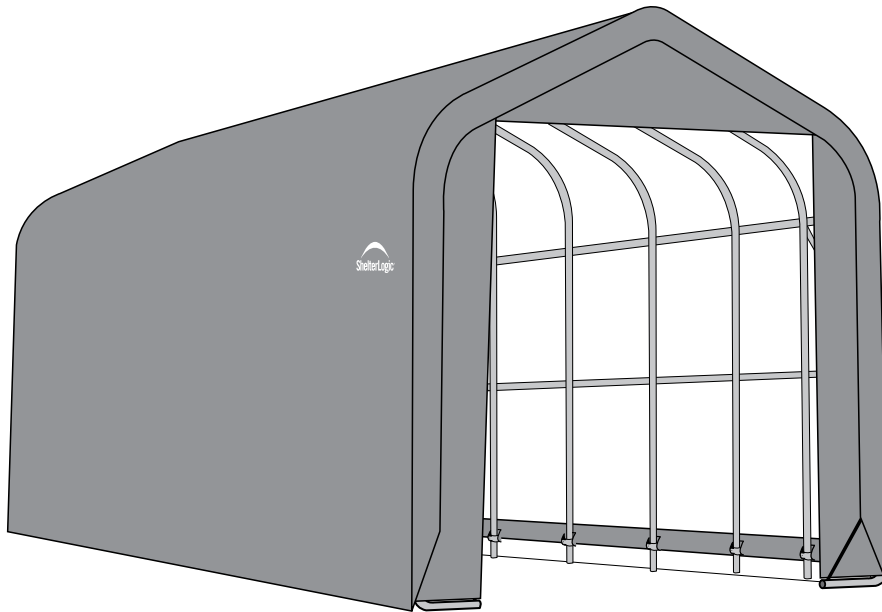


# 14'W x 16'H Peak Shelter

## Assembly Manual



Please read instructions **COMPLETELY** before assembly. This shelter **MUST** be securely anchored. THIS IS A TEMPORARY STRUCTURE AND NOT RECOMMENDED AS A PERMANENT STRUCTURE.

**Before you start:** 3 or more individuals recommended for assembly.  
Assembly time is dependent upon the length of your building.  
Allow approximately 15 minutes for every foot in building length.

  
**ShelterLogic**<sup>®</sup>  
150 Callender Road  
Watertown, CT 06795  
www.shelterlogic.com

**1-800-524-9970**  
Canada:  
**1-800-559-6175**

## ATTENTION:

This shelter product is manufactured with quality materials. It is designed to fit the **ShelterLogic® Corp.** custom fabric cover included. **ShelterLogic® Corp.** Shelters offer storage and protection from damage caused by sun, light rain, tree sap, animal - bird excrement and light snow. Please anchor this **ShelterLogic® Corp.** structure properly. See manual for more anchoring details. Proper anchoring, keeping cover tight and free of snow and debris is the responsibility of the consumer. Please read and understand the installation detail, warnings and cautions prior to beginning installation. If you have any questions call the customer service number listed below. Please refer to the warranty card inside this package.

## DANGER:

Prior to installation, consult with all local municipal codes regarding installation of temporary shelters. Choose the location of your shelter carefully. **DANGER: Keep away from electrical wires.** Check for overhead utility lines, tree branches or other structures. Check for underground pipes or wires before you dig. DO NOT install near roof lines or other structures that could shed snow, ice or excessive run off onto your shelter. DO NOT hang objects from the roof or support cables.



## WARNING:

Risk of fire. DO NOT smoke or use open flame devices (including grills, fire pits, deep fryers, smokers or lanterns) in or around the shelter. DO NOT store flammable liquids (gasoline, kerosene, propane, etc.) in or around your shelter. Do not expose top or sides of the shelter to open fire or other flame source.



## CAUTION:

Use **CAUTION** when erecting the frame. Use safety goggles during installation. Secure and bolt together overhead poles during assembly. Beware of pole ends.

## PROPER ANCHORING AND INSTALLATION OF FRAME:

### PROPER ANCHORING OF THE FRAME IS THE RESPONSIBILITY OF THE CONSUMER.

**ShelterLogic® Corp.** is not responsible for damage to the unit or the contents from acts of nature. Any shelter that is not anchored securely has the potential to fly away causing damage, and is not covered under the warranty. Periodically check the anchors to ensure stability of shelter. **ShelterLogic® Corp.** cannot be responsible for any shelter that blows away. **NOTE:** *Your shelter's cover can be quickly removed and stored prior to severe weather conditions.* If strong winds or severe weather is forecast in your area, we recommend removal of cover.

## REPLACEMENT PARTS, ASSEMBLY, SPECIAL ORDERS:

Genuine **ShelterLogic® Corp.** replacement parts and accessories are available from the factory, including anchoring kits for nearly any application, replacement covers, wall and enclosure kits, vent and light kits, frame parts, zippered doors and other accessories. All items are shipped factory direct to your door.

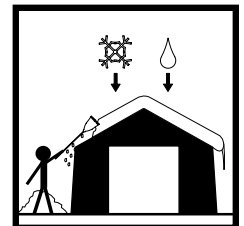
**QUESTIONS - CLAIMS - SPECIAL ORDERS? CALL OUR CUSTOMER SERVICE HOTLINE:**

**U.S. CUSTOMER SERVICE: 1-800-524-9970 INTERNATIONAL CUSTOMER SERVICE: 001-860-945-6442 CANADA CUSTOMER SERVICE: 1-800-559-6175**

**HOURS OF OPERATION: MON-FRI 8:30AM-8:00PM EST, SAT-SUN 8:30AM-5:00PM EST.**

## CARE AND CLEANING:

A tight cover ensures longer life and performance. Always maintain a tight cover. Loose fabric can accelerate deterioration of cover fabric. Immediately remove any accumulated snow or ice from the roof structure with a broom, mop or other soft-sided instrument. Use extreme caution when removing snow from cover- always remove from outside the structure. DO NOT use hard-edged tools or instruments like rakes or shovels to remove snow. This could result in punctures to the cover. DO NOT use bleach or harsh abrasive products to clean the fabric cover. Cover is easily cleaned with mild soap and water.



## WARRANTY:

This shelter carries a full limited warranty against defects in workmanship. **ShelterLogic® Corp.** warrants to the Original Purchaser that if properly used and installed, the product and all associated parts, are free from manufacturer's defects for a period of:

**1 YEAR FOR COVER FABRIC, END PANELS AND FRAMEWORK.**

Warranty period is determined by date of shipment from **ShelterLogic® Corp.** for factory direct purchases or date of purchase from an authorized reseller, (please save a copy of your purchase receipt). If this product or any associated parts are found to be defective or missing at the time of receipt, **ShelterLogic® Corp.** will repair or replace, at it's option, the defective parts at no charge to the original purchaser. Replacement parts or repaired parts shall be covered for the remainder of the Original Limited Warranty Period. All shipping costs will be the responsibility of the customer. Parts and replacements will be sent C.O.D. You must save the original packaging materials for shipment back. If you purchased from a local dealer, all claims must have a copy of original receipt. After purchase, please fill out and return warranty card for product registration. Please see warranty card for more details.

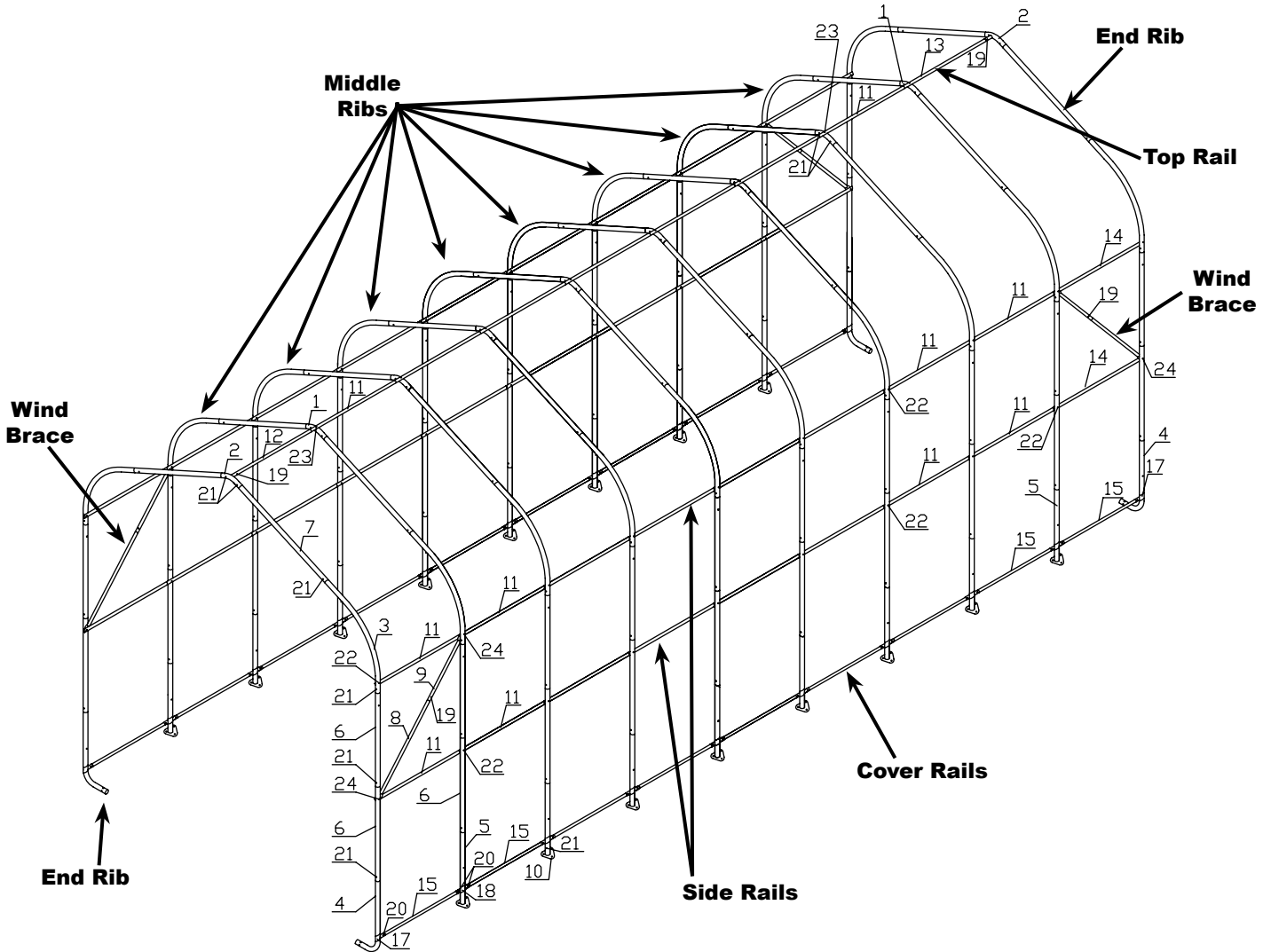
Covered by U.S. Patents and patents pending: 6,871,614; 6,994,099; 7,296,584; D 430,306; D 415,571; D 414,564; D 409,310; D 415,572

090111

# 14'W x 16'H Peak Style Frame Assembly

Please read and understand instructions completely before assembly.

Lay out frame parts as shown.



Assembly Reference #	Mfg. Part #	Assembly Reference #	Mfg. Part #
1	11002	14	11104
2	11008	15	11105
3	11013	17	11106
4	11016	18	11107
5	11019	19	00648
6	11056	20	11130
7	11071	21	11131
8	11005	22	800454
9	11095	23	11133
10	11270	24	800372
11	11102	25	11134
12	11103		
13	11101		

**ATTENTION:**  
**FOR MISSING OR REPLACEMENT PARTS OR QUESTIONS, PLEASE CONTACT CUSTOMER SERVICE:**  
**1.800.524.9970**  
**CANADA 1.800.559.6175**



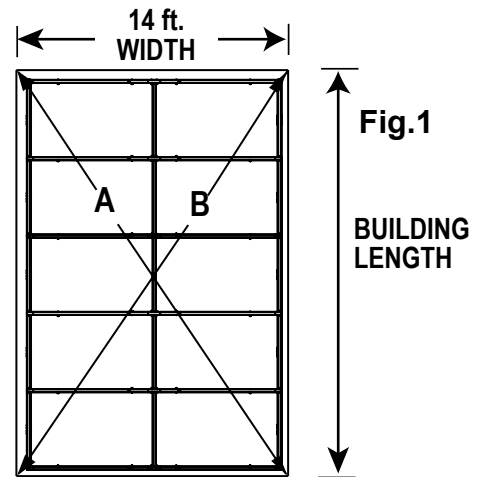
**NOTE: FRAME EXTENSION KIT**

Your model may have more middle ribs than shown in the illustration on pg.3. You will receive one extra rib for every extra 4 ft. of building length that you purchase. The basic frame assembly will remain the same. The cover will be the correct size for the length of the building you purchased.

**1. PLOTTING THE FRAME:**

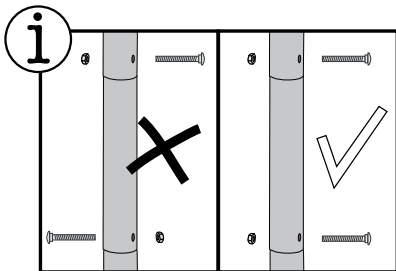
Before building your shelter, you should choose a flat area on your property and plot your shelter.

- A. Stake out the area for the shelter in the desired spot. The width of the area should be at least equal to the width of the shelter and the length should be equal to the length ("L") of the shelter **Fig. 1**.
- B. To be sure the staked area is square tie a rope diagonally from corner to corner.
- C. Measure diagonally from corner to corner (A & B). These measurements should be the same. If they are not equal the stakes need to be adjusted until the width, length and inside measurements are correct.

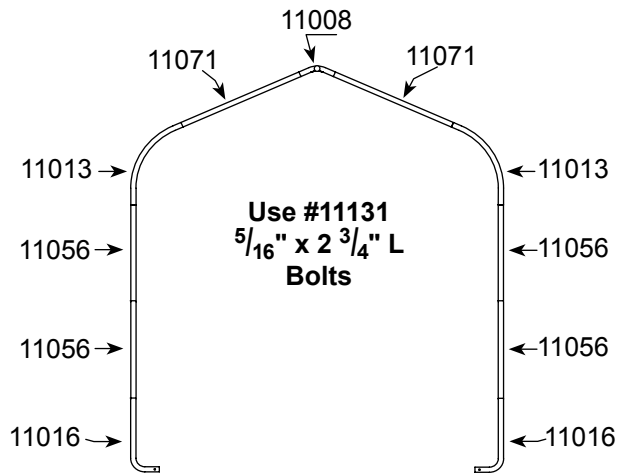


**2. ASSEMBLE END RIBS**

Assemble end ribs as shown in **Fig. 2**. Securely fasten all of the joints with the hardware indicated.



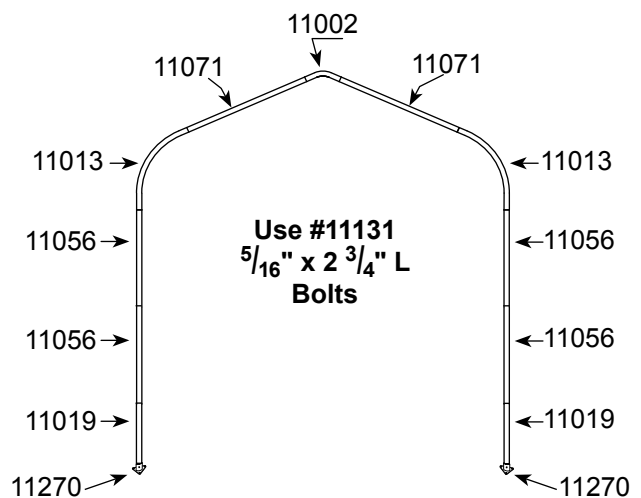
**Fig.2**



**3. ASSEMBLE MIDDLE RIBS**

Assemble middle ribs as shown in **Fig. 3**. Securely fasten all of the joints with the hardware indicated.

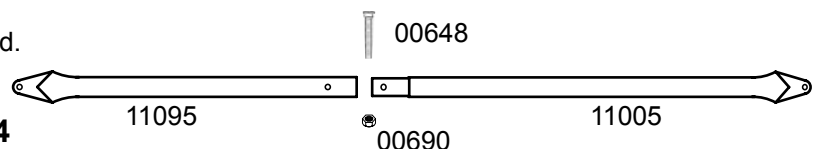
**Fig.3**



**4. ASSEMBLE WIND BRACES**

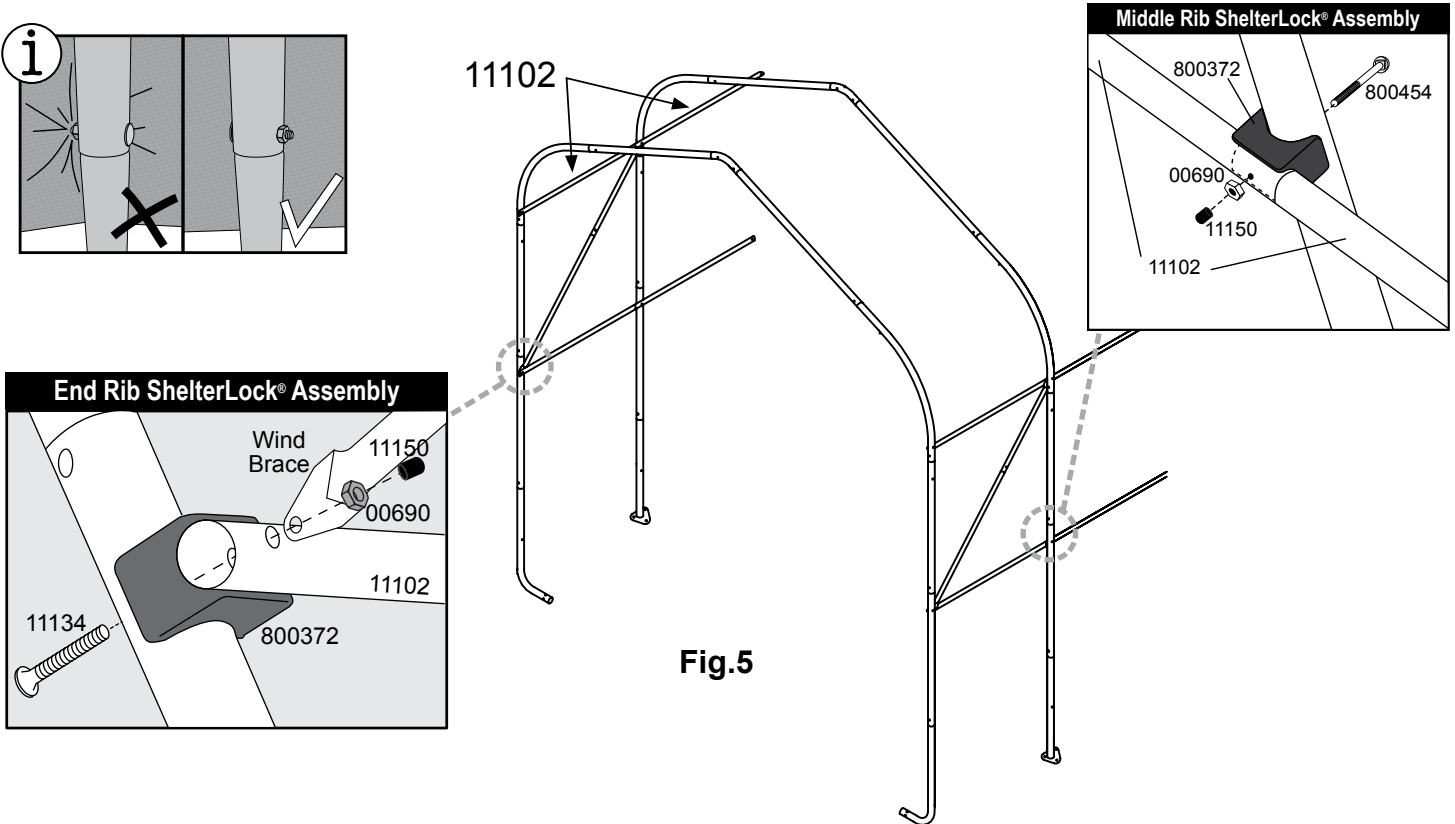
Assemble all of the wind braces as shown in **Fig. 4**. Securely fasten the joints with the hardware indicated.

**Fig.4**



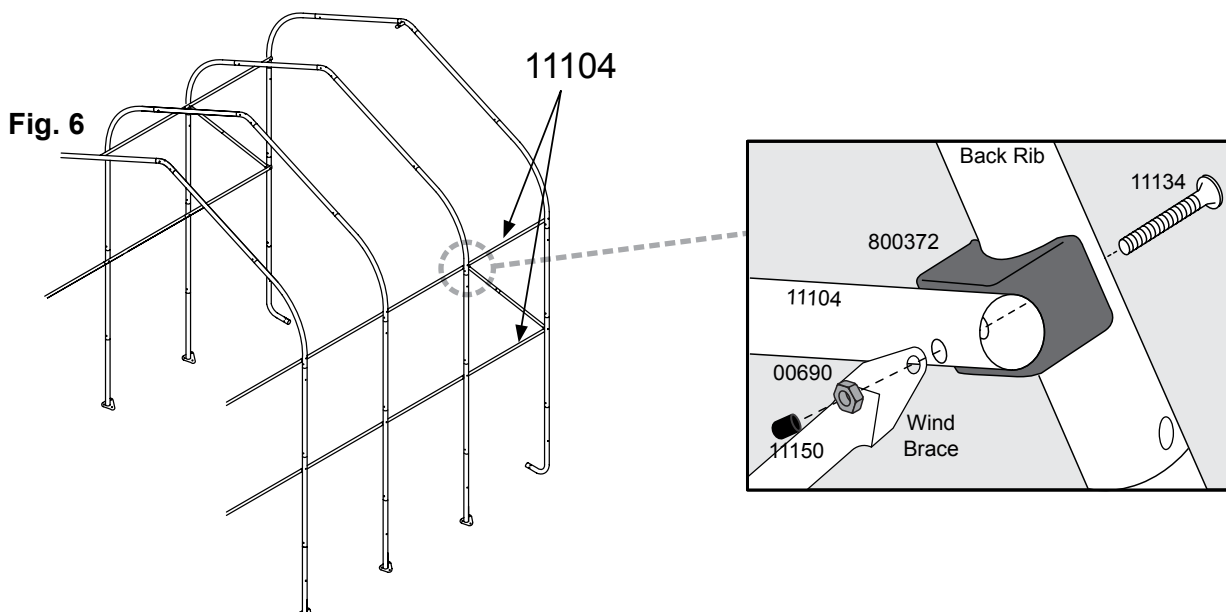
## 5. CONNECT THE FRONT END RIB TO THE MIDDLE RIBS

- A. With help, move the front end rib into the desired staked area.
- B. Place the ShelterLock® (800372) on the upright as shown in Fig. 5.
- C. From the outside of the rib insert the bolt through the upright and then through the ShelterLock®.
- D. Place the plain end of a Cross Rail (11102) over the bolt and nest it into the ShelterLock®.
- Repeat steps A-D for the each of the middle ribs.**
- E. Place the wind brace over the Cross Rail. Install the nut onto the bolt and tighten.



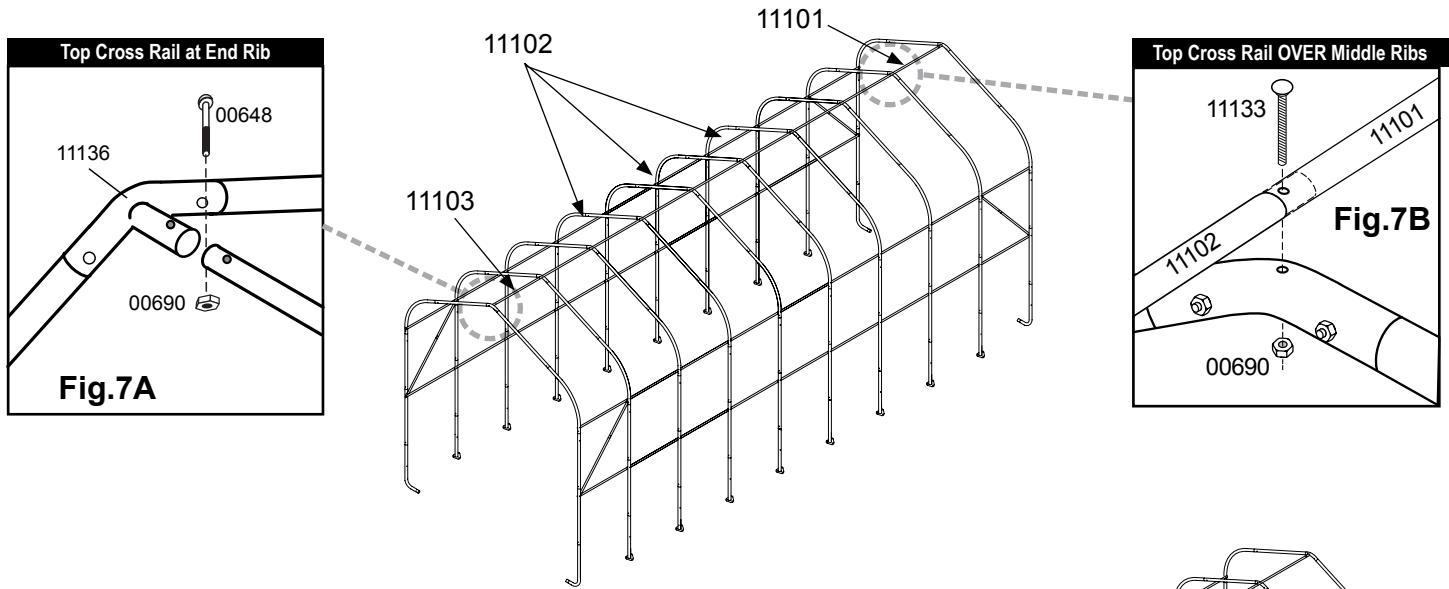
## 6. CONNECT THE BACK END RIB

The Cross Rails for the last rib will have two plain ends (11104).  
Take the wind brace and attach it between the end rib and the last middle rib as shown in Fig. 6.



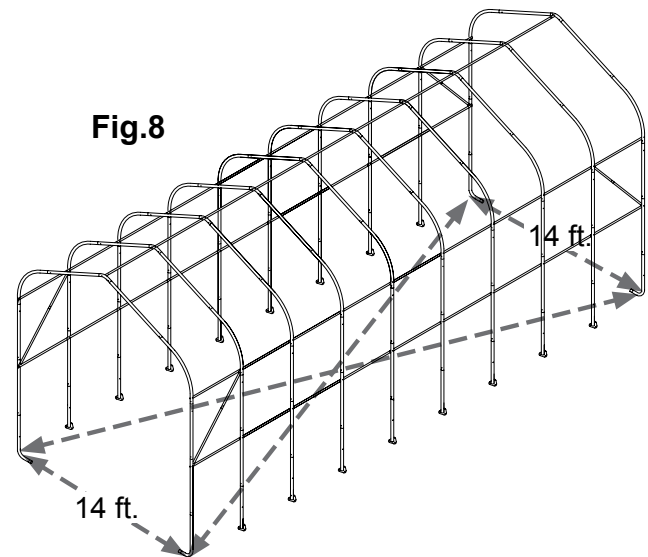
## 7. INSTALL TOP CROSS RAIL

- A. Connect the first cross rail (#11103) to the front end rib and secure it with a 2 inch. bolt (#00648) as shown in Fig. 7A. **HAND-TIGHTEN this bolt.**
- B. Connect the middle cross rails (#11102) to the first cross rail. Lay them over the top of the middle ribs and connect using round head bolt (#11133). Fig. 7B.
- C. Connect rail #11101 to complete the top cross rail. Connect to end rib with bolt #00648. Fig. 7A.



## 8. SQUARING UP THE FRAME

- A. Be sure that frame in its final location, which needs to be as flat and level as possible.
  - B. Measure across opposite corners.
- These distances must be equal to within 1 inch.**
- C. Check that the front and rear of the frame measures 14 feet in width.



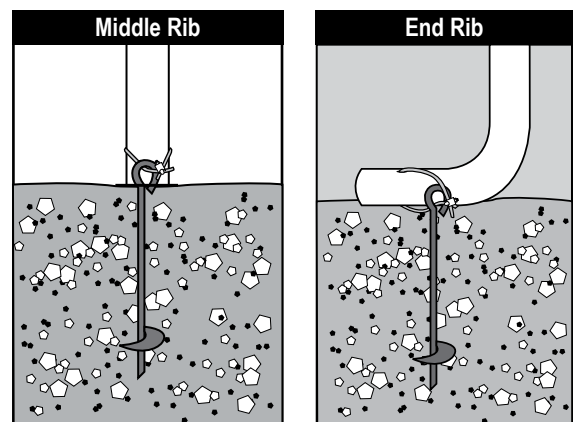
## 9. INSTALL AUGER ANCHORS

- A. Anchors must be placed inside shelter at the corner legs. Insert a 3/4-inch pipe or steel rod through the eyelet of the auger and turn the anchor clockwise until the eyelet is sticking out of the ground 1 to 2 inches allowing room to be anchored to the legs.
- B. Thread cable provided through the eyelet of the Anchor as indicated in figure 9. Secure the cable with the clamps provided.

*If the ground is too hard, dig a hole with a shovel or post hole tool. Optional: Fill with cement.*

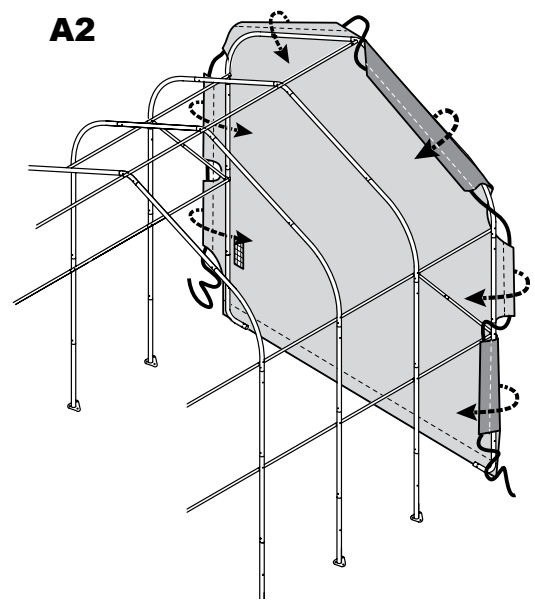
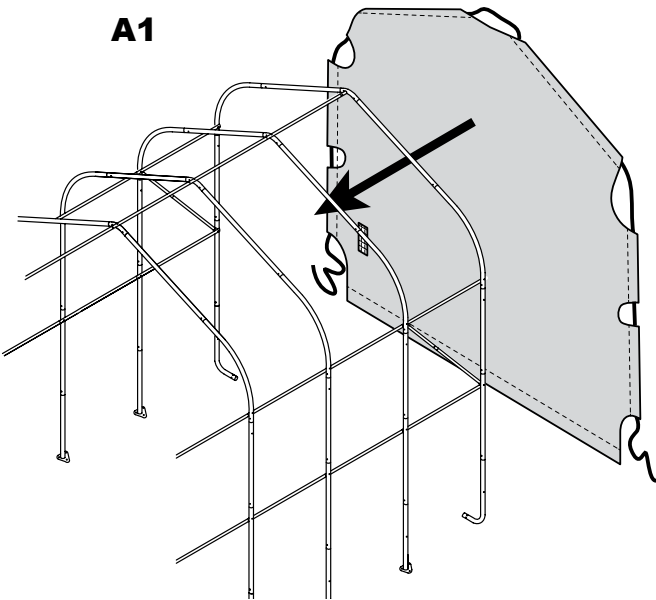
**If you are anchoring in gravel, clay, or asphalt, ShelterLogic® recommends the Easy Hook™ Drive Anchors. Use one at each leg for a stronger, more secure installation.**

Fig.9

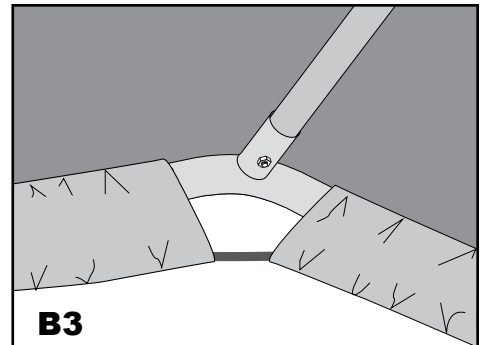
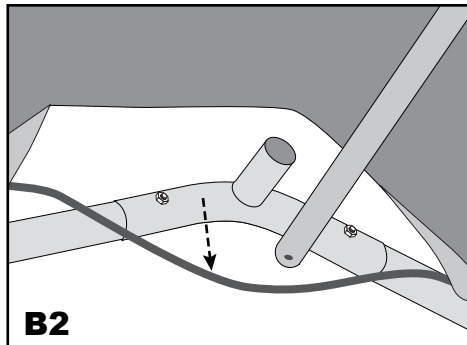
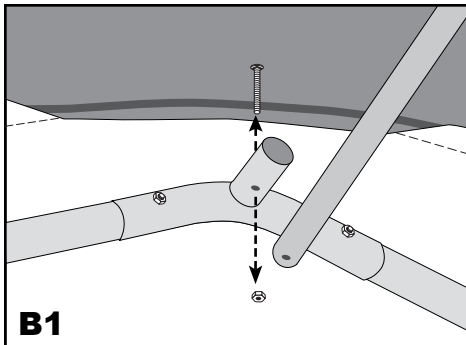


## 10. DOOR PANEL AND BACK PANEL INSTALLATION

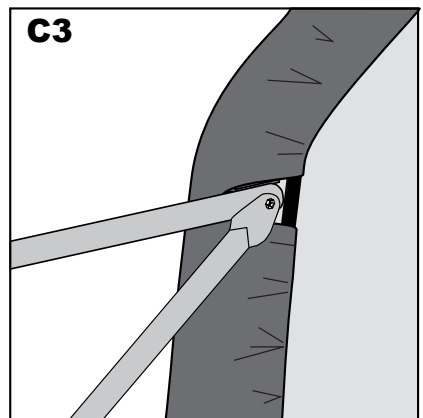
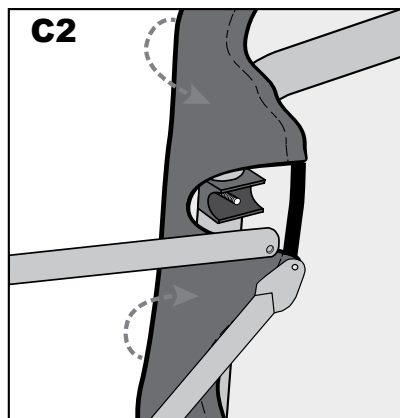
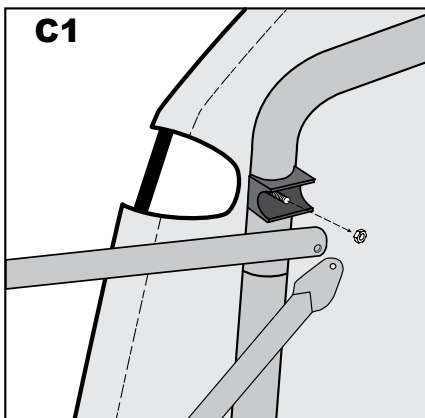
- A. (1) Hold end panel at the top center with white inner surface facing inside of the shelter. (2) Wrap the edges of the fabric panel around the end rib and line up the cross rails with the pre made slits in the fabric.



- B. (1) Disconnect top cross rail (the horizontal pipe that runs from front to back along the top) from the end rib. (2) Pull the end panel over the end rib and bring the end of the cross rail through the cut slit in the panel. (3) Reattach the top cross rail to the end rib.

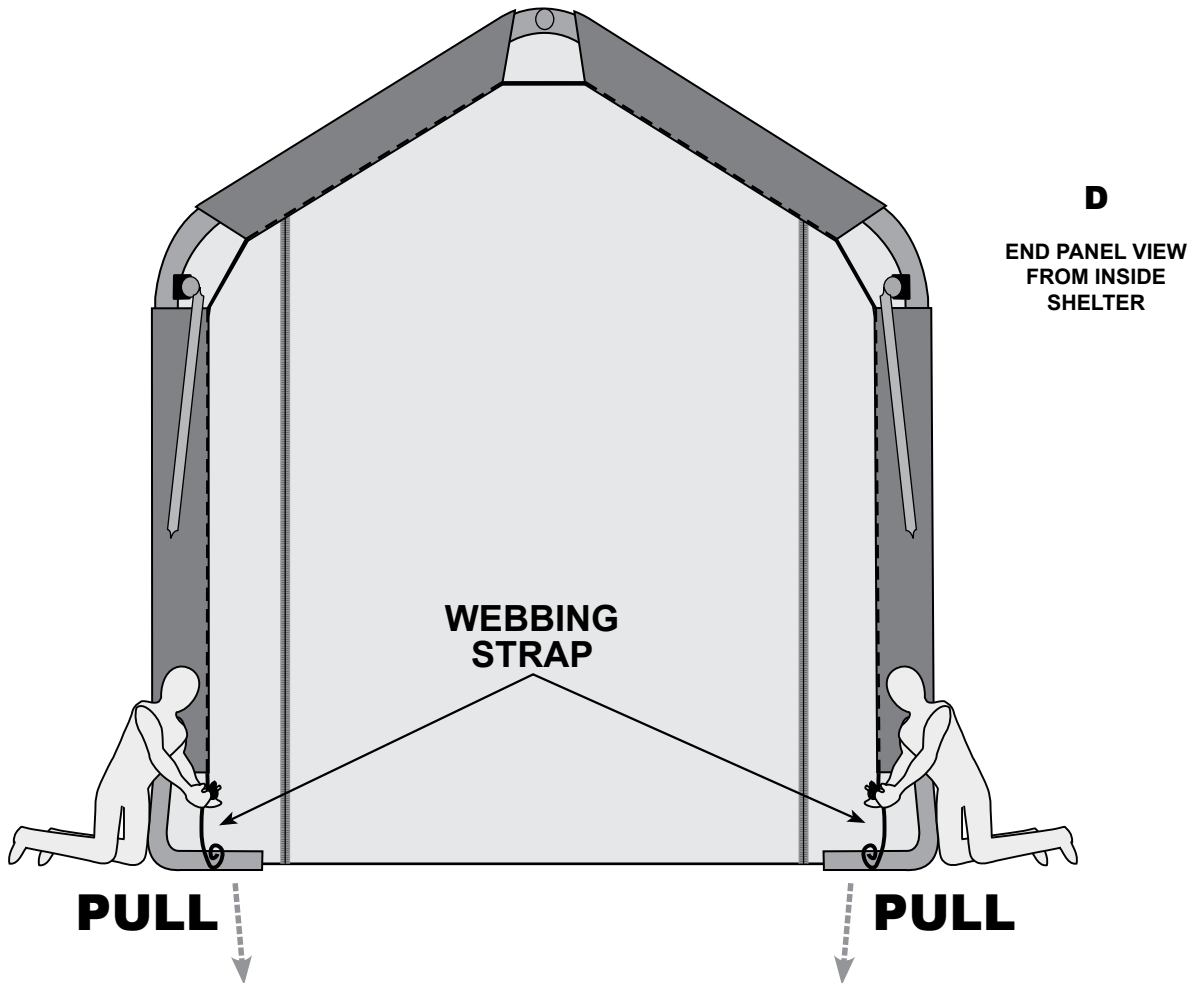


- C. (1) Disconnect side cross rail from the end rib. Leave the ShelterLock® attached to the rib with the bolt. (2) Pull the end panel over the end rib and bring the end of the cross rail through the cut slit in the panel. (3) Reattach the side cross rail to the end rib.



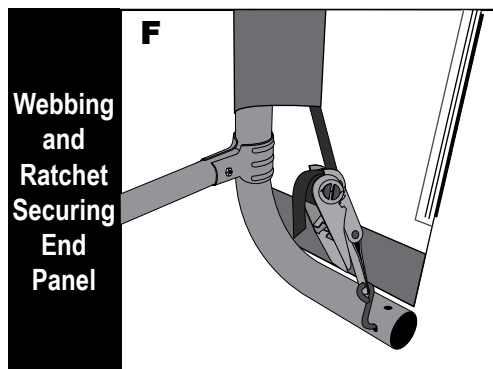
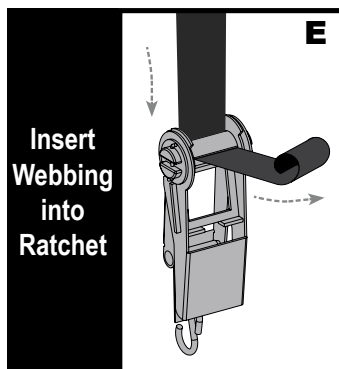
## 10. DOOR PANEL INSTALLATION - continued

D. At the bottom, where the webbing exits the pocket on each side of end panel, pull webbing as you would a drawstring to remove the slack. **Be careful not to pull the webbing strap out of the webbing pocket.**



E. Insert the “S”- Hook on ratchet into hole on the leg bend. Insert the webbing into the spindle of the ratchet and pull tight. Wind the ratchet so that the webbing overlaps itself. *Position the end panel so that it is centered on the building before fully tightening the end panel.*

F. Tighten ratchets, alternating from one side to the other, until the end panel is tight. **NOTE: Keep Zippers closed when tightening end panels.**





## 11. INSTALLING THE COVER ON THE FRAME

**A.** Lay the cover on the ground next to the frame with the inside of the cover (the side with the pipe pockets) facing down and the webbing on the front and rear of the corner of the building. Position the cover so that it is centered to the frame, front to back. Fig. 11A

**B.** Fold over the side closest to the frame so the pipe pocket is now accessible. Insert a cover pipe at the first middle rib from the front and the first middle rib from the rear so that it is inserted in the pipe pocket on both ends of the pipe but the center of the pipe is exposed. For long buildings it may be necessary to use additional pipes in the middle. Fig. 11B.

**C.** Tie the rope on each of the exposed pipes and throw the other end of the rope over the frame. Fig. 11C.

**D.** Move to the other side of the frame and pull the cover over the frame with the rope. This may require two or more people. Fig. 11D.

END PANELS  
NOT SHOWN  
FOR CLARITY.

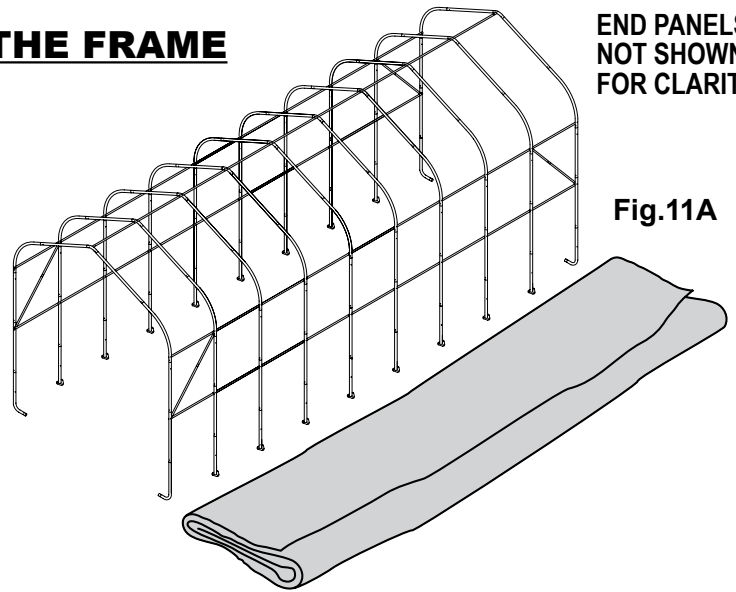


Fig.11A

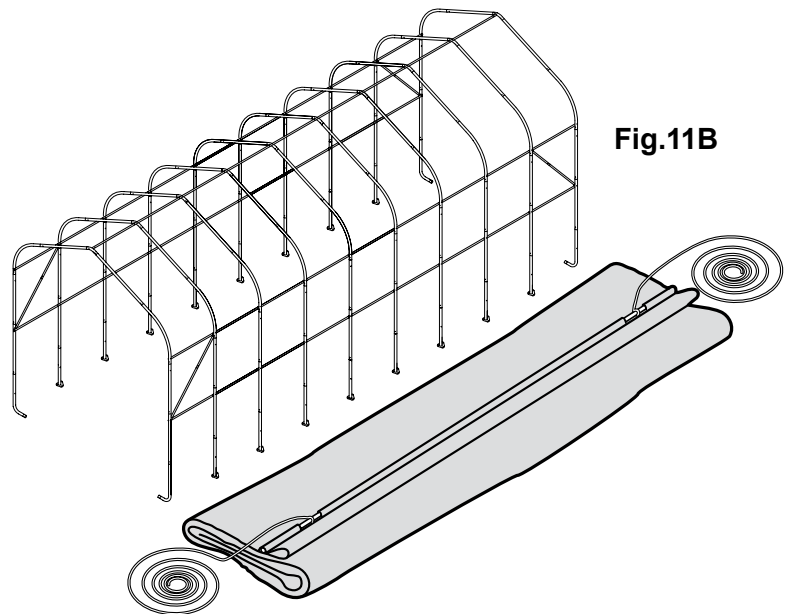


Fig.11B

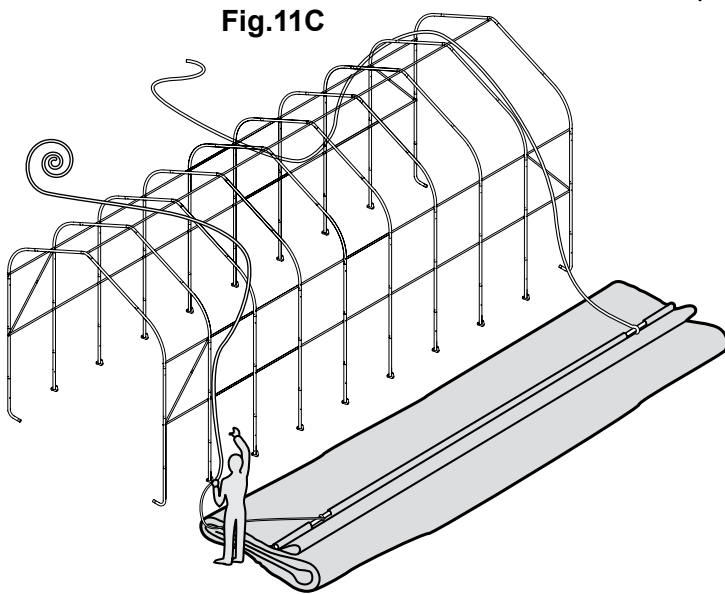


Fig.11C

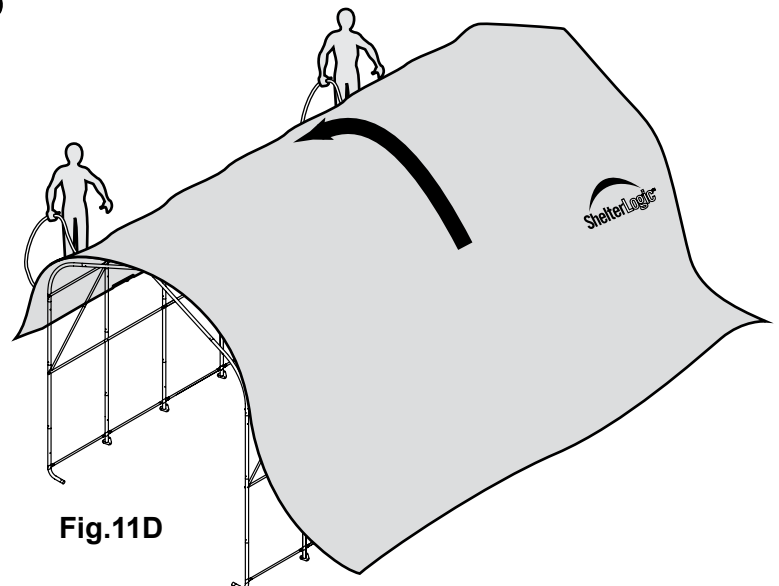


Fig.11D

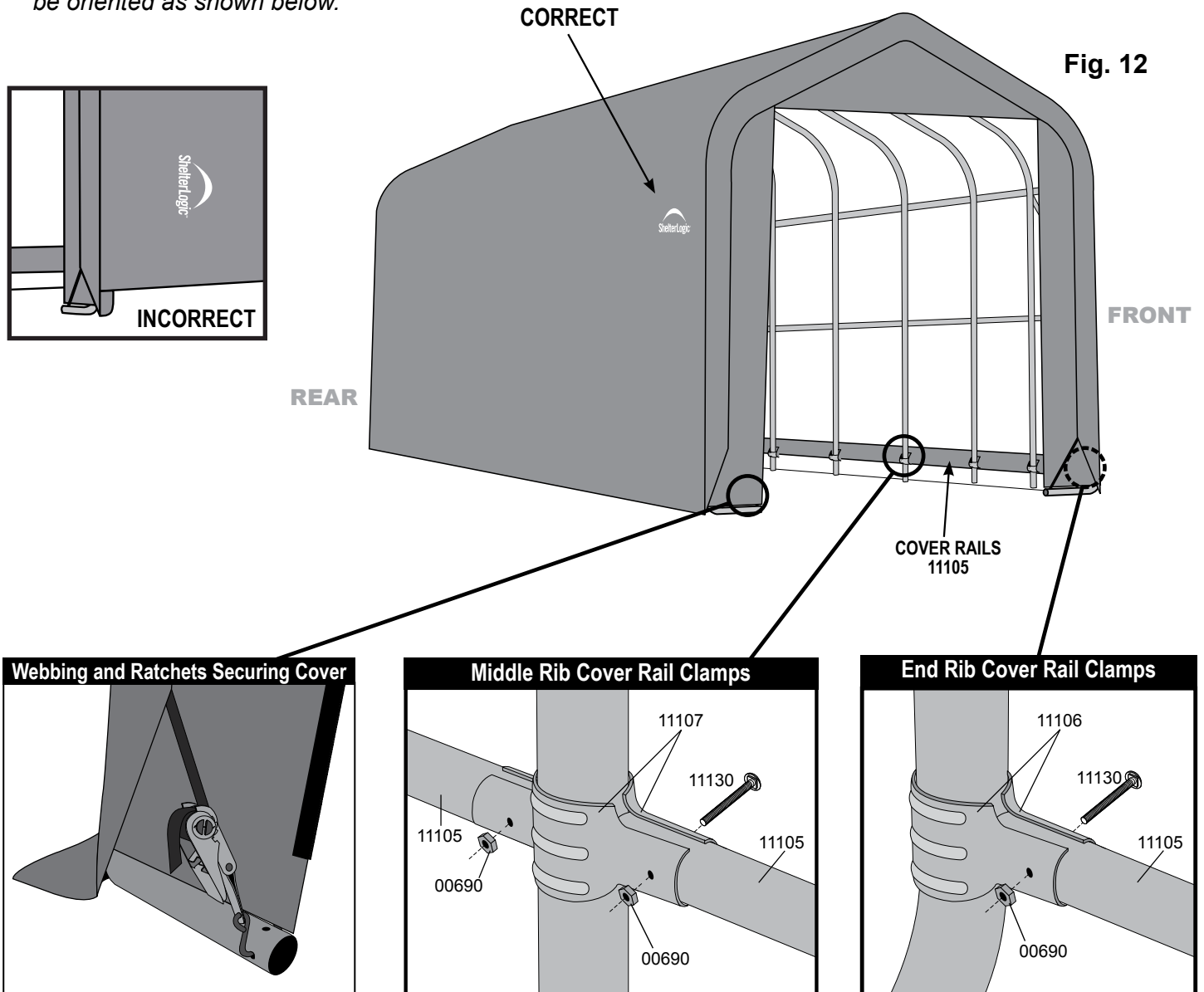
**NOTE: CHECK THAT YOUR COVER IS CORRECTLY PLACED ON THE FRAME.**

*The ShelterLogic® logo should line up on the left front and right rear corners near the top rail. If the logo is not legible, the cover has not been put on the frame correctly.*

## 12. INSTALLING COVER AND COVER RAILS

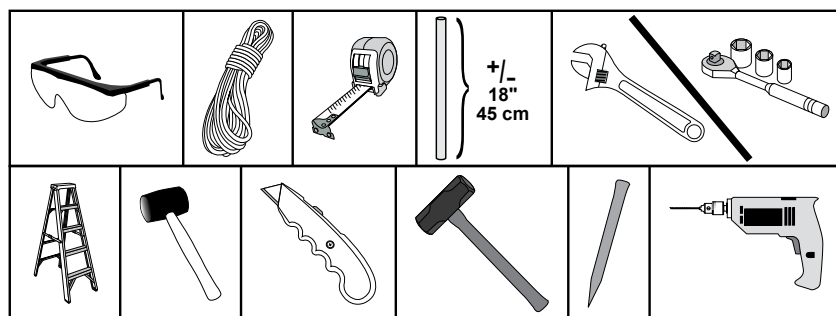
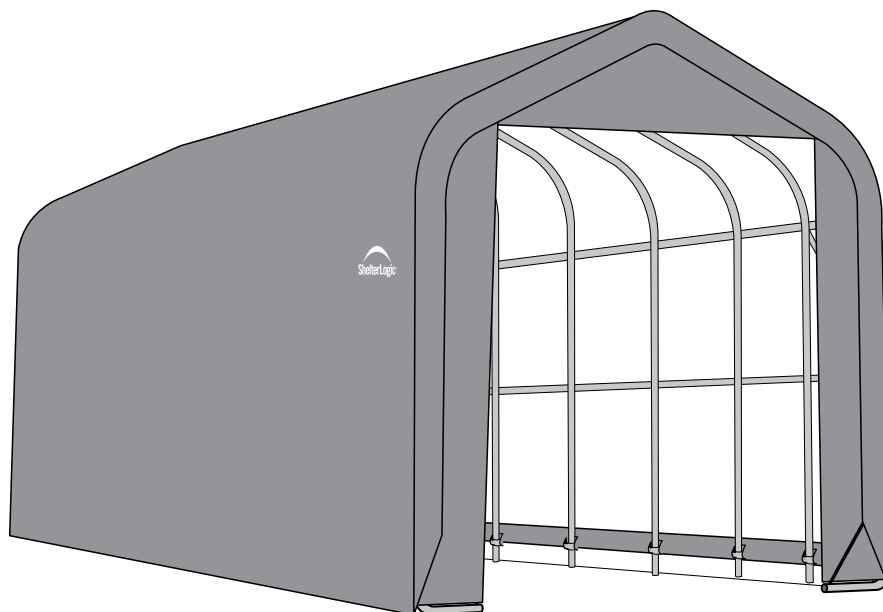
- A. Make sure cover is centered on frame. There should be an equal amount of overhang at all four corners.
- B. Insert the "S"- Hook on ratchet into hole on the leg bend. Insert the webbing into the spindle of the ratchet and pull tight. Wind the ratchet so that the webbing overlaps itself.
- C. Slide cover rails (#11105) through fabric pockets at each leg and reattach with clamps to each leg. Repeat this on other side. Push down on cover rails to tighten cover, before tightening bolts completely.
- D. Check and tighten Ratchets and Cover Rails monthly to ensure the cover is tight.

**NOTE:** The *ShelterLogic*® logo should be oriented as shown below.



# Abri à toit pointu, 4,3 m (larg.) x 4,9 m (haut.)

## Guide d'assemblage



**Veillez lire TOUTES les instructions avant d'entreprendre l'assemblage. Cet abri DOIT être bien ancré. CECI EST UNE STRUCTURE TEMPORAIRE, IL N'EST PAS RECOMMANDÉ D'EN FAIRE UNE STRUCTURE PERMANENTE.**

**Avant de commencer :** Il faut 2 personnes ou plus pour le montage qui prend environ 3 heures.

Le temps de montage dépend de la longueur de votre bâtiment.

Veillez prévoir environ 15 minutes pour chaque pied de longueur du bâtiment.

  
**ShelterLogic®**  
150 Callender Road  
Watertown, CT 06795  
www.shelterlogic.com

**1-800-524-9970**

Canada:

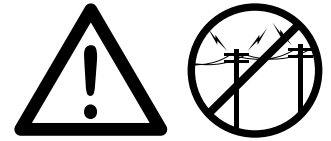
**1-800-559-6175**

## ATTENTION :

Cet abri est fabriqué avec des matériaux de qualité. Il est conçu en fonction de la toile adaptée **ShelterLogic® Corp.** fournie. Les abris **ShelterLogic® Corp.** offrent de l'espace de rangement et de la protection contre les dommages causés par le soleil, la pluie légère, la sève, les excréments d'animaux ou d'oiseaux et la neige légère. Veuillez ancrer adéquatement cette structure **ShelterLogic® Corp.** Consultez le guide pour connaître les détails sur l'ancrage. Il incombe à l'utilisateur d'assurer un ancrage adéquat et de garder la toile bien tendue et exempte de neige ou de débris. Veuillez lire et vous assurer de bien comprendre les détails de l'installation, les avertissements et les mises en garde avant d'entreprendre l'installation. Pour toute question, téléphonez au service à la clientèle au numéro ci-dessous. Veuillez aussi consulter la fiche de garantie se trouvant dans l'emballage.

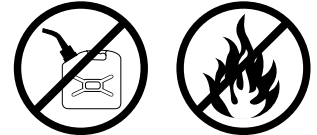
## DANGER :

Avant d'entreprendre l'installation, vérifiez tous les règlements municipaux concernant les abris temporaires. Choisissez soigneusement l'emplacement de l'abri. **DANGER : Tenez-vous éloigné des fils électriques.** Évitez les lignes électriques, les branches d'arbres et les autres types de structures. Avant de creuser, vérifiez la présence de tuyaux ou de fils enfouis. N'installez PAS cet abri à proximité d'un toit ou de toute autre structure pouvant laisser tomber de la neige, de la glace ou des débris. Ne suspendez AUCUN objet au toit ou aux câbles de soutien.



## AVERTISSEMENT :

Risque d'incendie. Ne fumez PAS et n'utilisez AUCUN dispositif produisant des flammes (p. ex., un barbecue, un foyer, une friteuse, un fumoir ou une lanterne) à proximité de l'abri. Ne rangez PAS des liquides inflammables (essence, kérosène, propane, etc.) à proximité de l'abri. N'exposez pas le dessus ou les parois de l'abri au feu ou à toute source d'incendie.



## ATTENTION :

Soyez PRUDENT au moment de monter l'armature. Portez des lunettes de sécurité durant l'installation. Boulonnez les mâts supérieurs durant l'assemblage. Prenez garde aux extrémités des mâts.

## ANCRAGE ET INSTALLATION DE L'ARMATURE :

### IL INCOMBE À L'UTILISATEUR D'ASSURER L'ANCRAGE ADÉQUAT DE L'ARMATURE.

**ShelterLogic® Corp.** n'assume aucune responsabilité pour les dommages causés à l'abri ou à son contenu par les catastrophes naturelles. Tout abri n'étant pas ancré solidement risque de s'envoler et de causer des dommages, ce qui n'est pas couvert par la garantie. Vérifiez périodiquement les ancrages pour assurer la stabilité de l'abri. **ShelterLogic® Corp.** ne peut être tenue responsable d'un abri qui s'envole. **REMARQUE :** La toile de l'abri peut être retirée rapidement pour être entreposée en prévision de mauvais temps. Si des vents forts ou du mauvais temps sont prévus pour votre région, nous vous recommandons d'enlever la toile de l'abri.

## PIÈCES DE RECHANGE ET COMMANDES SPÉCIALES :

Des pièces de rechange et des accessoires d'origine **ShelterLogic® Corp.** sont disponibles à l'usine, notamment des nécessaires d'ancrage pour presque toute utilisation, des toiles de rechange, des ensembles de parois, des nécessaires d'aération ou d'éclairage, des pièces d'armature, des portes à glissière, etc. Tous ces articles sont expédiés directement chez vous à partir de l'usine.

## QUESTIONS, RÉCLAMATIONS OU COMMANDES SPÉCIALES – LIGNE D'AIDE DU SERVICE À LA CLIENTÈLE :

ÉTATS-UNIS : 1-800-524-9970

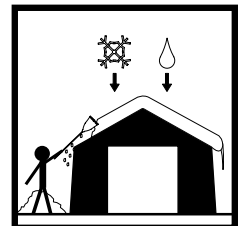
SERVICE À LA CLIENTÈLE INTERNATIONAL : 001-860-945-6442

CANADA : 1-800-559-6175

HEURES D'OUVERTURE : DU LUNDI AU VENDREDI DE 8 H 30 À 20 H (HE), SAMEDI ET DIMANCHE DE 8 H 30 À 17 H (HE)

## ENTRETIEN ET NETTOYAGE :

Une toile bien tendue assure une longue durée utile. Gardez toujours la toile bien tendue. Une toile desserrée accélère la détérioration du tissu. Enlevez sans attendre toute accumulation de débris sur le toit à l'aide d'un balai, d'une vadrouille ou d'un autre outil souple. Soyez très prudent au moment d'enlever la neige de la toile. Enlevez-la toujours à partir de l'extérieur de la structure. N'utilisez PAS d'outils rigides comme des râteaux ou des pelles pour enlever la neige, car ils risqueraient de perforer la toile. N'utilisez PAS de javellisants ou d'abrasifs pour nettoyer la toile. Utilisez tout simplement de l'eau savonneuse pour nettoyer la toile.



## GARANTIE :

Cet abri offre une garantie limitée contre les défauts de fabrication. **ShelterLogic® Corp.** garantit à l'acheteur initial que s'il est installé et utilisé adéquatement, cet article et toutes ses pièces sont exempts de défaut de fabrication pendant une période de :

### 1 AN POUR LA TOILE, LES PANNEAUX D'EXTRÉMITÉ ET L'ARMATURE.

La période de garantie est calculée à partir de la date d'expédition par **ShelterLogic® Corp.** pour les achats faits directement à l'usine ou de la date d'achat chez un revendeur autorisé (veuillez conserver votre reçu d'achat). Si cet article ou une de ses pièces est jugé défectueux ou qu'il est manquant au moment de la réception, **ShelterLogic® Corp.** réparera ou remplacera, à sa discrétion, toute pièce défectueuse sans frais pour l'acheteur initial. Toute pièce remplacée ou réparée demeure couverte durant le reste de la période de garantie limitée initiale. Tous les frais d'expédition sont à la charge du client. Les pièces et les composants de rechange sont expédiés contre remboursement. Veuillez conserver le matériel d'emballage initial pour l'envoi de retour. Pour les achats faits chez un marchand local, toute réclamation doit être accompagnée d'une copie du reçu initial. Après l'achat, veuillez remplir et expédier la fiche de garantie pour inscrire l'article. Veuillez consulter la fiche de garantie pour obtenir de plus amples renseignements.

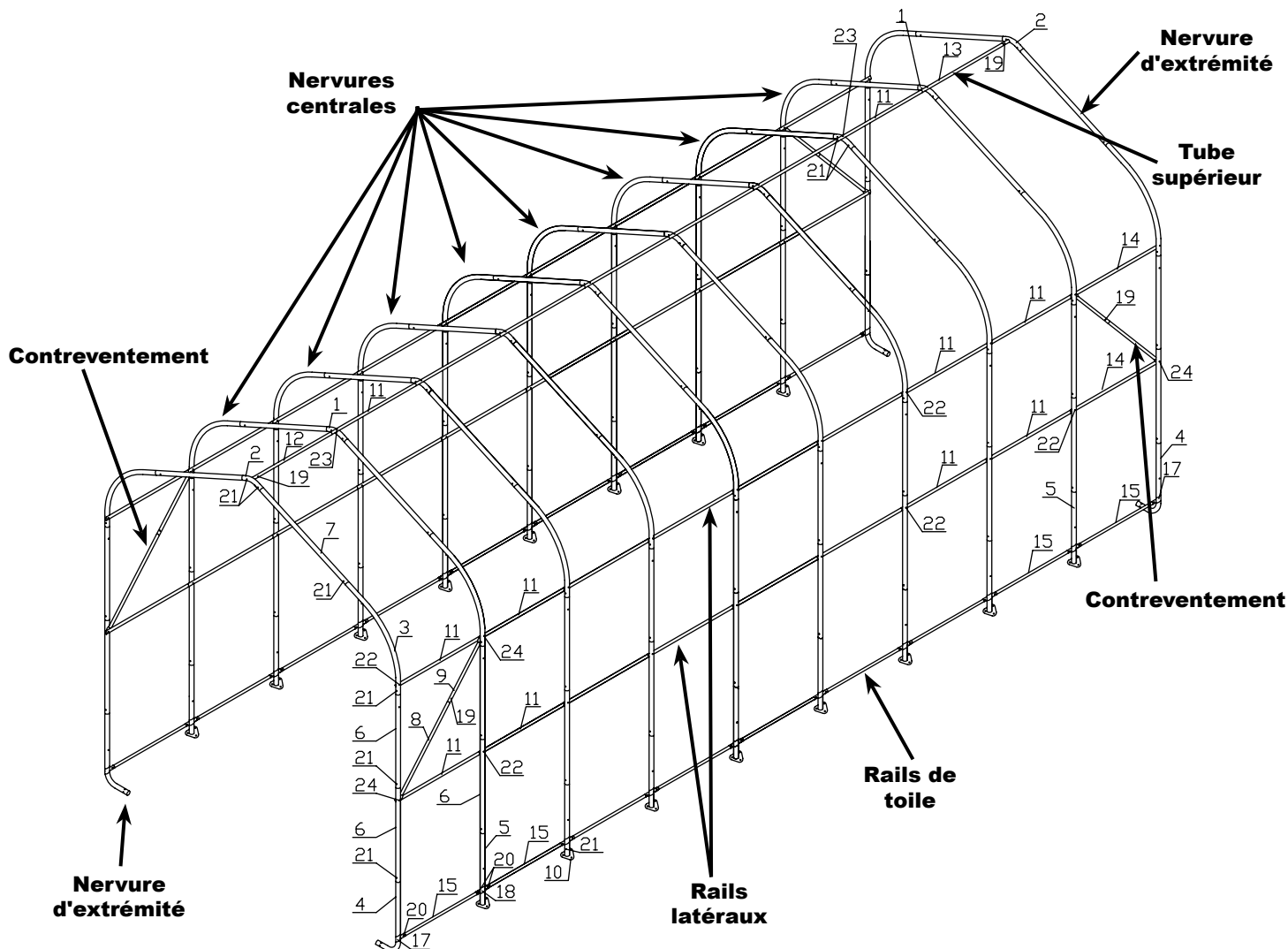
Brevets Américains et brevets en instance : 6,871,614; 6,994,099; 7,296,584; D 430,306; D 415,571; D 414,564; D 409,310; D 415,572

090111

# Abri à toit pointu, 4,3 m (larg.) x 4,9 m (haut.) - Assemblage de l'armature

Veillez lire et vous assurer de bien comprendre TOUTES les instructions avant d'entreprendre l'assemblage.

Étalez les pièces de l'armature, comme le montre l'illustration.



N° d'assemblage	N° de pièce	N° d'assemblage	N° de pièce
1	11002	14	11104
2	11008	15	11105
3	11013	17	11106
4	11016	18	11107
5	11019	19	00648
6	11056	20	11130
7	11071	21	11131
8	11005	22	800454
9	11095	23	11133
10	11270	24	800372
11	11102	25	11134
12	11103		
13	11101		

**ATTENTION :**  
**EN CAS DE PIÈCE MANQUANTE**  
**ET POUR TOUTE PIÈCE DE**  
**RECHANGE OU TOUTE QUESTION,**  
**VEUILLEZ COMMUNIQUER AVEC**  
**LE SERVICE À LA CLIENTÈLE :**  
**1.800.524.9970**  
**CANADA 1.800.559.6175**



## REMARQUE: NÉCESSAIRE DE RALLONGE D'ARMATURE

Votre abri peut comporter davantage de nervures centrales que l'illustration de la page 13. Vous recevez une nervure additionnelle pour chaque section supplémentaire de 1,2 m. L'assemblage de l'armature de base reste le même. La taille de la toile correspondra à la longueur de l'abri.

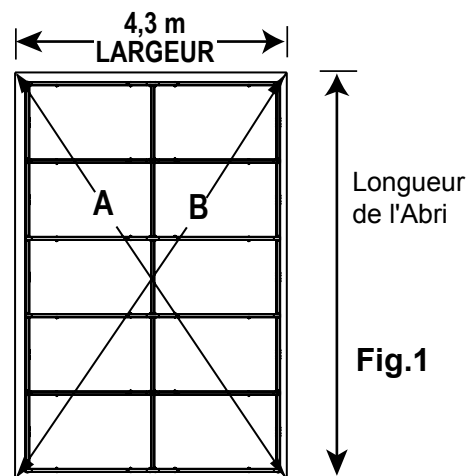
### 1. TRACEZ L'EMPLACEMENT.

Avant d'assembler l'abri, vous devez choisir une surface plane et y tracer son emplacement.

**A.** Piquez l'emplacement de l'abri à l'endroit choisi. La largeur de l'emplacement doit être au moins égale à la largeur de l'abri et sa longueur, à celle de l'abri (fig. 1).

**B.** Pour s'assurer que l'emplacement piqueté se trouve en équerre, fixez une corde en diagonale entre les coins.

**C.** Mesurez la distance en diagonale entre les coins (A et B). Cette distance doit être égale dans tous les cas. Sinon, les piquets doivent être déplacés jusqu'à ce que la largeur, la longueur et les mesures soient correctes.



### 2. ASSEMBLEZ LES NERVURES D'EXTRÉMITÉ

Assemblez les nervures d'extrémité comme le montre la fig. 2. Serrez bien tous les joints avec les fixations illustrées.

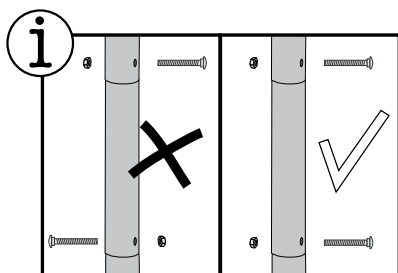
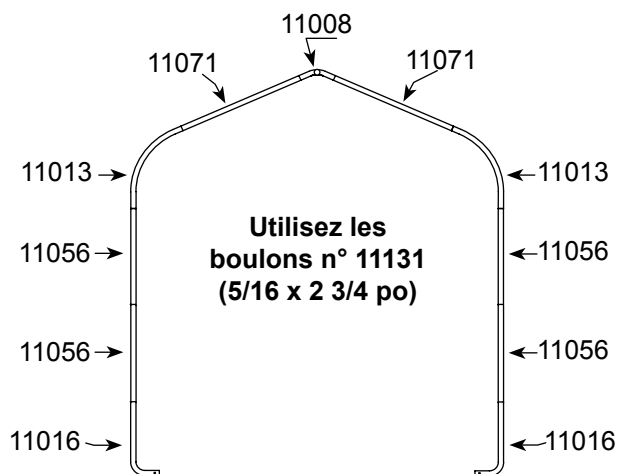


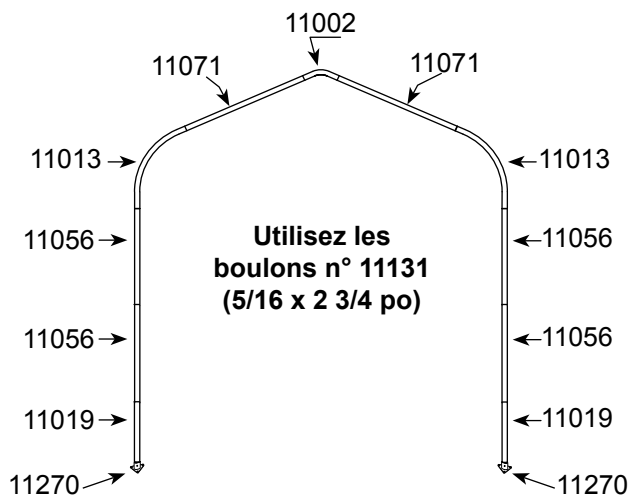
Fig.2



### 3. ASSEMBLEZ LES NERVURES CENTRALES

Assemblez les nervures centrales comme le montre la fig. 3. Serrez bien tous les joints avec les fixations illustrées.

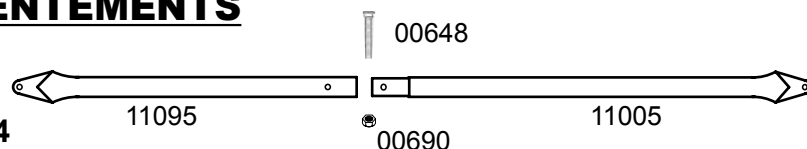
Fig.3



### 4. ASSEMBLEZ LES CONTREVENTEMENTS

Assemblez tous les contreventements comme le montre la fig. 4. Serrez bien tous les joints avec les fixations illustrées.

Fig.4



## 5. FIXEZ LA NERVURE AVANT AUX NERVURES CENTRALES

- A. Avec l'aide d'une autre personne, placez la nervure avant à l'emplacement piqué.
- B. Placez la pièce ShelterLock (800372) sur le montant comme le montre la Fig. 5.
- C. À partir de l'extérieur de la nervure, insérez le boulon dans le montant, puis dans la pièce ShelterLock®.
- D. Alignez l'extrémité standard d'une traverse (11102) avec le boulon et logez-la dans la pièce ShelterLock®.  
*Répétez ces étapes pour chacune des nervures centrales.*
- E. Placez le contreventement sur la traverse. Serrez l'écrou sur le boulon.

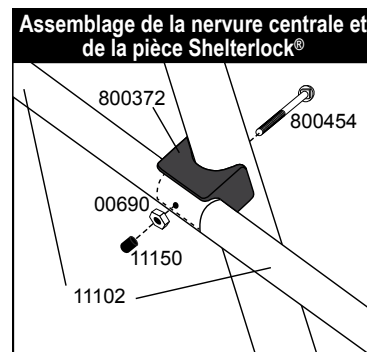
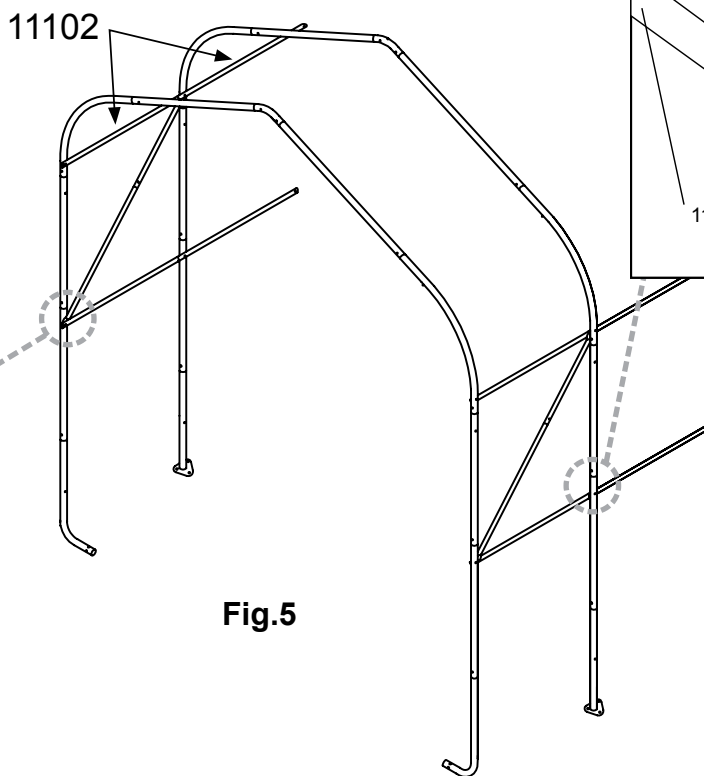
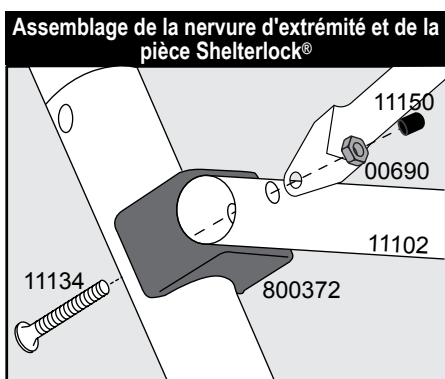
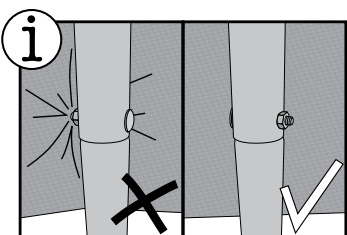
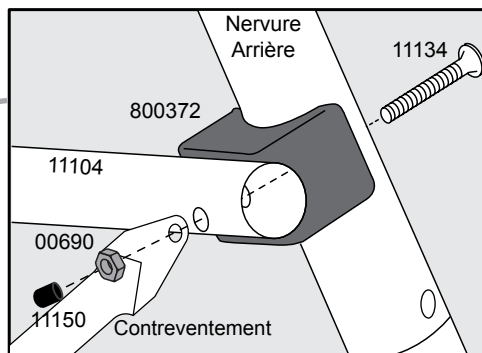
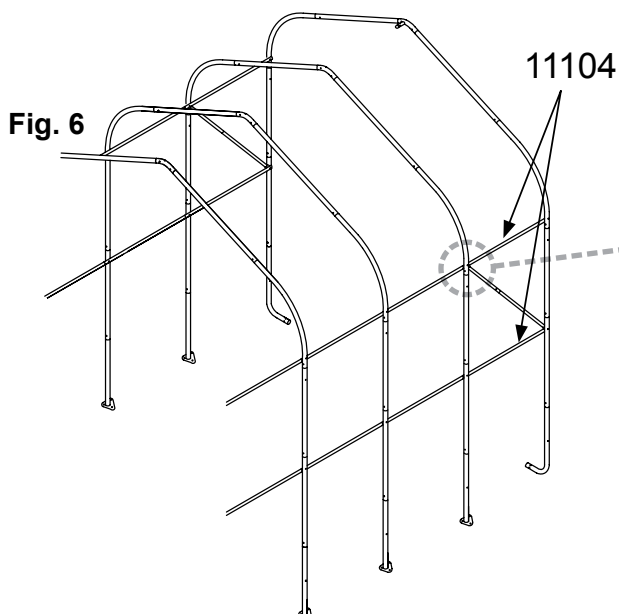


Fig. 5

## 6. FIXEZ LA NERVURE ARRIÈRE

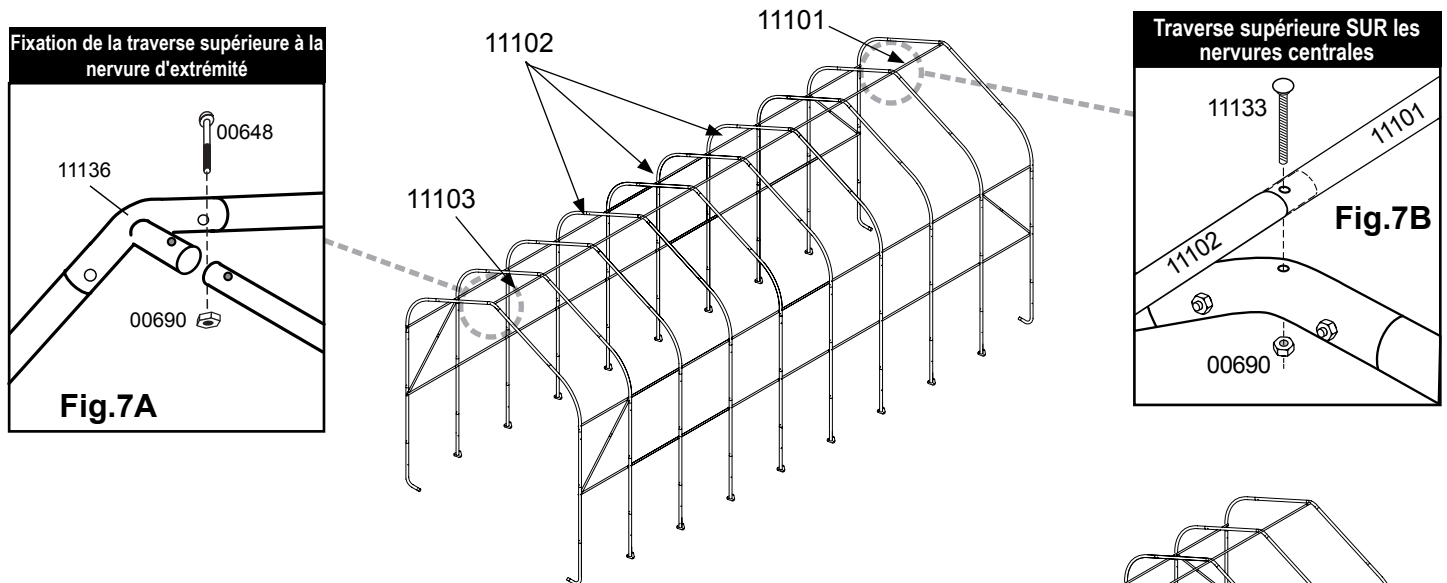
Les traverses de la dernière nervure comportent deux extrémités standard (11104).

Fixez le contreventement entre la nervure d'extrémité et la dernière nervure centrale comme le montre la Fig. 6.



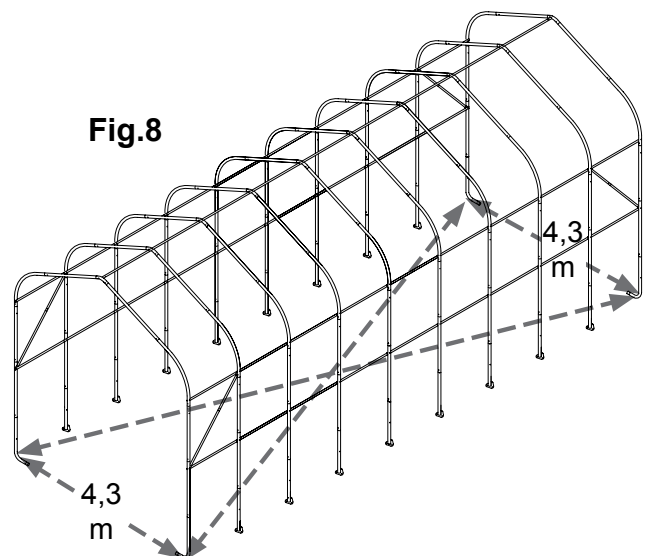
## 7. INSTALLEZ LA TRAVERSE SUPÉRIEURE

- Reliez la première traverse (11103) à la nervure avant et fixez-la avec un boulon de 2 po (00648) comme le montre la Fig. 7A. **Serrez ce boulon À LA MAIN.**
- Reliez les traverses centrales (11102) à la première traverse. Placez-les sur les nervures centrales et fixez-les avec un boulon à tête ronde (11133) comme le montre la Fig. 7B.
- Installez la traverse (11101) pour compléter l'assemblage de la traverse supérieure. Fixez-la à la nervure d'extrémité avec un boulon (00648) comme le montre la Fig. 7A.



## 8. METTEZ L'ARMATURE EN ÉQUERRE

- Placez l'armature à son emplacement définitif, dont la surface doit être aussi plane que possible.
- Mesurez la distance qui sépare les coins opposés (X et Y). **Cette distance doit être la même à 1 pouce près.**
- Assurez-vous que les sections avant et arrière de l'armature mesurent 4,3 m de largeur.

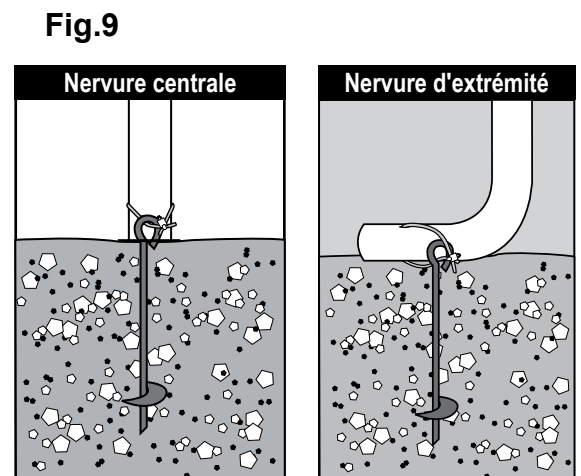


## 9. INSTALLEZ LES ANCRAGES À TARIÈRE

- Les ancrages doivent être placés à l'intérieur dans les coins de l'abri. Insérez un tuyau ou une tige d'acier de  $\frac{3}{4}$  po dans l'œillet de la tarière et vissez l'ancrage dans le sol jusqu'à ce que l'œillet dépasse du sol de 1 ou 2 pouces, afin de pouvoir fixer l'ancrage au pied.
- Faites passer le câble fourni dans l'œillet de l'ancrage, comme le montre l'illustration. Fixez le câble avec les brides fournies.

Si le sol est trop dur, creusez un trou à l'aide d'une pelle ou d'une bêche-tarière. Option : Remplissez le trou de ciment.

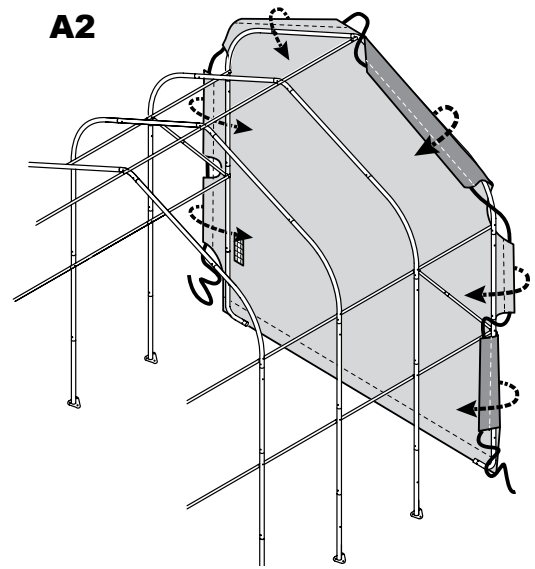
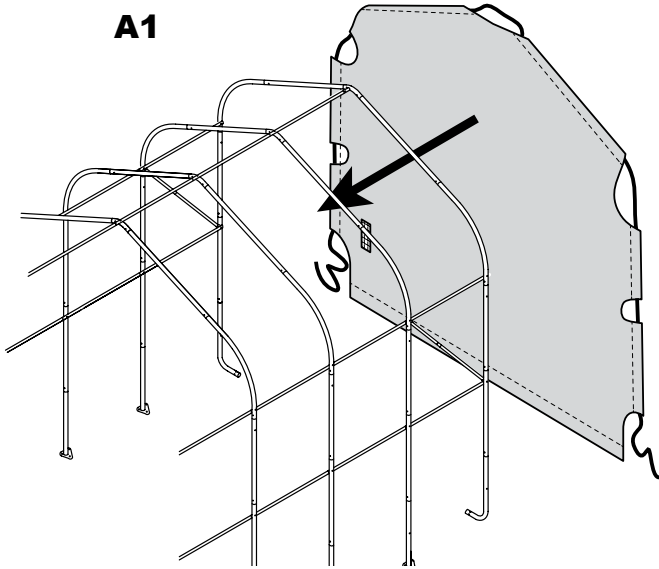
Pour un ancrage dans le gravier, l'argile ou l'asphalte, ShelterLogic® recommande d'utiliser les ancrages Easy Hook<sup>MC</sup>, soit un pour chaque pied de l'armature, afin d'obtenir une installation plus résistante et sécuritaire.



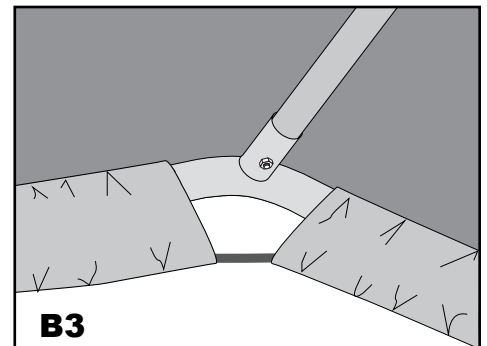
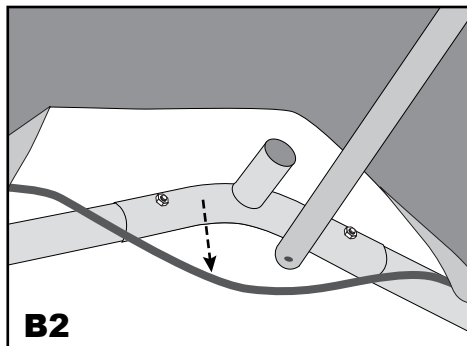
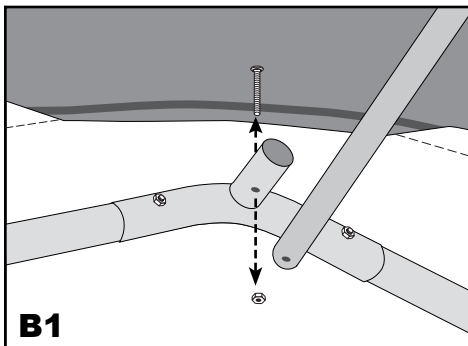


## 10. INSTALLER LE PANNEAU DE PORTE ET LE PANNEAU ARRIÈRE

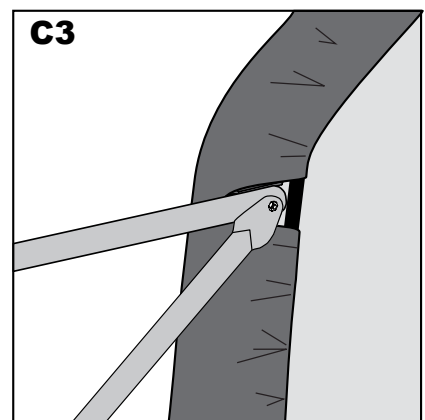
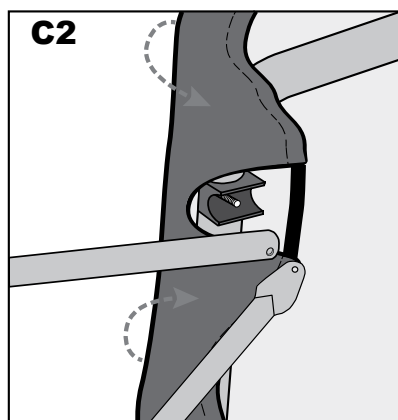
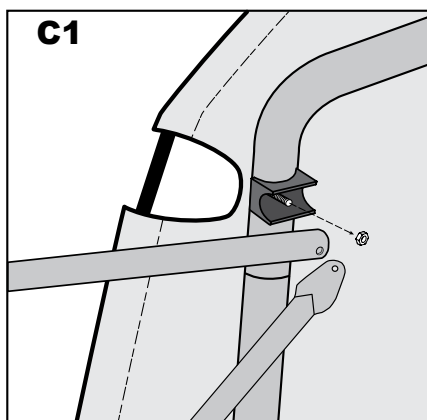
- A. (1) Placez le panneau d'extrémité au centre de la partie supérieure de l'abri en orientant la surface interne blanche vers l'intérieur de l'abri. (2) Faites passer le rebord du panneau en tissu autour de la nervure d'extrémité en aligner les rails latéraux dans les trous déjà découpés dans le tissu.



- B. (1) Débranchez le rail supérieur (tuyaux horizontaux allant de l'avant à l'arrière de la partie supérieure de l'abri) de la nervure d'extrémité. (2) Tirez sur le panneau d'extrémité dessus de l'extrémité thoracique et de l'insérer à travers les trous dans le tissu. (3) Rebranchez la traverse supérieure à la nervure d'extrémité.

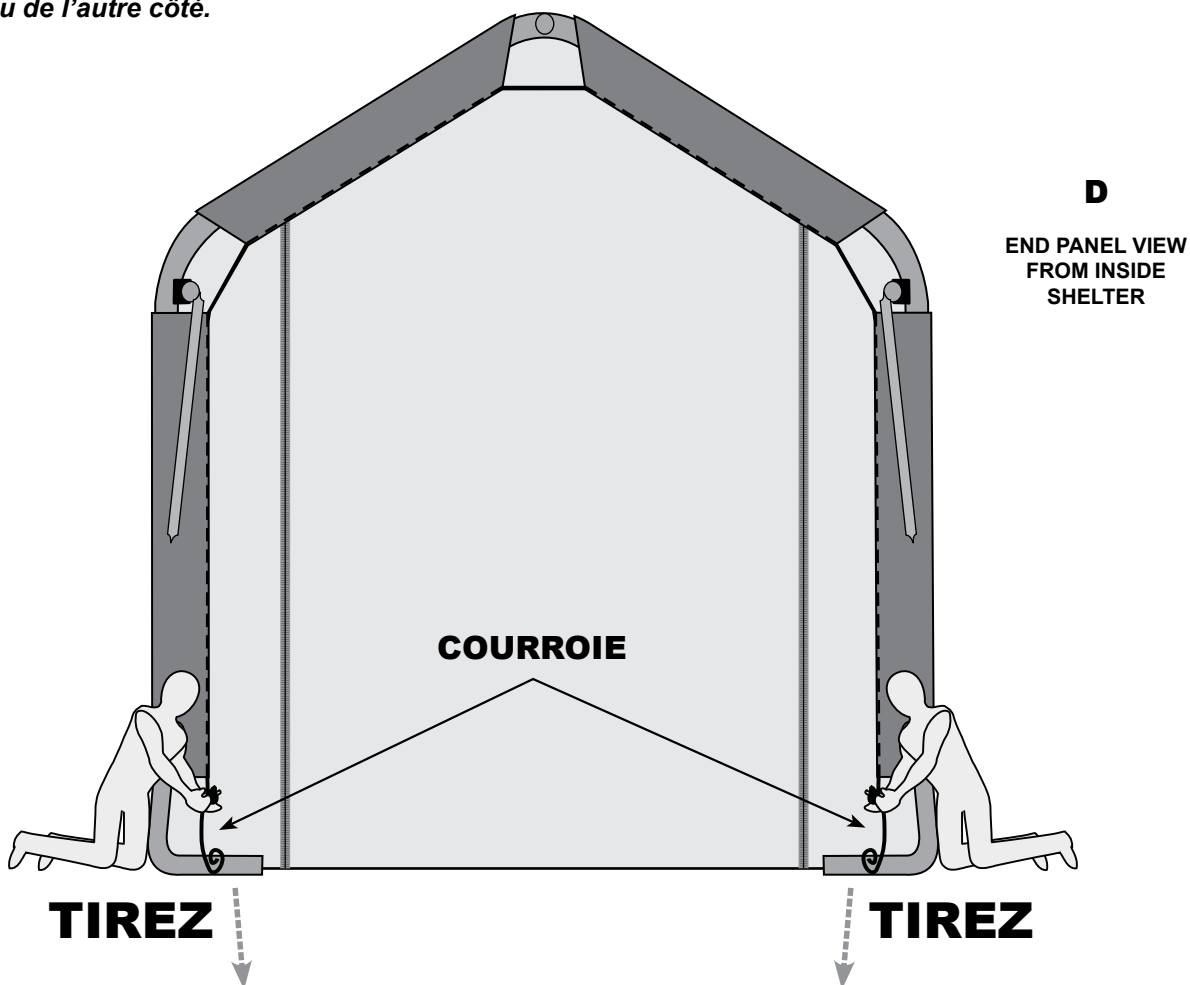


- C. (1) Débranchez les rails latéraux à la nervure d'extrémité. Laissez le ShelterLock® attachée la nervure avec le boulon. (2) Tirez sur le panneau d'extrémité dessus de l'extrémité thoracique et de l'insérer à travers les trous dans le tissu. (3) Rebranchez les rails latéraux à la nervure d'extrémité.



## 10. INSTALLER LE PANNEAU D'EXTRÉMITÉ - continue

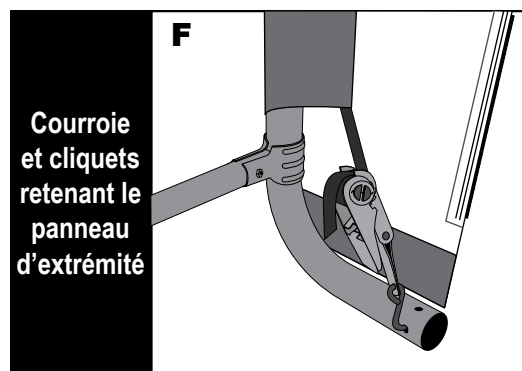
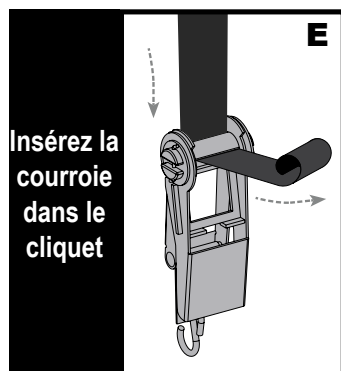
- D. Dans le bas, à l'endroit où la courroie dépasse du fourreau de chaque côté du panneau d'extrémité, tirez sur la courroie pour la tendre. **Lorsque vous tirez sur la courroie, faites attention pour ne pas la faire entrer dans le fourreau de l'autre côté.**



- E. Insérez le crochet en « S » de la bride à cliquet dans le trou pratiqué dans le montant recourbé. Insérez la courroie dans la bobine du cliquet et tirez sur la courroie. Actionnez le cliquet de sorte que la courroie se chevauche elle-même. **Centrez le panneau d'extrémité sur l'abri avant de le serrer définitivement.**

- F. Serrez les cliquets en alternant d'un côté à l'autre jusqu'à ce que le panneau d'extrémité soit bien tendu.

**REMARQUE:** Laissez les glissières fermées pendant que vous serrez les panneaux de porte.



## 11. INSTALLEZ LA TOILE SUR L'ARMATURE

**A.** Étalez la toile sur le sol à côté de l'armature en plaçant l'intérieur de la toile (côté avec les fourreaux pour tuyaux) vers le bas et les courroies avant et arrière vers les coins de l'abri. Centrez la toile entre l'avant et l'arrière de l'armature (fig. 11A).

**B.** Repliez le côté le plus proche de l'armature, de sorte que le fourreau pour tuyau soit accessible. Insérez un tuyau de toile à la première nervure centrale à partir de l'avant et à la première nervure centrale à partir de l'arrière, de sorte que les deux extrémités du tuyau soient insérées dans le fourreau et que le centre du tuyau soit exposé. Pour un abri allongé, il pourrait s'avérer nécessaire d'utiliser des tuyaux additionnels au centre (fig. 11B).

**C.** Fixez une corde à chaque tuyau exposé, puis lancez l'autre extrémité de chaque corde par-dessus l'armature (fig. 11C).

**D.** Allez de l'autre côté de l'armature et placez la toile sur l'armature en tirant sur les cordes. Cette opération peut nécessiter deux personnes ou plus (fig. 11D).

PANNEAUX  
D'EXTRÉMITÉ  
NON ILLUSTRÉS

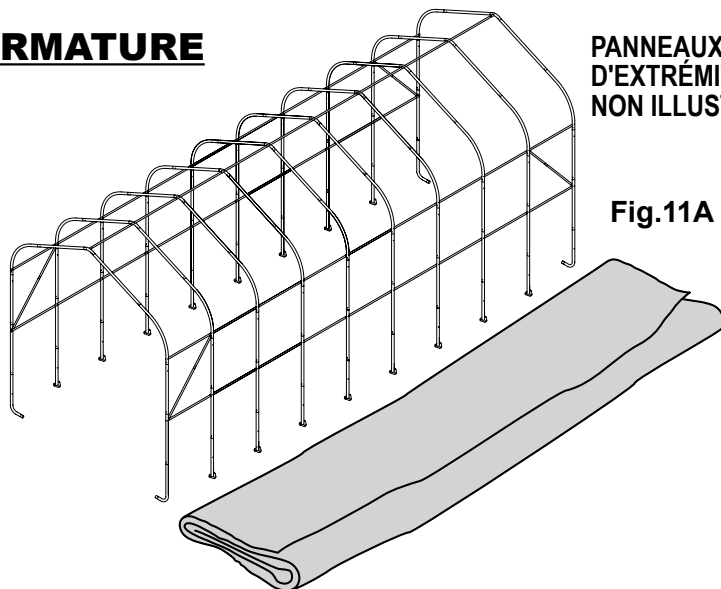


Fig.11A

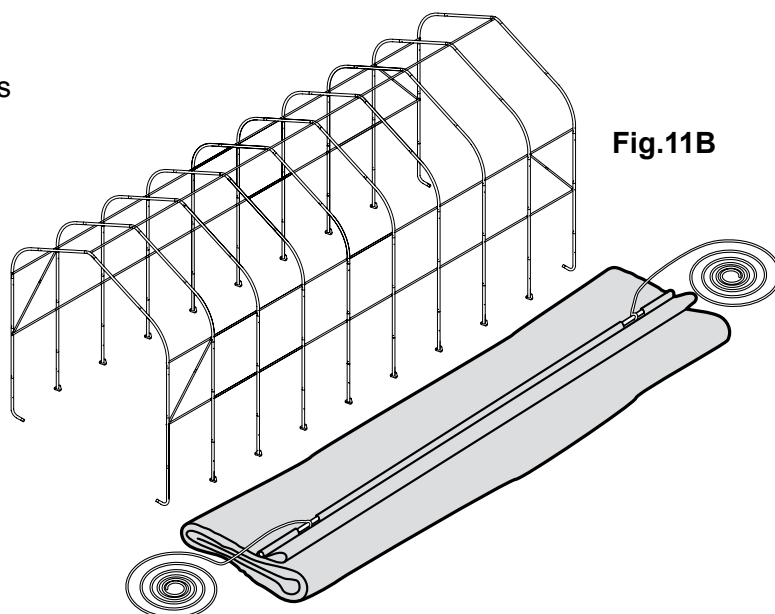


Fig.11B

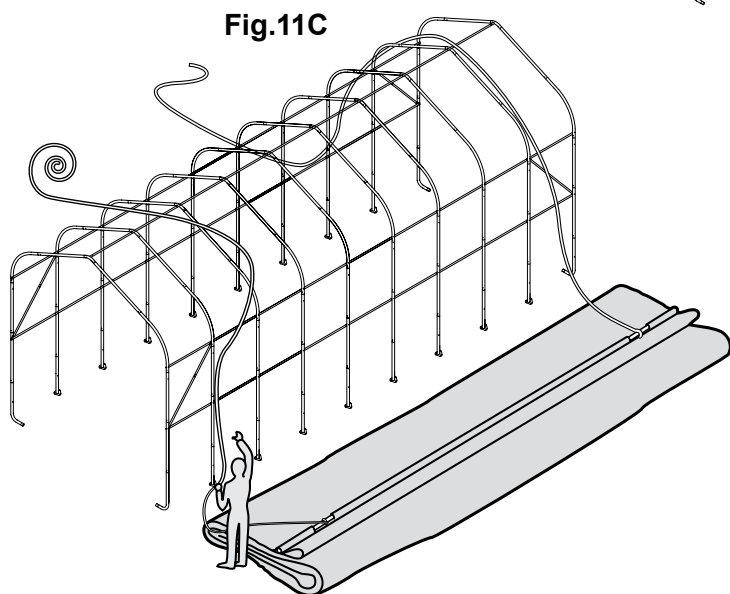


Fig.11C

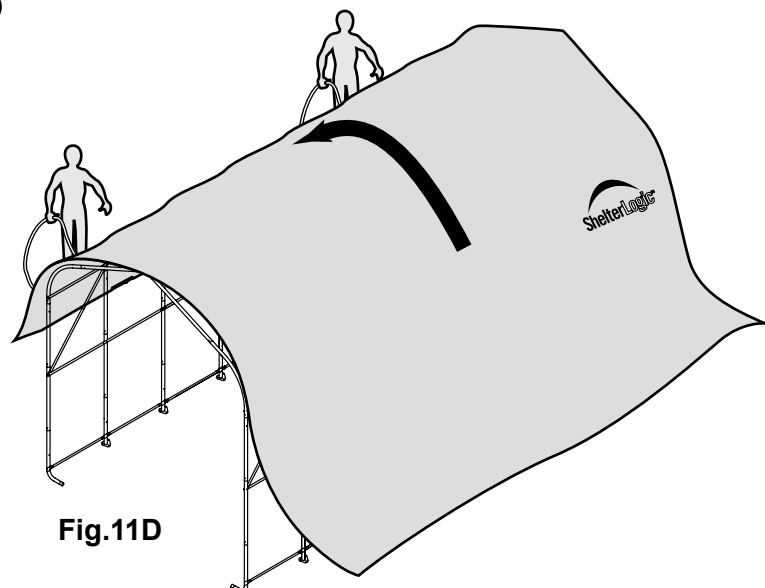


Fig.11D

### REMARQUE: ASSUREZ-VOUS QUE LA TOILE EST PLACÉE CORRECTEMENT SUR L'ARMATURE.

*Le logo ShelterLogic® doit être aligné avec les coins avant gauche et arrière droit près du rail supérieur. Si le logo n'est pas bien visible, la toile n'est pas placée correctement sur l'armature.*

## 12. INSTALLEZ LA TOILE ET LES RAILS DE TOILE

- A. Assurez-vous de bien centrer la toile sur l'armature. La toile doit dépasser également aux quatre coins.
- B. Insérez le crochet en « S » du cliquet dans le trou pratiqué dans le montant recourbé. Insérez la courroie dans la bobine du cliquet et tirez sur la courroie. Actionnez le cliquet de sorte que la courroie se chevauche elle-même.
- C. Glissez-y les rails de toile (11105) les fourreaux en tissu à chaque pied, puis fixez-les avec une bride à chaque pied. Répétez cette étape de l'autre côté. Appuyez sur les rails de toile pour tendre la toile avant de serrer complètement les boulons.
- D. Vérifiez les cliquets et les rails de toile chaque mois pour vous assurer que la toile est bien tendue.

**REMARQUE:** Le logo **ShelterLogic®** doit être orienté comme le montre l'illustration ci-dessous.

