

WA52M8650AV

SAMSUNG

Samsung activewash™ Top-Load Washer

5.2 cu. ft. Capacity DOE



Signature Features

activewash™

- Built-in sink for pretreatment.

Super Speed


- Wash a full load in as little as 36 minutes – 35% faster.*

*Normal 59-minute wash can now be completed in as little as up to 36 minutes as compared to WF42H5200 washer without Super Speed. Based on DOE standard's average of 7.5 loads per week.

VRT Plus™ Technology

- Reduces vibration 40% more than standard VRT™ for quiet washing.

Available Colors

 Black Stainless Steel (shown)

 White



activewash™



Super Speed

Features

- activewash™
- Super Speed
- VRT Plus™ Technology
- 5.2 cu. ft. Capacity
- Self Clean
- Smart Care
- Integrated Controls
- Swirl Interior Drum Design
- EZ Drawer Dispenser
- 800 RPM Maximum Spin Speed
- Stainless Steel Pulsator
- Direct Drive Motor
- 12 Preset Wash Cycles
- 9 Options

- LED Display: Ice Blue
- Door Lid: Chrome Deco Transparent Curved Glass
- Soft-Close Lid

Convenience

- Child Lock
- Delay End
- Dispenser Trays: Main Wash, Softener, Bleach (Manual)

Rating



ENERGY STAR®-rated
IMEF = 2.06
IWF = 4.30
125 kWh/yr

WA52M8650AV

SAMSUNG

Samsung activewash™ Top-Load Washer

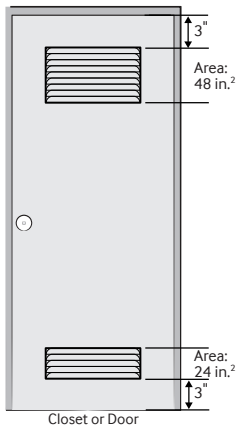
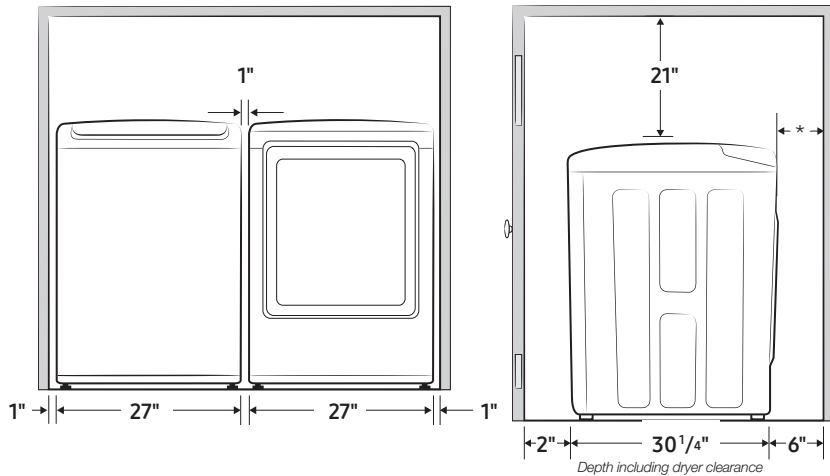
5.2 cu. ft. Capacity DOE

Installation Specifications

Alcove or closet installation

Recessed Area

Side View Confined



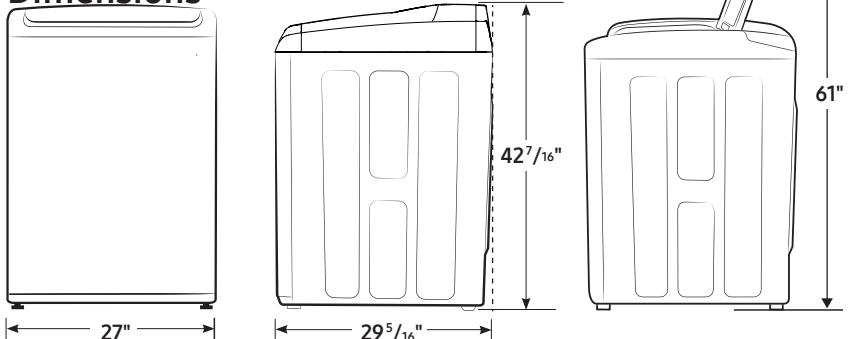
Minimum clearances for closets and alcoves:

Sides – 1"
Top – 21"
Rear – 6"
Closet Front – 2"

If the washer and dryer are installed together, the closet front must have at least a 72-inch² unobstructed air opening. Your washer alone does not require a specific air opening.

*Required spacing (External exhaust elbow may require additional space.)

Dimensions



12 Preset Wash Cycles:

Normal, Super Speed, Bedding/WaterProof, Heavy Duty, Permanent Press, Brilliant Whites, Active Wear, Delicates/Hand Wash, Quick Wash, Rinse and Spin, Spin Only, Deep Wash

9 Options:

Self Clean, Delay End, My Cycle, Pre Soak, Extra Rinse, Sound On/Off, Child Lock, Smart Care, Eco Plus

5 Temperature Settings:

Hot, Warm, Eco Warm, Cold, Cool

4 Spin Settings:

High, Medium, Low, No Spin

3 Soil Settings:

Heavy, Normal, Light

2 Sound Level Settings:

On/Off

Dispenser Trays:

Main Wash, Softener, Bleach (Manual)

Warranty

One (1) Year Parts and Labor
Three (3) Years Stainless Steel Tub (Part Only)
Ten (10) Years Direct Drive Motor (Part Only)

Product Dimensions & Weight (WxHxD)

Dimensions: 27" x 42⁷/₁₆" x 29⁵/₁₆"
Weight: 136.7 lbs

Shipping Dimensions & Weight (WxHxD)

Dimensions: 29⁹/₁₆" x 45¹¹/₁₆" x 31¹/₁₆"
Weight: 145.5 lbs

Color	Model #	UPC Code
Black Stainless Steel	WA52M8650AV	887276196442
White	WA52M8650AW	887276196459

Matching Dryer (Electric/Gas)

Black Stainless Steel	DVE52M8650V	887276196879
White	DVE52M8650W	887276196992
Black Stainless Steel	DVG52M8650V	887276196909
White	DVG52M8650W	887276196916