

WV55M9600AV

SAMSUNG

Samsung FlexWash™ Washer

4.5 + 1.0 cu. ft. Total Capacity DOE



Signature Features

FlexWash™

- Two washers in one lets you wash separate loads at the same time.

5.5 cu. ft. Total Capacity

- 4.5 + 1.0 cu. ft. upper and lower washers mean fewer washes, less time in the laundry room.

Steam Wash (Lower Washer)

- Uses the power of steam to remove stains without pretreatment.

Available Colors



Black Stainless Steel (shown)



White



FlexWash™



4.5 cu. ft. + 1.0 cu. ft. Capacity

Lower Wash Features

- Steam Wash
- Wi-Fi Connectivity
- VRT Plus™ Technology
- Self Clean+
- Smart Care
- Diamond Drum Design
- 1300 RPM Maximum Spin Speed
- Stainless Steel Drum
- Direct Drive Motor

Convenience

- Child Lock
- Door Lock
- Dispenser Trays: Main Wash, Softener, Bleach

Rating



ENERGY STAR®-rated
CEE Tier 2
IMEF = 2.92
IWF = 2.90
105 kWh/yr

Upper Wash Features

- VRT™ – Vibration Reduction Technology
- Wi-Fi Connectivity
- Self Clean
- Smart Care
- 800 RPM Maximum Spin Speed
- Stainless Steel Tub
- Direct Drive Motor

Convenience

- Child Lock
- Door Lock
- Dispenser Trays: Softener, Bleach
- Aqua Pebble Detergent Pod

Rating

IMEF = 1.15
IWF = 12.00
60 kWh/yr

WV55M9600AV

SAMSUNG

Samsung FlexWash™ Washer

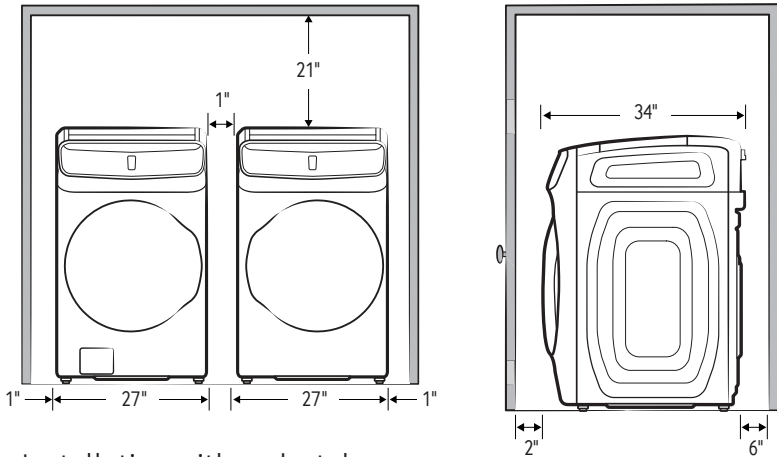
4.5 + 1.0 cu. ft. Total Capacity DOE

Installation Specifications

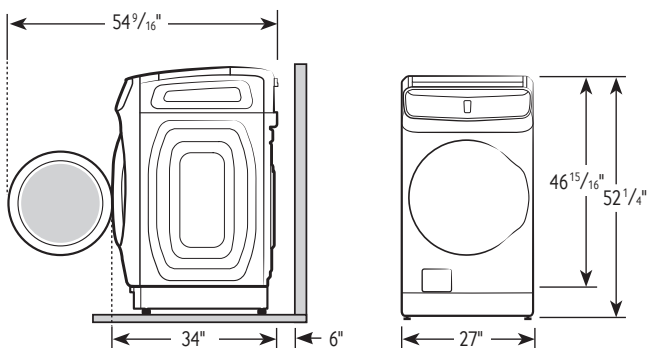
If the washer and dryer are installed together or the dryer alone, the closet front must have two unobstructed air openings for a combined minimum total area of 72-inch.² Your washer alone does not require a specific air opening.

Alcove or closet installation

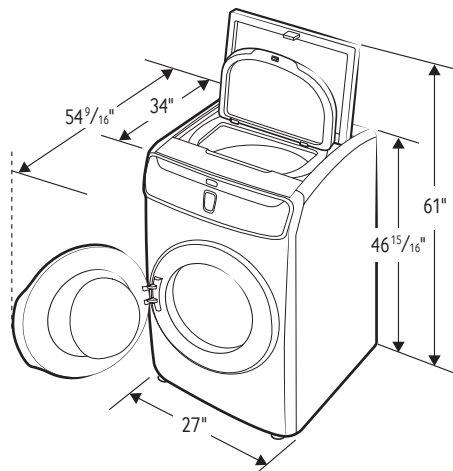
Minimum Clearance for Closet and Alcove Installations:



Installation with pedestal



Dimensions



4.5 cu. ft. Capacity Lower Washer

9 Preset Wash Cycles:

Normal, Heavy Duty, Permanent Press, Sanitize, Bedding, Whites, Delicates, Quick Wash, Rinse + Spin

10 Options:

Steam, Self Clean+, Delay End, Pre Soak, Extra Rinse, Spin Only, Smart Control, Smart Care, Child Lock, Sound

5 Temperature Settings:

Extra Hot, Hot, Warm, Cool, Cold

4 Spin Settings:

High, Medium, Low, No Spin

3 Soil Settings:

Heavy, Normal, Light

Dispenser Trays:

Main Wash, Softener, Bleach

1.0 cu. ft. Capacity Upper Washer

5 Preset Wash Cycles:

Normal, Active Wear, Delicates, Rinse + Spin, Spin Only

7 Options:

Cold/Warm Water Temp, Extra Rinse, Self Clean, Smart Control, Sound, Child Lock, Smart Care

Dispenser Trays: Softener, Bleach

Warranty

One (1) Year Parts and Labor
Three (3) Years Stainless Steel Drum (Part Only)
Ten (10) Years Direct Drive Motor (Part Only)

Product Dimensions & Weight (WxHxD)

Dimensions: 27" x 46 15/16" x 34"

Weight: 293 lbs

Shipping Dimensions & Weight (WxHxD)

Dimensions: 29 9/16" x 51 7/16" x 36 1/16"

Weight: 304 lbs

Color

Color	Model #	UPC Code
Black Stainless Steel	WV55M9600AV	887276196923
White	WV55M9600AW	887276196930

Model

UPC Code

Matching Dryer (Electric/Gas)

Black Stainless Steel	DVE55M9600V	887276197531
White	DVE55M9600W	887276197555
Black Stainless Steel	DVG55M9600V	887276197593
White	DVG55M9600W	887276197609