

# NX58H5600SS

5.8 cu. ft. Freestanding Gas Range with Convection

## Features

- 5 Gas Burners
  - Right Front: 17K BTU
  - Left Front: 15K BTU
  - Right Rear: 5K BTU
  - Left Rear: 9.5K BTU
  - Center: 9.5K BTU (Oval with Griddle)
- Large Oven Capacity – 5.8 cu. ft.
- Cast Iron 3 Piece Grates
- Griddle
- Convection Oven
- Storage Drawer
- Grate Indicator Marks

## Convenience

- Auto Oven Light
- Auto Shut-Off Option
- Proofing
- Sabbath Mode
- Delay Start
- Child Safety Lock
- Self Clean
- 4 Easy Cook Presets
- 2 Chrome Oven Racks



Versatile Cooktop



Convection Oven

## Available Colors



Stainless Steel (shown)



Black Stainless Steel



White



Black

## Signature Features

### CONVECTION OVEN

- Saves up to 30% more time than conventional ovens.
- Fan system circulates heat to distribute thoroughly so food cooks evenly.

### 5.8 CU. FT. CAPACITY

- Cook a big roast, multiple casserole dishes or several racks of cookies at once.
- Two oven racks let you prepare enough food for large gatherings.

### GRIDDLE

- Cook a variety of breakfast foods or grilled sandwiches at once on the removable stovetop griddle.
- Griddle is included with purchase.

### FLEXIBLE COOKTOP

- Cook on 5 specialized burners simultaneously.
- Oval burner used for oversized pots and pans.

**SAMSUNG**

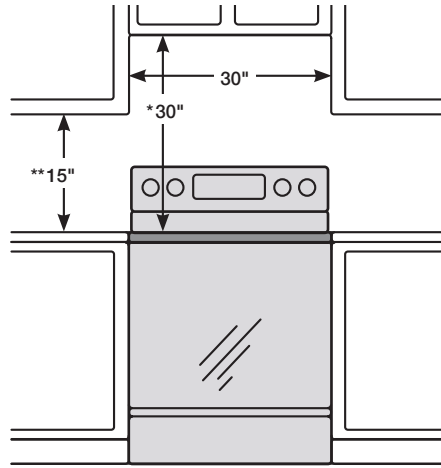
# NX58H5600SS

5.8 cu. ft. Freestanding Gas Range with Convection

## Installing Your Range

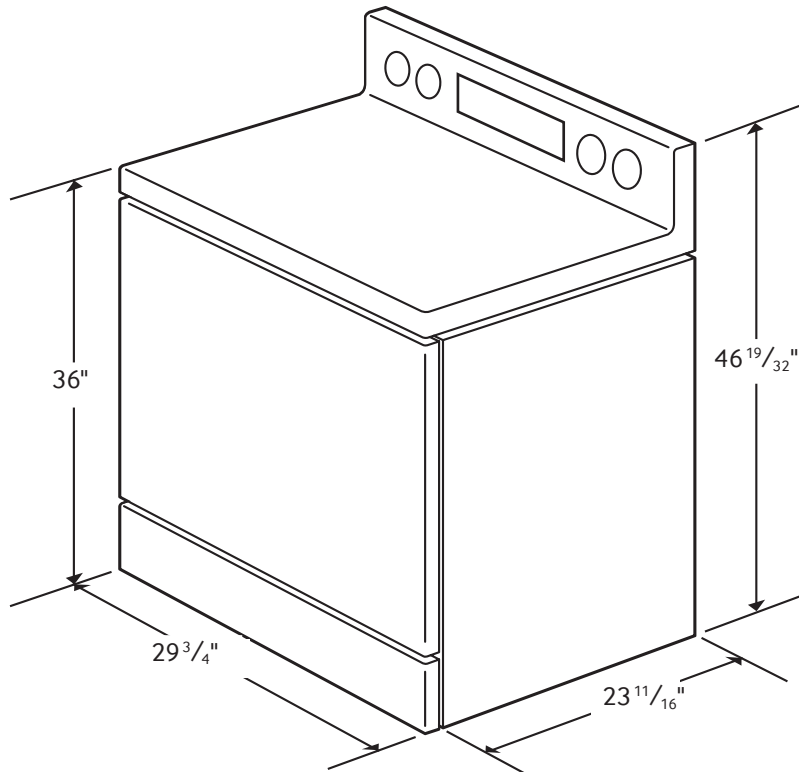
\*30" minimum clearance between the top of the cooking surface and the bottom of an unprotected wood or metal cabinet; or 24" minimum when the bottom of the wood or metal cabinet is protected by not less than 1/4" flame retardant millboard covered with not less than no.28 MSG sheet steel, 0.015" stainless steel, 0.024" aluminum or 0.020" copper.

\*\*15" minimum between the countertop and the adjacent cabinet bottom.



**IMPORTANT:** To eliminate the risk of burns or fire caused by reaching over heated surface units, cabinet storage space located above the surface units should be avoided. If cabinet storage is to be provided, the risk can be reduced by installing a range hood that projects horizontally a minimum of 5" beyond the bottom of the cabinets.

## Dimensions



## Total Power (BTU)

56,000 BTU

## Power Source

120 V/60 Hz

## Black Enamel 5 Burner Cooktop

- Right Front: 17000 BTU
- Left Front: 15000 BTU
- Right Rear: 5000 BTU
- Left Rear: 9500 BTU
- Center Rear: 9500 BTU (Oval with Cast Iron Griddle)

## Oven

- Bake: 150°F - 550°F
- Convection Bake: 150°F - 550°F
- Bake Burner: 18000 BTU
- Broil Burner: 13500 BTU
- Convection Roast: 150°F - 550°F
- Proofing
- Sabbath Mode

## Storage Drawer

Capacity: 0.7 cu. ft.

## Warranty

One (1) Year All Parts and Labor  
Five (5) Years Gas Cooktop

## Product Dimensions & Weight (WxHxD)

Actual Oven Dimensions:

25" x 19" x 21 1/8"

Outside Net Dimensions:

29 3/4" x 46 19/32" x 23 11/16"

Weight: 200 lbs.

## Shipping Dimensions & Weight (WxHxD)

Dimensions:

32 7/8" x 50 9/16" x 30 1/8"

Weight: 216 lbs.

Color	Model #	UPC Code
Stainless Steel	NX58H5600SS	887276977423
Black Stainless	NX58J5600SG	887276112572
White	NX58M5600SW	887276243108
Black	NX58M5600SB	887276243092

**SAMSUNG**

Actual color may vary. Design, specifications, and color availability are subject to change without notice. Non-metric weights and measurements are approximate.

©2017 Samsung Electronics America, Inc. 85 Challenger Road, Ridgefield Park, NJ 07660. Tel: 800-SAMSUNG. samsung.com. Samsung is a registered trademark of Samsung Electronics Co. Ltd.